



US00D337675S

# United States Patent [19]

[11] Patent Number: **Des. 337,675**

**Koguma**

[45] Date of Patent: **\*\* Jul. 27, 1993**

- [54] **DESK**
- [75] Inventor: **Seiji Koguma, Warabi, Japan**
- [73] Assignee: **Okamura Corporation, Yokoham, Japan**
- [\*\*] Term: **14 Years**
- [21] Appl. No.: **438,214**
- [22] Filed: **Nov. 16, 1989**
- [30] **Foreign Application Priority Data**  
 Sep. 1, 1989 [JP] Japan ..... 1-31693
- [52] U.S. Cl. .... **D6/484; D6/422; D6/429**
- [58] Field of Search ..... **D6/396, 407, 422, 429, D6/432, 440, 484; 211/126; 312/194, 195, 258; 108/27, 50, 25; 217/5, 56, 59**

- 3,758,182 9/1973 Barecki et al. .... 312/194
- 4,884,513 12/1989 Newhouse et al. .... 312/195

### FOREIGN PATENT DOCUMENTS

- 264147 1/1989 Fed. Rep. of Germany ..... 312/144
- 56-6474 9/1981 Japan .
- 595430 11/1982 Japan .
- 665176 8/1985 Japan .

*Primary Examiner*—Alan P. Douglas  
*Assistant Examiner*—Monica A. Hannon  
*Attorney, Agent, or Firm*—Lackenback, Siegel, Marzullo

### [57] CLAIM

The ornamental design for a desk, as shown and described.

### DESCRIPTION

FIG. 1 is a front elevational view of a desk the rear being identical, showing my new design;  
 FIG. 2 is a top plan view thereof;  
 FIG. 3 is a side elevational view, the opposite side being identical thereof;  
 FIG. 4 is a bottom plan view thereof; and,  
 FIG. 5 is a front perspective view thereof.  
 FIG. 5 is drawn on an enlarged scale with respect of FIG. 1.

- [56] **References Cited**  
**U.S. PATENT DOCUMENTS**  
 D. 284,532 7/1986 Vogt ..... D6/722 X  
 D. 311,833 11/1990 Newhouse ..... D6/422 X  
 D. 312,541 12/1990 Wright ..... D6/422 X  
 D. 312,928 12/1990 Scheffers ..... D6/429  
 3,290,108 12/1966 Beckman et al. .... 312/281

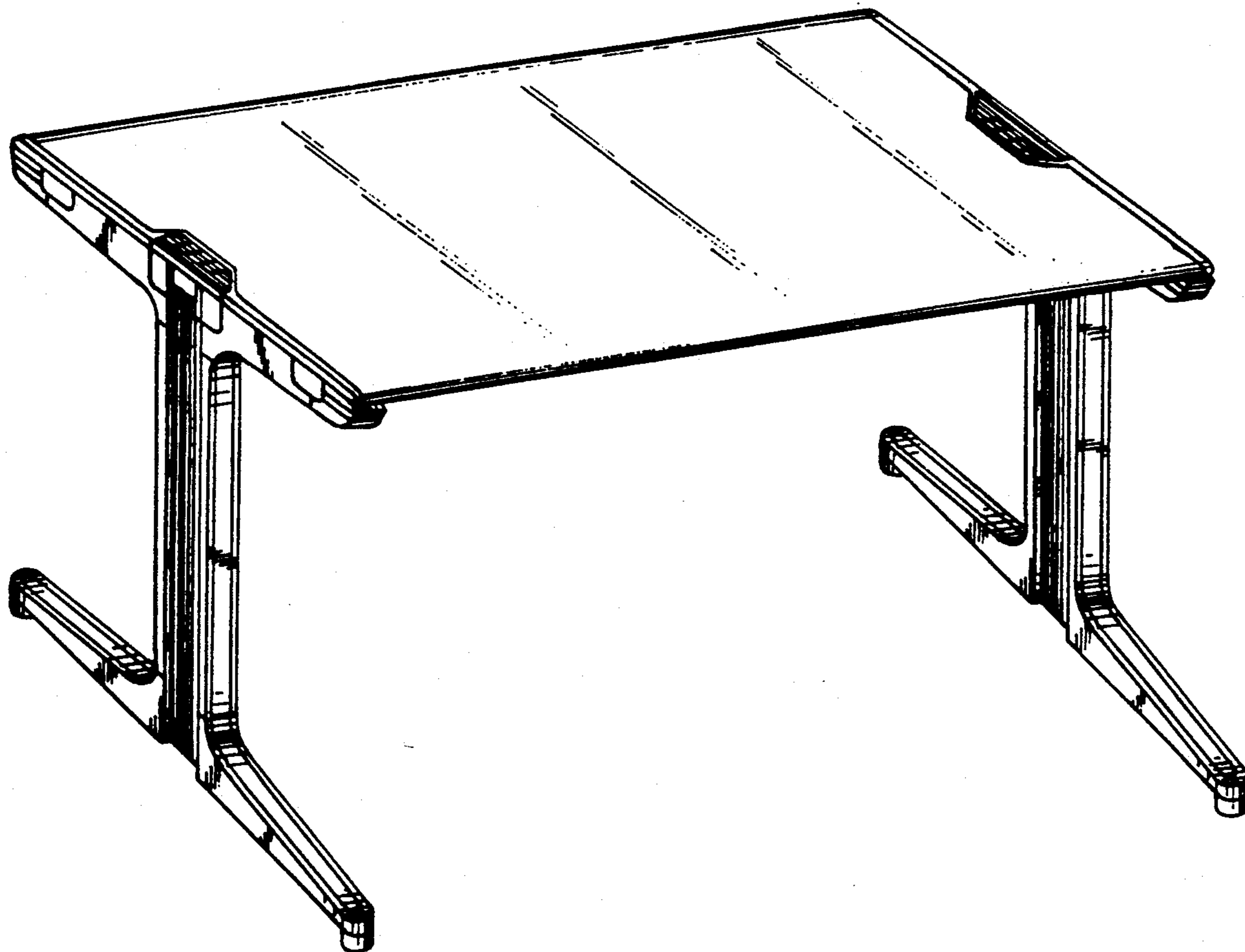


FIG. 1

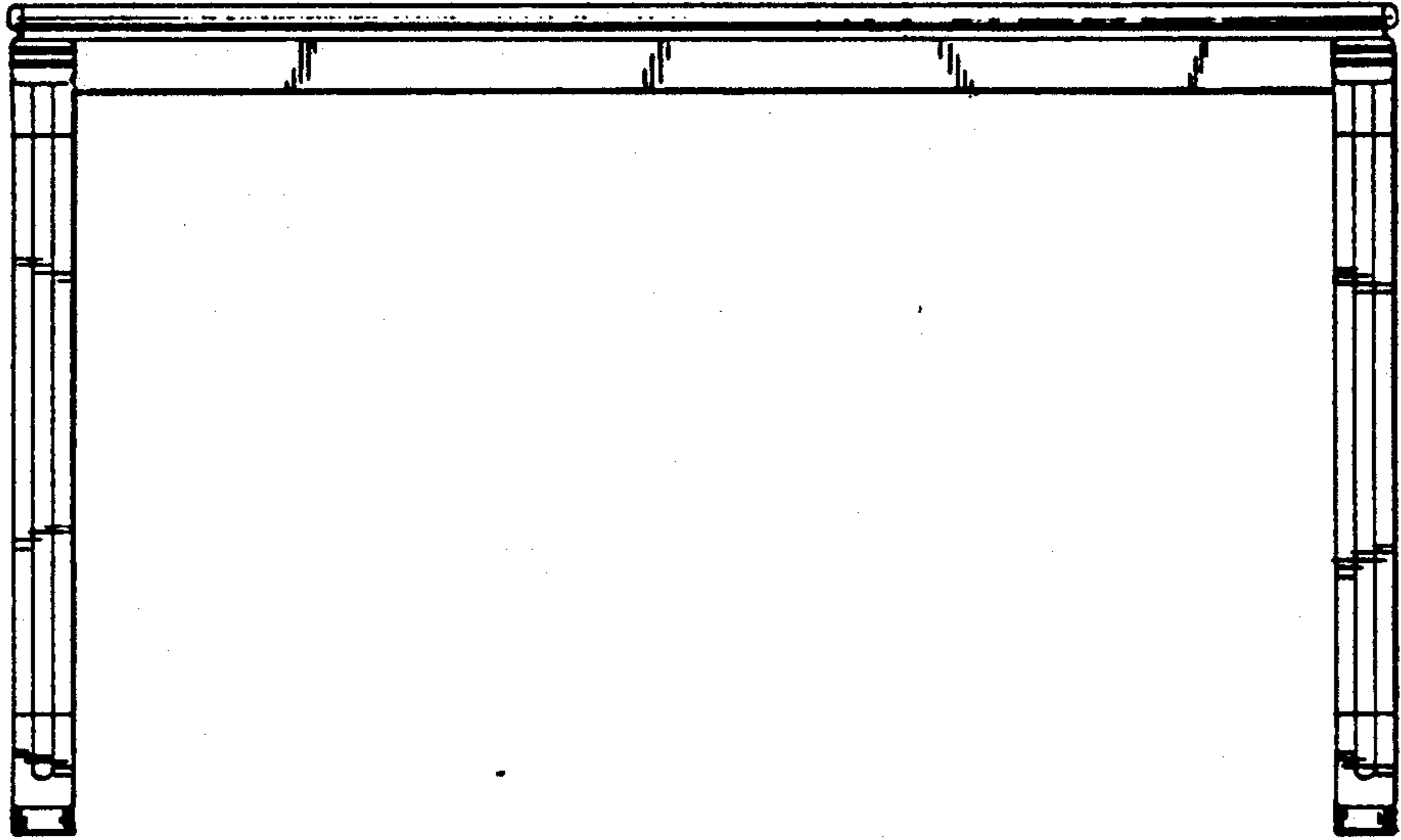


FIG. 2

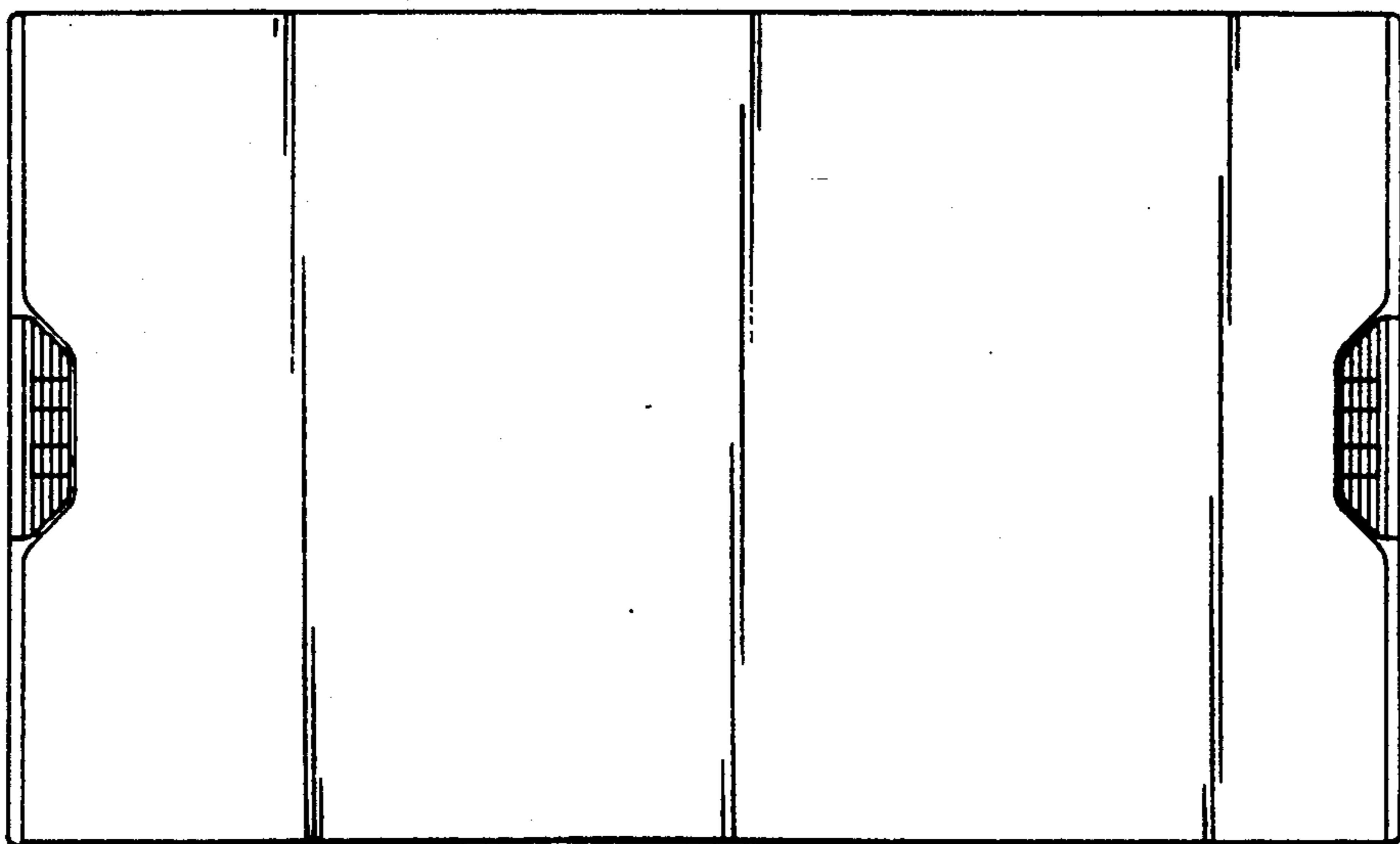


FIG. 3

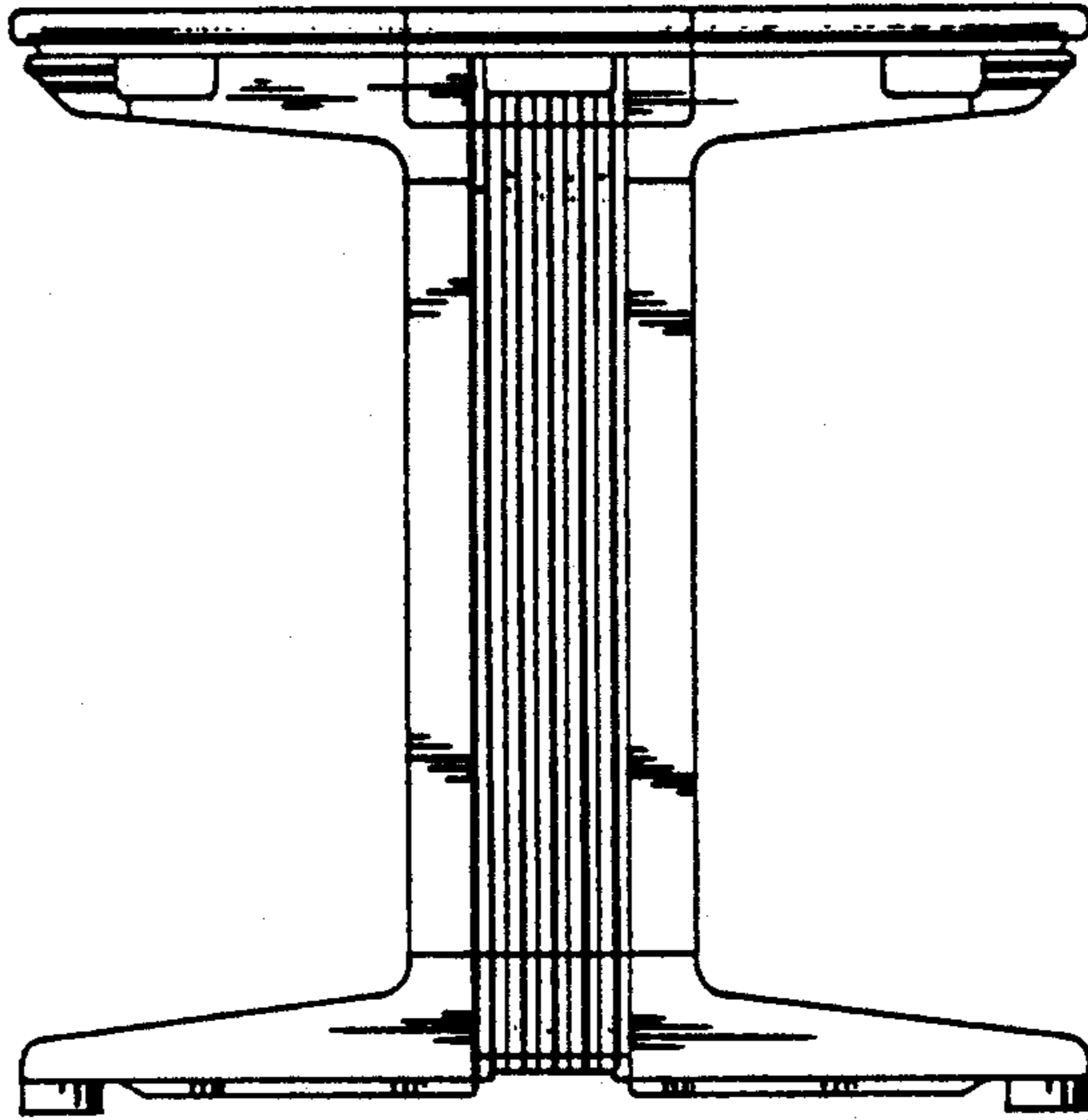
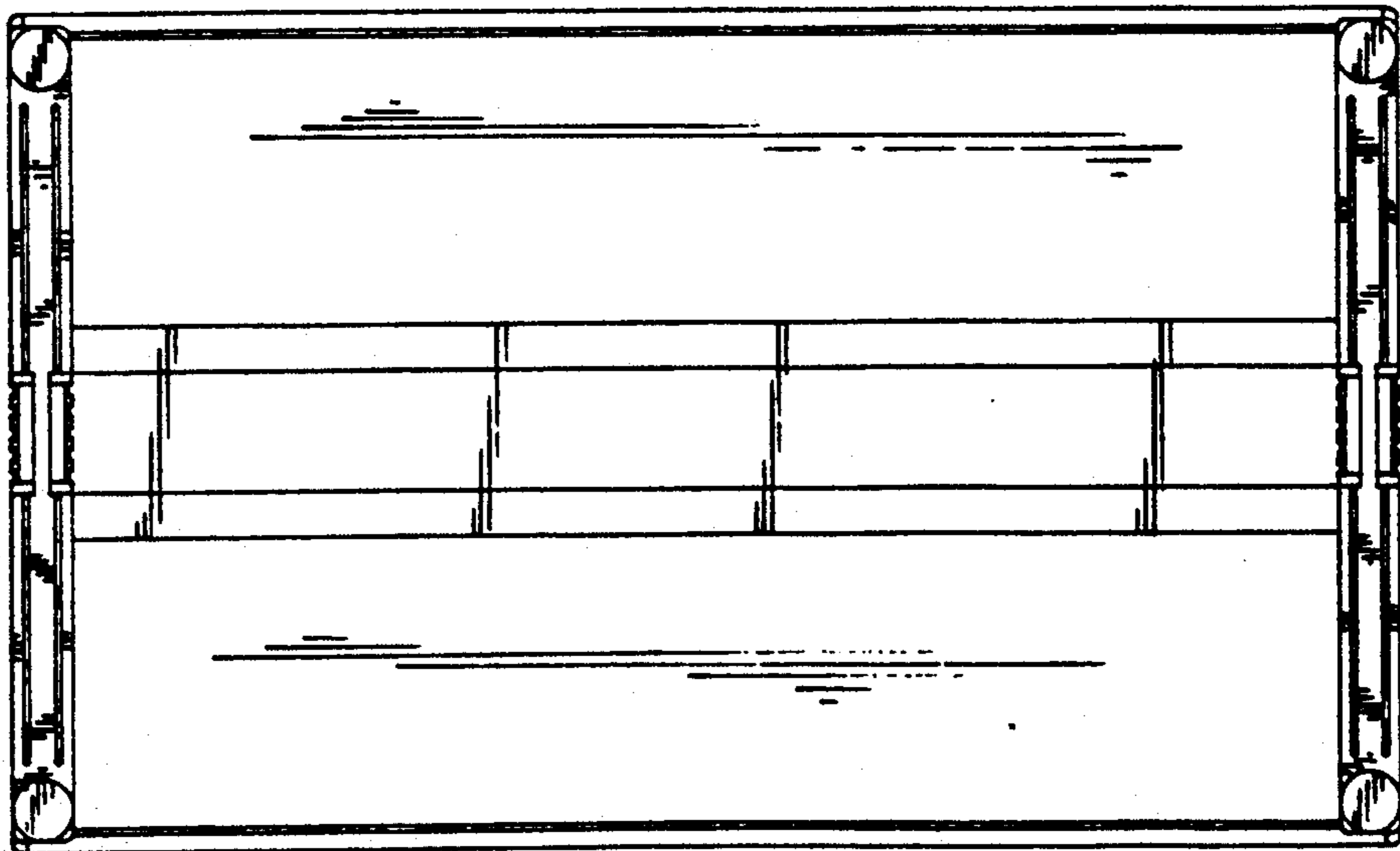


FIG. 4



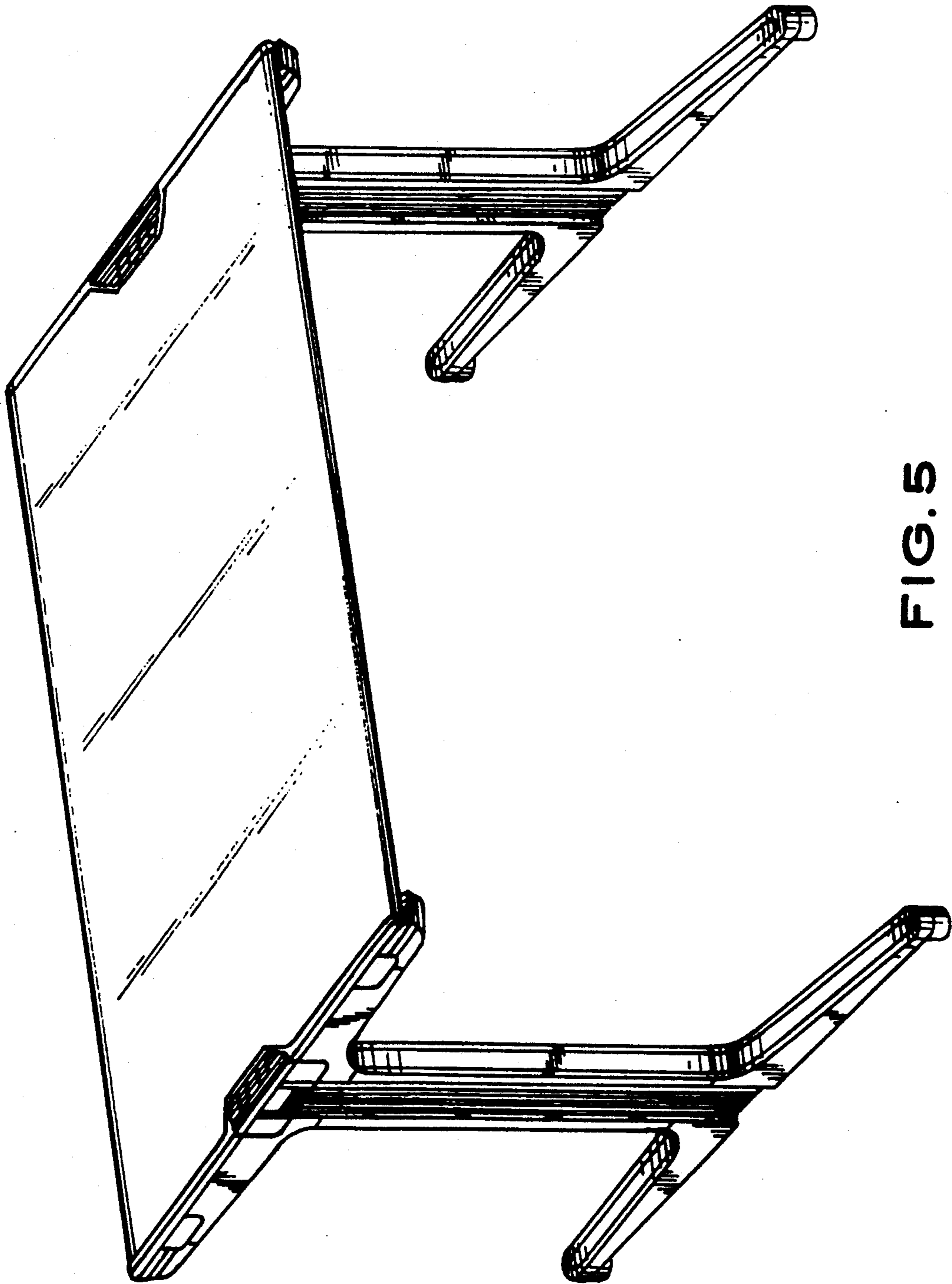


FIG. 5