



US00D337674S

United States Patent [19]

[11] Patent Number: Des. 337,674

Ozawa

[45] Date of Patent: ** Jul. 27, 1993

[54] DISPLAY PARTITION

[76] Inventor: **Kenzo Ozawa**, 1-4-15-714
Seishin-cho, Edogawa-ku, Tokyo,
Japan

[**] Term: **14 Years**

[21] Appl. No.: **499,673**

[22] Filed: **Mar. 27, 1990**

[52] U.S. Cl. **D6/475; D6/509**

[58] Field of Search **D6/396, 397, 407, 410,
D6/411, 449, 455, 462, 464, 465, 466, 476, 475,
467, 509-511; D9/456; 211/86, 184, 13**

[56] References Cited

U.S. PATENT DOCUMENTS

D. 148,538	2/1948	Henkel	D6/466
D. 152,192	3/1949	Hoffman	D6/465 X
D. 157,000	1/1950	Rehns	D6/570
D. 190,501	6/1961	von Meyer	D6/407
D. 206,277	11/1966	Groff	D6/475
D. 289,115	4/1987	Spicer	D6/449 X
D. 290,201	6/1987	Wilder	D6/407 X
D. 298,413	11/1988	Raudat	D9/456
2,572,090	10/1951	Allen	211/184 X
3,171,542	3/1965	Jacobs et al.	211/184 X

OTHER PUBLICATIONS

Lozier Store Fixtures Catalog, dividers bottom of p. 609.

Darling Displays Catalog, item L-1, Plastic Glove Tray, p. 43.

Primary Examiner—Donald P. Walsh

Assistant Examiner—Jeffrey Asch

[57] CLAIM

The ornamental design for a display partition, as shown and described.

DESCRIPTION

FIG. 1 is a front elevational view of a display partition showing my new design, the rear being a mirror image thereof;

FIG. 2 is a right side elevational view, the left side being a mirror image thereof;

FIG. 3 is a top plan view thereof;

FIG. 4 is a bottom plan view thereof;

FIG. 5 is a cross-sectional view taken along line V—V of FIG. 1; and,

FIG. 6 is a perspective view thereof, the showing of a shelf, a second partition, and displayed articles by means of broken lines being for illustrative purposes only.

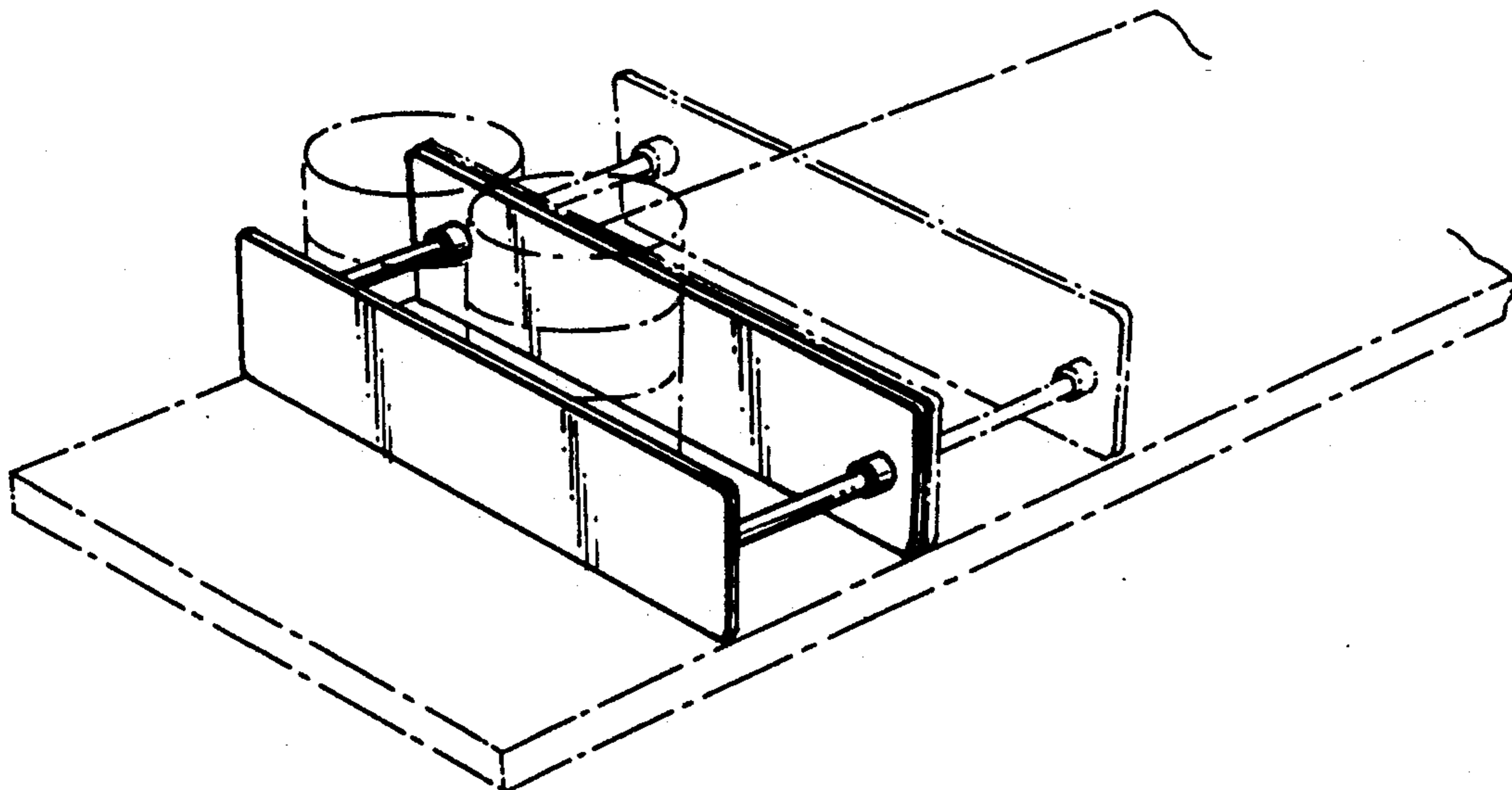


FIG. 1

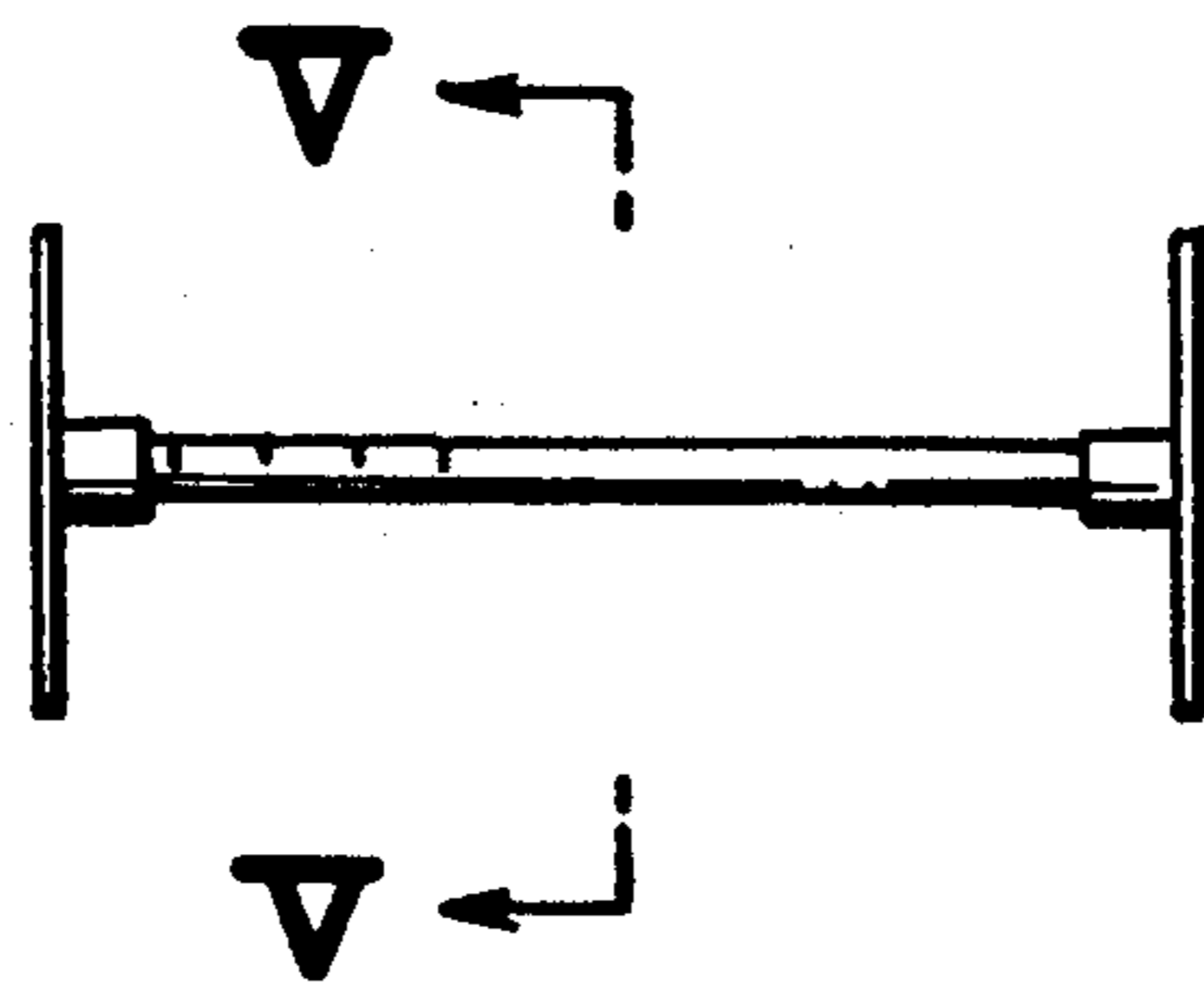


FIG. 2

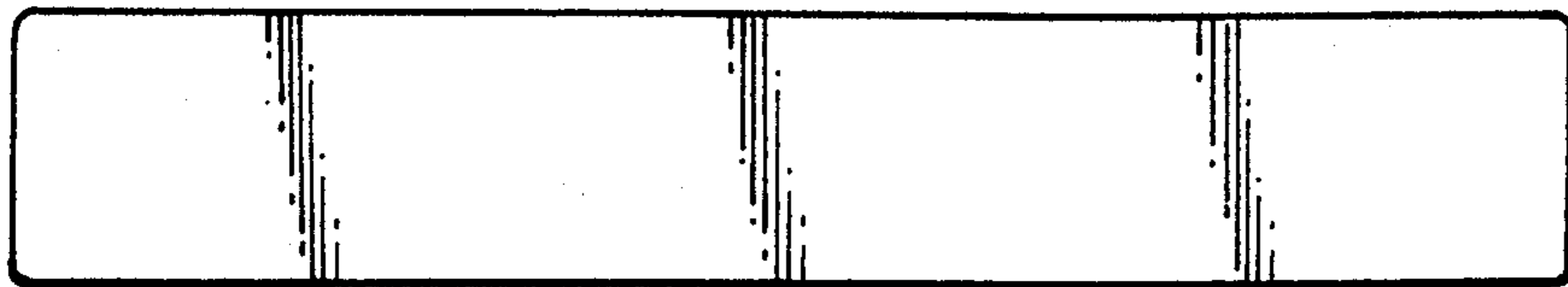


FIG. 3

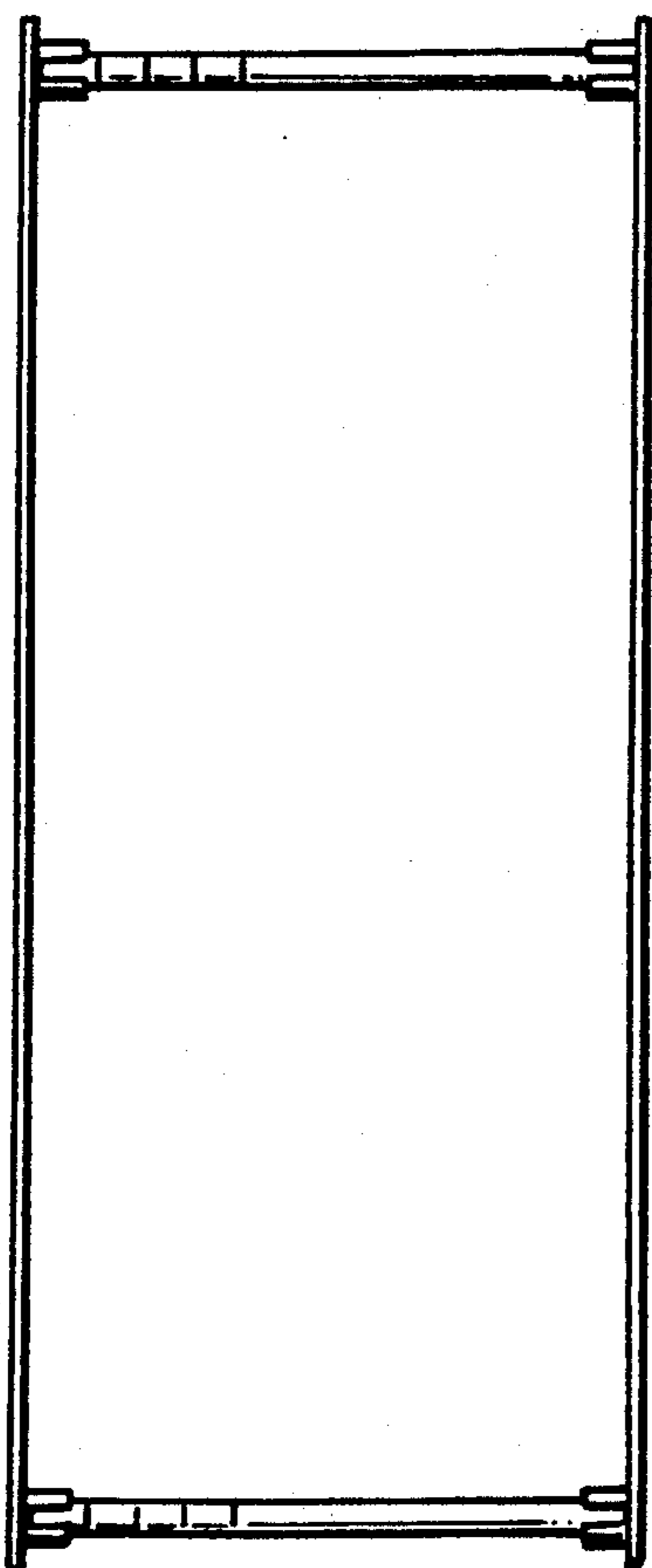


FIG. 4

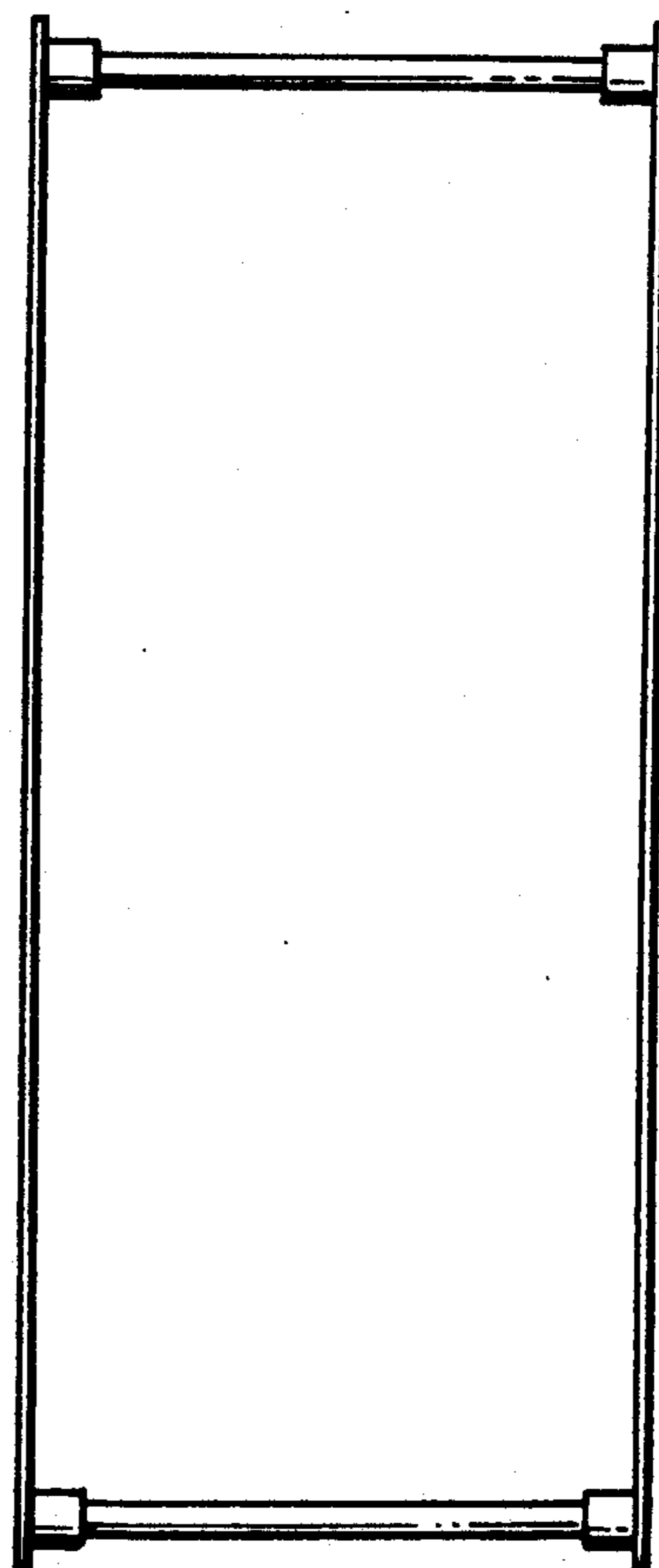


FIG. 5

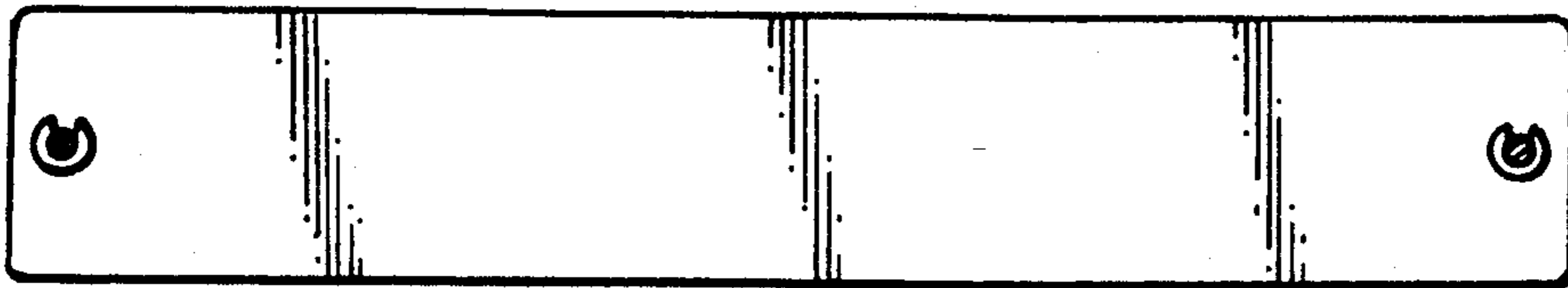


FIG. 6

