



US00D337673S

# United States Patent [19]

Goetz

[11] Patent Number: **Des. 337,673**

[45] Date of Patent: **\*\* Jul. 27, 1993**

- [54] **KNOCK DOWN BOOK SHELF**
- [75] Inventor: **Charles R. Goetz, Carnegie, Pa.**
- [73] Assignee: **Alco Industries Inc., Valley Forge, Pa.**
- [\*\*] Term: **14 Years**
- [21] Appl. No.: **655,099**
- [22] Filed: **Feb. 14, 1991**
- [52] U.S. Cl. .... **D6/473**
- [58] Field of Search ..... **D6/407, 449, 396, 397, D6/473; 211/135, 186, 13, 148**

3,145,851 8/1964 Magers ..... 211/186  
 3,149,727 9/1964 Magers ..... D6/473 X  
 3,549,019 12/1970 Wood ..... 211/186

### OTHER PUBLICATIONS

Popular Mechanics, Sep. 1940, p. 447, open book shelves.  
 ViewRite catalog date Feb. 28, 1986.

*Primary Examiner*—Alan P. Douglas  
*Assistant Examiner*—Jeffrey Asch  
*Attorney, Agent, or Firm*—William J. Ruano

### [57] CLAIM

The ornamental design for a knock down book shelf, as shown and described.

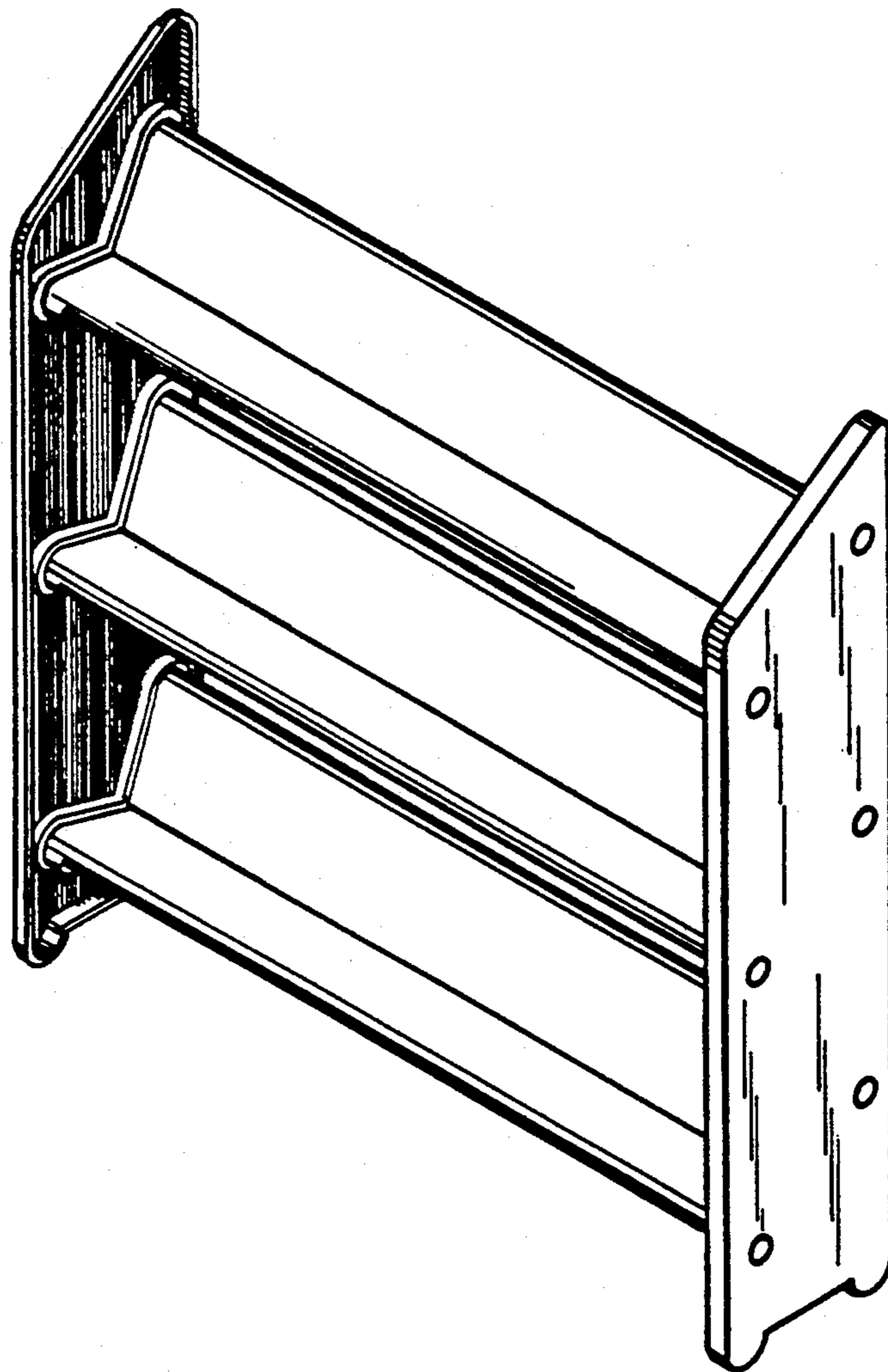
### DESCRIPTION

FIG. 1 is a top perspective view of a book shelf showing my new design of a knock down book shelf, the opposite top perspective view being identical; and, FIG. 2 is a rear, bottom perspective view.

### [56] References Cited

#### U.S. PATENT DOCUMENTS

D. 165,940	2/1952	Smilie .....	D6/473
D. 201,808	8/1965	Yamasaki .....	D6/473 X
D. 265,702	8/1982	Savas .....	D6/473
2,155,190	4/1939	Heinz .....	D6/473 X



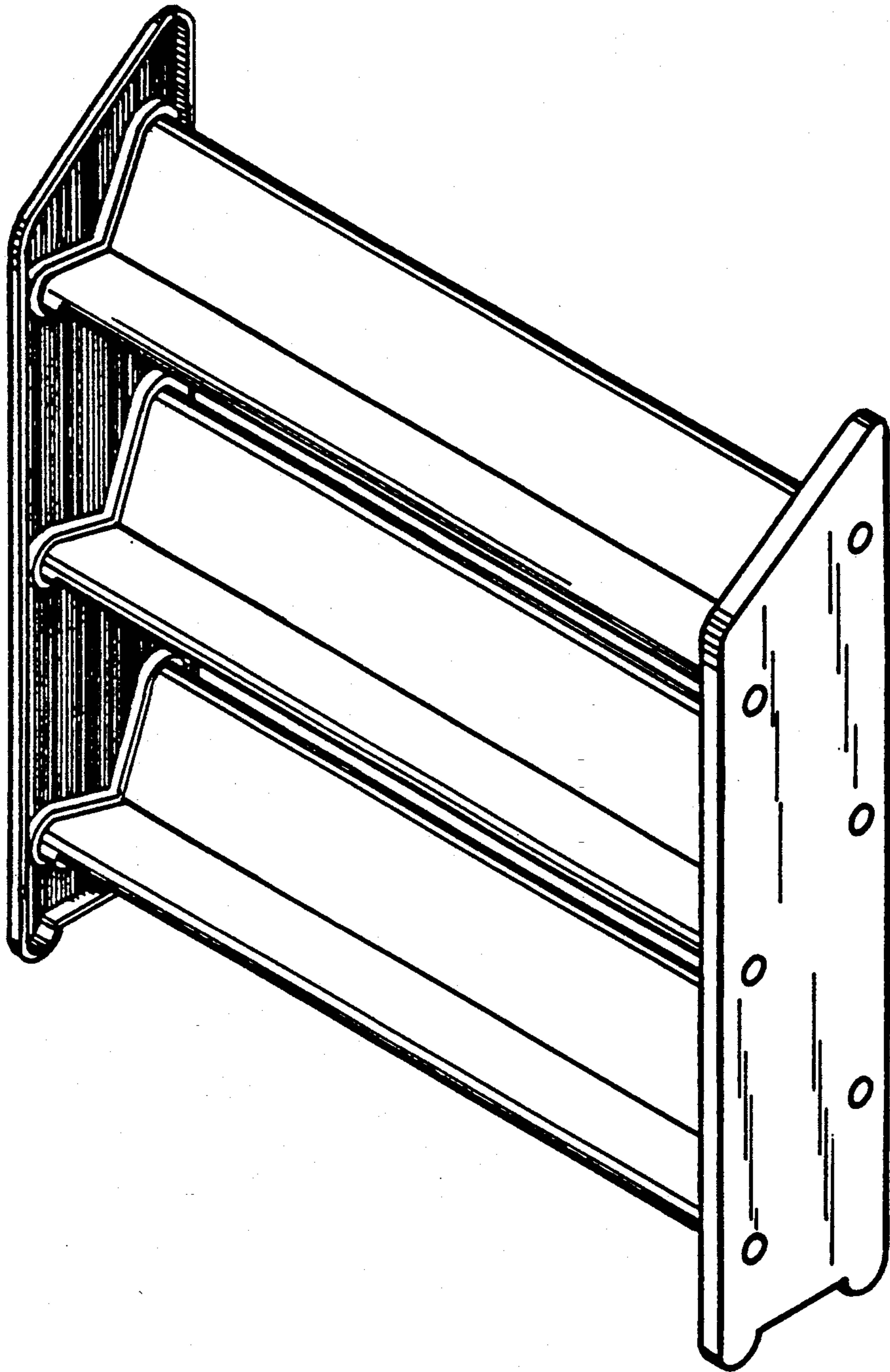


FIG. 1

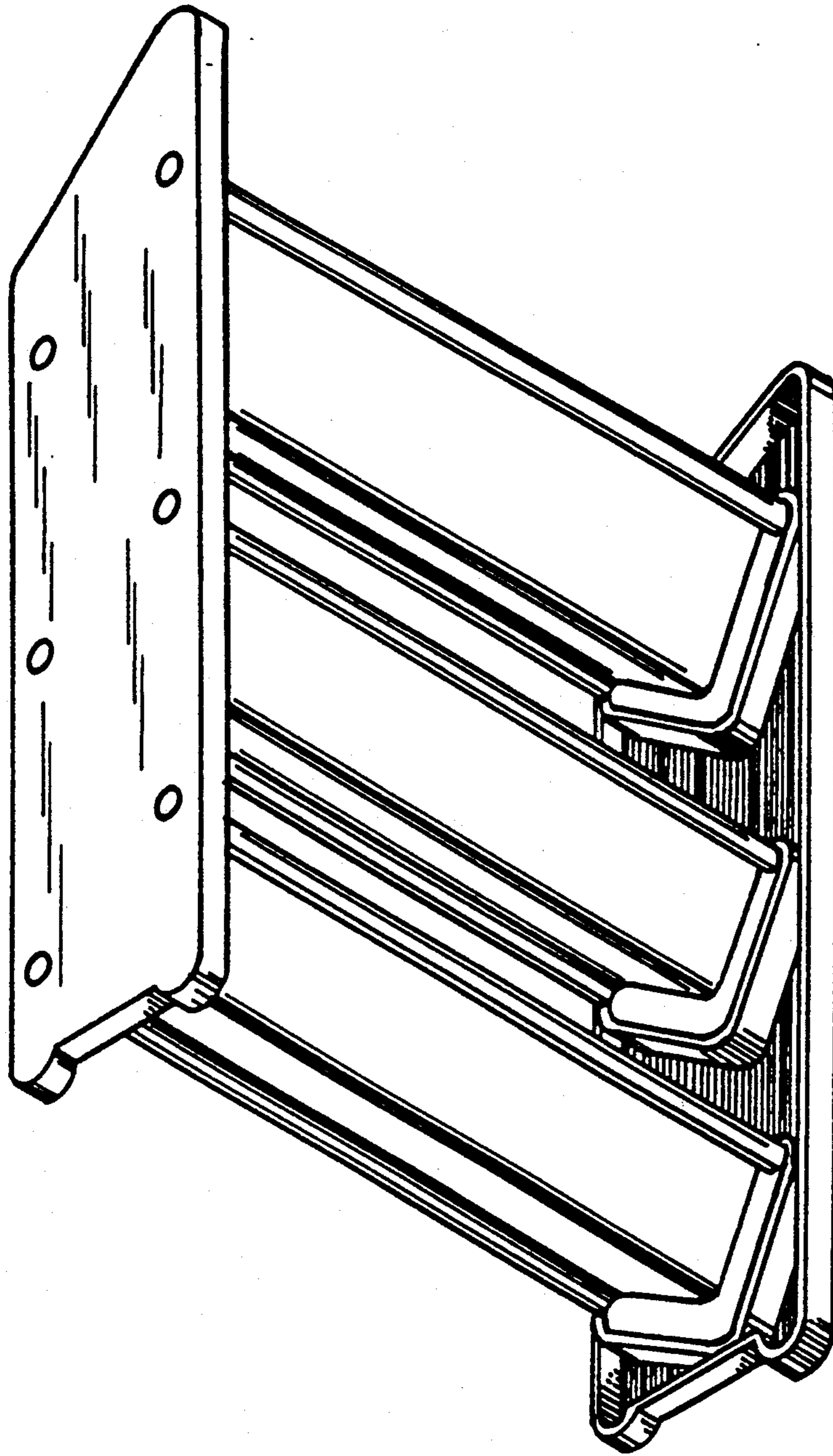


FIG. 2