



US00D337669S

United States Patent [19]

[11] Patent Number: **Des. 337,669**

Koeppel

[45] Date of Patent: **** Jul. 27, 1993**

[54] DISPLAY TOWER FOR AUDIO CASSETTES

4,732,283 3/1988 Schmidt 211/163 X

[75] Inventor: **Lloyd Koeppel, North Freedom, Wis.**

Primary Examiner—Carmen H. Vales-Lado
Attorney, Agent, or Firm—Henry R. Lerner

[73] Assignee: **Gressco, Ltd., Waunakee, Wis.**

[57] **CLAIM**

[**] Term: **14 Years**

The ornamental design for a display tower for audio cassettes, as shown and described.

[21] Appl. No.: **668,431**

DESCRIPTION

[22] Filed: **Mar. 11, 1991**

FIG. 1 is a perspective view of a display tower for audio cassettes showing my new design, the other sides being identical thereto;

[52] U.S. Cl. **D6/407; D6/457; D6/461**

FIG. 2 is an enlarged top plan view thereof;

[58] Field of Search **D6/449-461, D6/407; 211/70.5, 40-42, 163, 144; 206/387**

FIG. 3 is a side elevational view of a module;

[56] **References Cited**

U.S. PATENT DOCUMENTS

- D. 173,331 10/1954 Vaughan D6/458
- D. 237,338 10/1975 Berkman D6/407 X
- D. 314,292 2/1991 Nyman D6/457

FIG. 4 is an enlarged bottom plan view thereof; and, FIG. 5 is an enlarged fragmentary sectional view taken along line 5-5 of FIG. 3.

The broken line showing of audio cassettes in FIGS. 1, 3 and 5 is for illustrative purposes only and forms no part of the claimed design.

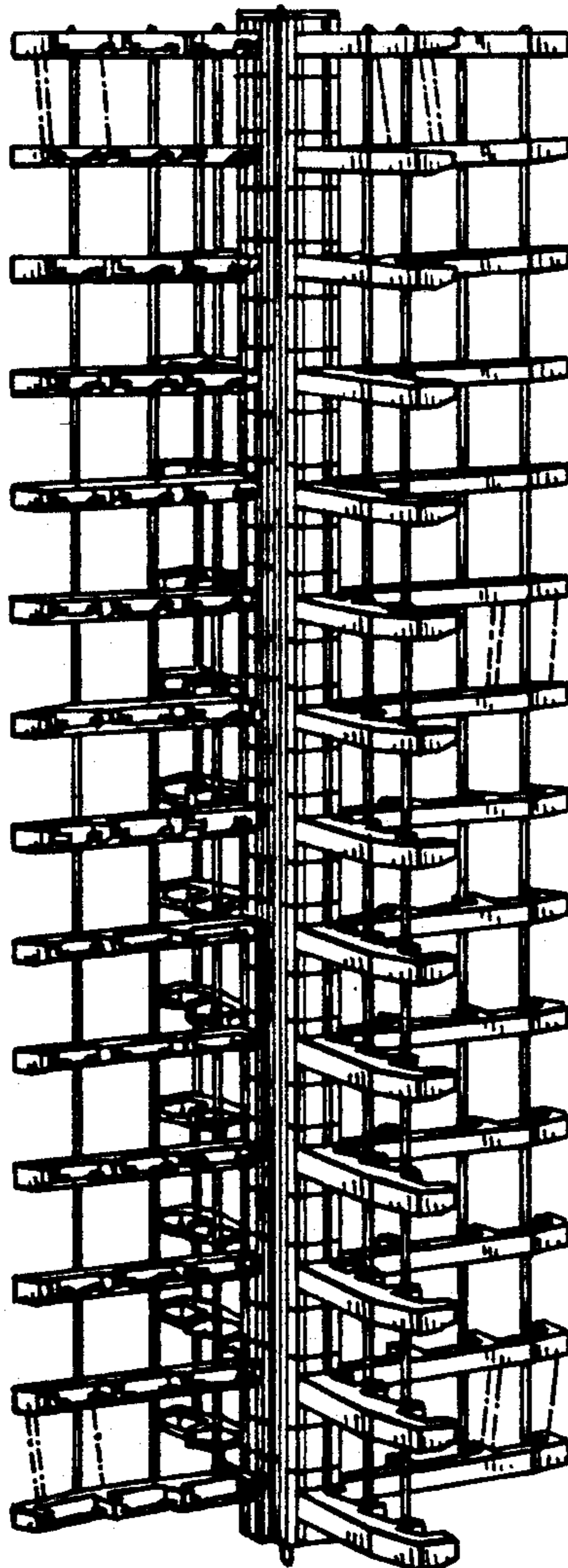
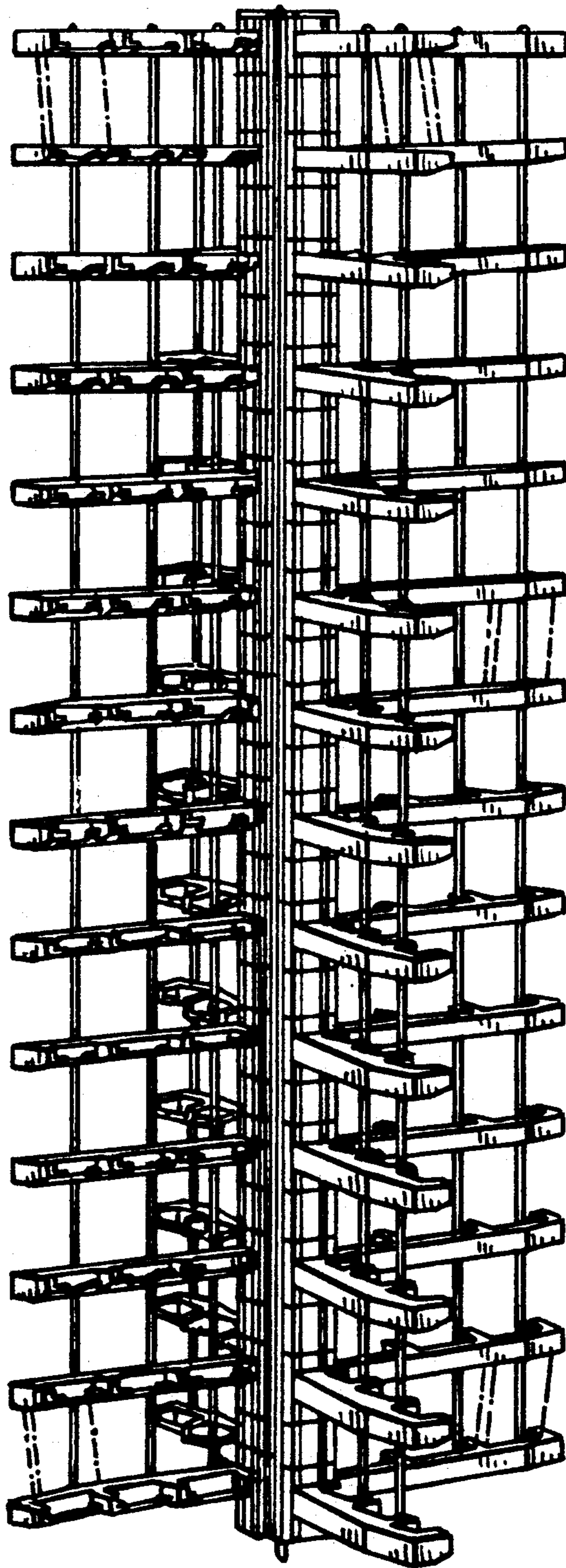


FIG. 1



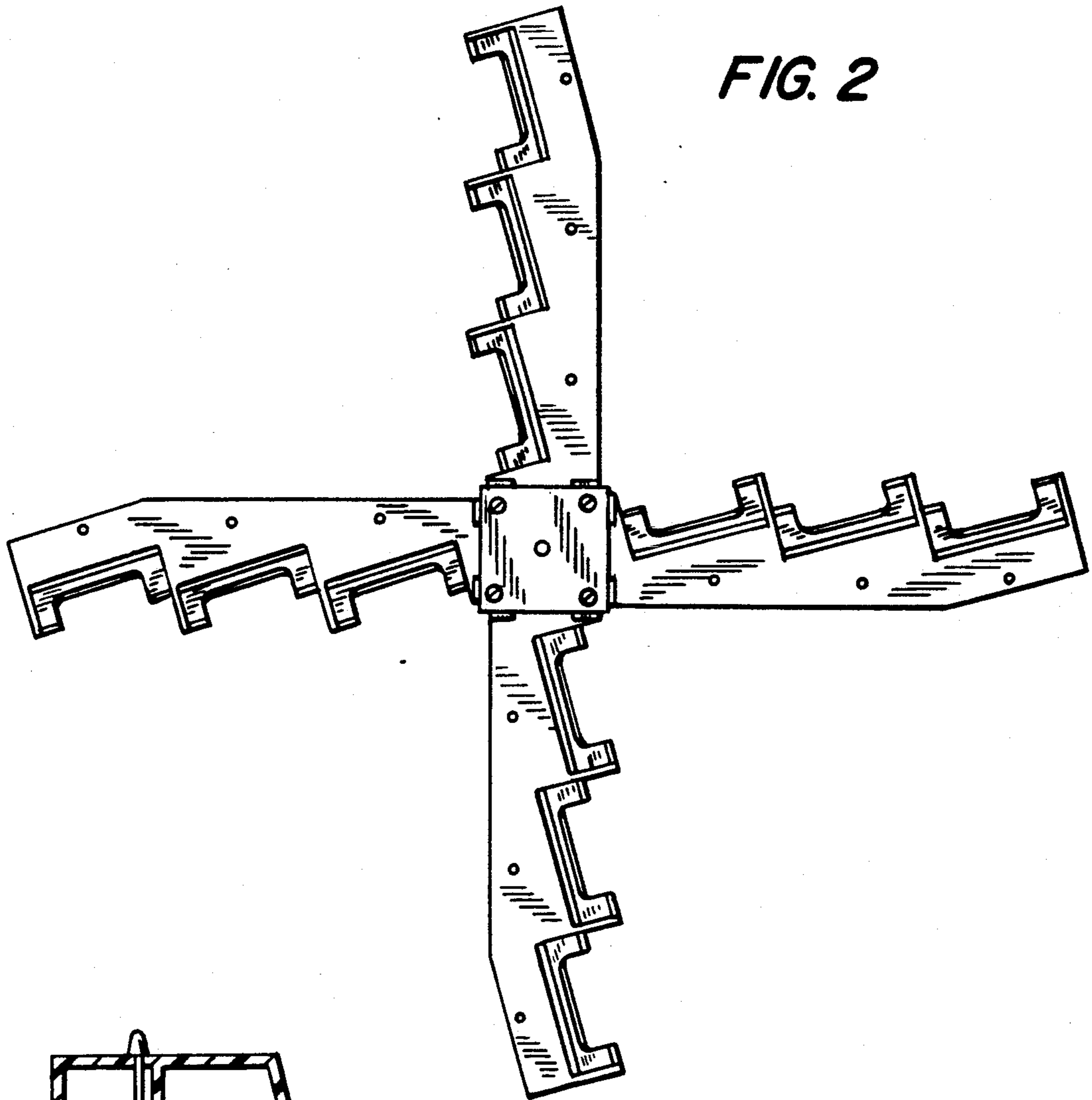


FIG. 2

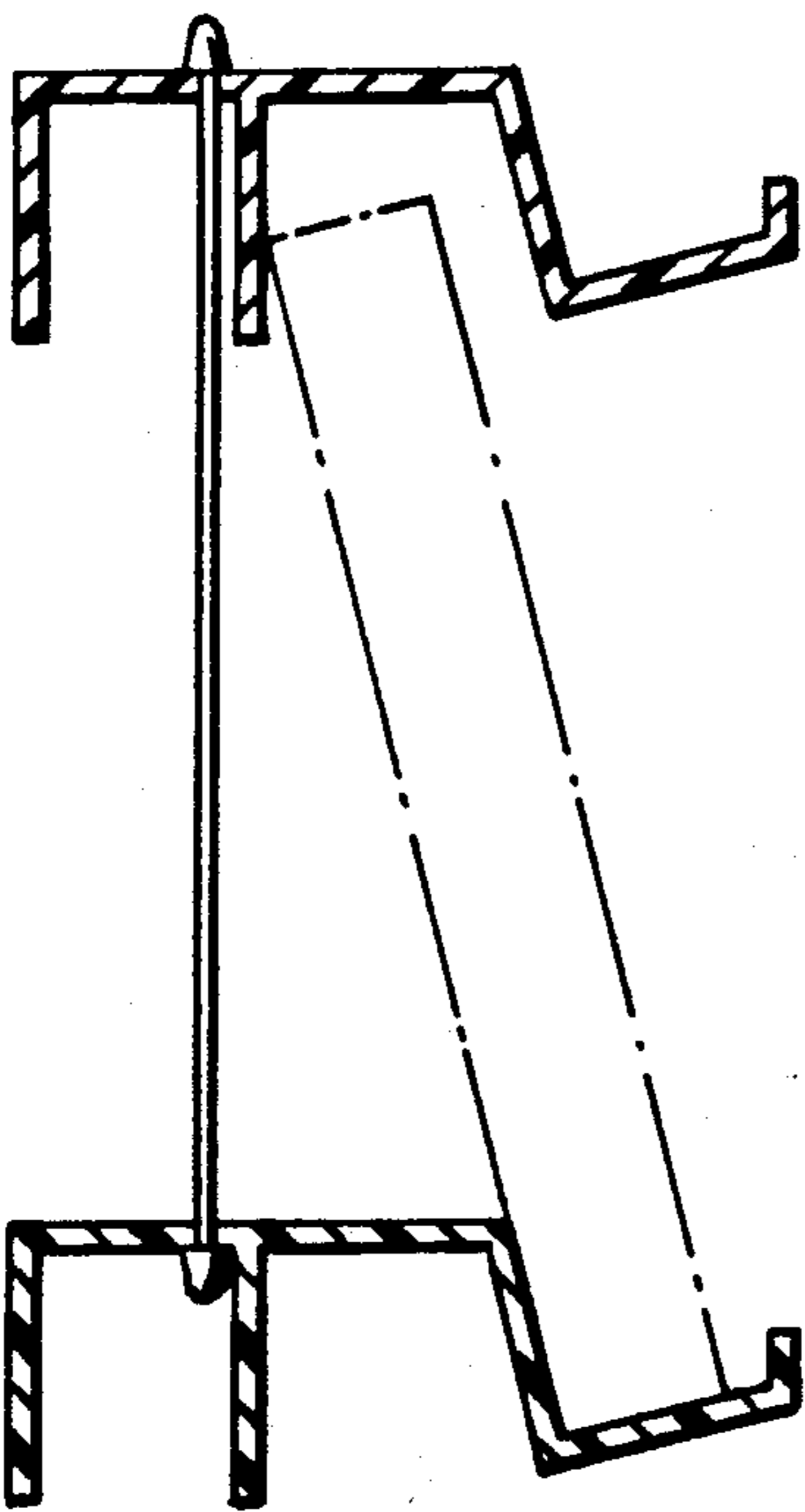


FIG. 5

FIG. 3

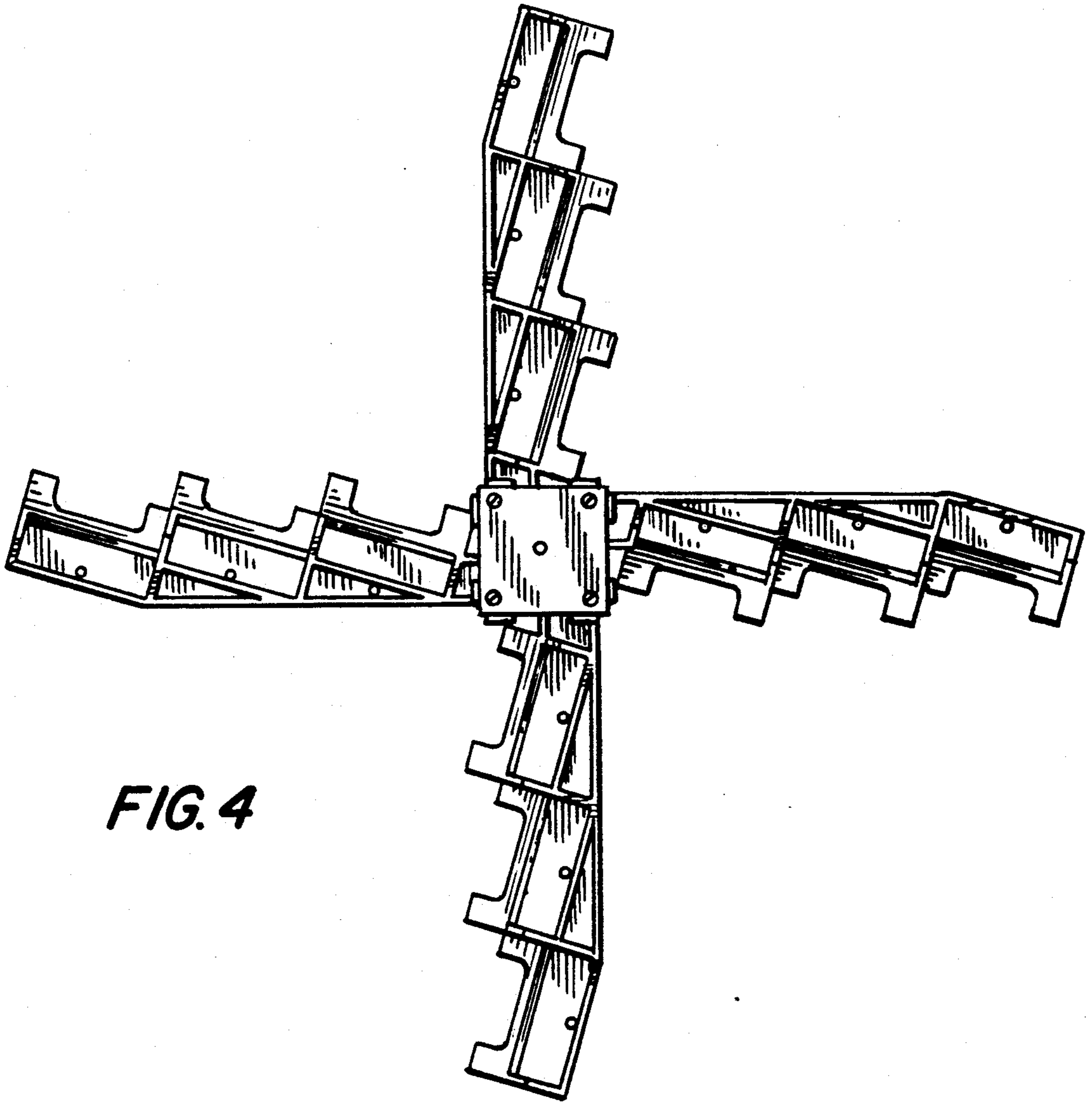
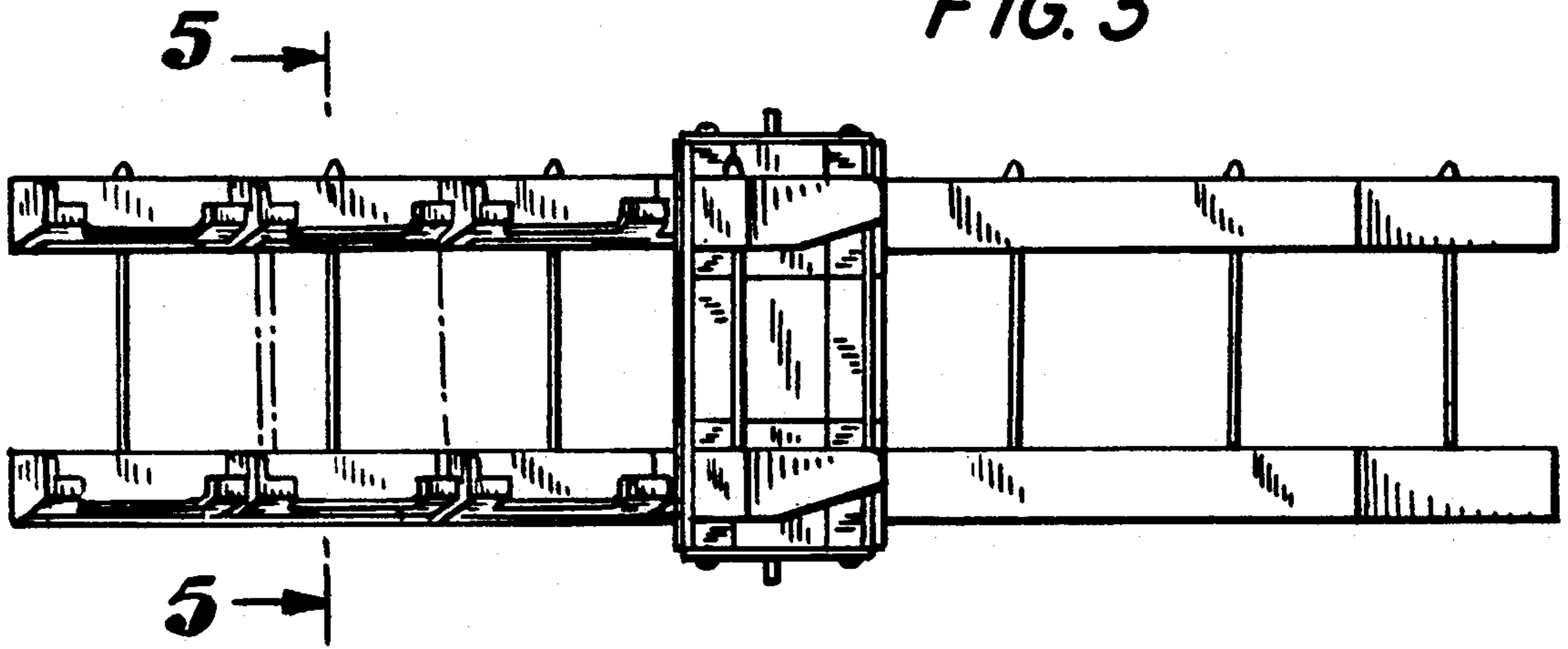


FIG. 4