



US00D337657S

United States Patent [19]

March et al.

[11] Patent Number: **Des. 337,657**

[45] Date of Patent: **** Jul. 27, 1993**

[54] CARRYING CASE

[75] Inventors: **Joseph E. March, Chicago; Thomas A. Grabarek, Oak Lawn, both of Ill.**

[73] Assignee: **Platt Luggage, Inc., Chicago, Ill.**

[**] Term: **14 Years**

[21] Appl. No.: **754,703**

[22] Filed: **Sep. 4, 1991**

[52] U.S. Cl. **D3/70**

[58] Field of Search **D3/70, 74, 76, 78; 190/18 A, 26, 104, 100, 119, 110, 901, 902, 900, 903, 118, 115, 121, 120; 206/224, 214**

[56] **References Cited**

U.S. PATENT DOCUMENTS

D. 18,875	1/1889	Carpeles	D3/70
181,738	8/1876	Soule et al.	D3/70 X
495,151	4/1893	Desmaras	190/104
860,807	7/1907	Kahlow et al. .	
1,521,310	12/1924	Moran	D3/70 X
1,669,399	5/1928	Tronick	190/19

2,398,299	4/1946	Frandsen .	
2,626,025	1/1953	Sherman	D3/70 X
3,214,229	10/1965	Van Winkle et al. .	
3,935,931	2/1976	Kaplan	D3/76 X
3,938,630	2/1976	March .	

Primary Examiner—B. J. Bullock
Assistant Examiner—Paula A. Mortimer
Attorney, Agent, or Firm—Fitch, Even, Tabin & Flannery

[57] **CLAIM**

The ornamental design for a carrying case, as shown and described.

DESCRIPTION

FIG. 1 is a perspective view of a carrying case showing our new design;
FIG. 2 is an end elevational view of the carrying case, taken from the lefthand side of FIG. 1, the opposite end being substantially a mirror image thereof;
FIG. 3 is a front elevational view of the carrying case;
FIG. 4 is a plan view thereof;
FIG. 5 is a rear elevational view thereof; and,
FIG. 6 is a bottom view thereof.

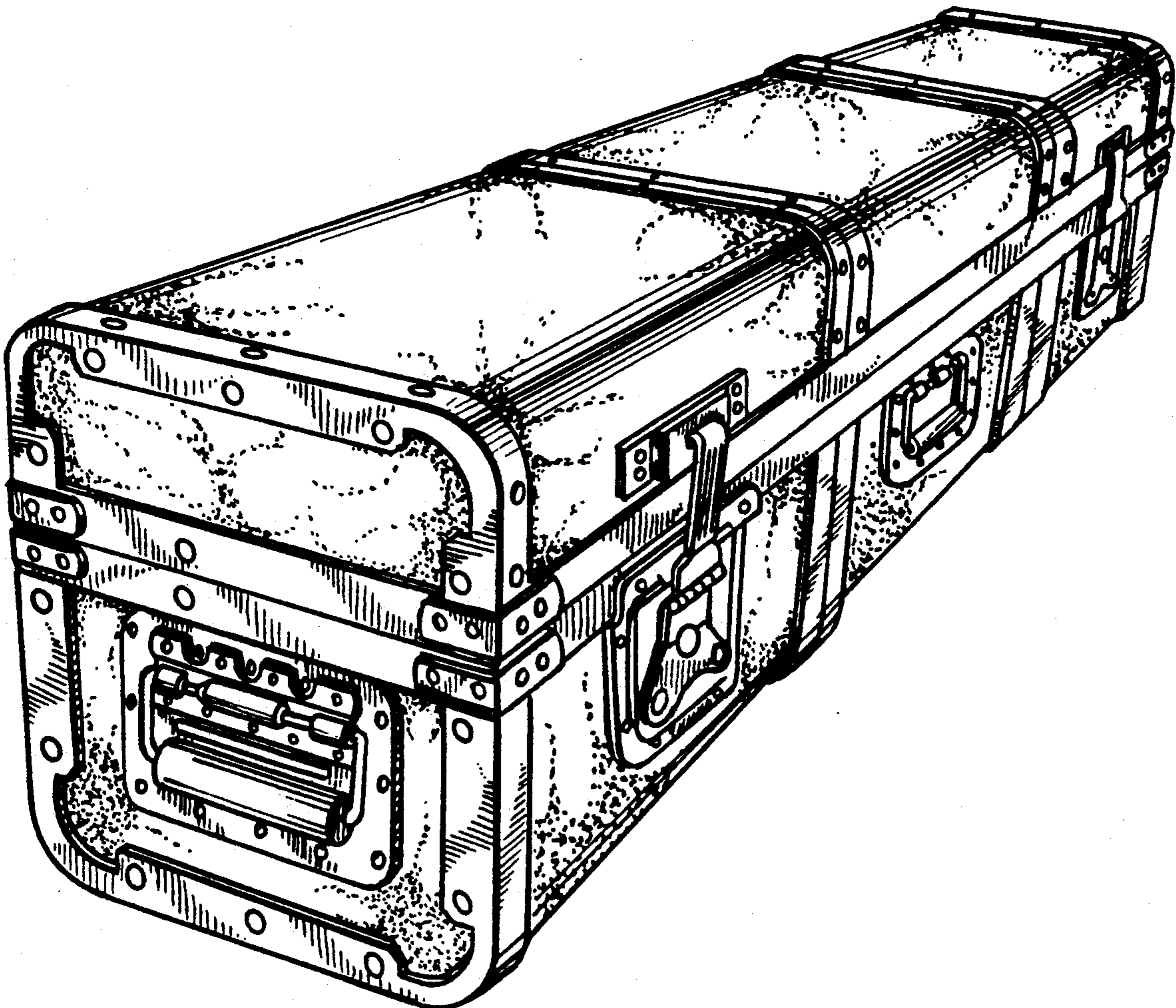


FIG. 1

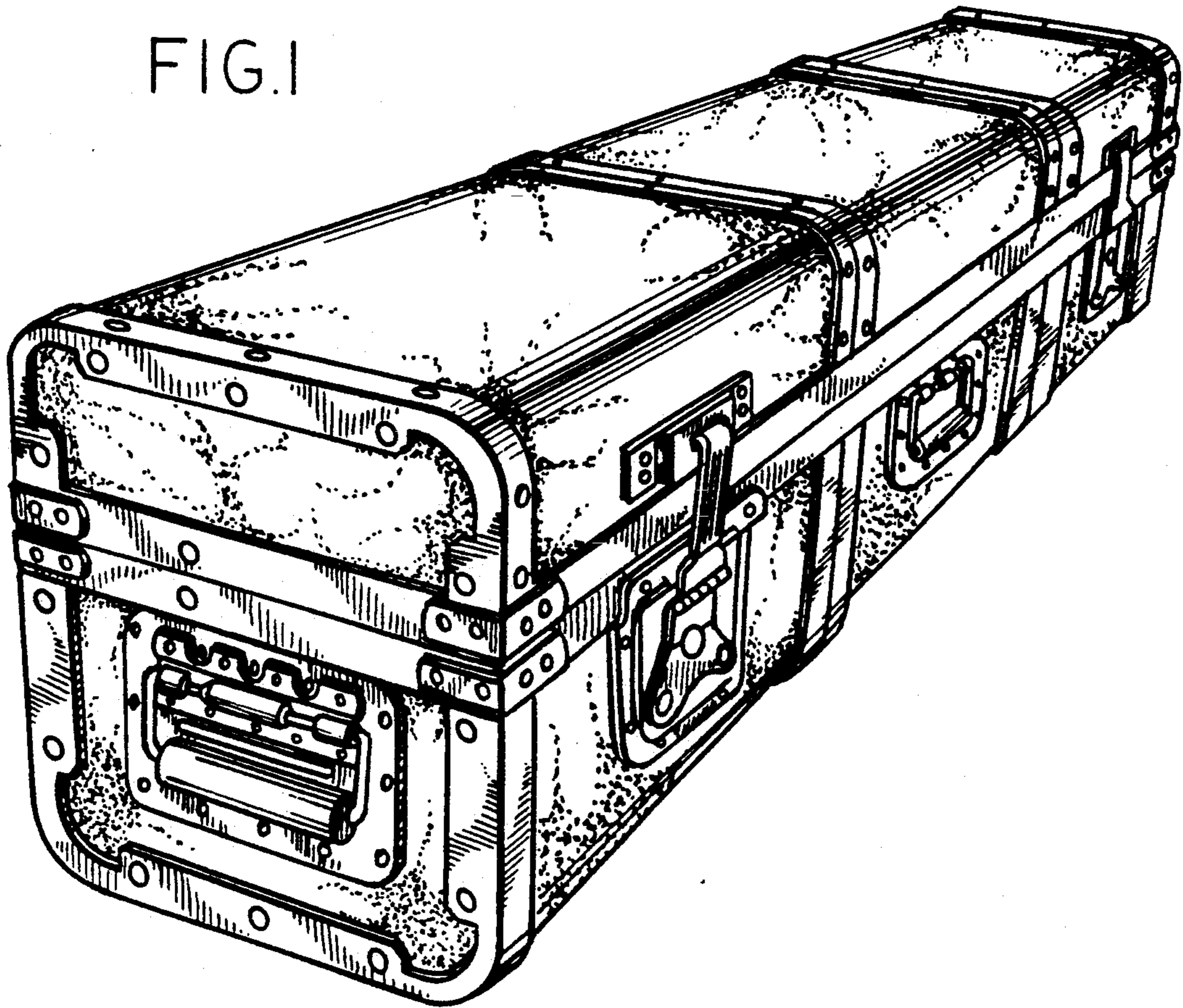


FIG. 2

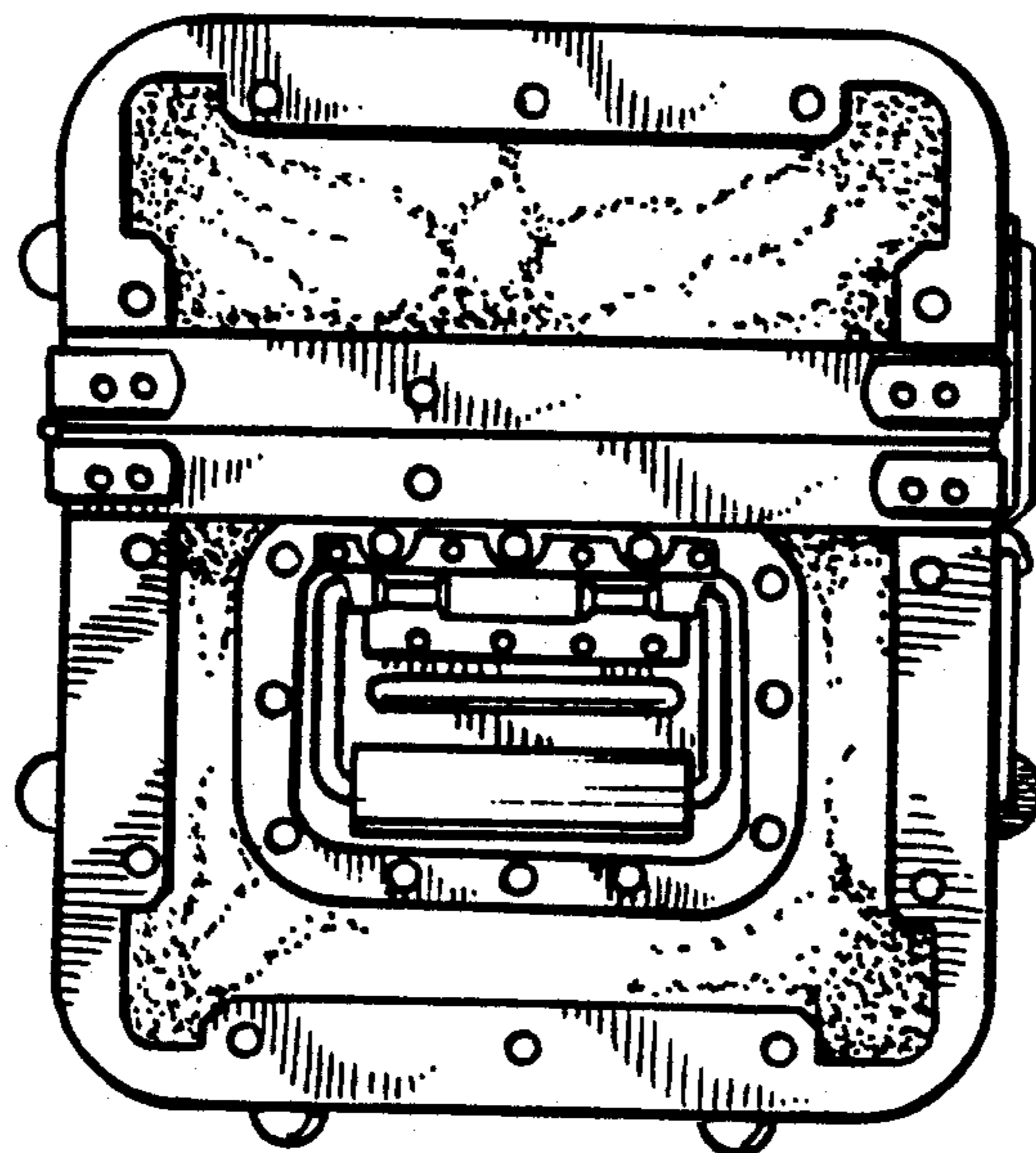


FIG.3

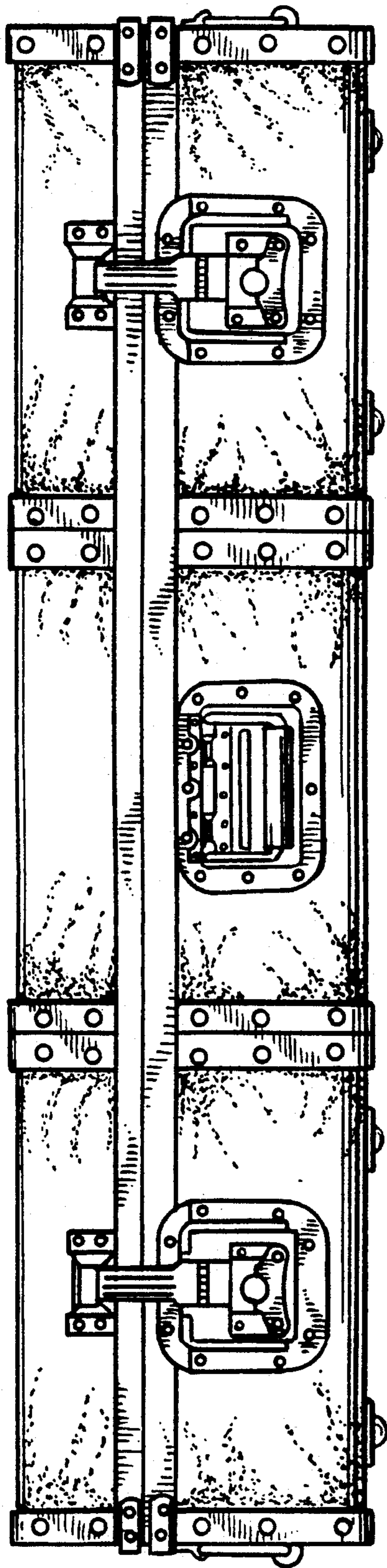
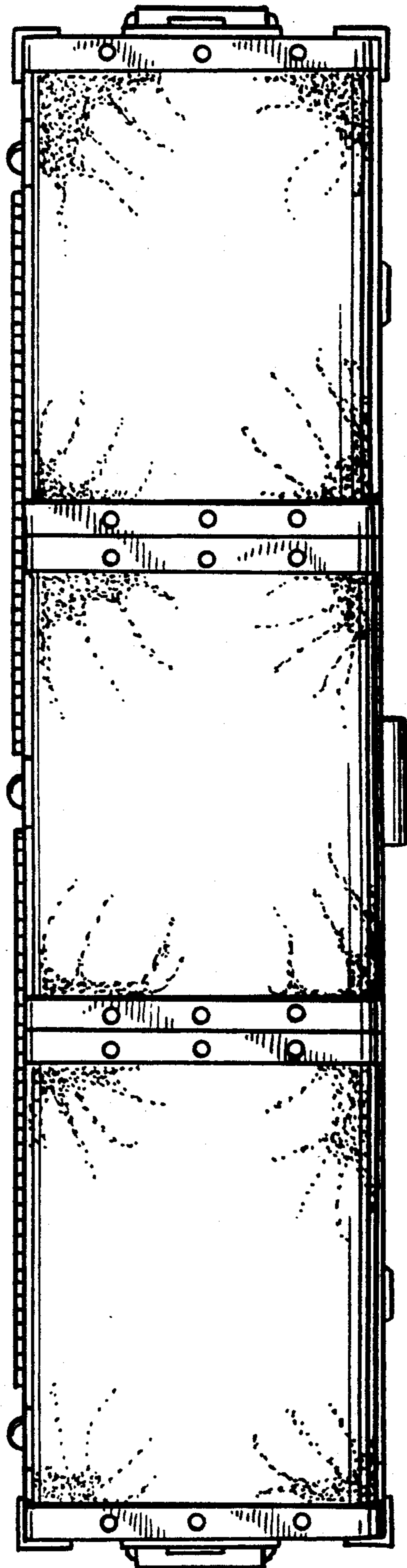


FIG.4



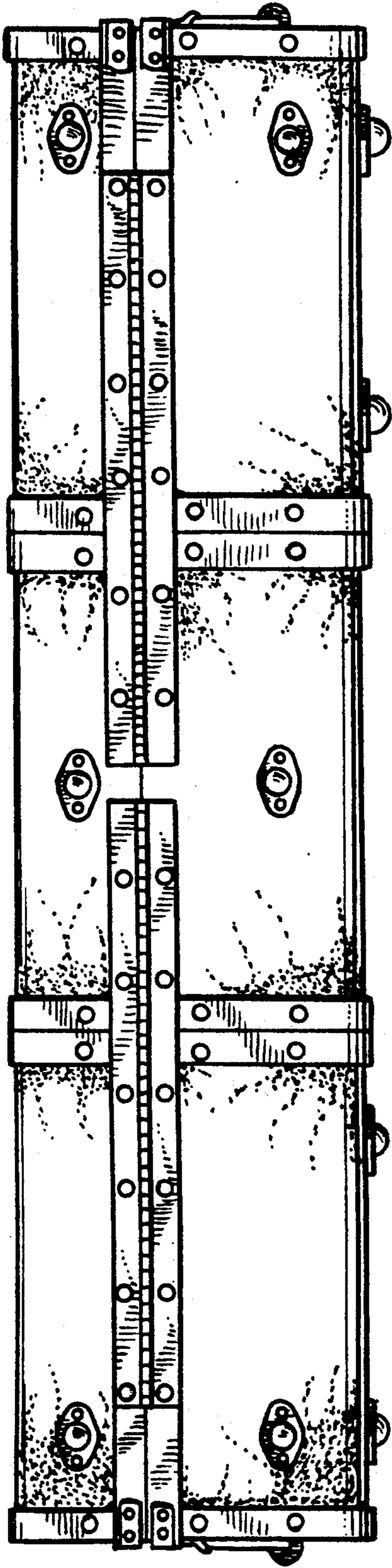


FIG. 5

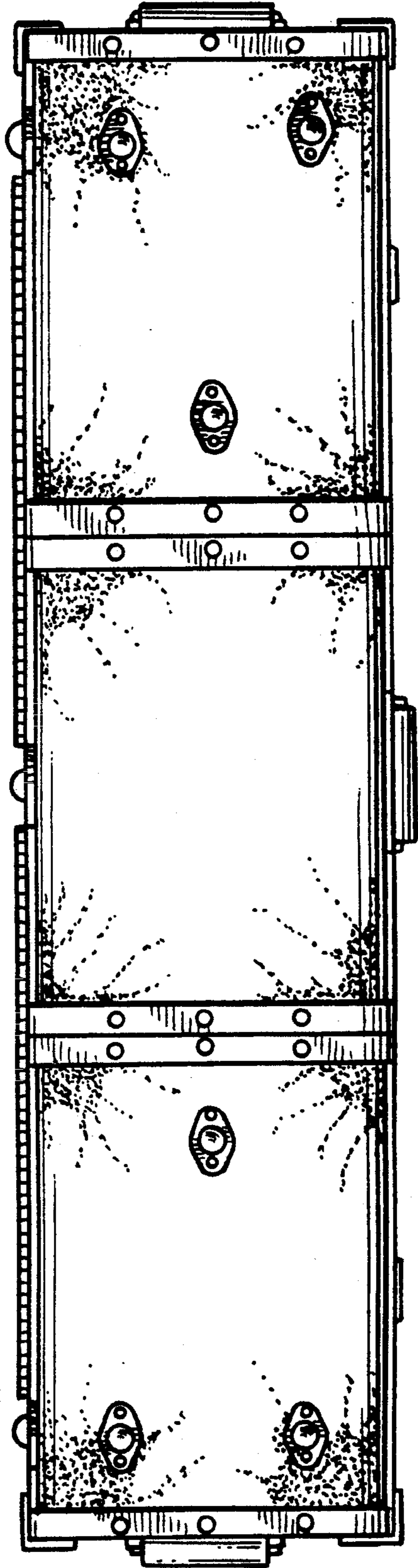


FIG. 6