



US00D337656S

# United States Patent [19]

Hostert

[11] Patent Number: **Des. 337,656**

[45] Date of Patent: **\*\* Jul. 27, 1993**

[54] **HOLDER FOR A CREDIT OR TRANSACTION CARD**

D. 314,865 2/1991 Tuisku ..... D3/56  
5,038,926 8/1991 Van Der Toorn ..... 150/149 X

[76] Inventor: **Kathleen D. Hostert**, 1106 N. Kroeger Ave., Fullerton, Calif. 92631

*Primary Examiner*—Louis S. Zarfes  
*Attorney, Agent, or Firm*—Knobbe, Martens, Olson & Bear

[\*\*] Term: **14 Years**

[57] **CLAIM**

[21] Appl. No.: **708,613**

The ornamental design for a holder for a credit or transaction card, as shown and described.

[22] Filed: **May 31, 1991**

[52] U.S. Cl. .... **D3/56**

[58] Field of Search ..... **D3/56-60;**  
**150/131-153**

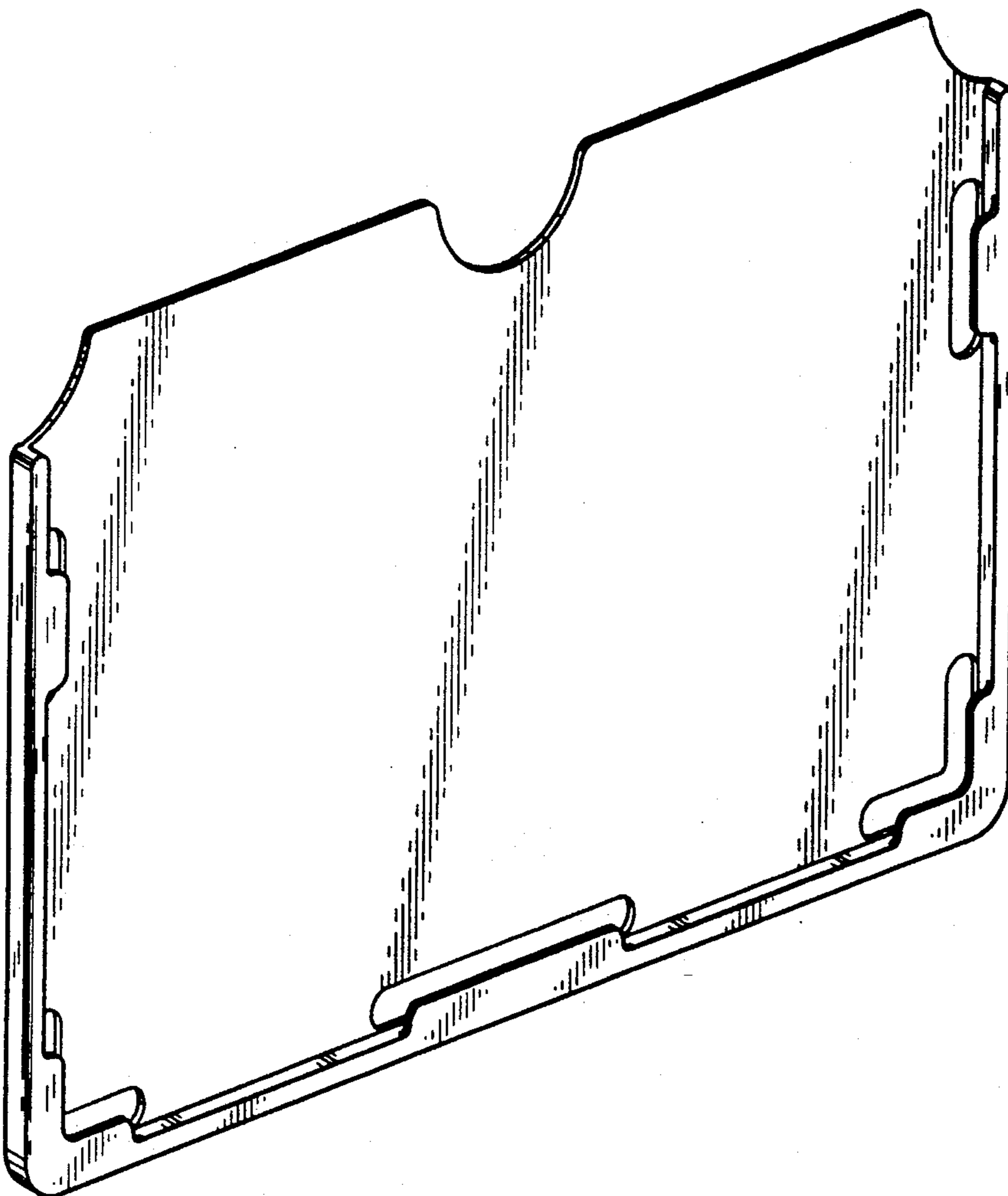
**DESCRIPTION**

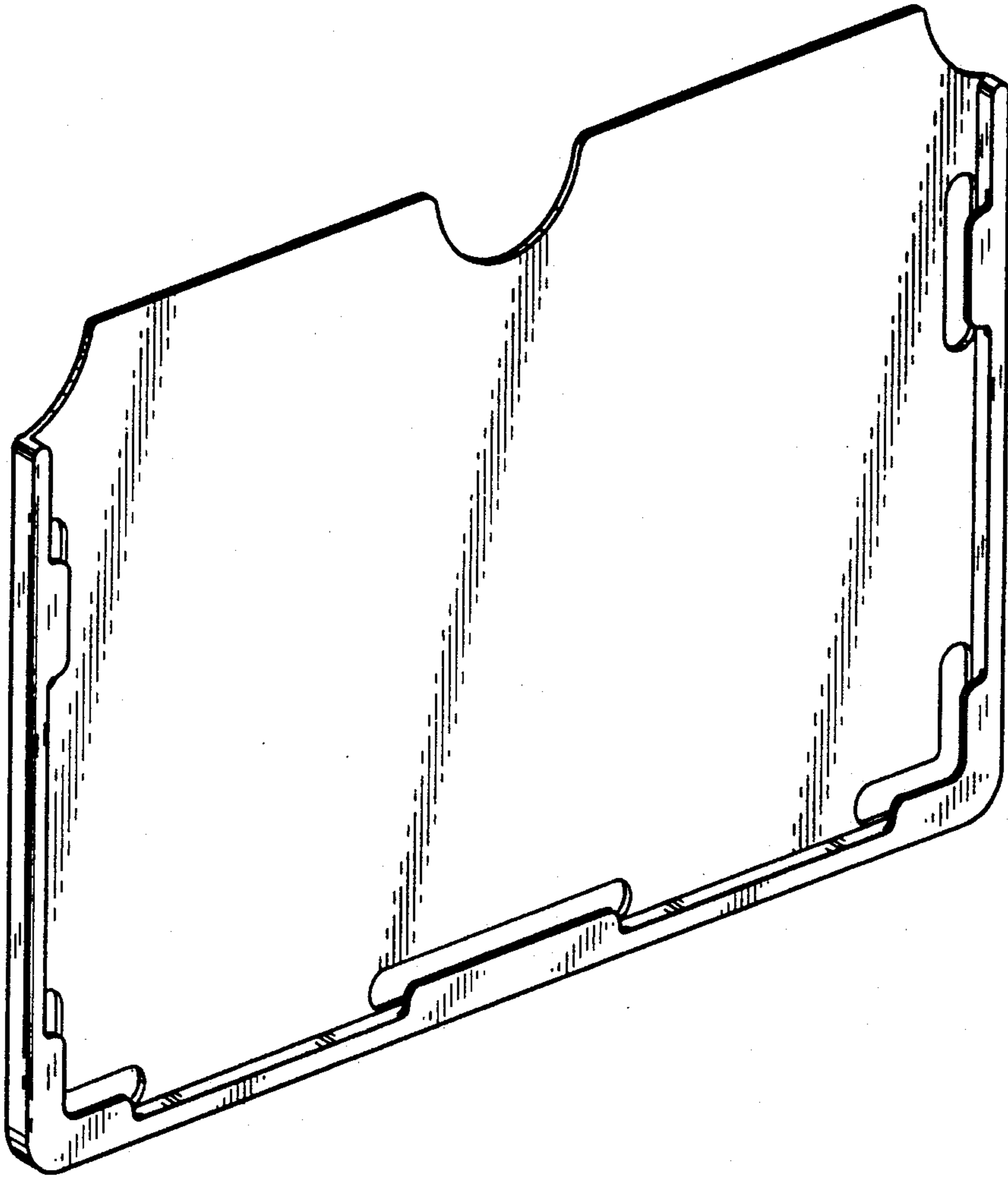
[56] **References Cited**

**U.S. PATENT DOCUMENTS**

FIG. 1 is a front perspective view of my holder for a credit or transaction card;  
FIG. 2 is a top plan view thereof;  
FIG. 3 is a front elevational view thereof;  
FIG. 4 is a right side elevational view, the left side being a mirror image thereof;  
FIG. 5 is a bottom plan view thereof; and,  
FIG. 6 is a rear elevational view thereof.

D. 209,035 10/1967 Robert ..... D3/56 X  
D. 256,852 9/1980 McGahee ..... D3/56  
D. 313,698 1/1991 Duffy ..... D3/56





*Fig. 1*

