



US00D337653S

United States Patent [19]

[11] Patent Number: **Des. 337,653**

Hassel et al.

[45] Date of Patent: **** Jul. 27, 1993**

[54] SUSPENDABLE CONTAINER FOR COMPUTER STORAGE DISKS

[75] Inventors: **H. Charles Hassel, Los Angeles; Gregory DuVall, Santa Monica, both of Calif.**

[73] Assignee: **Rubbermaid Office Products Group Inc., Inglewood, Calif.**

[**] Term: **14 Years**

[21] Appl. No.: **699,230**

[22] Filed: **May 13, 1991**

[52] U.S. Cl. **D3/35; D19/75; D19/76; D19/90**

[58] Field of Search **D19/75, 76, 78, 86, D19/90, 91, 99, 100; D3/30.1, 35, 72, 74, 78; 206/387, 334, 425, 444, 454, 449, 555; 211/10, 11; 312/183, 184; 220/335**

[56] References Cited

U.S. PATENT DOCUMENTS

D. 287,425	12/1986	Kirchner	D3/35
D. 317,018	5/1991	Tarlow et al.	D19/90
D. 326,559	6/1992	Szablak et al.	D19/90 X
D. 327,292	6/1992	Klodt	D19/90 X
3,874,501	4/1975	Cronheim	206/425 X
4,117,931	10/1978	Berkman	206/387
4,721,207	1/1988	Kikuchi	206/444 X
4,976,373	12/1990	Perdue, Jr. et al.	206/444 X
5,088,801	2/1992	Rorke et al.	312/184

FOREIGN PATENT DOCUMENTS

2173478 10/1986 United Kingdom 206/444

Primary Examiner—Nelson C. Holtje
Assistant Examiner—Martha Thompson
Attorney, Agent, or Firm—Richard B. O'Planick

[57] CLAIM

The ornamental design for a suspendable container for computer storage disks, as shown and described.

DESCRIPTION

FIG. 1 is a front elevational view of a suspendable container for computer data storage disks showing our new design;

FIG. 2 is a rear elevational view;

FIG. 3 is a right side elevational view, the left side being a mirror image;

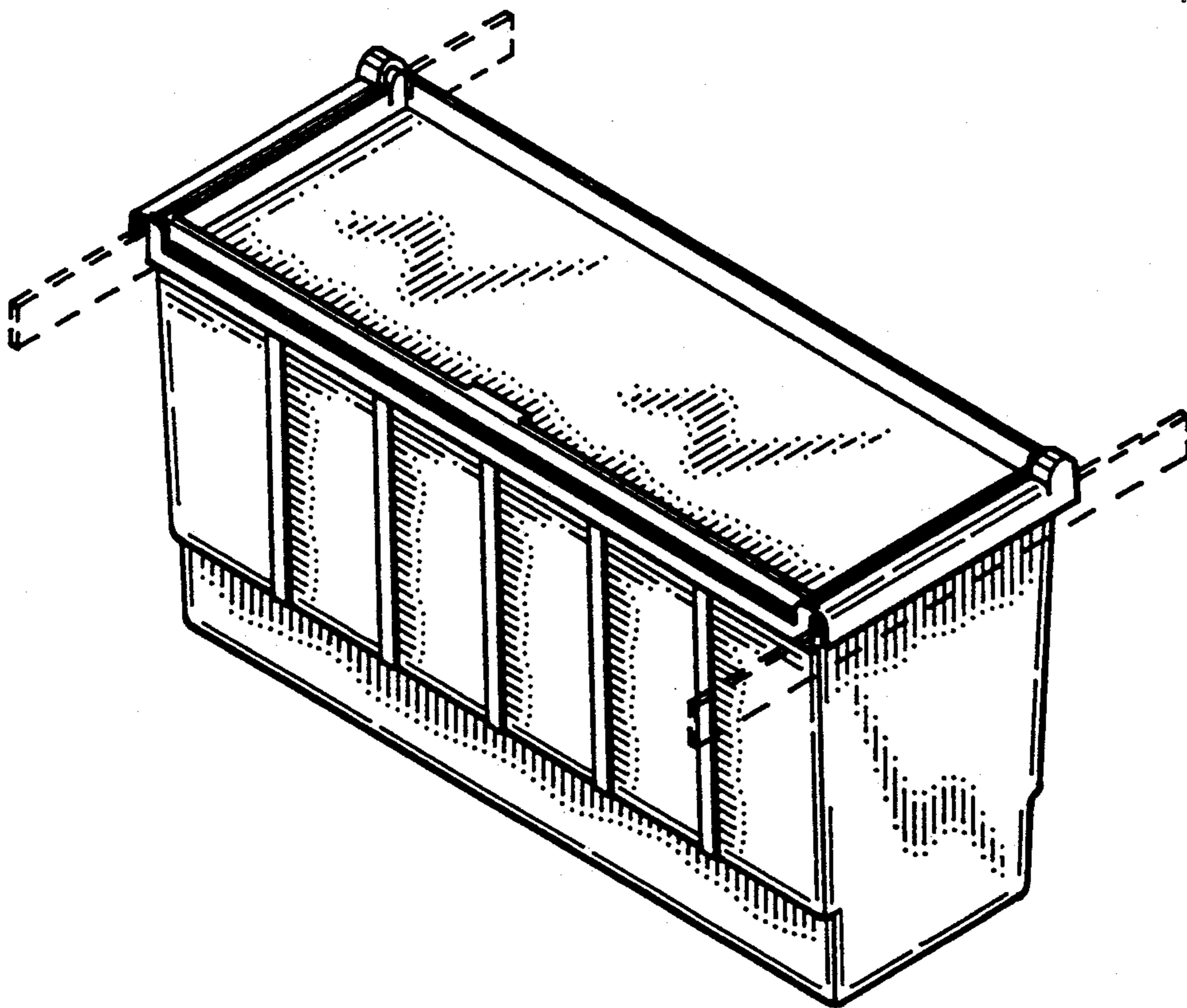
FIG. 4 is a top plan view;

FIG. 5 is a top plan view with the lid member in an open position;

FIG. 6 is a top plan view of a second embodiment of our new design with the lid member in an open position, the other views thereof being identical to FIGS. 1 through 4 and 7 and 8;

FIG. 7 is a bottom plan view; and,

FIG. 8 is a top, right front perspective view thereof, the fragmentary suspension file rails being depicted by means of broken lines for illustrative purposes only and forming no part of the claimed design.



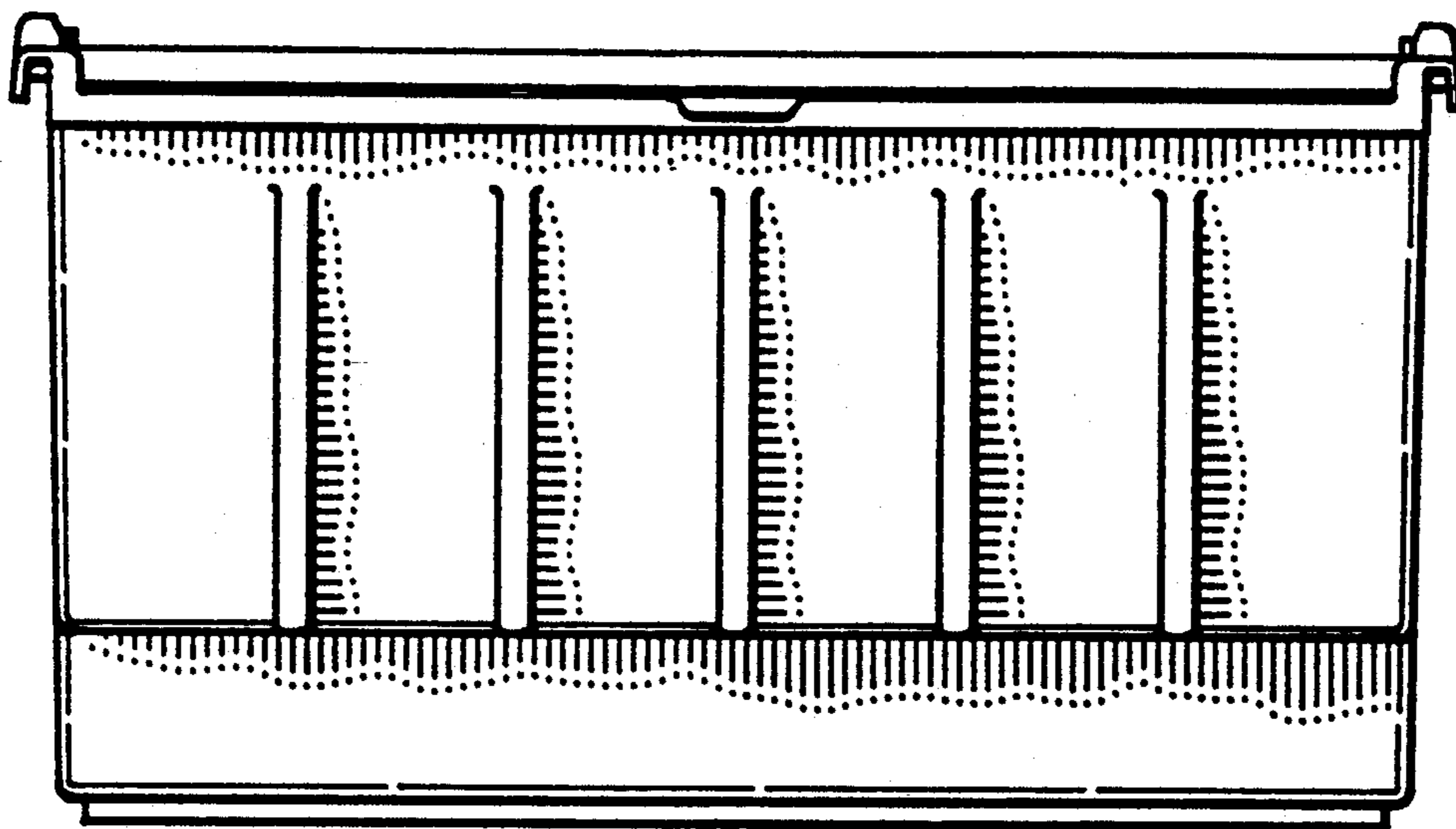


FIG. 1

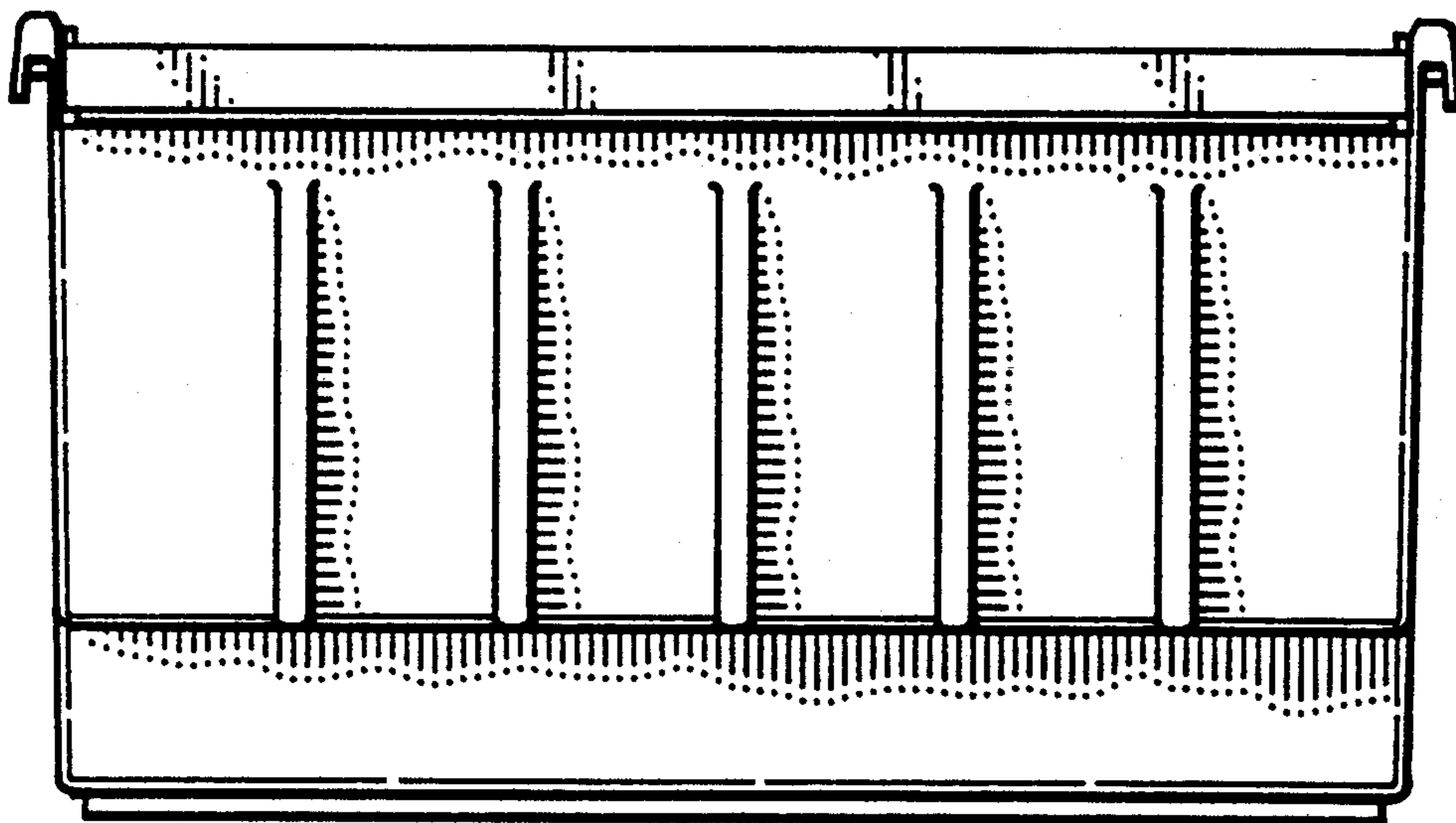


FIG. 2

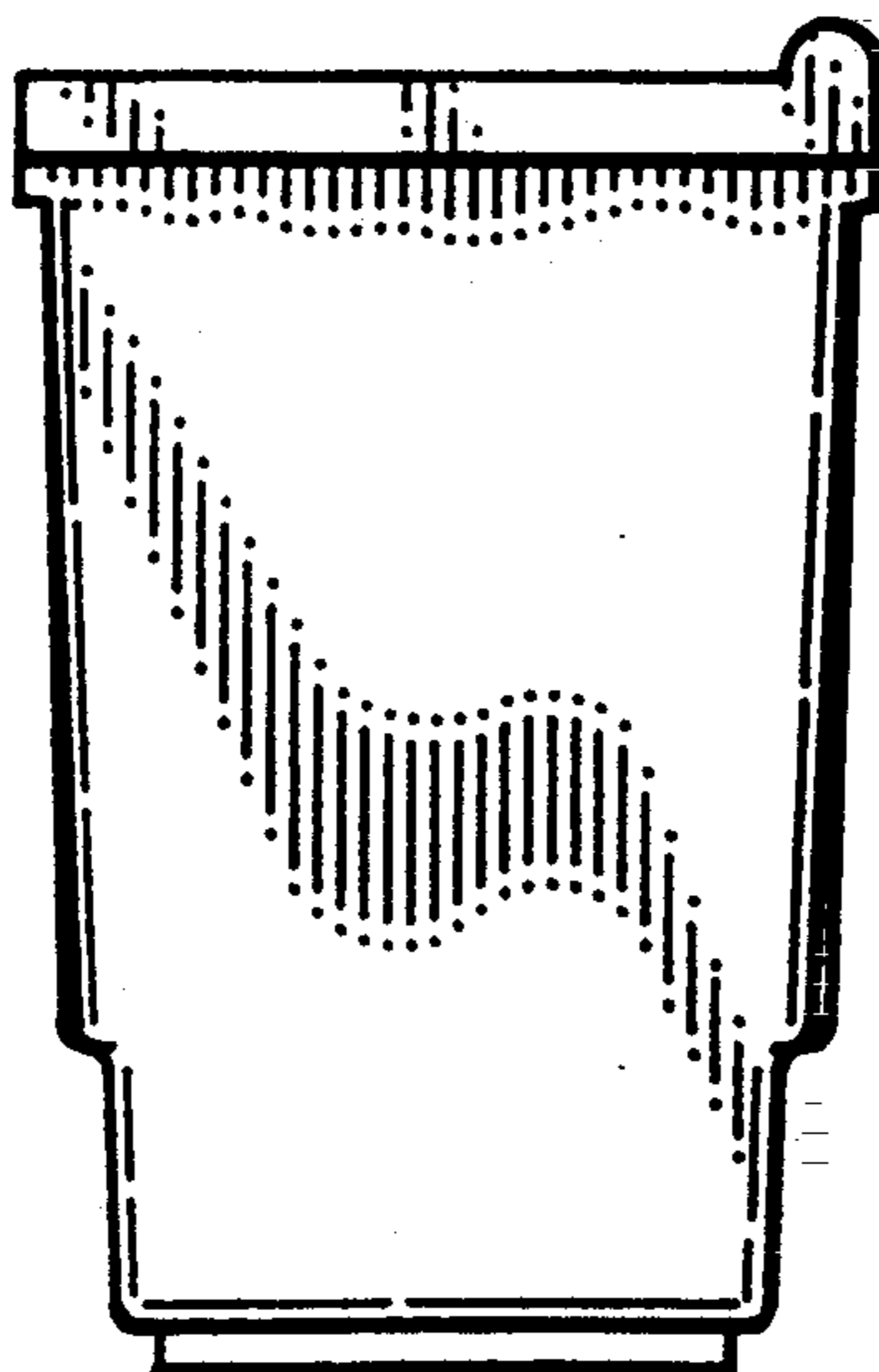


FIG. 3

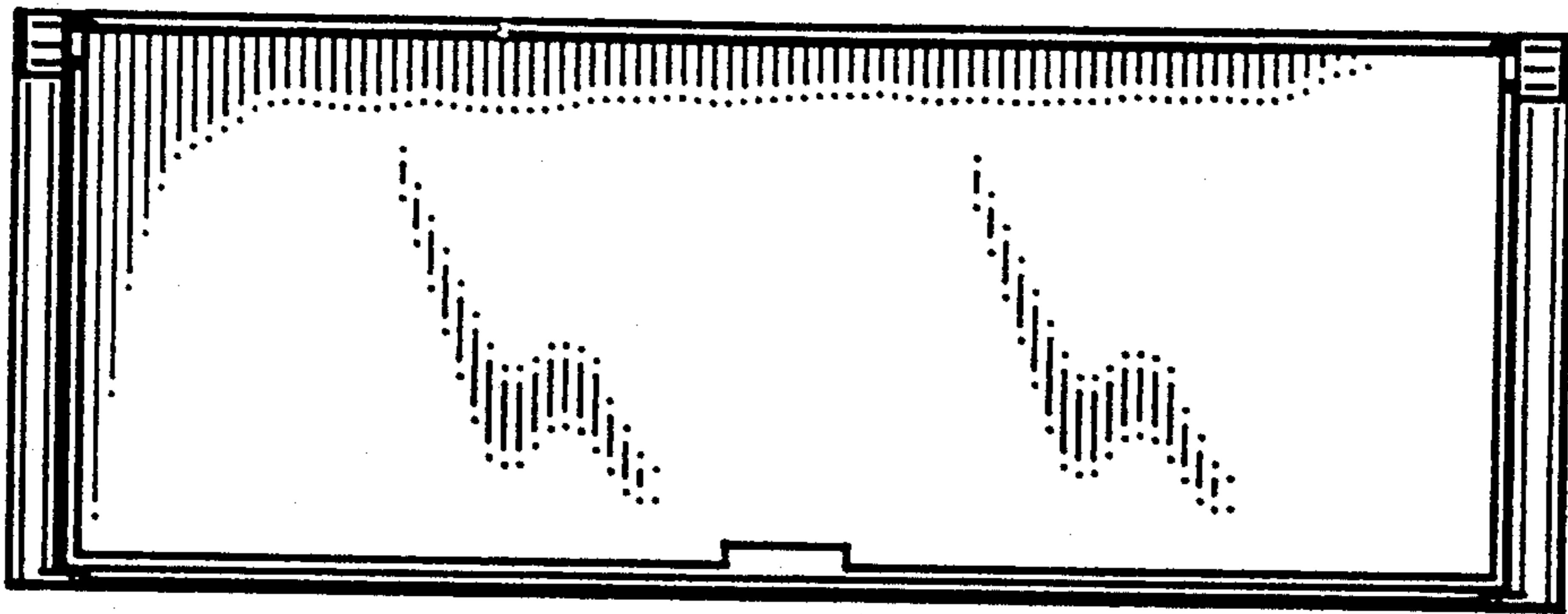


FIG. 4

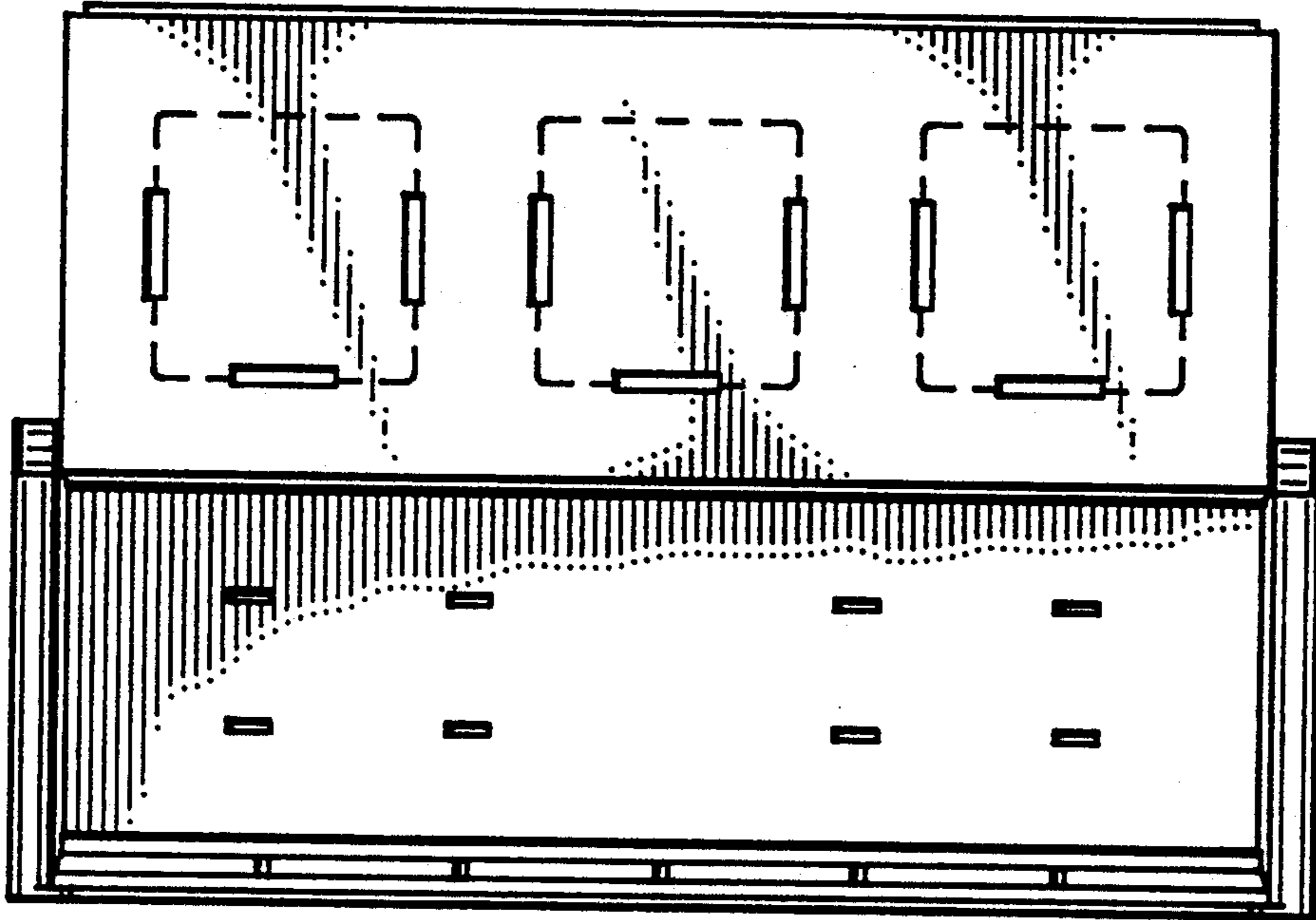


FIG. 5

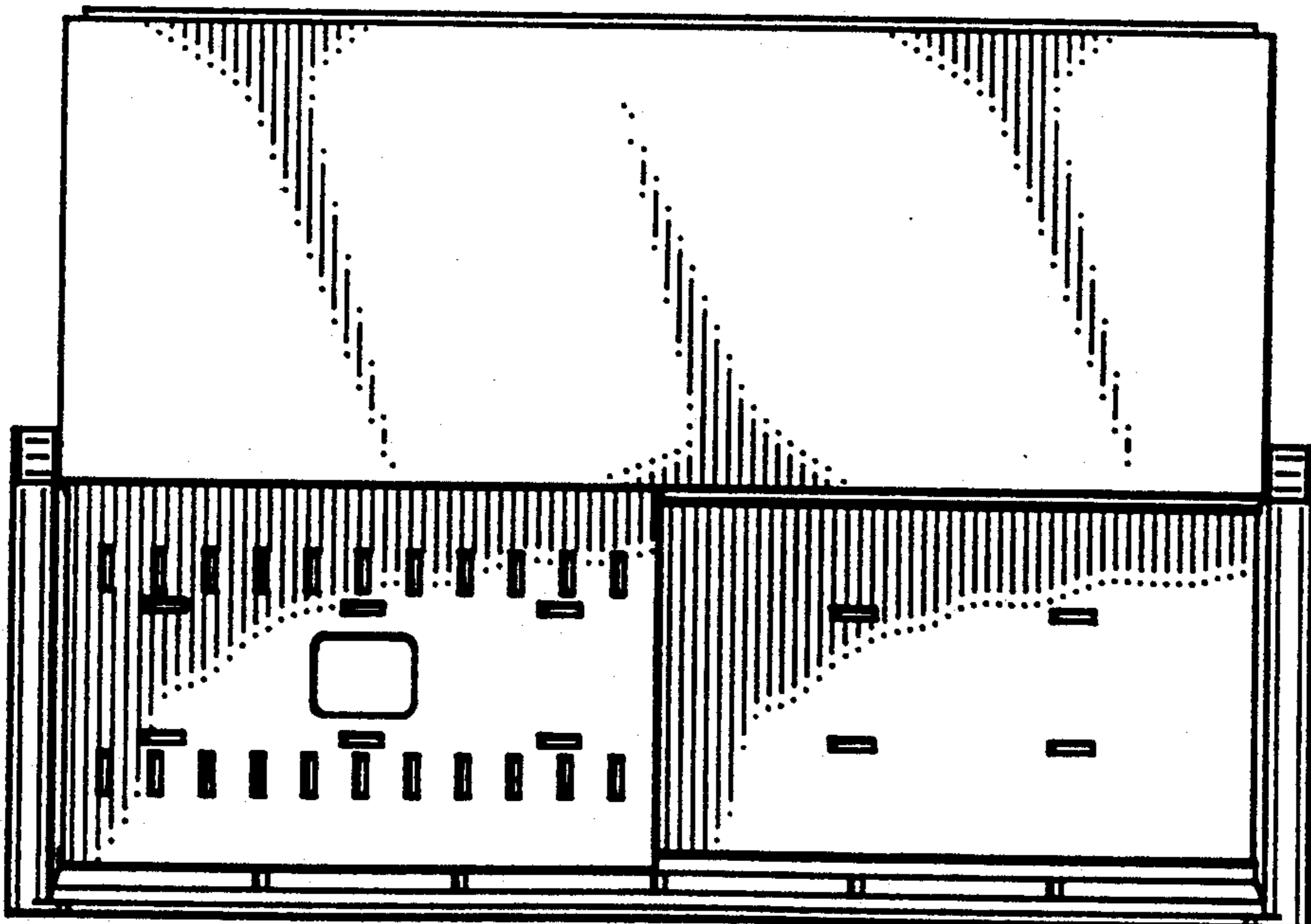


FIG. 6

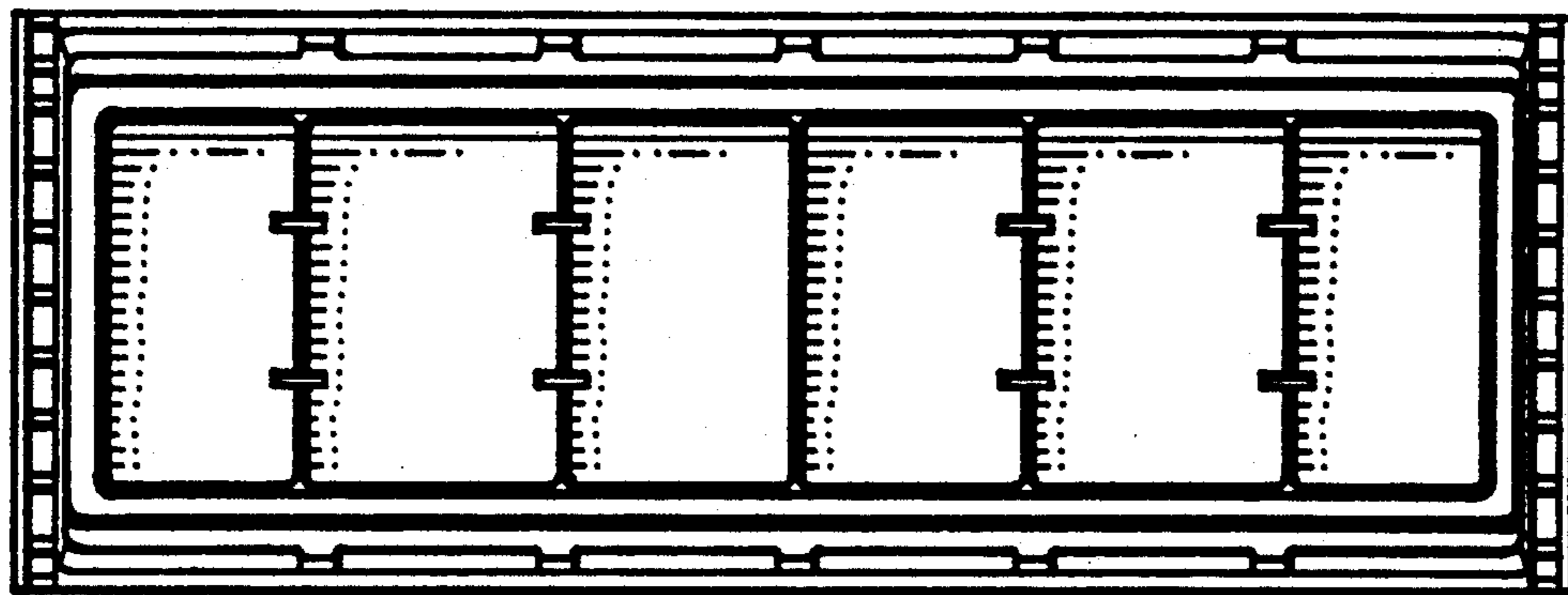


FIG. 7

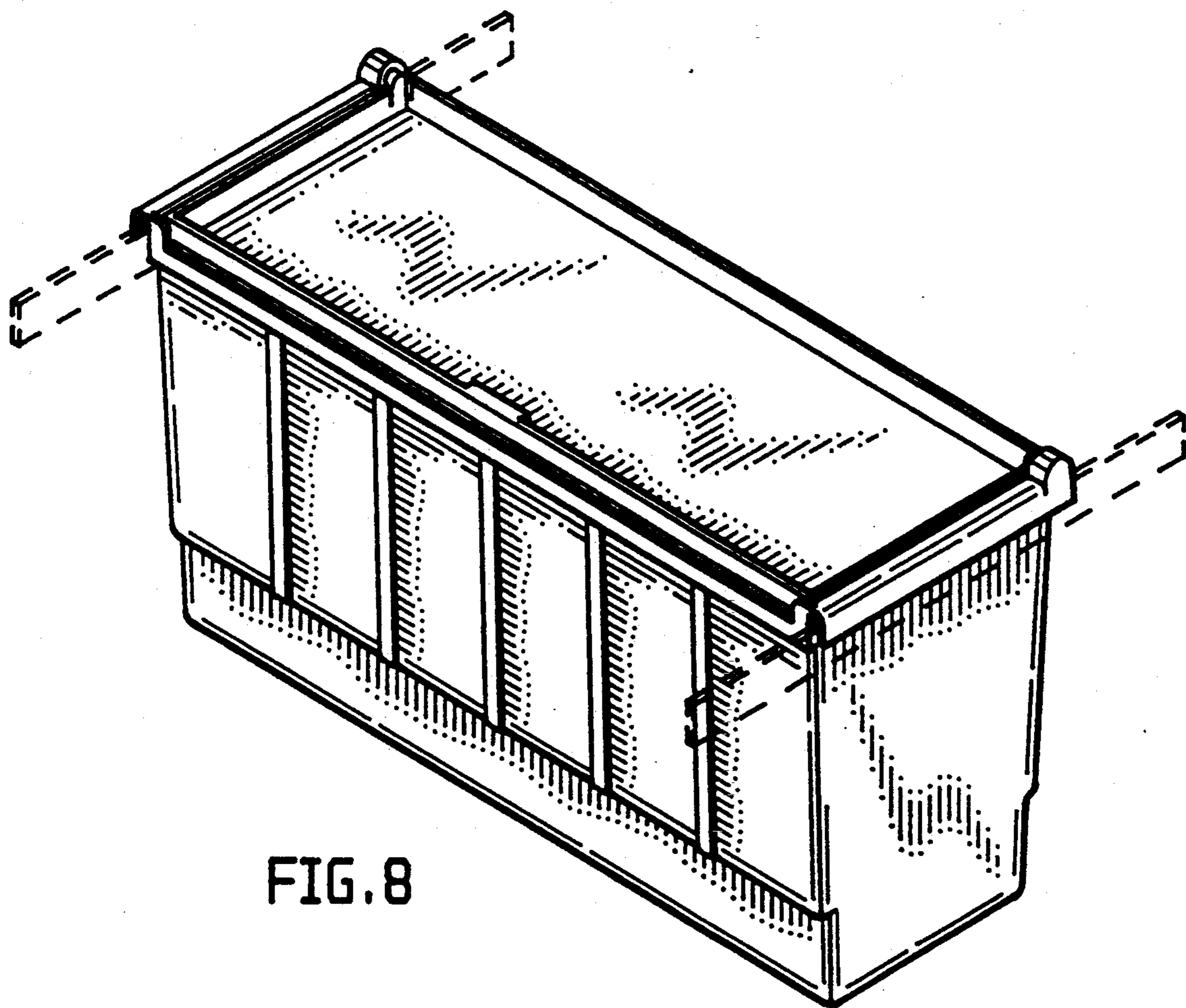


FIG. 8