



US00D337652S

United States Patent [19]

[11] Patent Number: **Des. 337,652**

Vierra

[45] Date of Patent: **** Jul. 27, 1993**

- [54] CARRIER FOR COMPACT DISCS
- [76] Inventor: **Jeffrey P. Vierra**, 6868 Park Ridge Blvd., San Diego, Calif. 92120
- [**] Term: **14 Years**
- [21] Appl. No.: **667,090**
- [22] Filed: **Mar. 11, 1991**
- [52] U.S. Cl. **D3/35; D3/100; D3/74; D3/79**
- [58] Field of Search **D3/30.1, 35, 39, 56, D3/59, 60, 71, 74, 79, 100; D19/75, 76, 90, 91; D27/155, 157, 159, 172, 186, 189-191; 206/312, 387, 444, 470; 360/133**

4,842,032 6/1989 Mastronardo 206/444
 5,022,528 6/1991 Savoy 206/387

Primary Examiner—A. Hugo Word
Assistant Examiner—Celia A. Murphy
Attorney, Agent, or Firm—Brown, Martin, Haller & McClain

[57] CLAIM

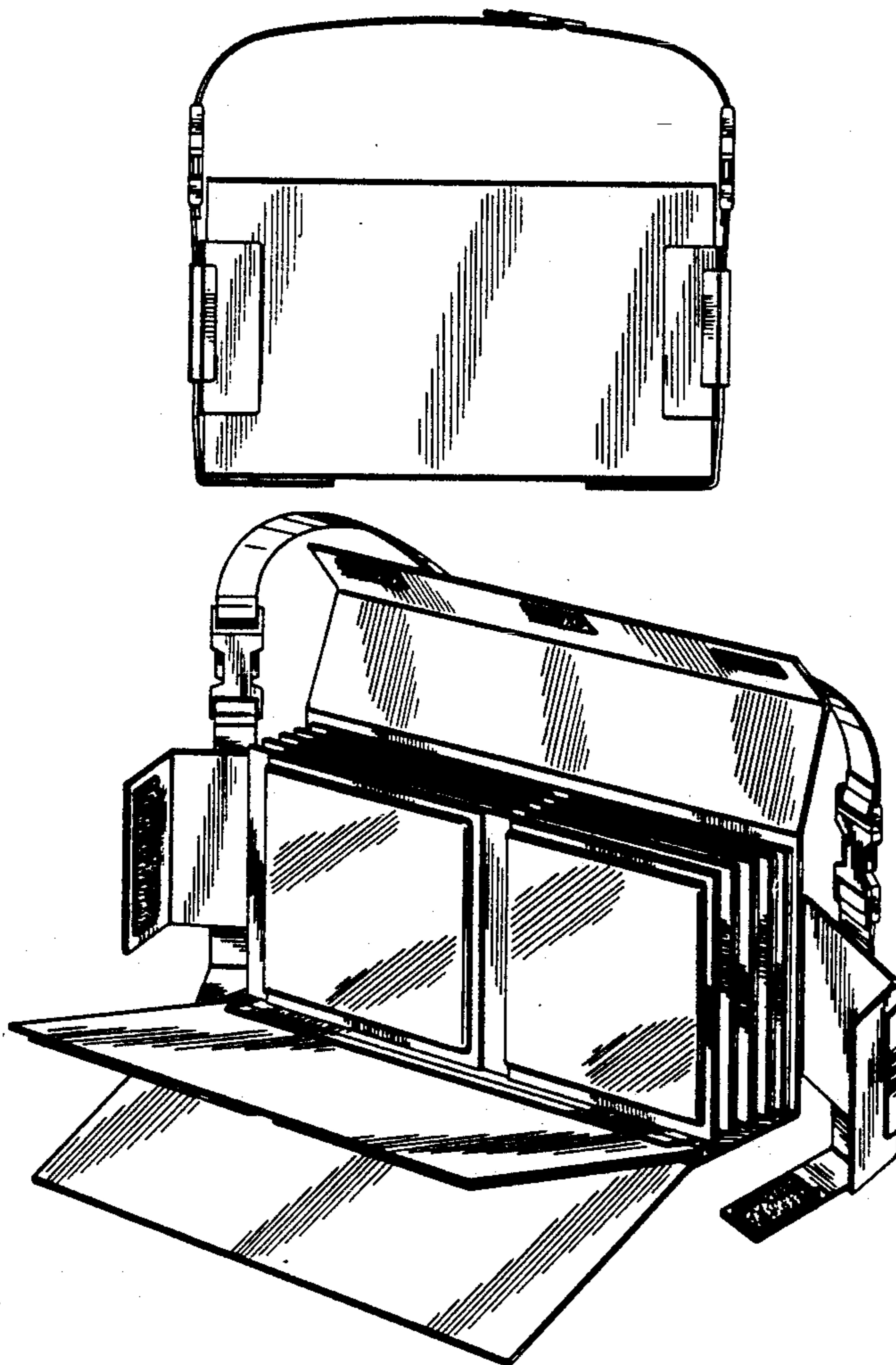
The ornamental design for a carrier for compact discs, as shown and described.

DESCRIPTION

FIG. 1 is a perspective view from the front of a carrier for compact discs, showing my new design;
 FIG. 2 is a rear elevational view thereof;
 FIG. 3 is a bottom plan thereof;
 FIG. 4 is a perspective view thereof shown in an open position;
 FIG. 5 is an end elevational view thereof; and,
 FIG. 6 is a left side elevational view of FIG. 4, top and side flaps being shown repositioned.
 Each interior pocketed sheet is understood to have the same front and rear appearances as those sheets shown in FIG. 4.

[56] **References Cited**
U.S. PATENT DOCUMENTS

D. 234,410	2/1975	Rosenblum	D3/74
D. 257,915	1/1981	Katz	D3/74
D. 264,524	5/1982	Merzon	D3/35
D. 271,161	11/1983	Compton	D3/35
D. 281,837	12/1985	Liu	D3/74
D. 316,180	4/1991	Hines	D3/35



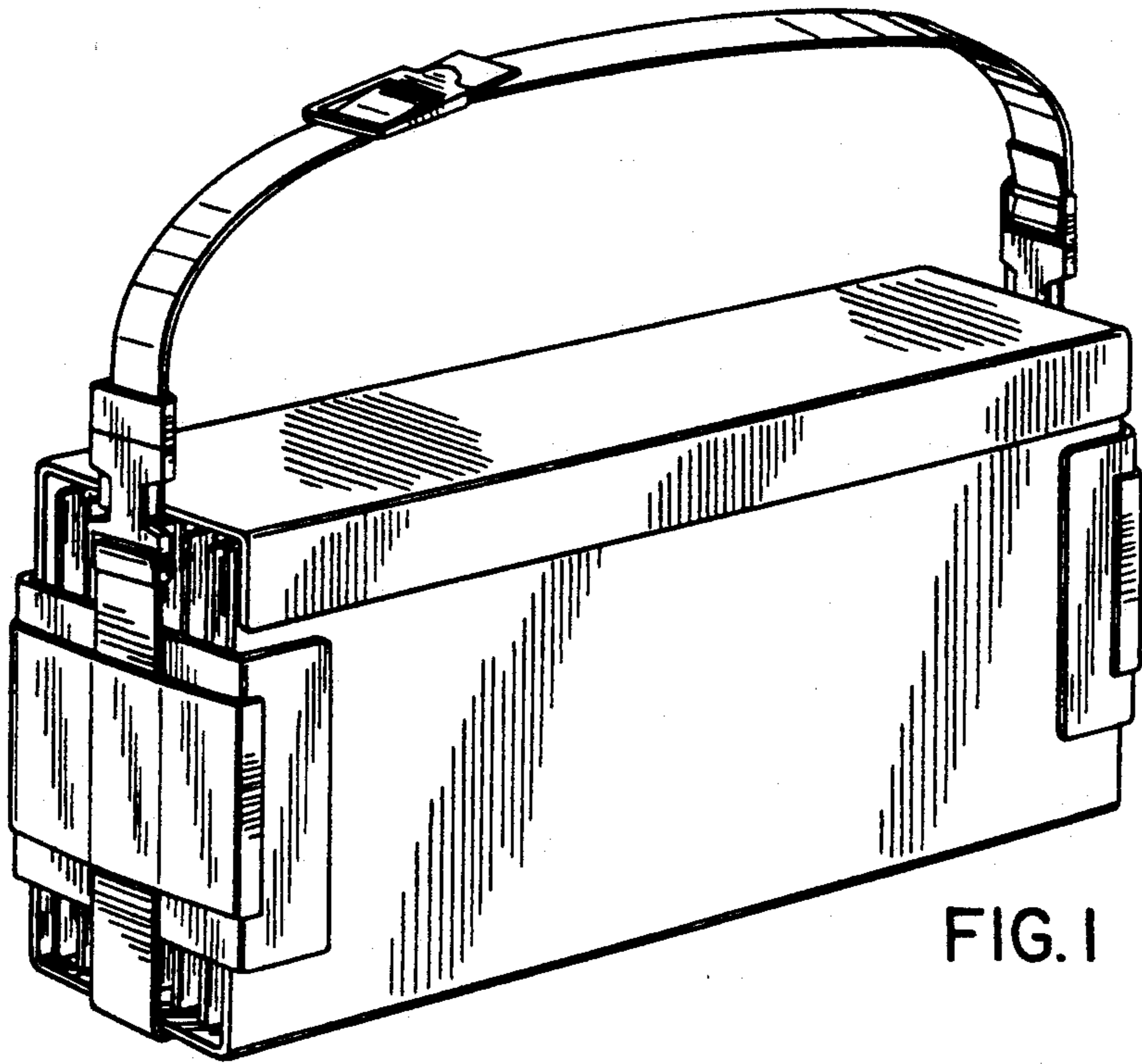


FIG. 1

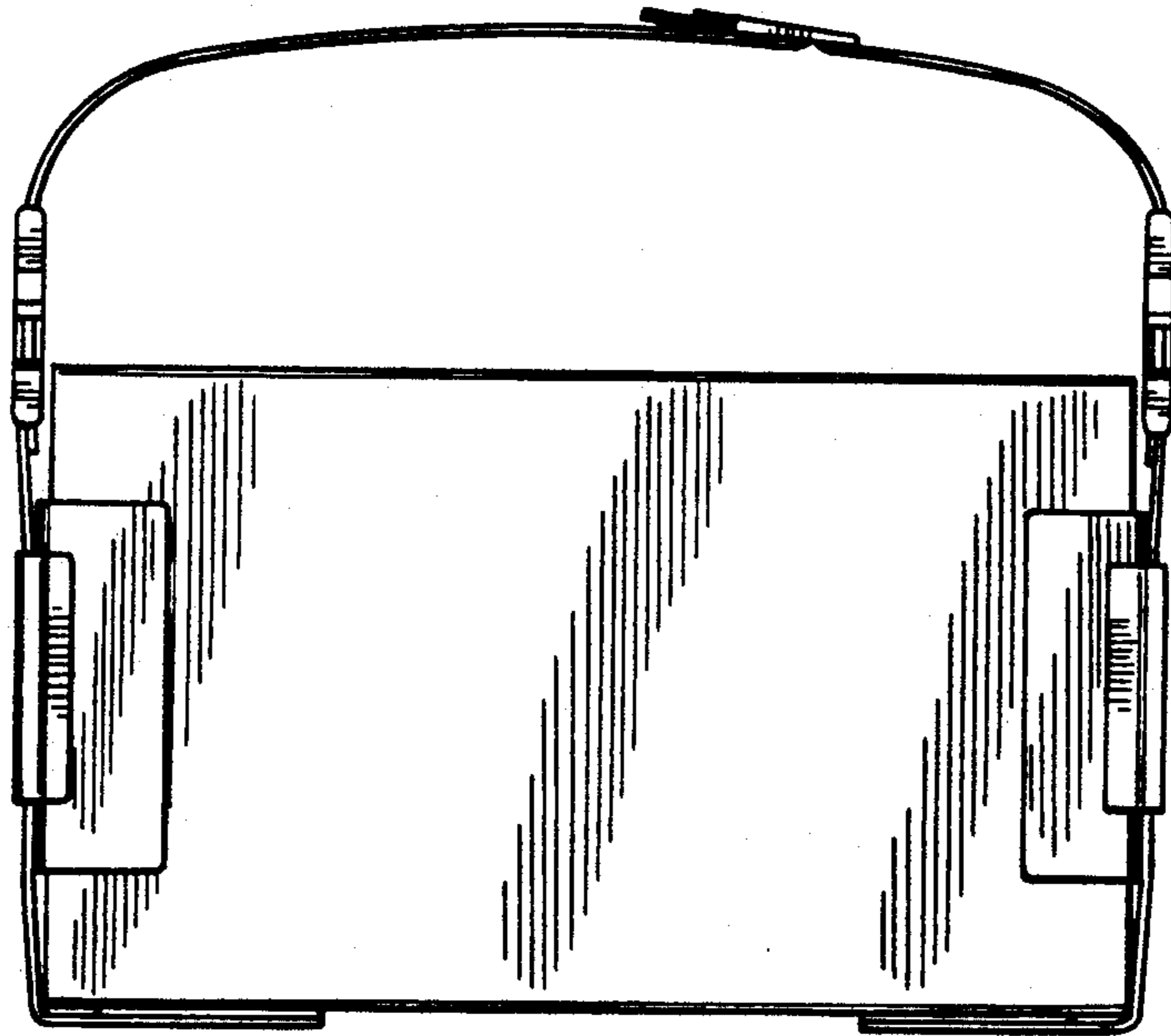


FIG. 2

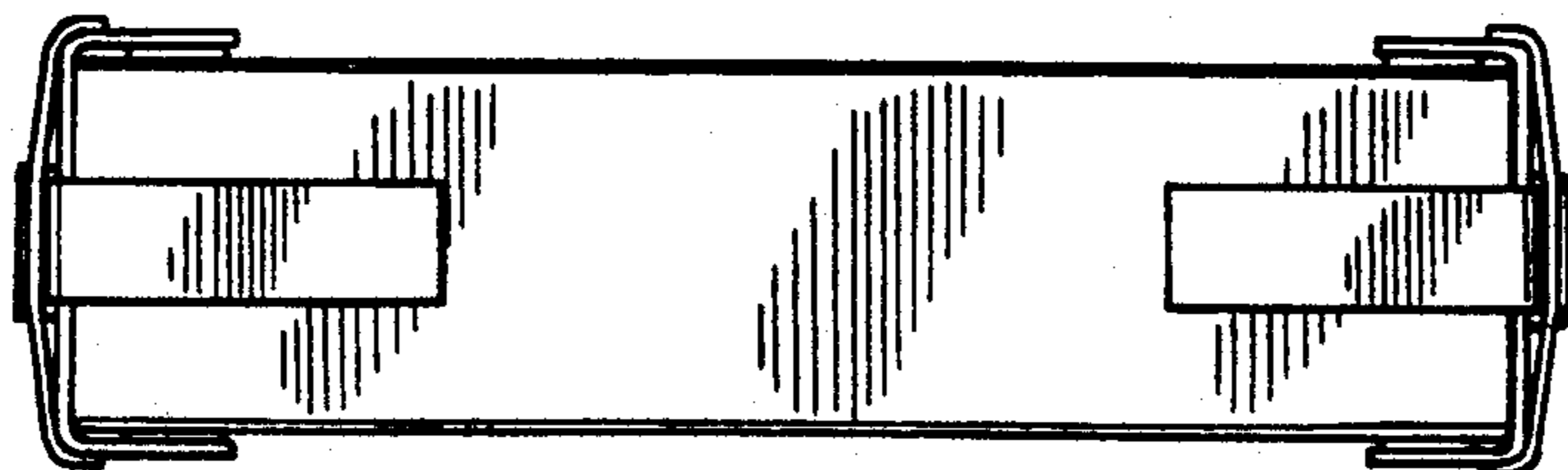


FIG. 3

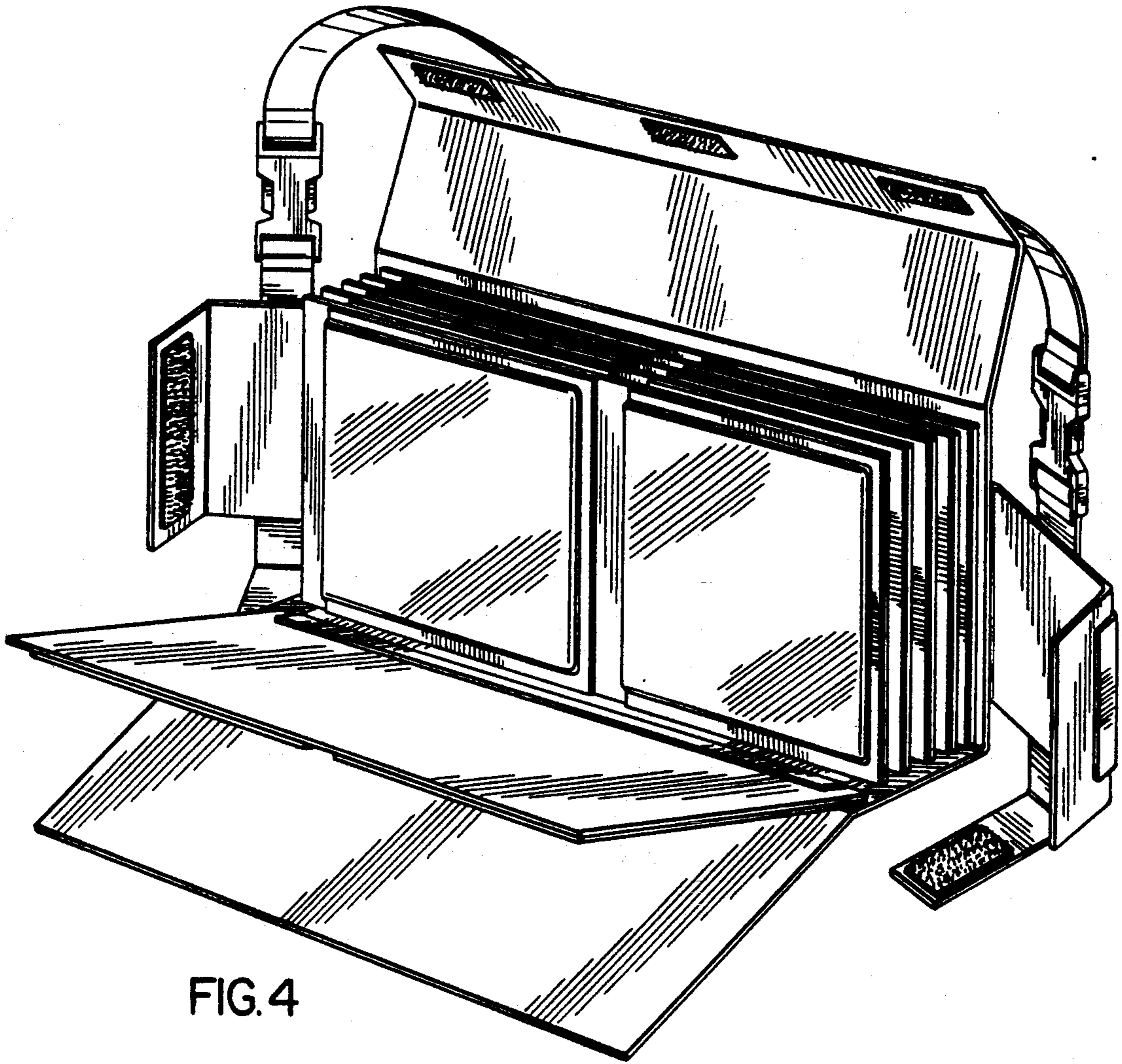


FIG. 4

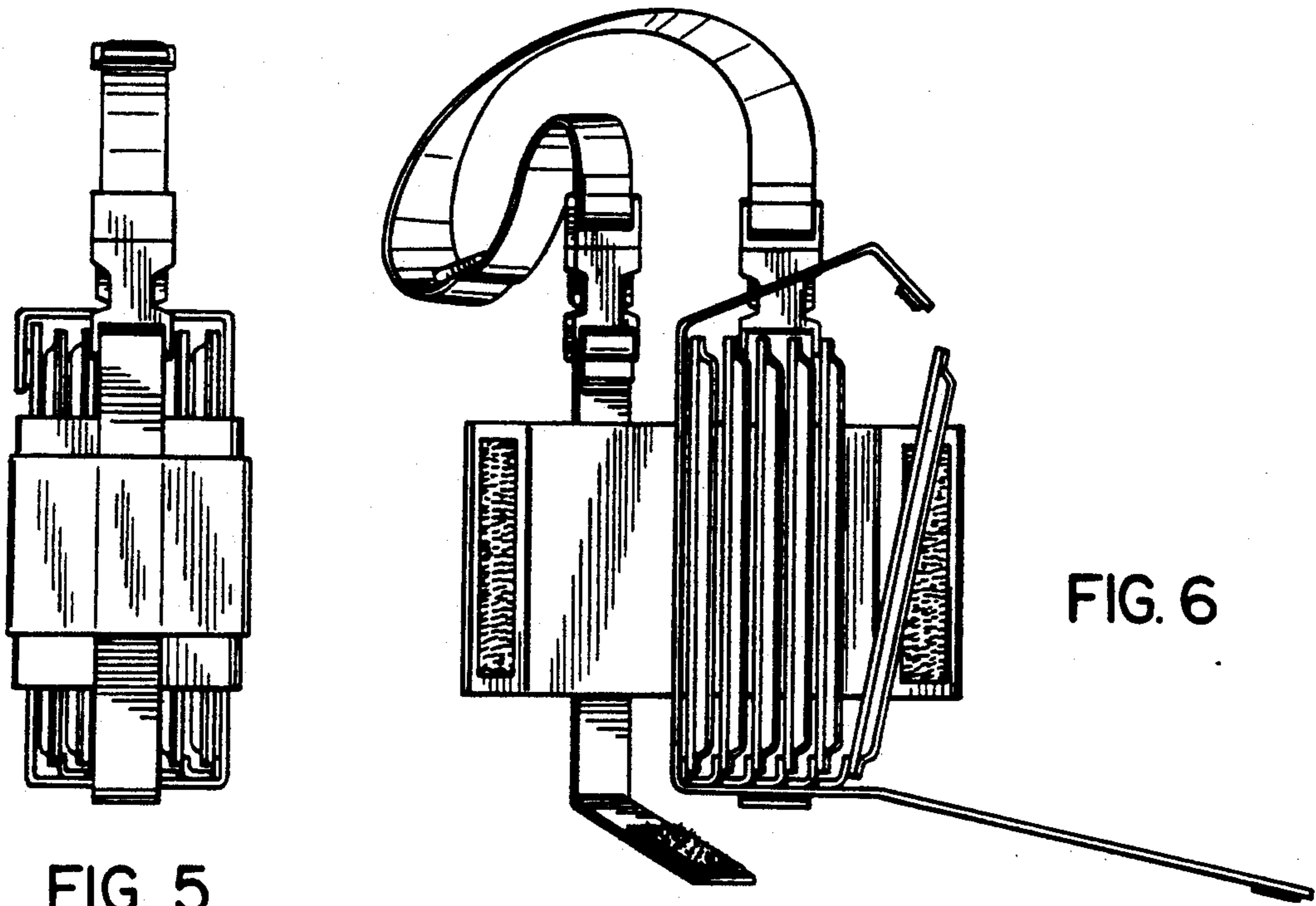


FIG. 5

FIG. 6