



US00D337645S

United States Patent [19]

[11] Patent Number: Des. 337,645

Guziejka

[45] Date of Patent: ** Jul. 27, 1993

[54] MAD CAPPER SPORTS CAP

[76] Inventor: Donald V. Guziejka, 1078 Topsail Dr., Vallejo, Calif. 94591

[**] Term: 14 Years

[21] Appl. No.: 643,680

[22] Filed: Jan. 18, 1991

[52] U.S. Cl. D2/246

[58] Field of Search D2/244, 250, 512, 246, D2/245; 2/171.3, 173.5, 187, 172, 174, 185 R, 184.5, 171, 199, 197, 177, 177.5, 183, 207, 198, 202

[56] References Cited

U.S. PATENT DOCUMENTS

D. 136,334	9/1943	Witz	D2/512
D. 136,884	12/1943	Maxwell et al.	D2/246
2,897,510	8/1959	Forbes-Robinson	2/195 X
3,085,252	4/1963	Smith	2/195
3,166,766	1/1965	Banello, Jr.	D2/510 X
4,872,218	10/1989	Holt	2/171.5

OTHER PUBLICATIONS

The Men's Wear Item, 1952, bottom left p. 79 Polka Hat.

Toy's, Oct. 1985 p.10, bottom left Care Bears.

Spalding 1968 Premium/Incentive Buyer's Guide front page.

The Sports Section 1990 p. 16 middle left #23, middle right, E.

Primary Examiner—Bernard Ansher

Assistant Examiner—Paula Mortimer

Attorney, Agent, or Firm—Leon Gilden

[57] CLAIM

The ornamental design for a mad capper sports cap, as shown and described.

DESCRIPTION

FIG. 1 is a front elevational view of the mad capper sports cap showing my new design;

FIG. 2 is a rear elevational view thereof;

FIG. 3 is a left side elevational view thereof;

FIG. 4 is a right side elevational view thereof;

FIG. 5 is a top plan view thereof; and,

FIG. 6 is a bottom plan view thereof.

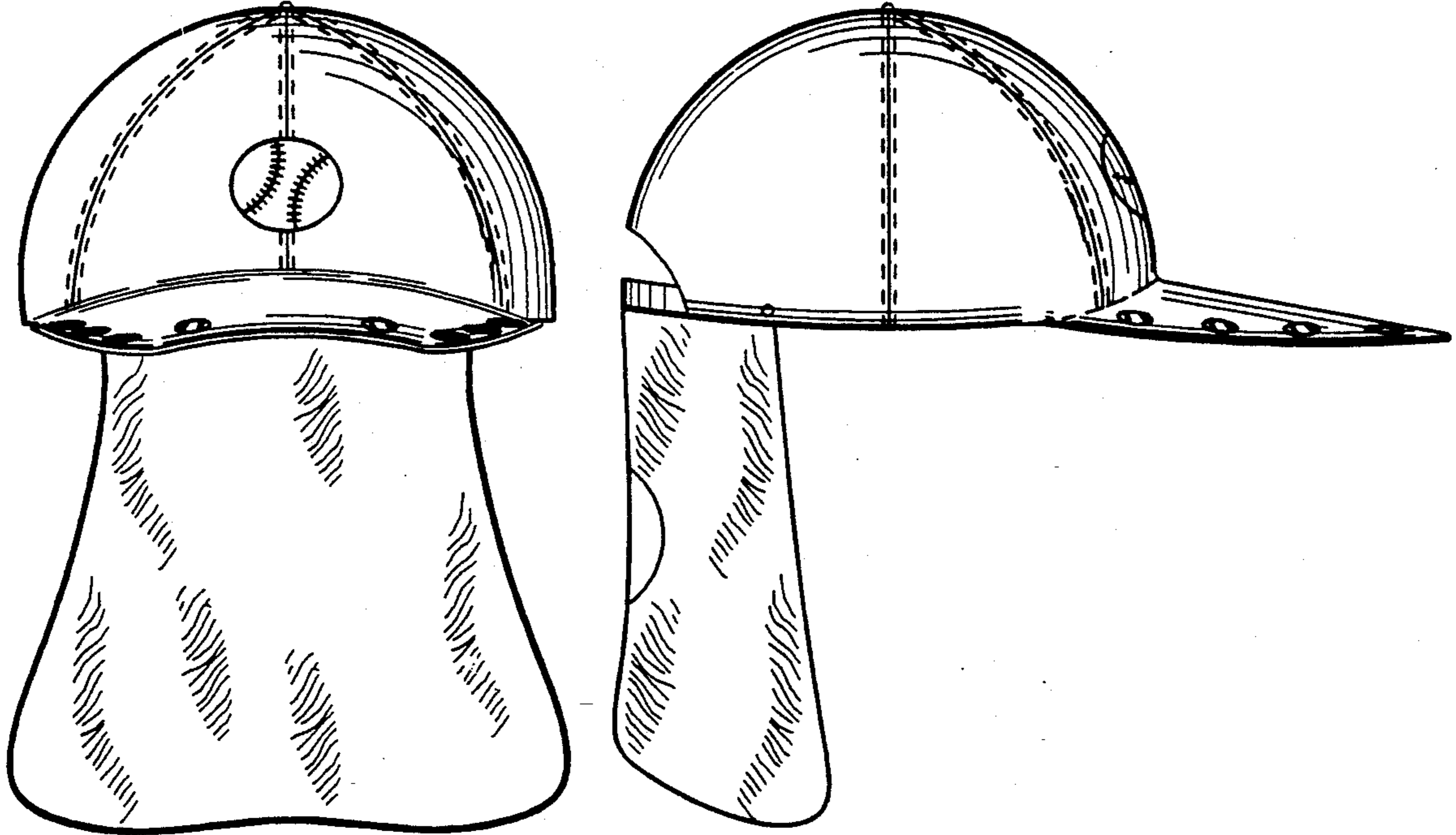


FIG. 1

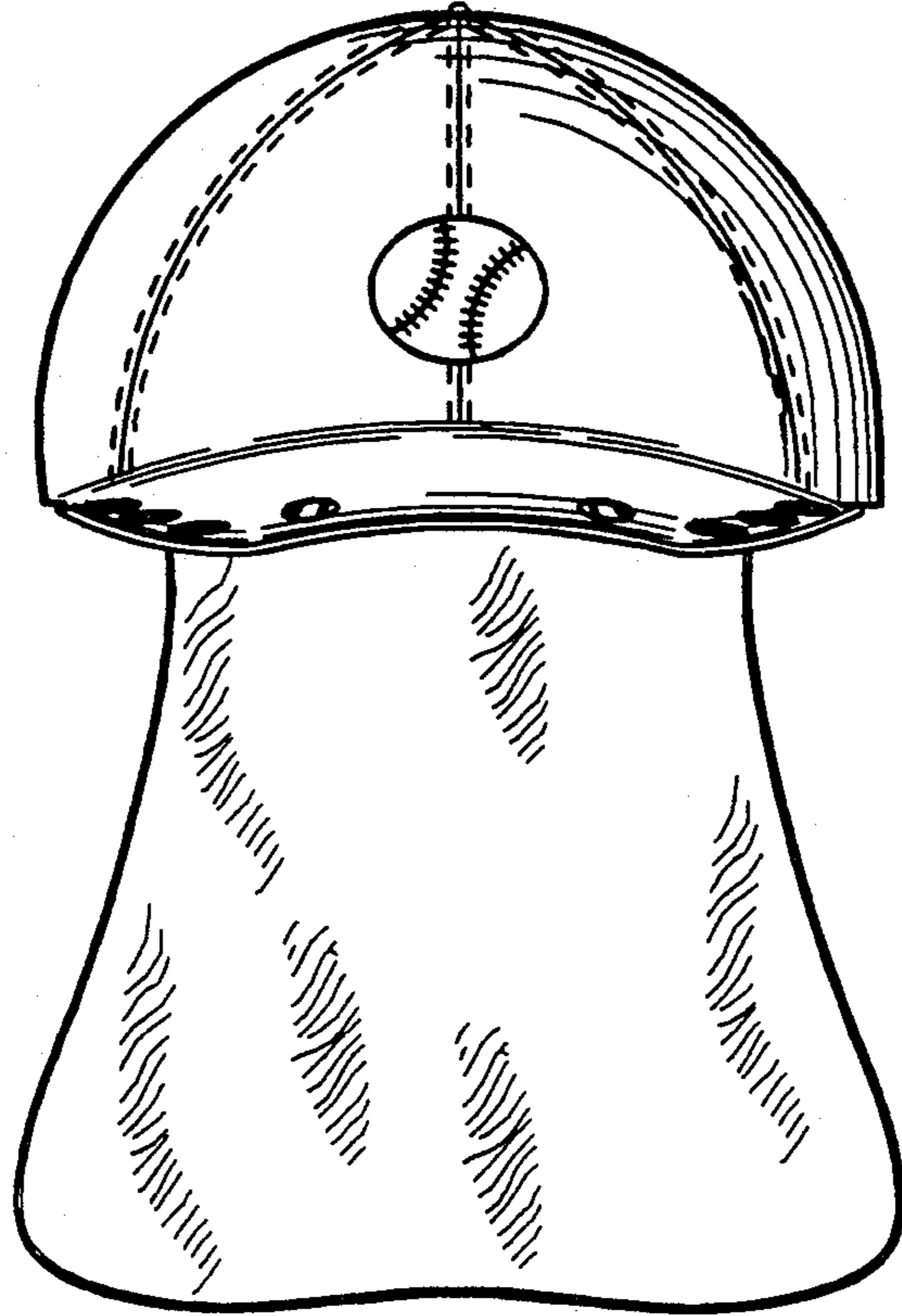


FIG. 2

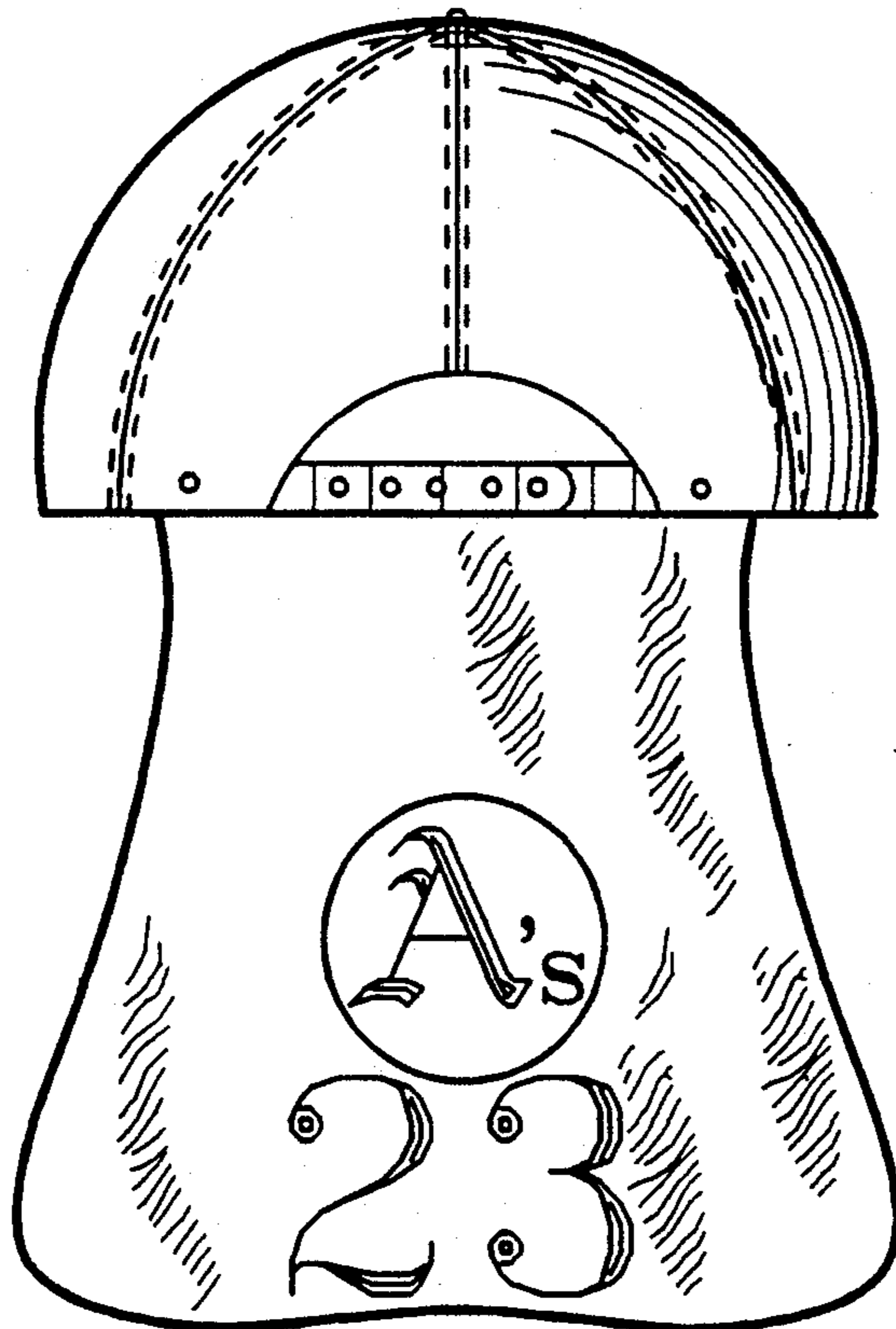


FIG. 3

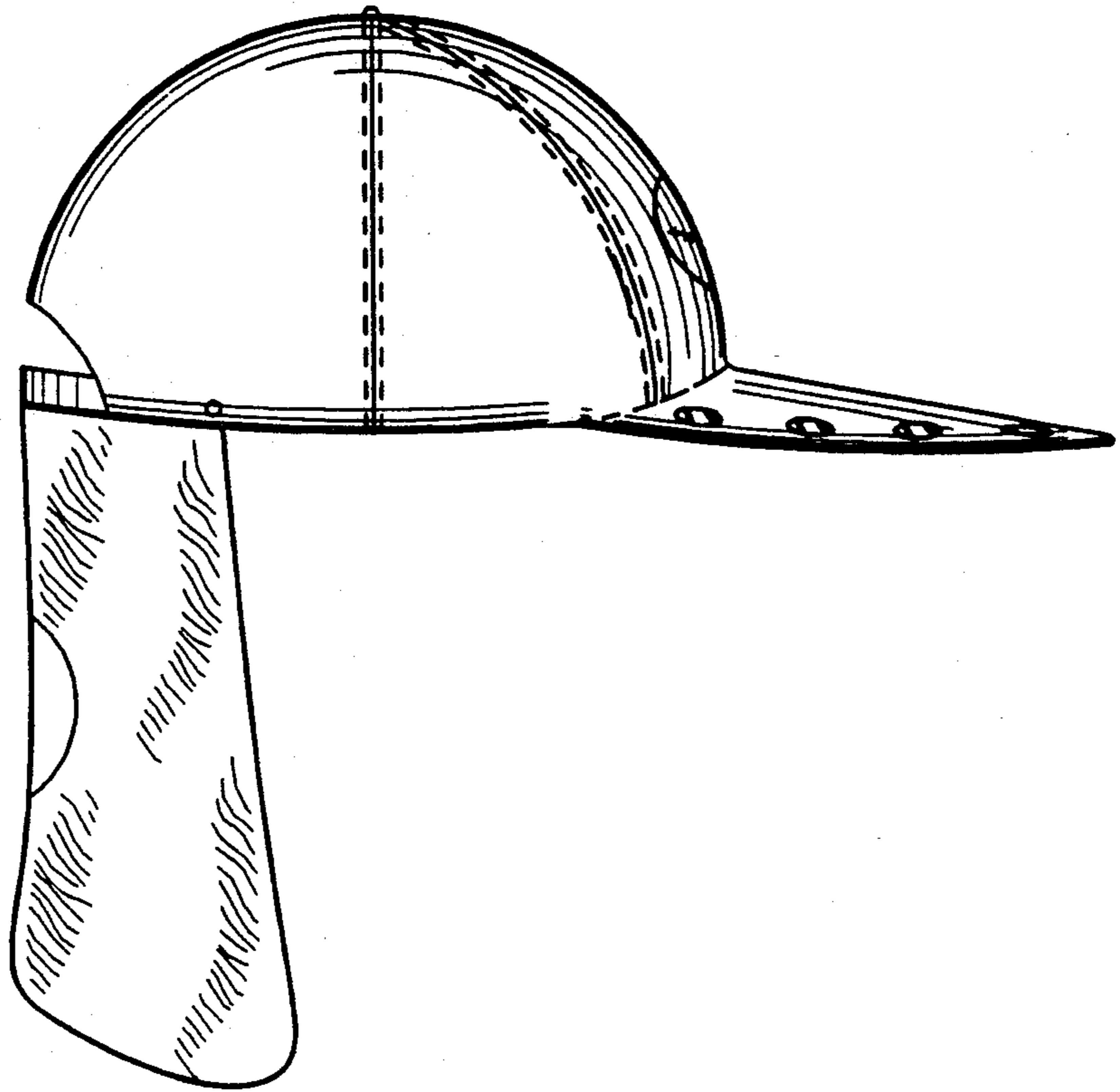


FIG. 4

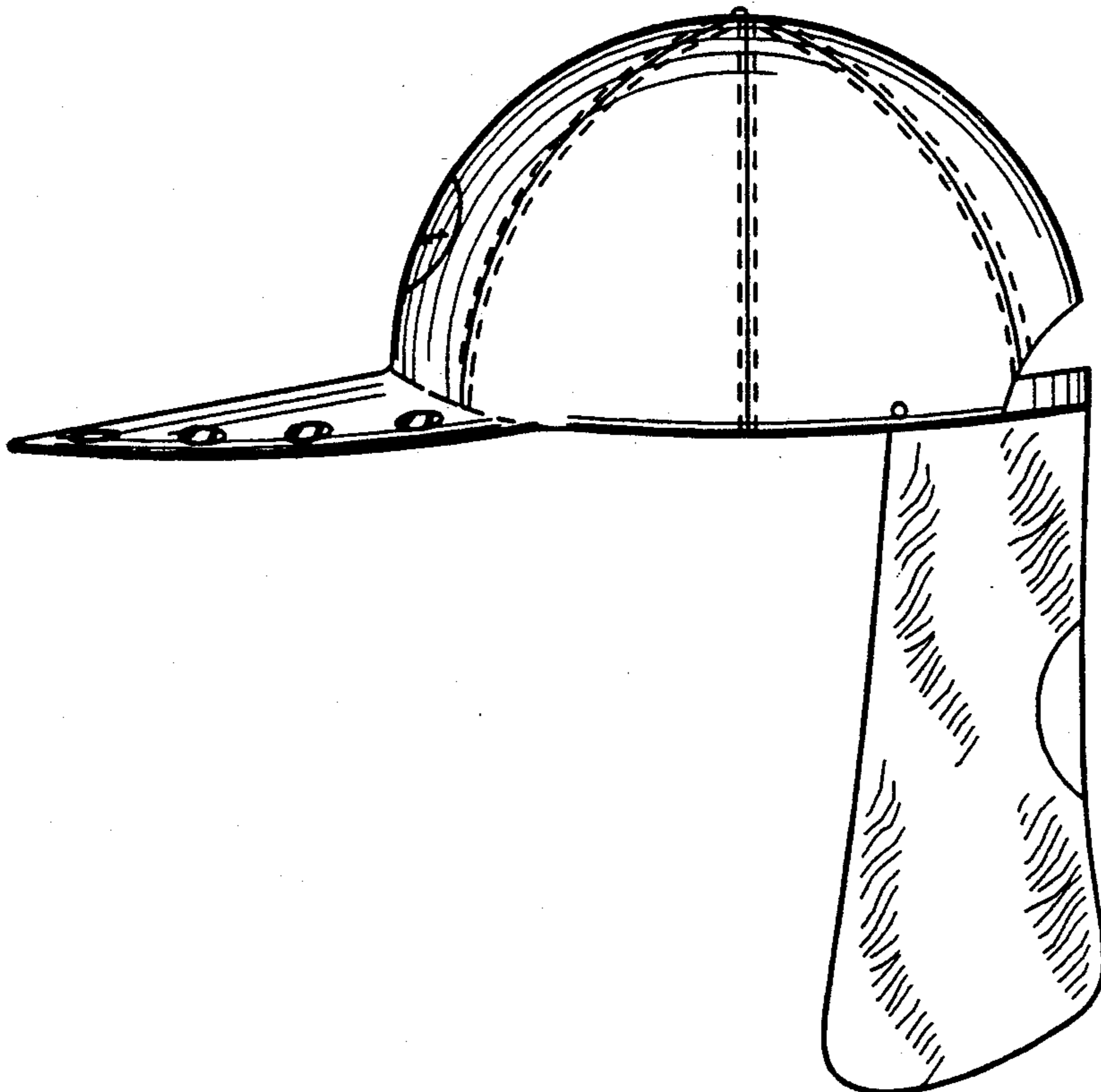


FIG. 5

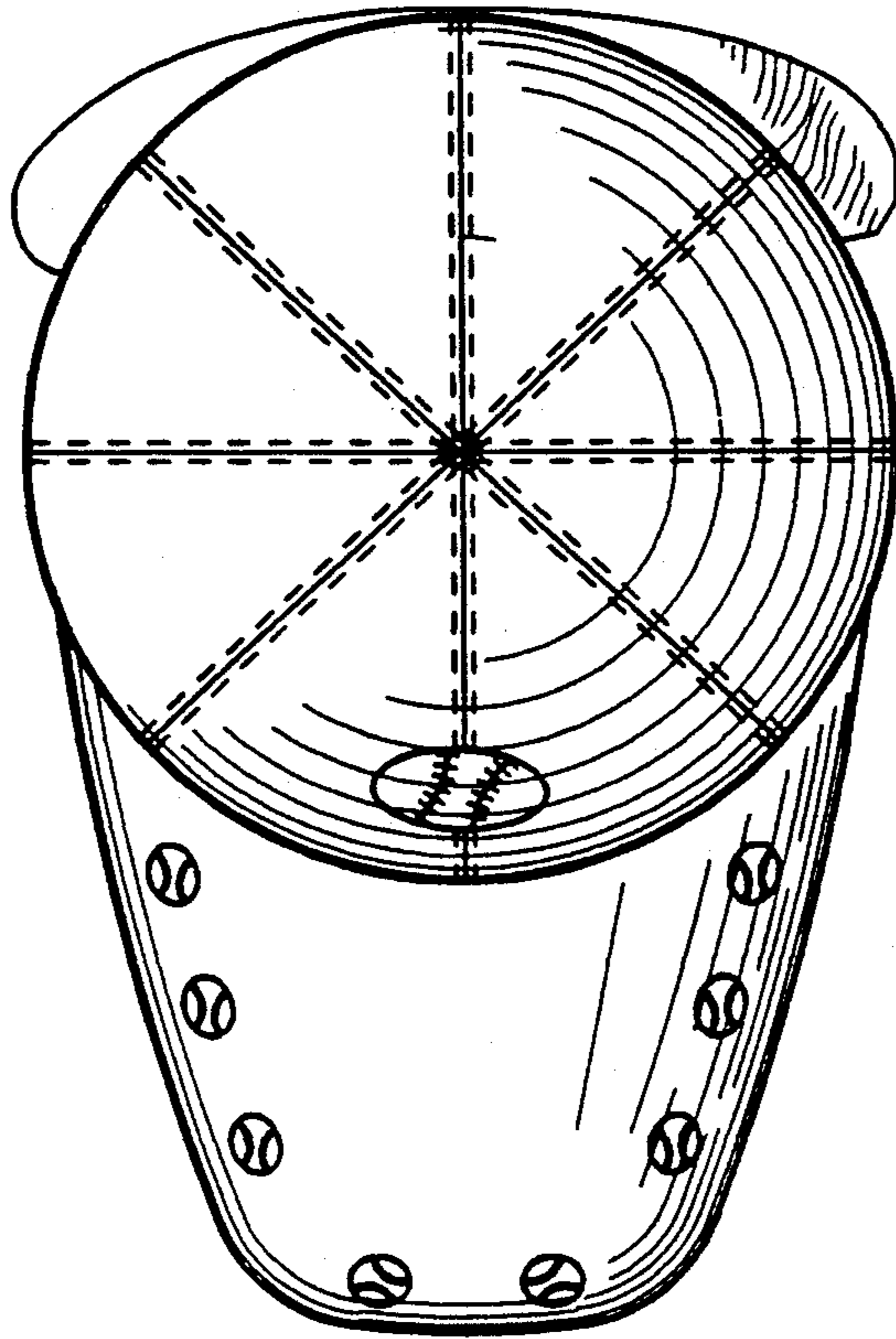


FIG. 6

