



US00D337639S

# United States Patent [19]

[11] Patent Number: Des. 337,639

Beckman

[45] Date of Patent: \*\* Jul. 20, 1993

## [54] COMBINED IMPACTOR AND EXTRACTOR FOR PROSTHETIC IMPLANTS

[75] Inventor: Audrey M. Beckman, Warsaw, Ind.

[73] Assignee: Zimmer, Inc., Warsaw, Ind.

[\*\*] Term: 14 Years

[21] Appl. No.: 618,328

[22] Filed: Nov. 21, 1990

[52] U.S. Cl. .... D24/133; D24/142

[58] Field of Search ..... D24/133, 142, 146, 147; 227/147, 14, 152; 623/23, 18, 22, 20; 606/81, 91, 88, 89, 90, 91, 53

Zimmer, Inc.—1990 MG II Knee System—Tibial and Femoral Impactor.

Zimmer, Inc. 1987 Catalog (p. A43)—Slaphammer 6651-06.

Zimmer, Inc. 1981 Catalog (p. A172)—Femoral Impactor/Extractor for Attenborough Knee.

Zimmer, Inc. 1990—I/B II Tibial Tray Provisional Extractor.

Zimmer, Inc. 1987 Catalog (p. F6)—Series 3 Oscillating Saw Wrench.

Primary Examiner—Stella Reid

Assistant Examiner—Ian Simmons

Attorney, Agent, or Firm—Margaret L. Geringer

## [56] References Cited

### U.S. PATENT DOCUMENTS

D. 230,095	1/1974	Rylee	.....	D24/133
D. 230,097	1/1974	Rylee	.....	D24/133
D. 249,705	9/1978	London	.....	D24/133
D. 290,399	6/1987	Kitchens	.....	D24/142
3,750,652	8/1973	Sherwin	.....	606/90
3,857,389	12/1974	Amstutz	.....	128/92 EC
4,222,382	9/1980	Antonsson et al.	.....	128/303 R
4,263,903	4/1981	Griggs	.....	128/92 B
4,364,389	12/1982	Keller	.....	128/303 R
4,389,913	6/1983	Drouin et al.	.....	81/53.2
4,438,769	3/1984	Pratt et al.	.....	128/334 R
4,459,985	7/1984	McKay et al.	.....	128/303 R
4,531,517	7/1985	Forte et al.	.....	128/92 EC
4,592,346	6/1986	Jurgutis	.....	128/92 B
4,721,104	1/1988	Kaufman et al.	.....	128/92 VW
4,993,410	2/1991	Kimsey	.....	623/22 X
5,002,547	3/1991	Poggie et al.	.....	606/90 X

### OTHER PUBLICATIONS

Depuy Synatomic Knee Tibial Plateau Components with Porocoat—(Impactor Instruments)—1986.

Johnson & Johnson (J&J)—PFC Knee Surgical Technique (Femoral Inserter)—No date available.

Kirschner Medical Corporation—The Performance Knee—Truly Modular Total Knee System (Various Handle and Drivers)—1989.

## [57] CLAIM

The ornamental design for a combined impactor and extractor for prosthetic implants, as shown and described.

## DESCRIPTION

FIG. 1 is a perspective view of a combined impactor and extractor for prosthetic implants showing my new design;

FIG. 2 is a side elevational view thereof;

FIG. 3 is a rear elevational view thereof, opposite to the front view seen in FIG. 1 and with the jaws in a closed position;

FIG. 4 is a side elevational view thereof opposite that shown in FIG. 2;

FIG. 5 is an end elevational view thereof, with the jaws in an open position;

FIG. 6 is an end elevational view thereof, with the jaws in a closed position;

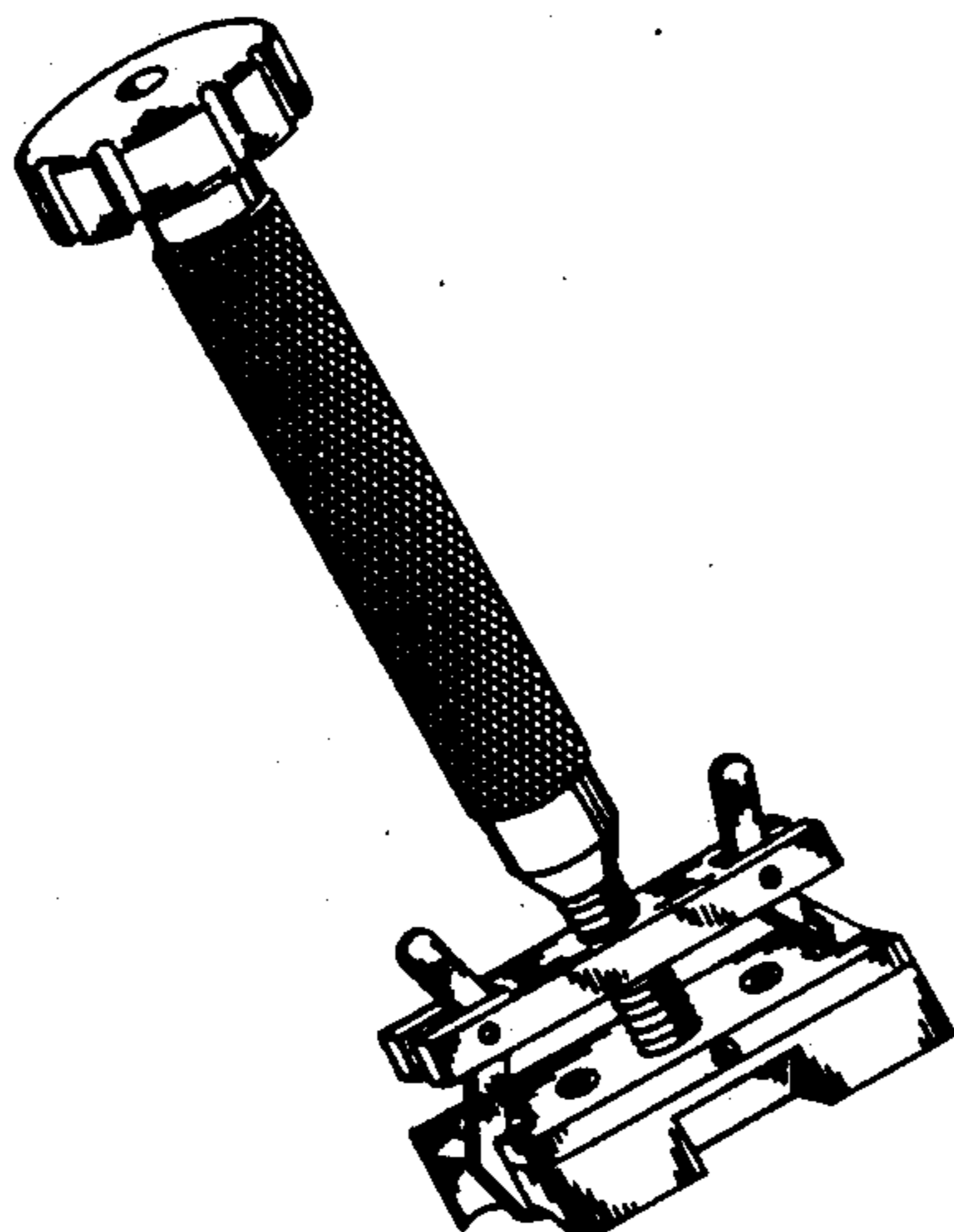
FIG. 7 is an end elevational view thereof, opposite to that shown in FIG. 6;

FIG. 8 is a cross-sectional view thereof taken along lines 8—8 of FIG. 2;

FIG. 9 is a cross-sectional view thereof taken along lines 9—9 of FIG. 2;

FIG. 10 is a rear elevational view thereof, with the jaws in an open position; and,

FIG. 11 is a cross-sectional view thereof taken along lines 11—11 of FIG. 4.



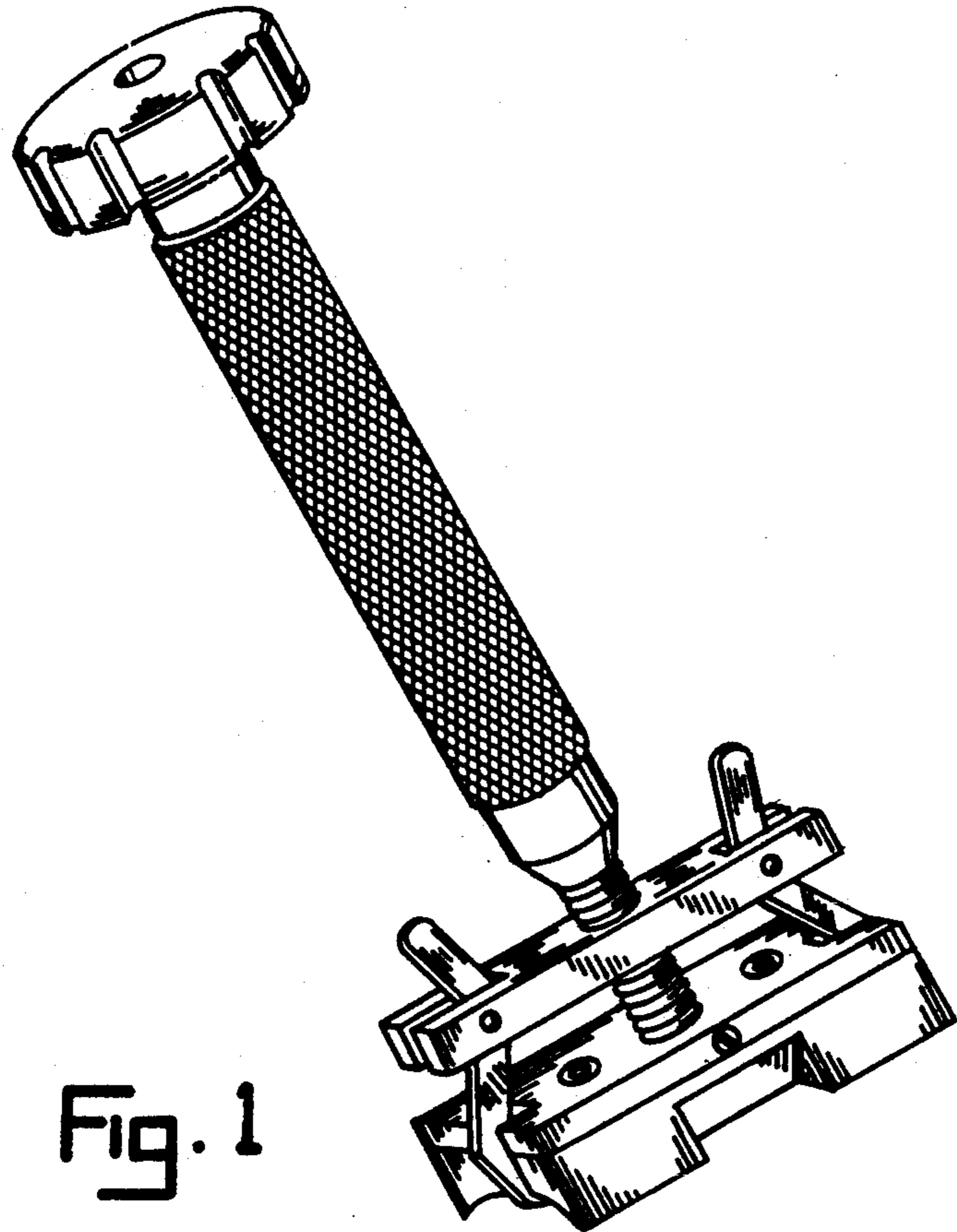


Fig. 1

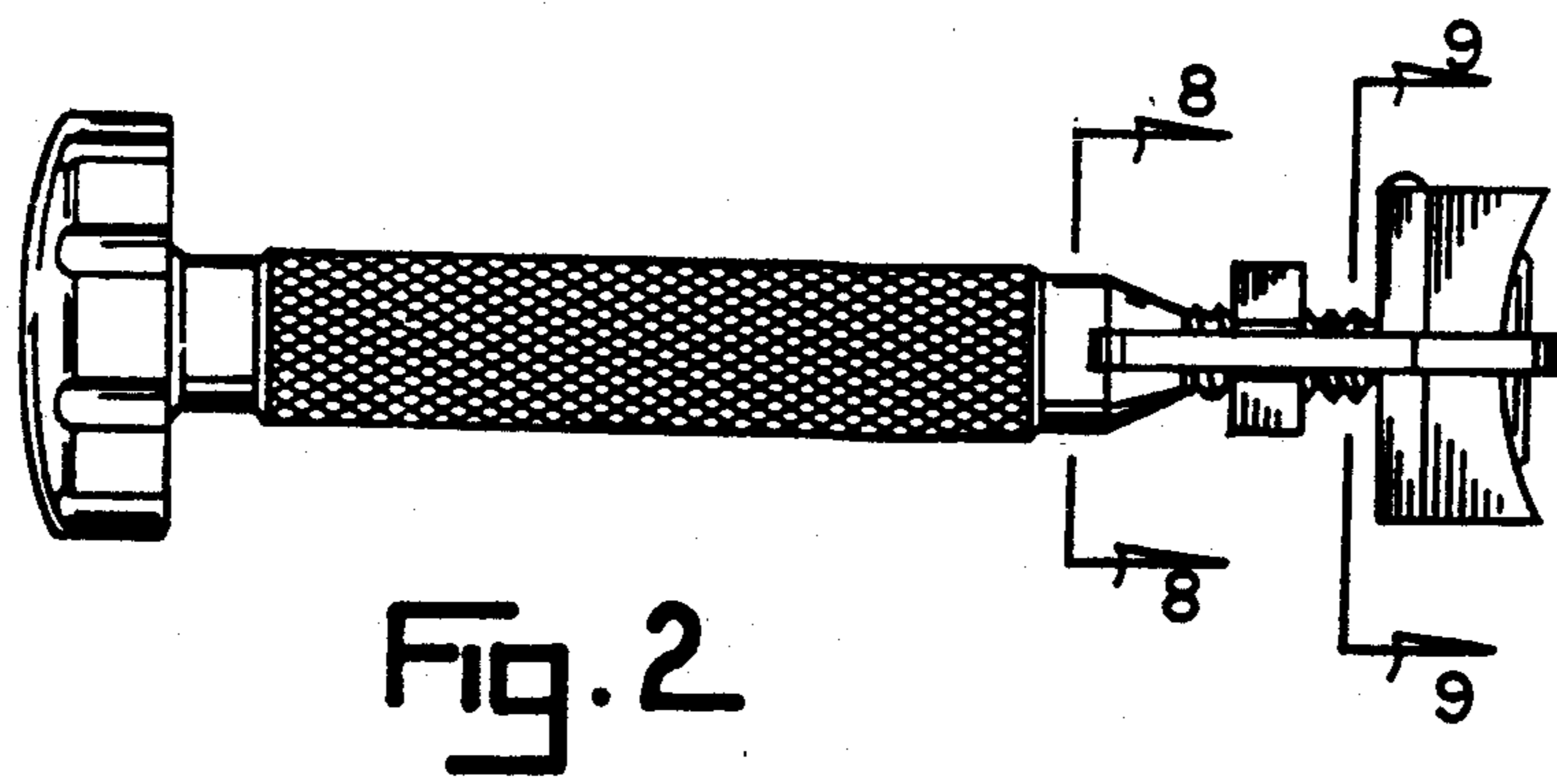


Fig. 2

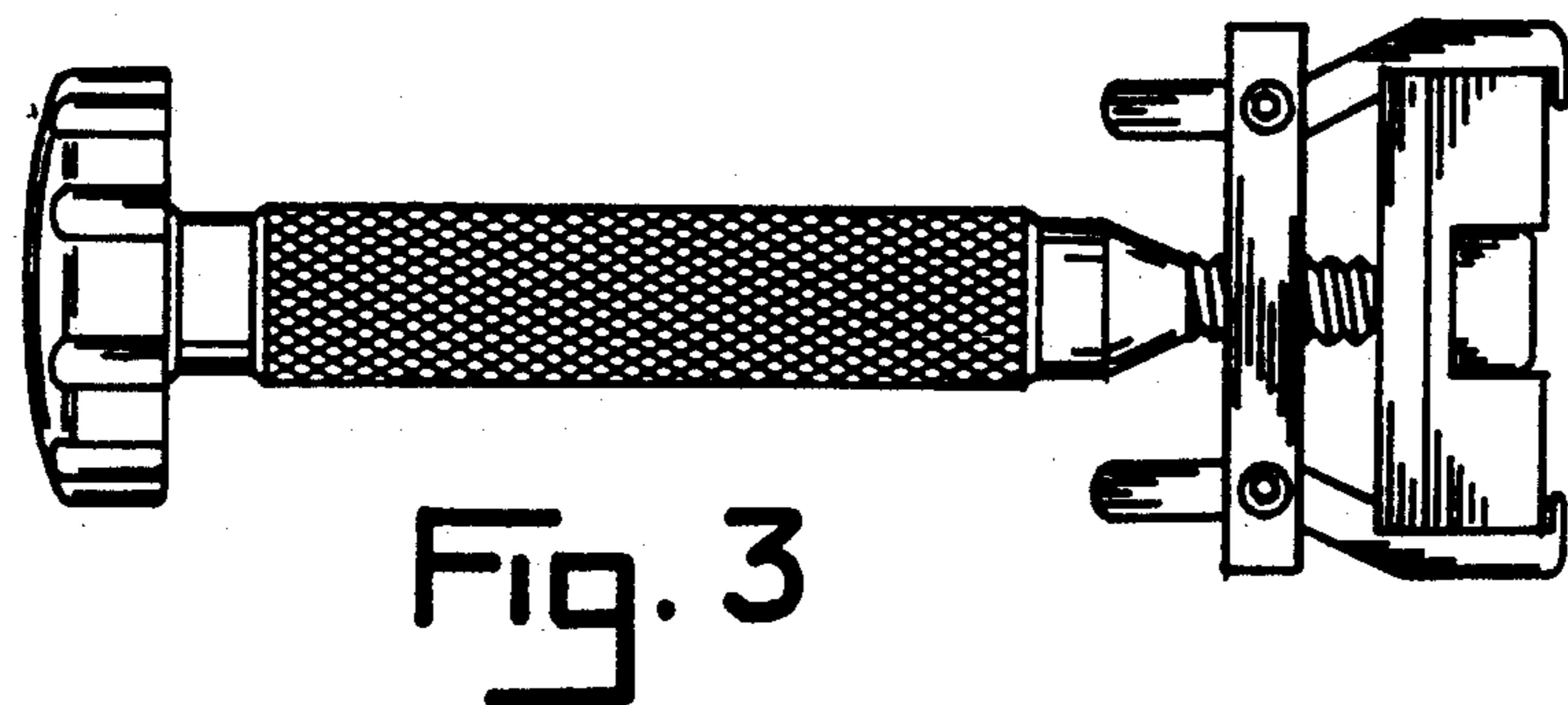


Fig. 3

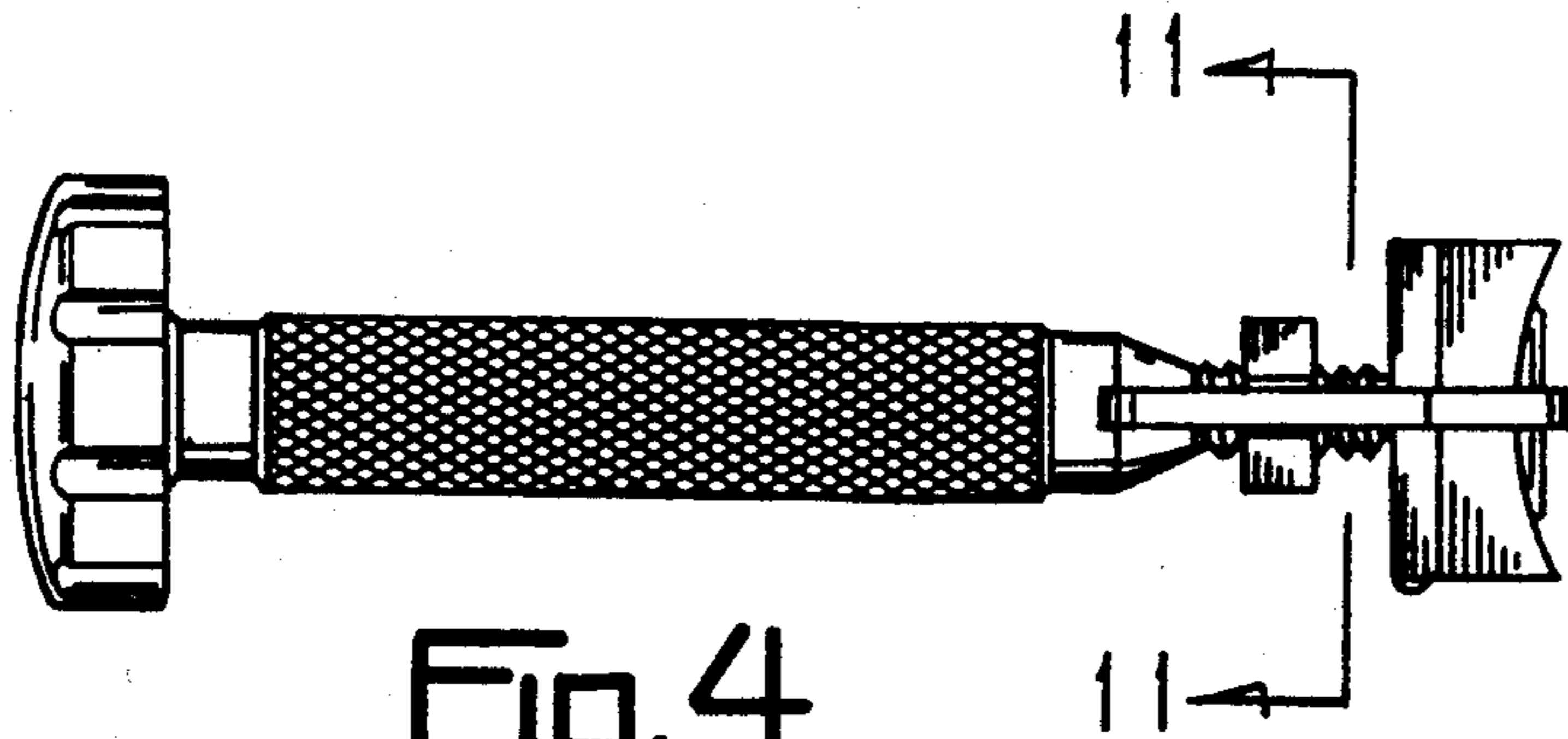


Fig. 4

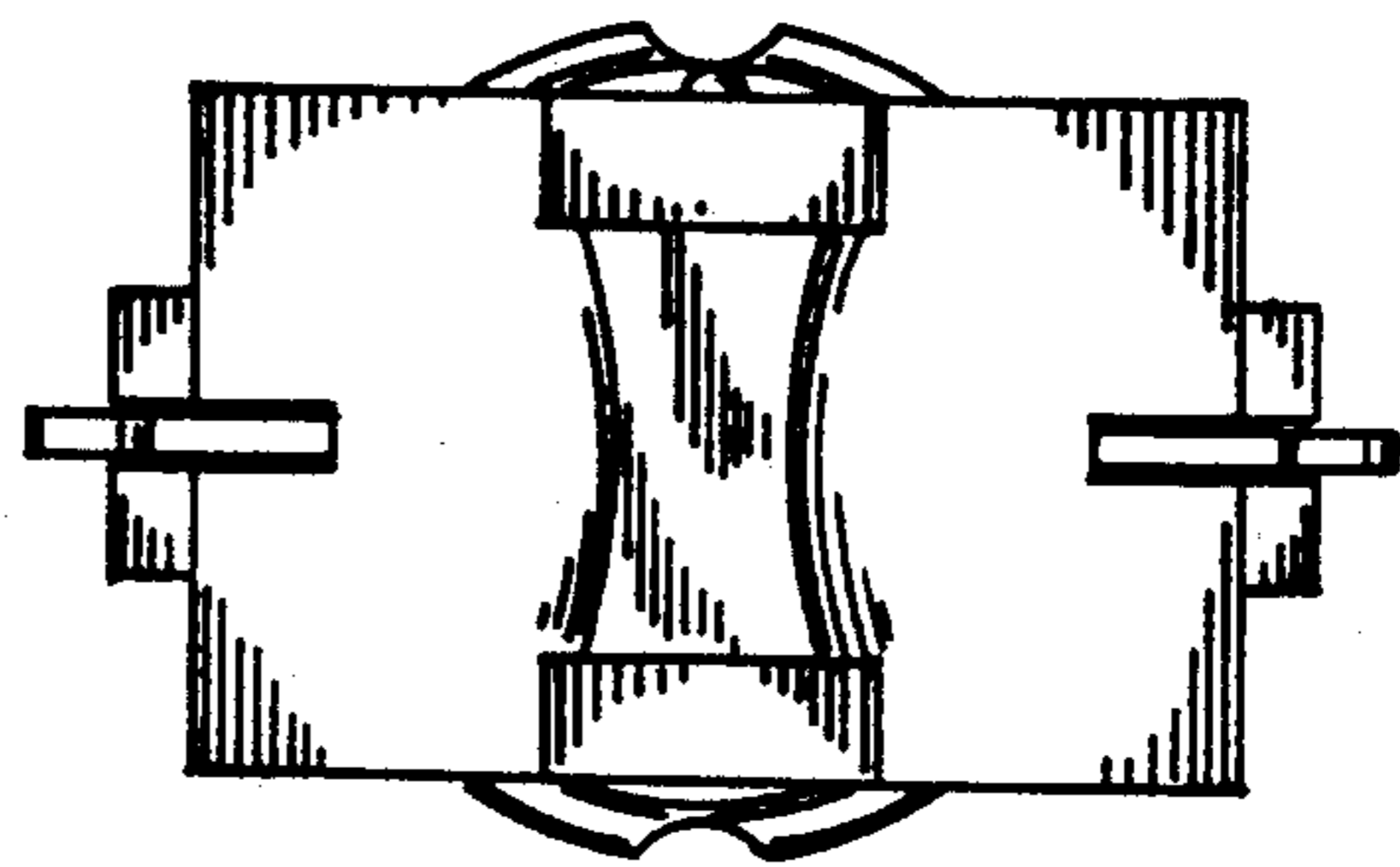


Fig. 5

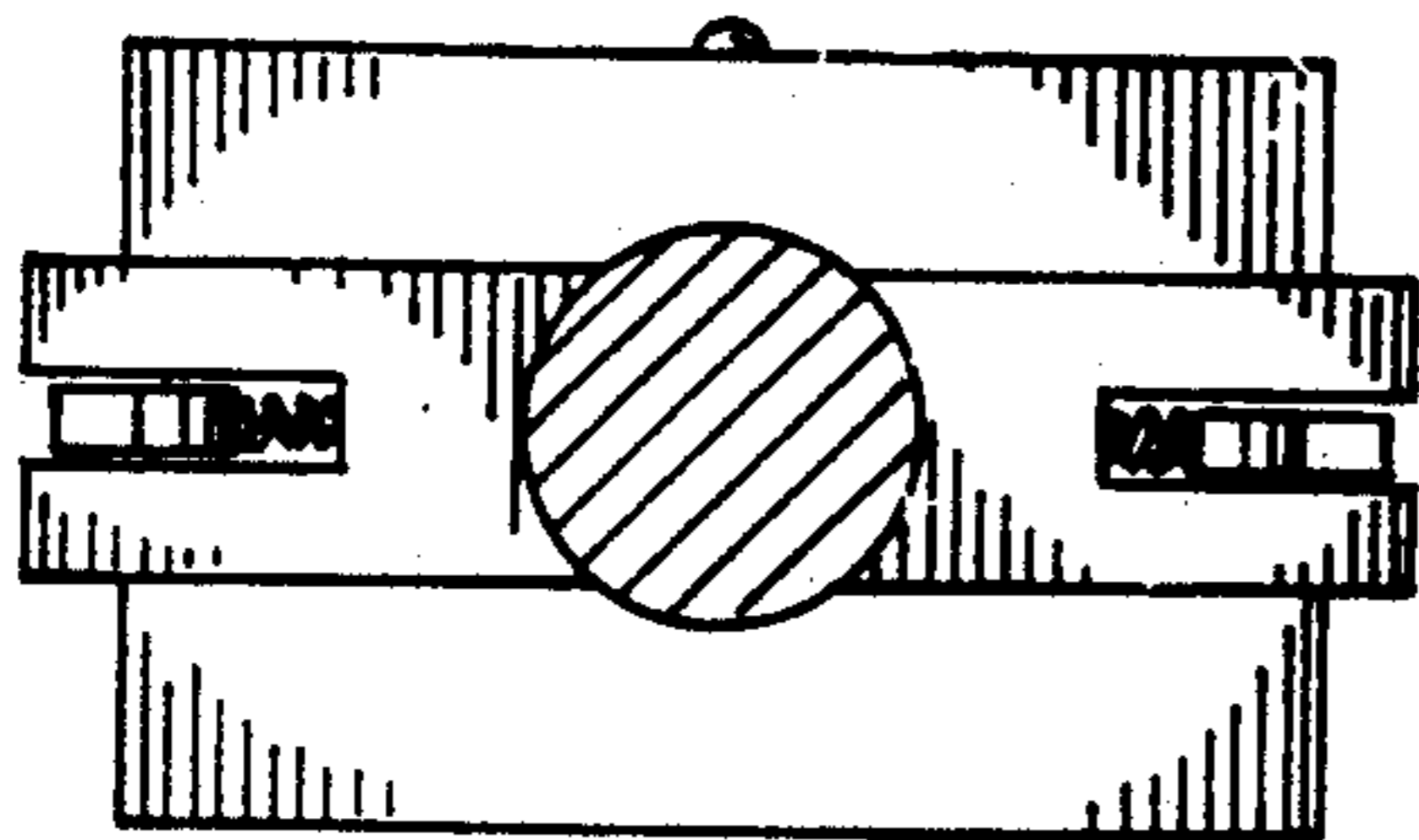


Fig. 8

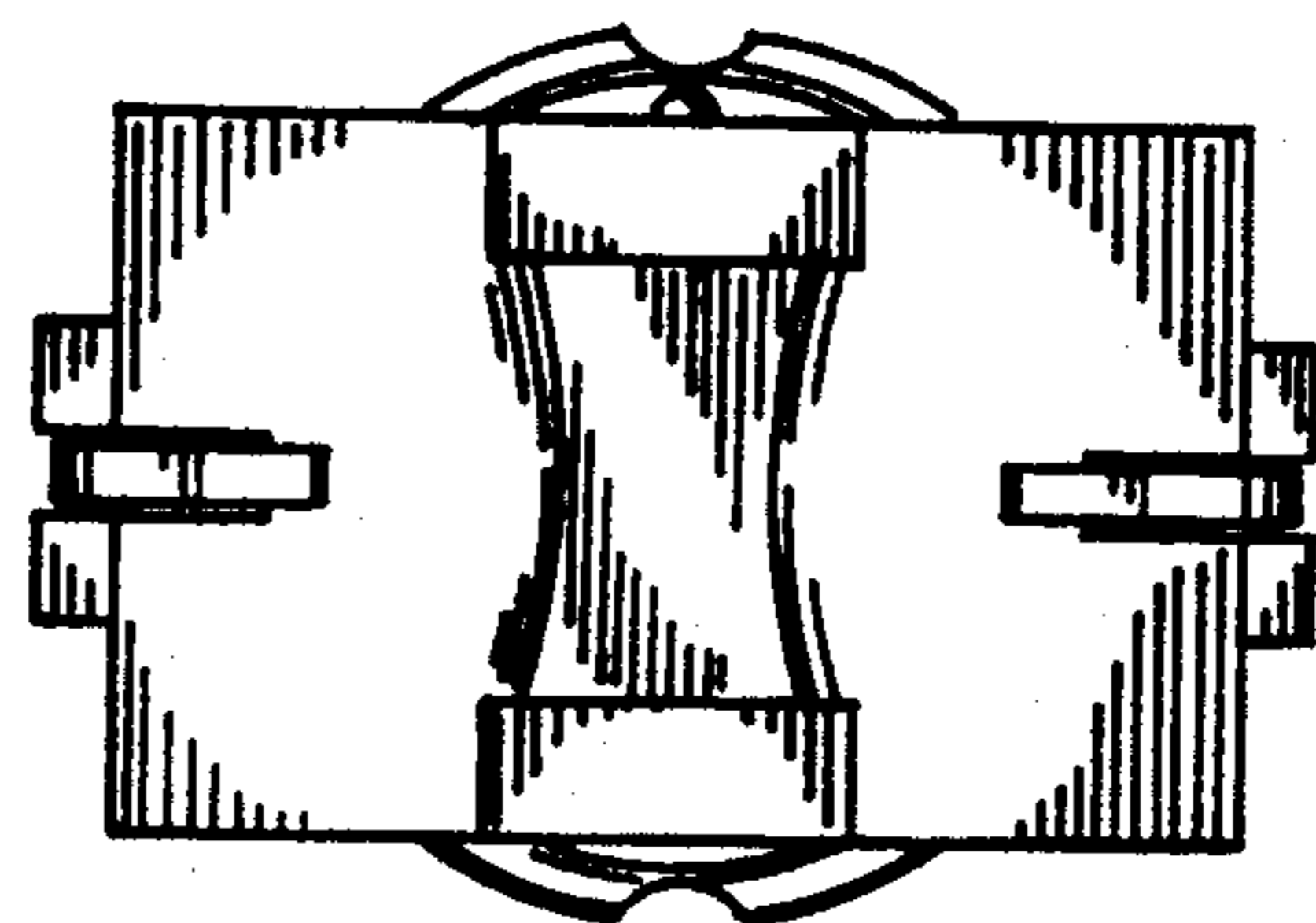


Fig. 6

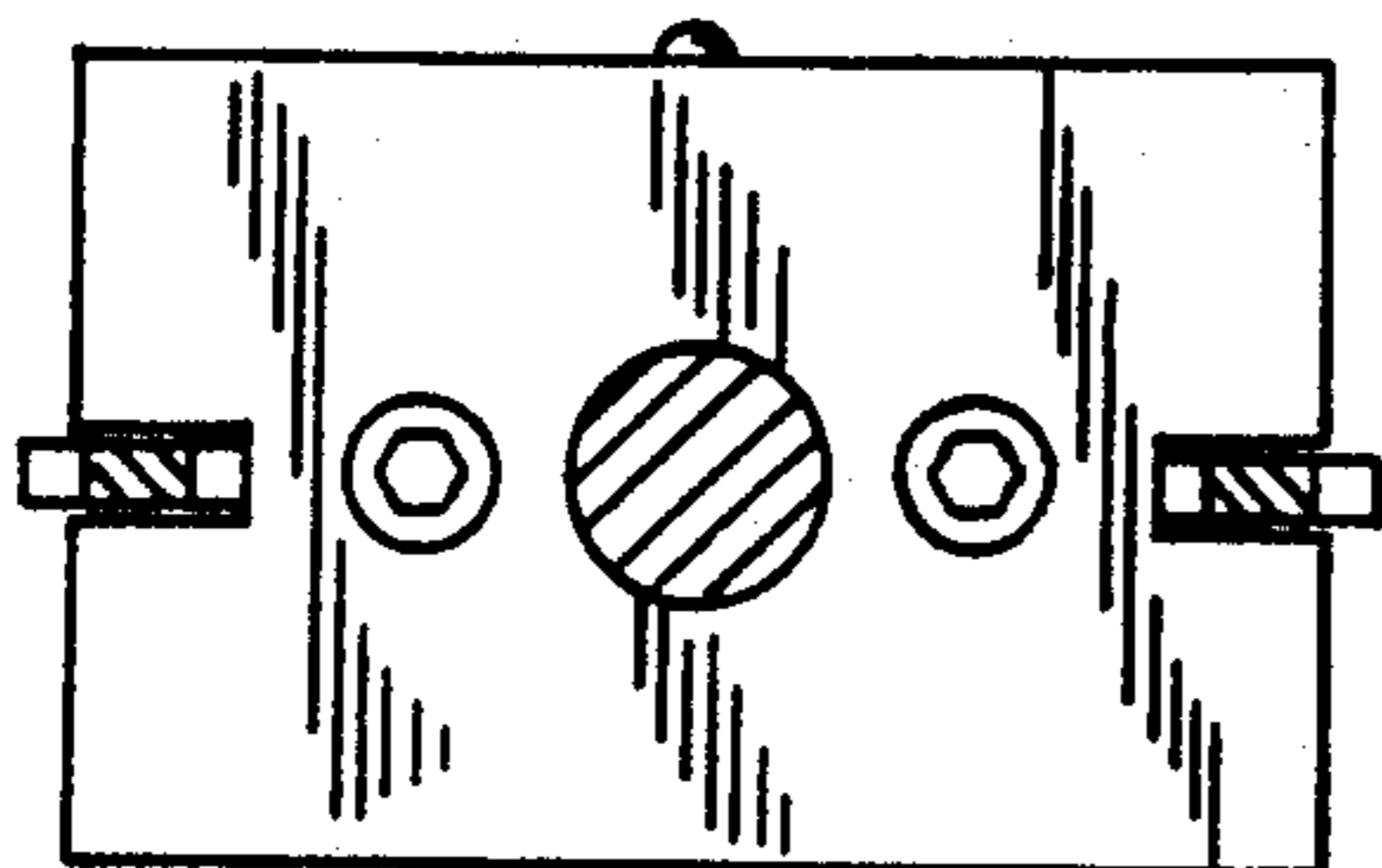


Fig. 9

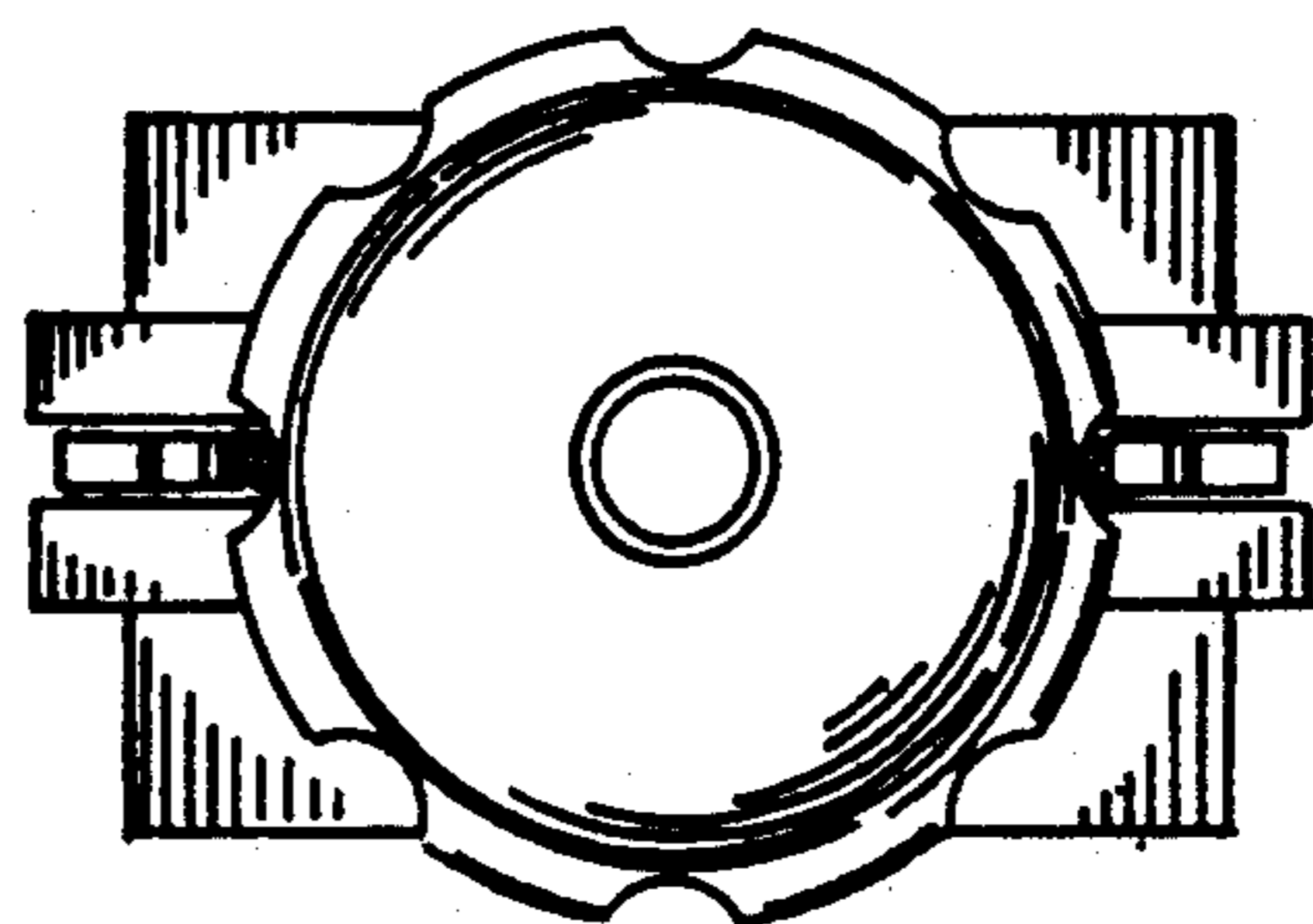


Fig. 7

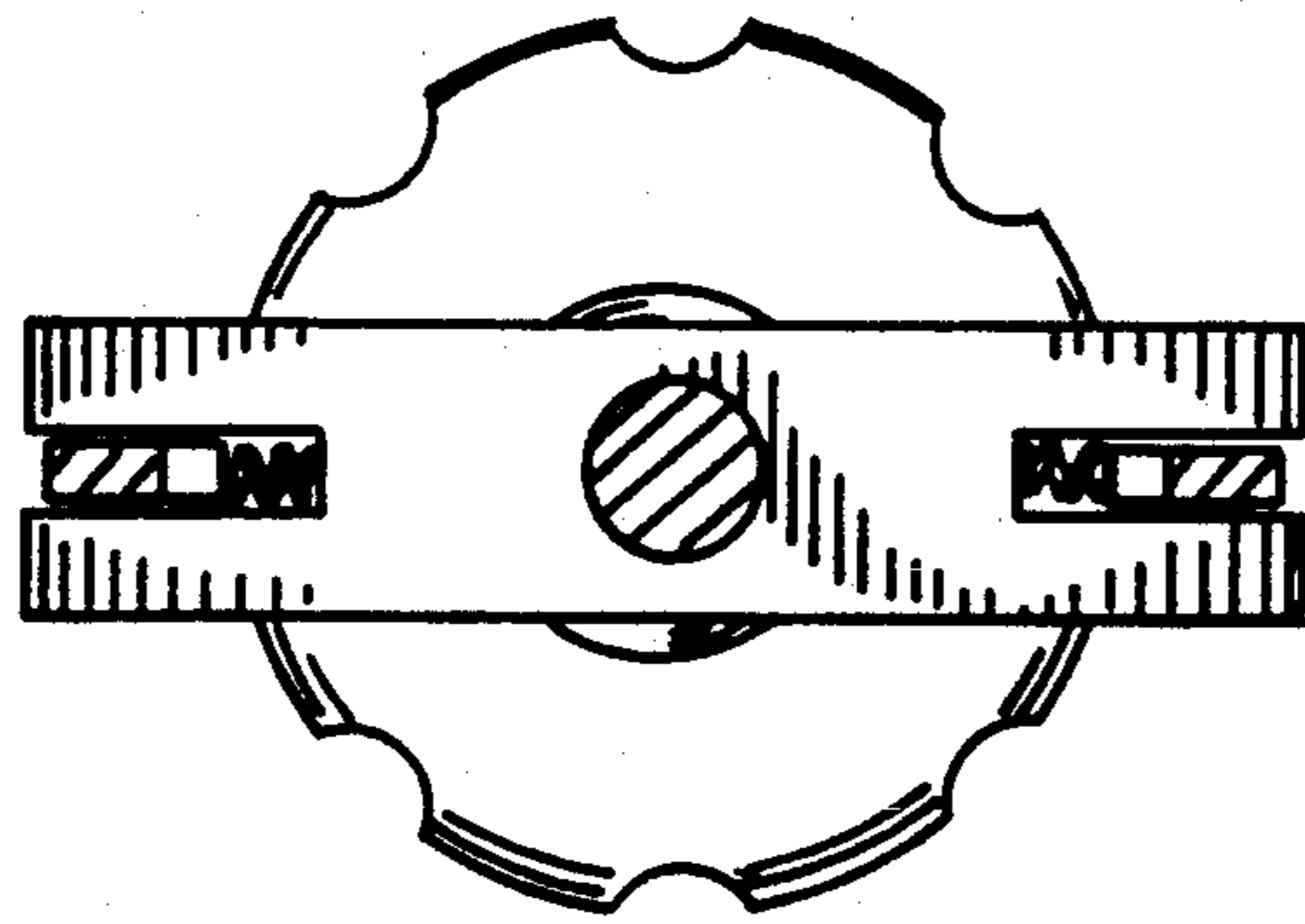


Fig. 11

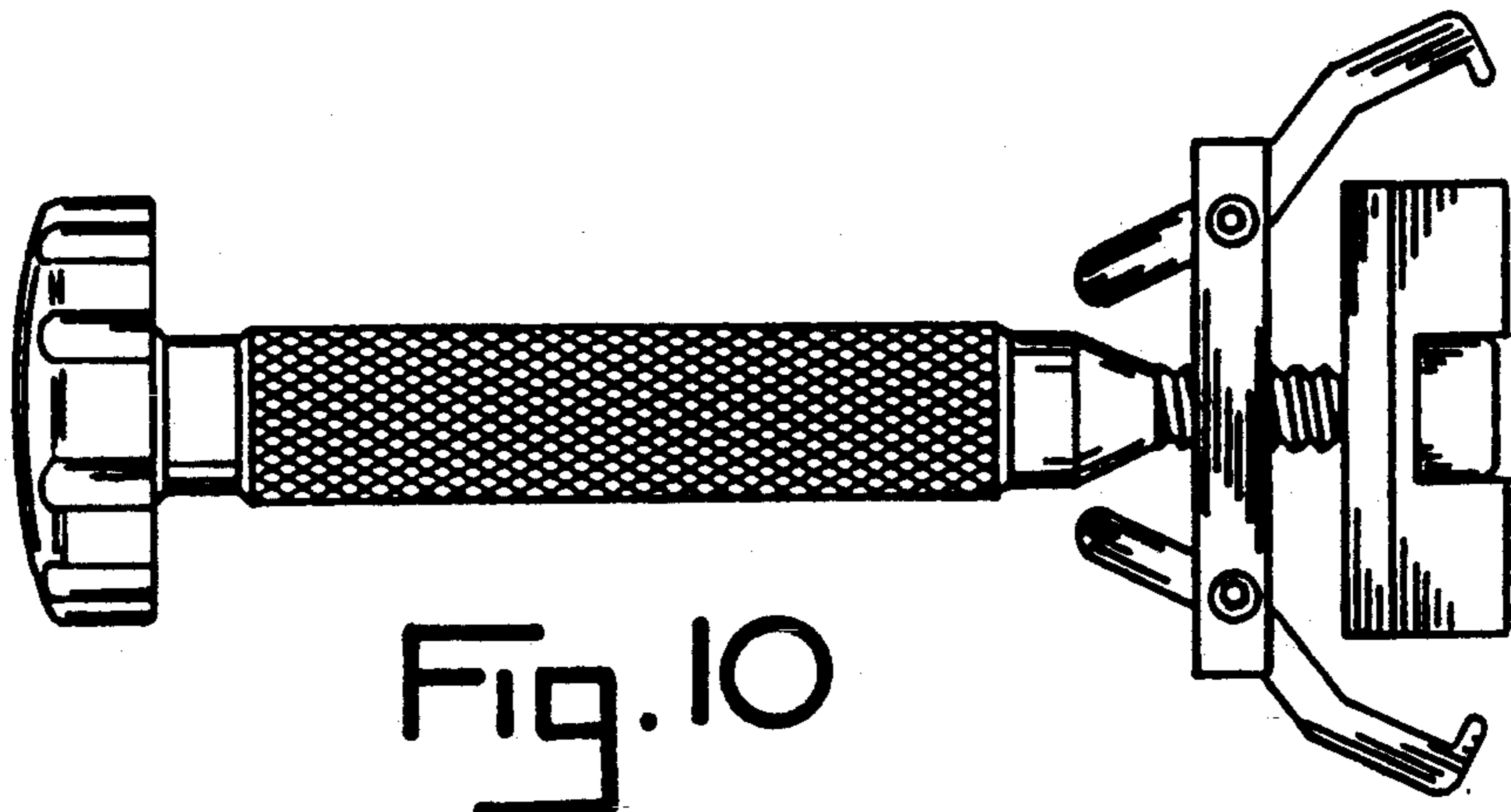


Fig. 10