



US00D337638S

# United States Patent [19]

[11] Patent Number: Des. 337,638

Andrews

[45] Date of Patent: \*\* Jul. 20, 1993

## [54] ATTACHMENT FOR SANITARY NAPKINS

[76] Inventor: Pamela S. Andrews, 19 Union Church Rd., Salisbury, Md. 21801

[\*\*] Term: 14 Years

[21] Appl. No.: 721,209

[22] Filed: Jun. 25, 1991

[52] U.S. Cl. .... D24/125

[58] Field of Search ..... D24/125, 124; 604/358, 604/385.1, 377, 365, 364, 372, 375, 378, 377, 389, 368

## [56] References Cited

### U.S. PATENT DOCUMENTS

2,852,026 9/1958 Karowski ..... 604/377  
3,185,394 5/1965 Farrell ..... D24/125 X

Primary Examiner—Stella Reid  
Attorney, Agent, or Firm—Pollock, VandeSande and Priddy

## [57] CLAIM

The ornamental design for an attachment for sanitary napkins, as shown and described.

## DESCRIPTION

FIG. 1 is a top plan view of an attachment for sanitary napkins showing my new design;  
FIG. 2 is a bottom plan view thereof;  
FIG. 3 is a perspective view thereof, the broken lines in FIG. 3 being for illustrative purposes only to show environmental structure, and forming no part of the claimed design;  
FIG. 4 is a right side elevational view thereof, the left side view being the same;  
FIG. 5 is a front elevational view thereof;  
FIG. 6 is a rear elevational view thereof;  
FIG. 7 is a top plan view of an attachment for sanitary napkins showing a second embodiment of my new design;  
FIG. 8 is a bottom plan view thereof;  
FIG. 9 is a right side elevational view thereof, the left side view being the same;  
FIG. 10 is a front elevational view thereof; and,  
FIG. 11 is a rear elevational view thereof;

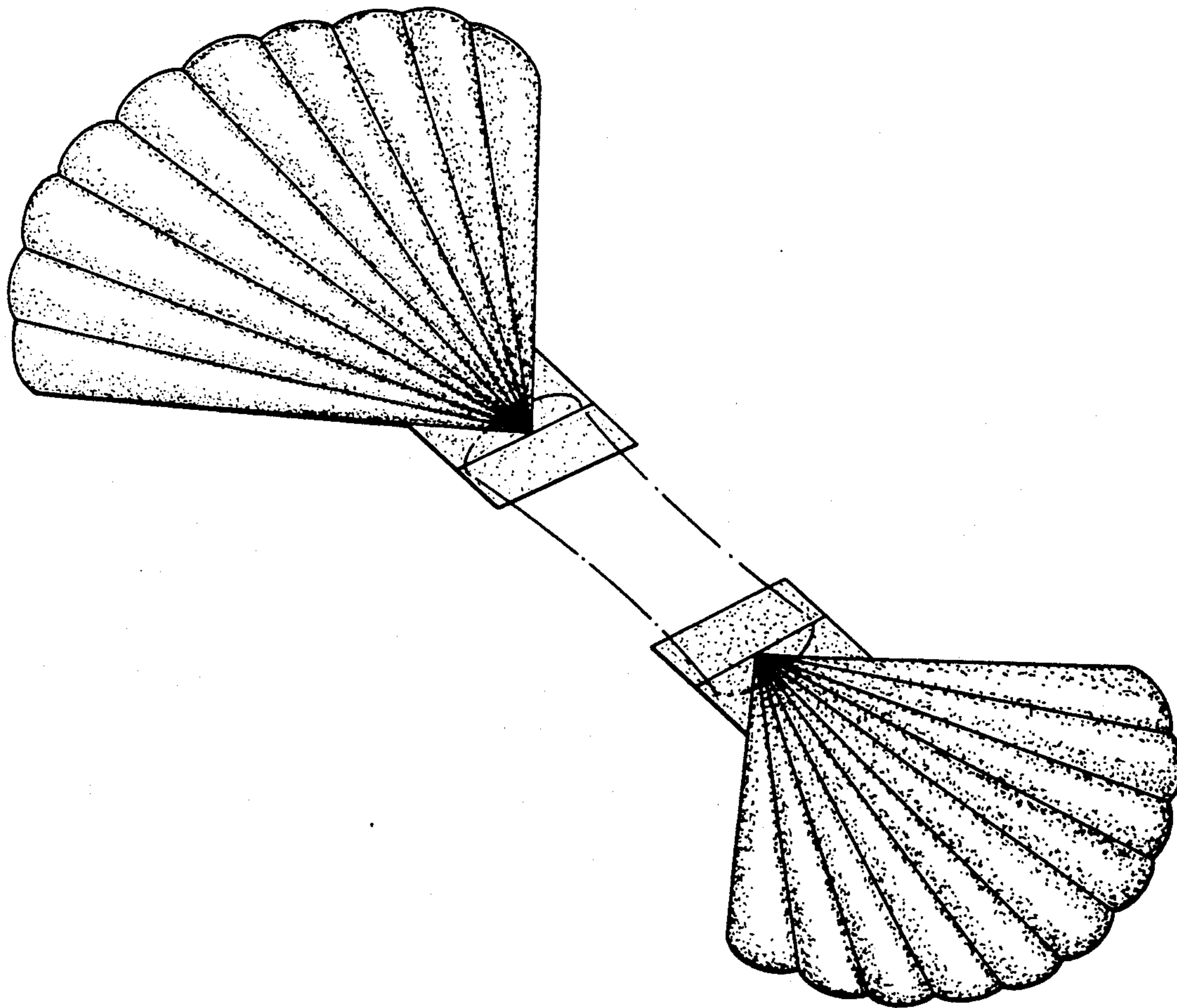


FIG. 1

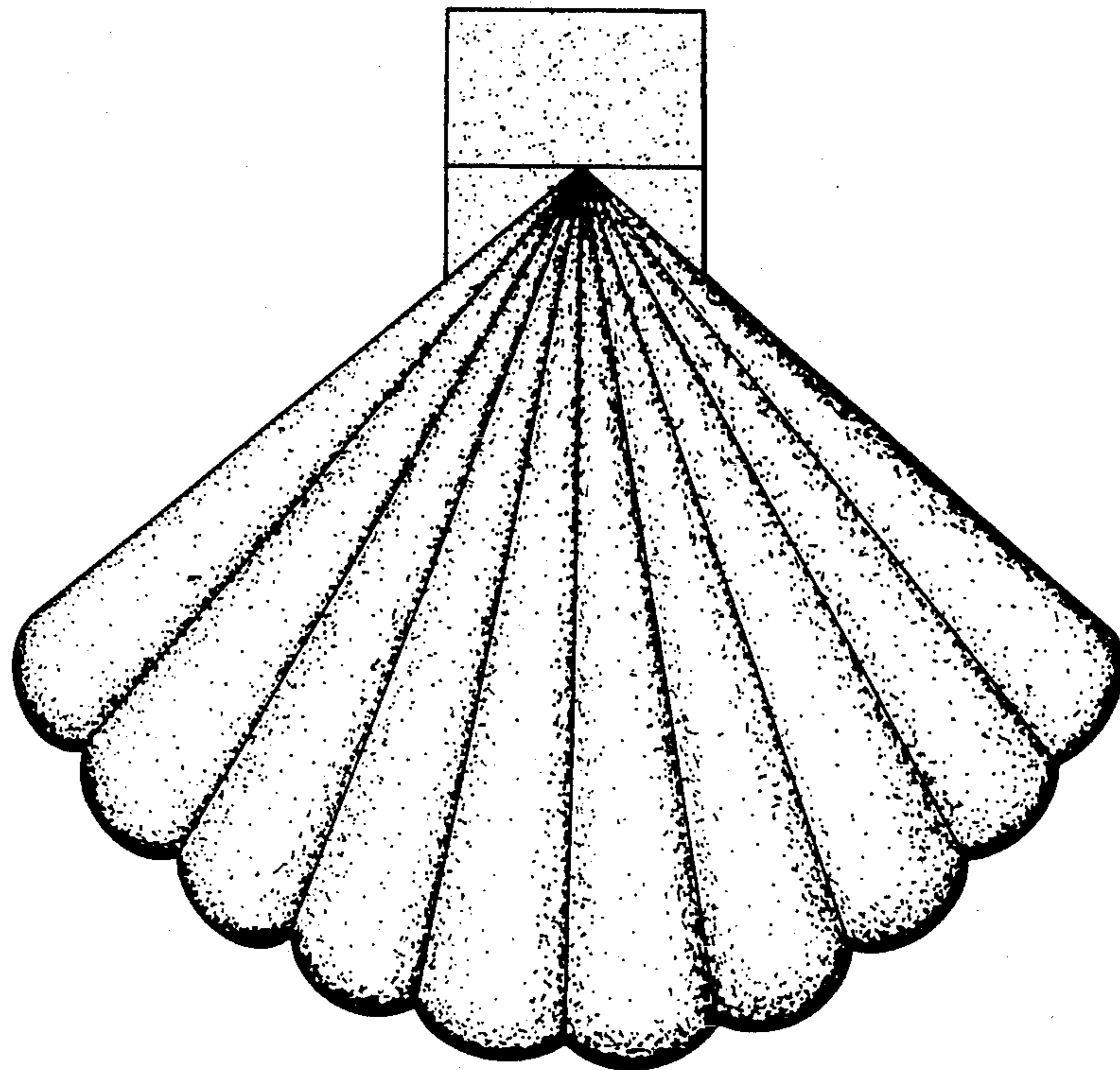
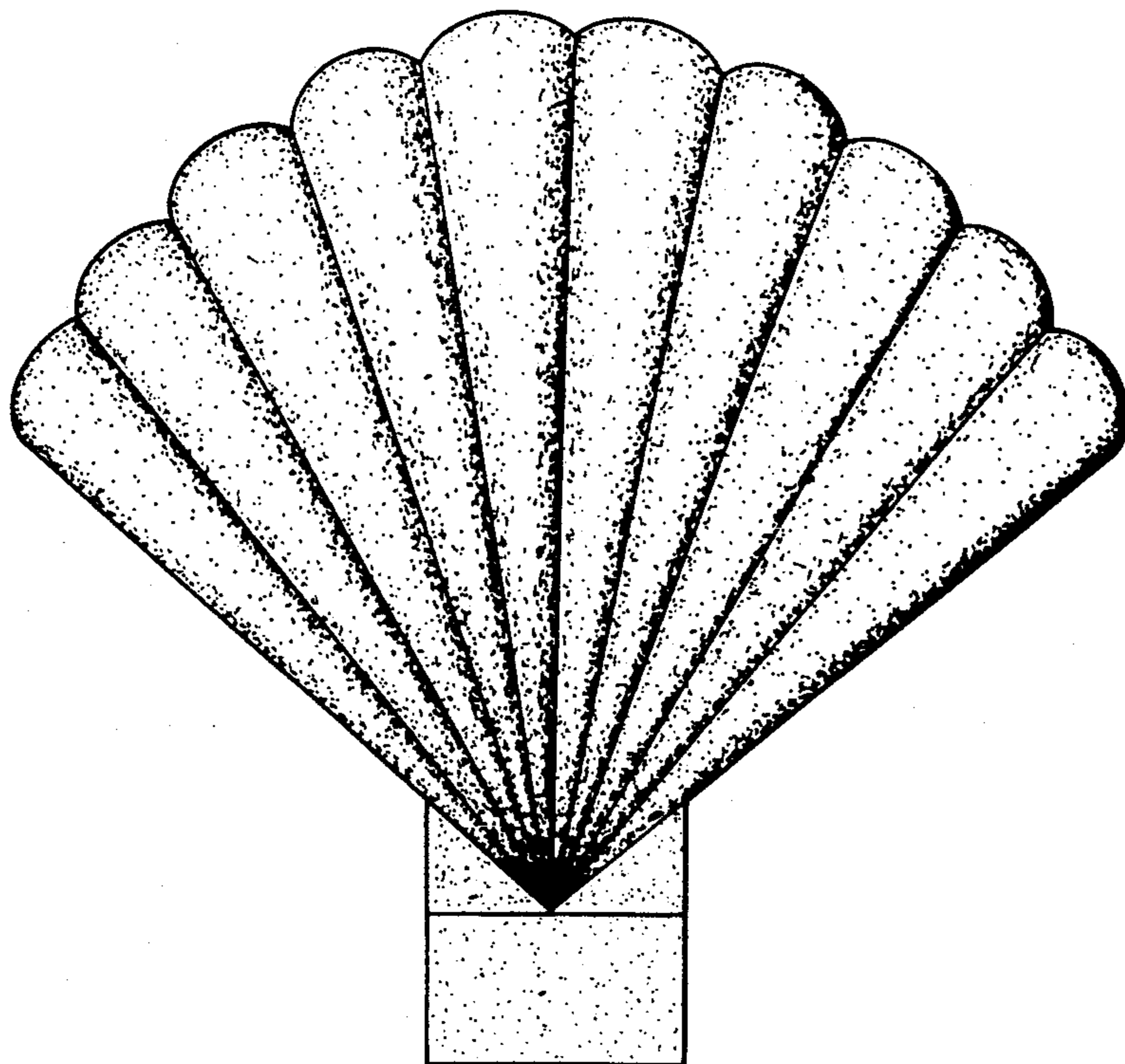


FIG. 2



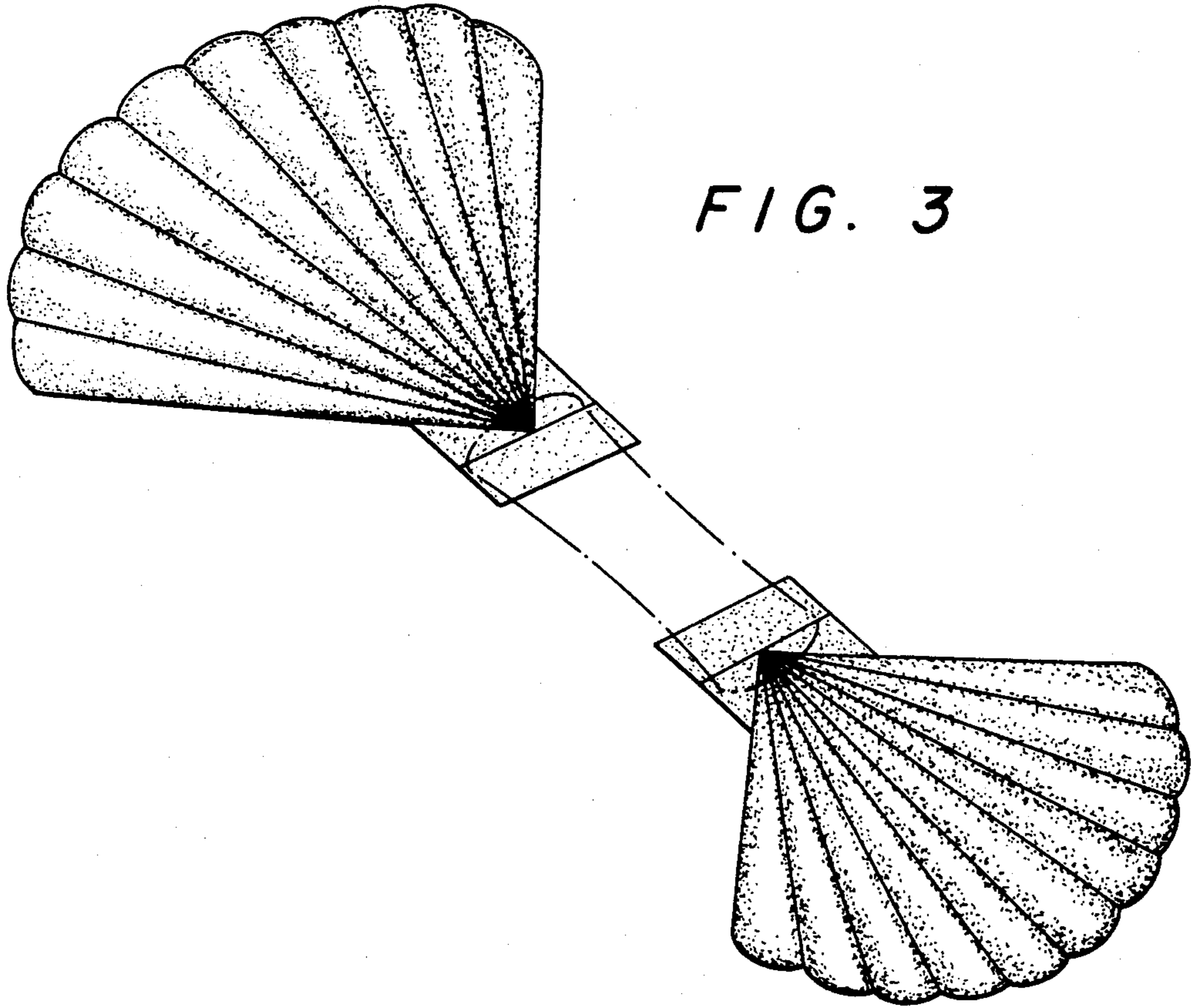


FIG. 3

FIG. 4



FIG. 5



FIG. 6



FIG. 7

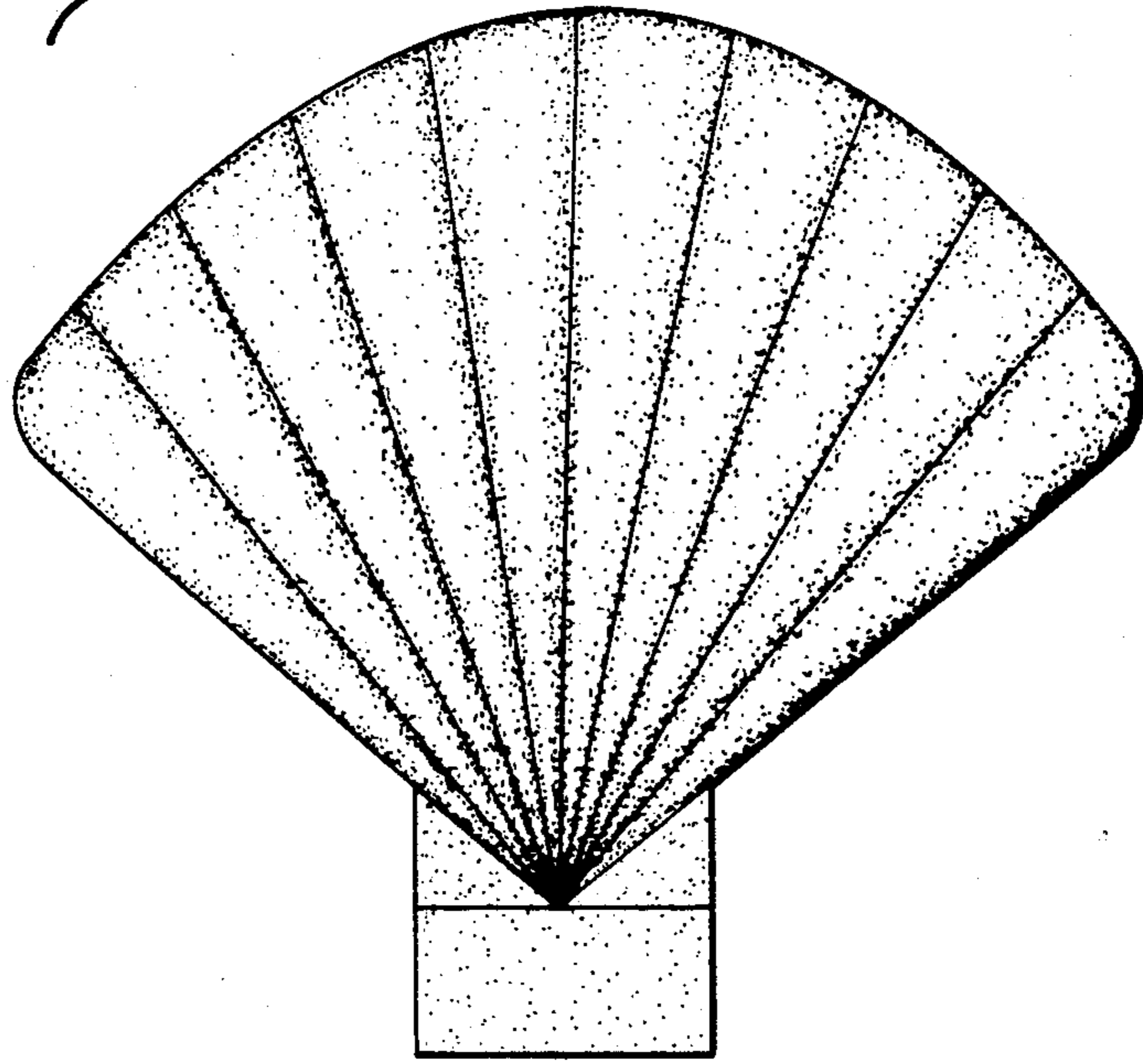


FIG. 8

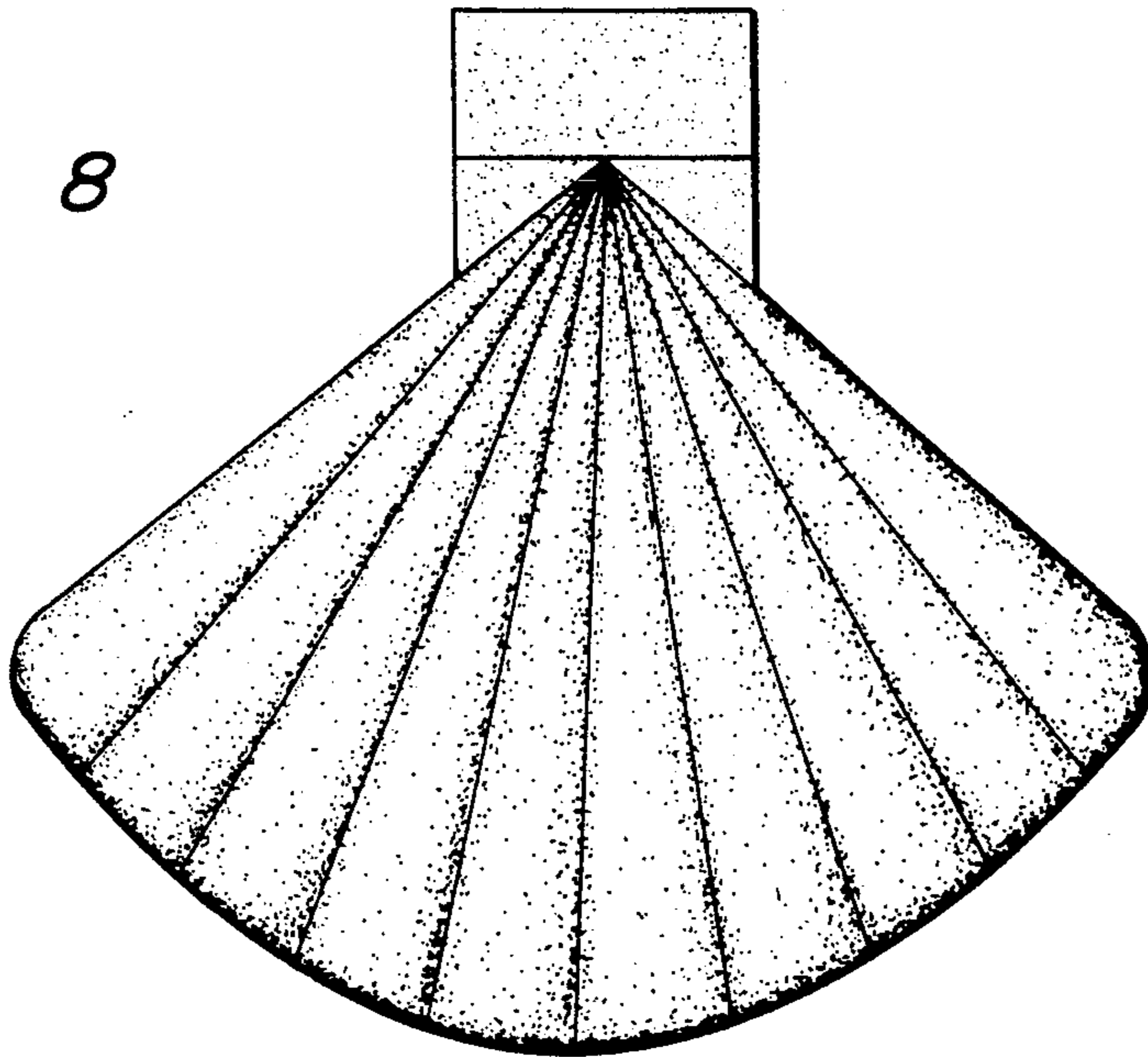


FIG. 9



FIG. 10



FIG. 11

