



US00D337634S

United States Patent [19]

[11] Patent Number: **Des. 337,634**

Copland et al.

[45] Date of Patent: **** Jul. 20, 1993**

[54] **HUMIDIFIER**

[75] Inventors: **Ducan P. Copland, Newton, Pa.;**
John W. Seaman, Sheboygan Falls,
Wis.

[73] Assignee: **Bemis Manufacturing Company,**
Sheboygan Falls, Wis.

[**] Term: **14 Years**

[21] Appl. No.: **875,427**

[22] Filed: **Apr. 29, 1992**

[52] U.S. Cl. **D23/356**

[58] Field of Search **D23/356-363;**
392/403, 405, 406; 239/136; 261/DIG. 48

3,864,105	2/1975	Davis	55/259
3,965,691	6/1976	Van Huis	62/157
4,025,587	5/1977	Schuster	261/30
4,663,091	5/1987	Seo	D23/356
4,698,188	10/1987	Gutmann	261/107
4,715,998	12/1987	Clow	261/142
4,719,057	1/1988	Mizoguchi	261/81
4,839,014	6/1989	Park et al.	204/265
4,853,161	8/1989	Huang	261/81
5,034,162	7/1991	Chiu	261/24
5,037,583	8/1991	Hand	261/26
5,061,405	10/1991	Stanek et al.	261/26

FOREIGN PATENT DOCUMENTS

1261072 6/1960 France .

OTHER PUBLICATIONS

Popular Mechanics, Jan. 1992, p. 55, Wick Humidifier, bottom right side of page.

Primary Examiner—Wallace R. Burke

Assistant Examiner—Lisa Lichtenstein

Attorney, Agent, or Firm—Michael, Best & Friedrich

[56] **References Cited**

U.S. PATENT DOCUMENTS

D. 142,737	10/1945	Norris	D62/4
D. 161,142	12/1950	Sundberg	D83/1
D. 288,597	3/1987	Young Se	D23/146
D. 290,168	6/1987	Watanabe et al.	D23/146
D. 309,656	7/1990	Lee	D23/356
765,351	7/1904	Avery et al.	261/107
1,625,663	4/1927	Kelly	261/104
2,054,200	9/1936	Langford	219/39
2,173,073	9/1939	Pierson	261/104
2,379,034	6/1945	Pargman	21/119
2,508,530	5/1950	Morris	261/107
2,774,581	12/1956	Bowersox	261/24
2,810,167	10/1957	Parks, Sr.	21/119
2,998,714	9/1961	Bonzer	62/312
3,045,450	7/1962	Chandler	62/311
3,464,188	9/1969	Keuls	55/234
3,722,838	3/1973	Swimmer et al.	261/72
3,757,494	9/1973	Keuls	55/234

[57] **CLAIM**

The ornamental design for a humidifier, as shown.

DESCRIPTION

FIG. 1 is a rear perspective view of a humidifier showing our new design;

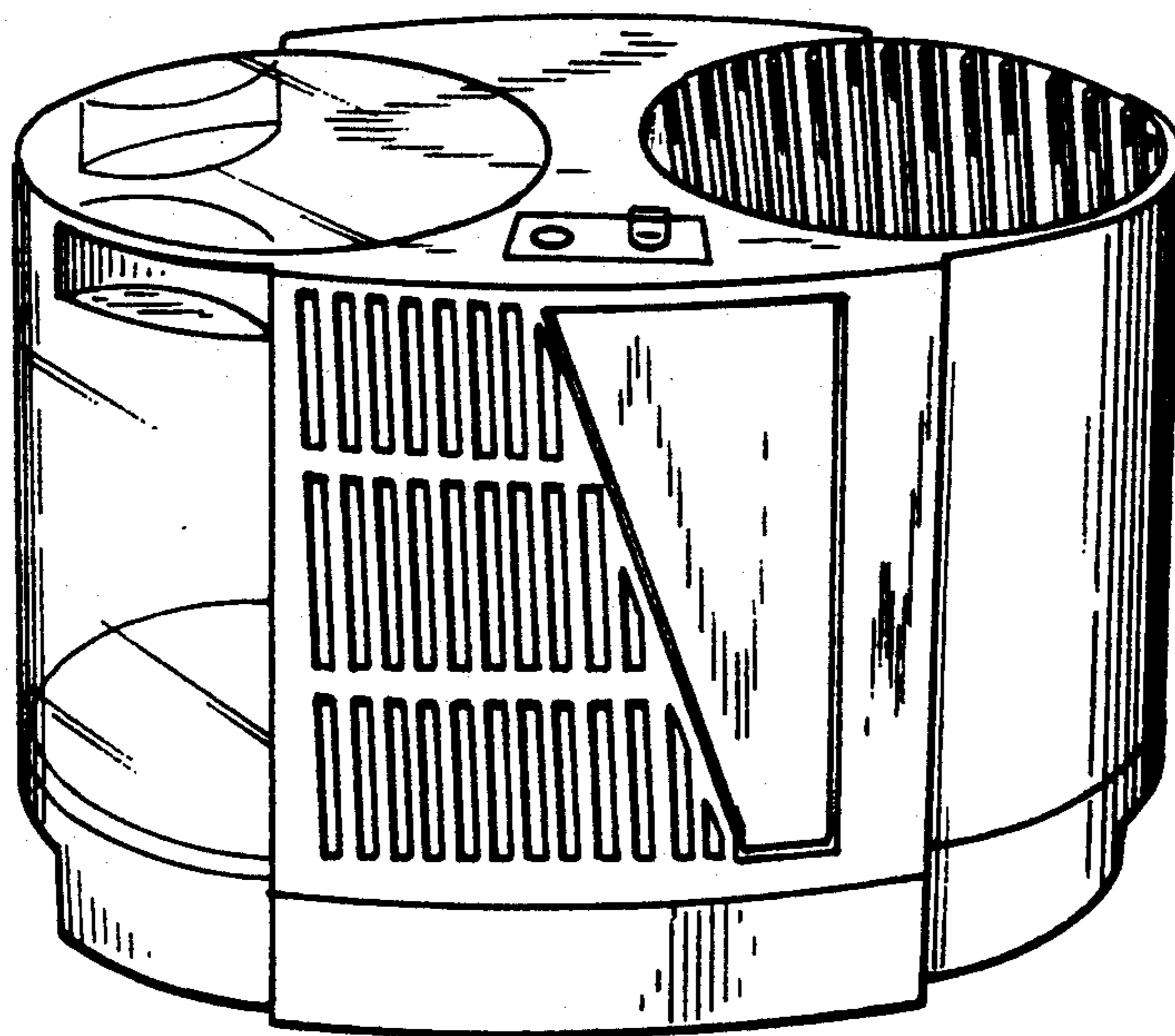
FIG. 2 is a greatly enlarged bottom plan view thereof;

FIG. 3 is an enlarged front elevational view thereof;

FIG. 4 is an enlarged top plan view thereof;

FIG. 5 is an enlarged right side elevational view thereof; and,

FIG. 6 is an enlarged left side elevational view thereof.



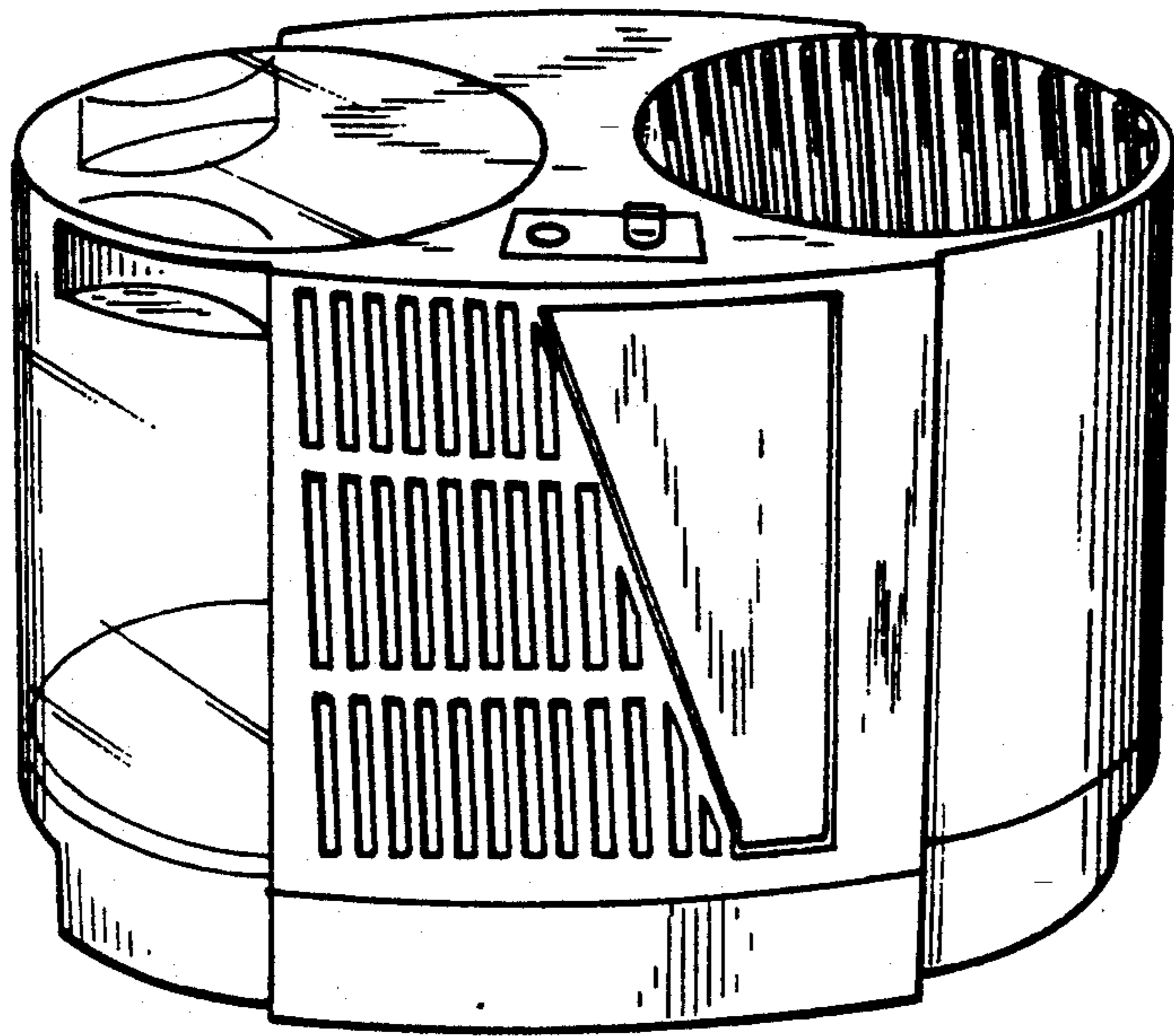


Fig. 1

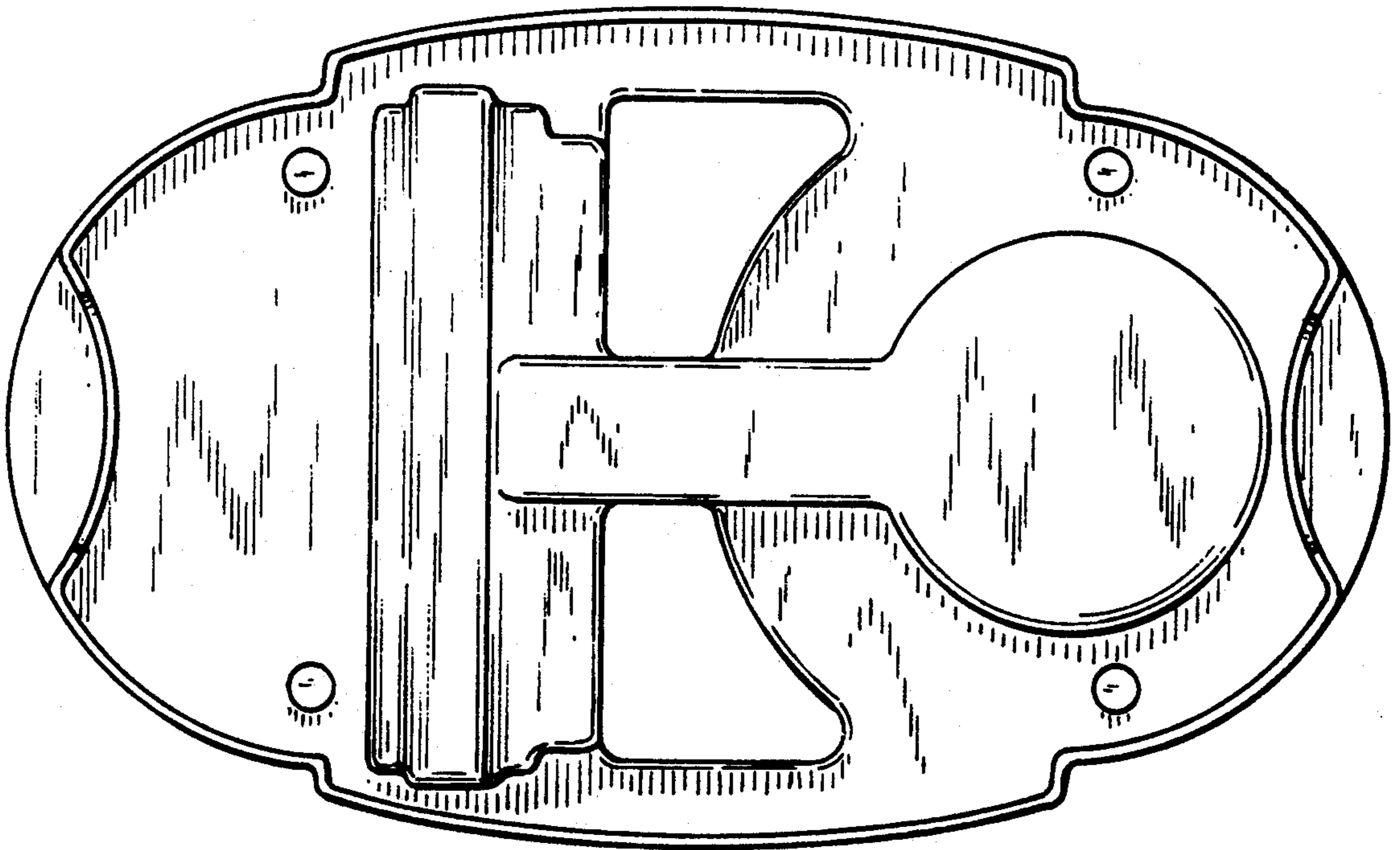


Fig. 2

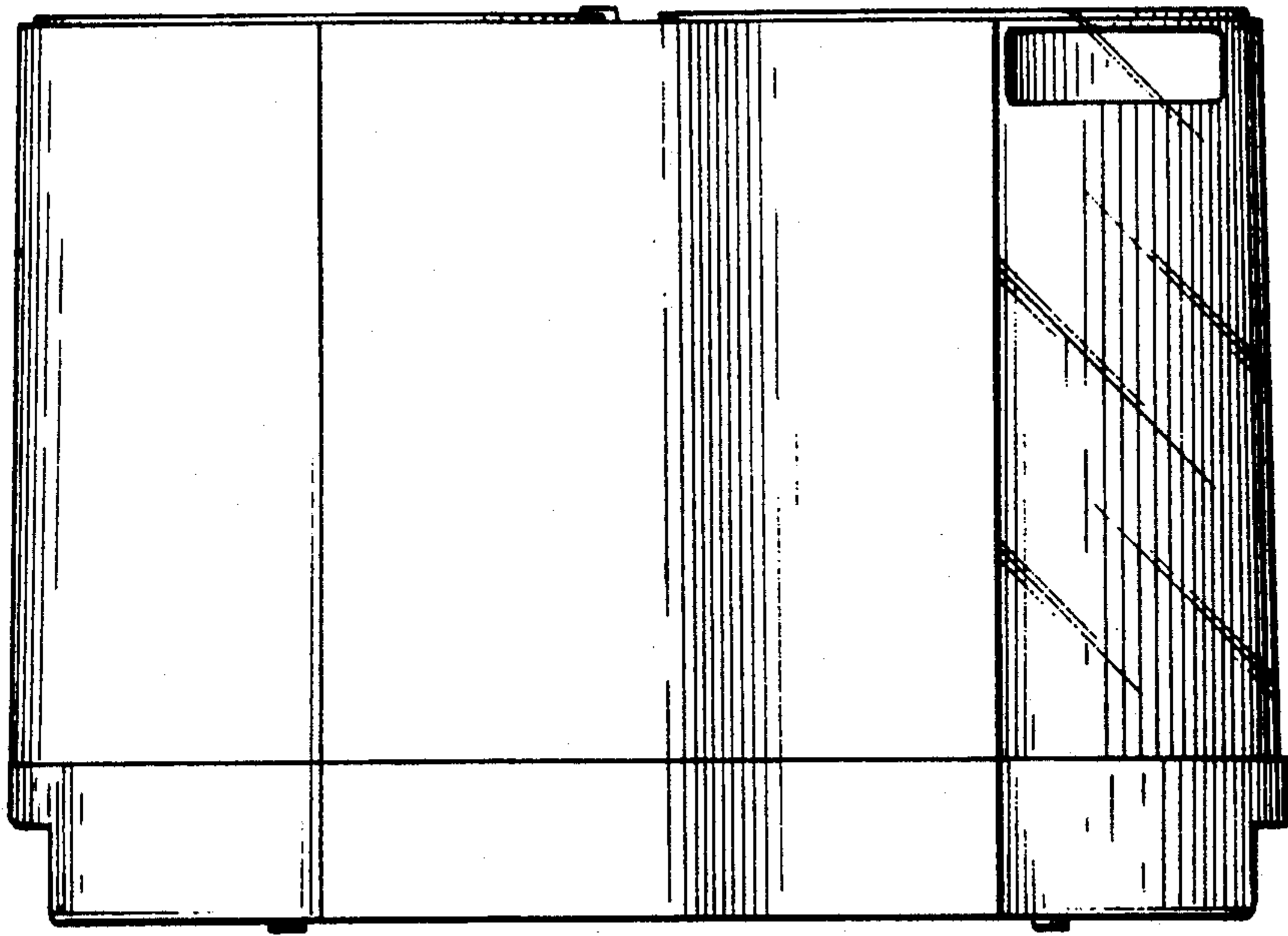


Fig. 3

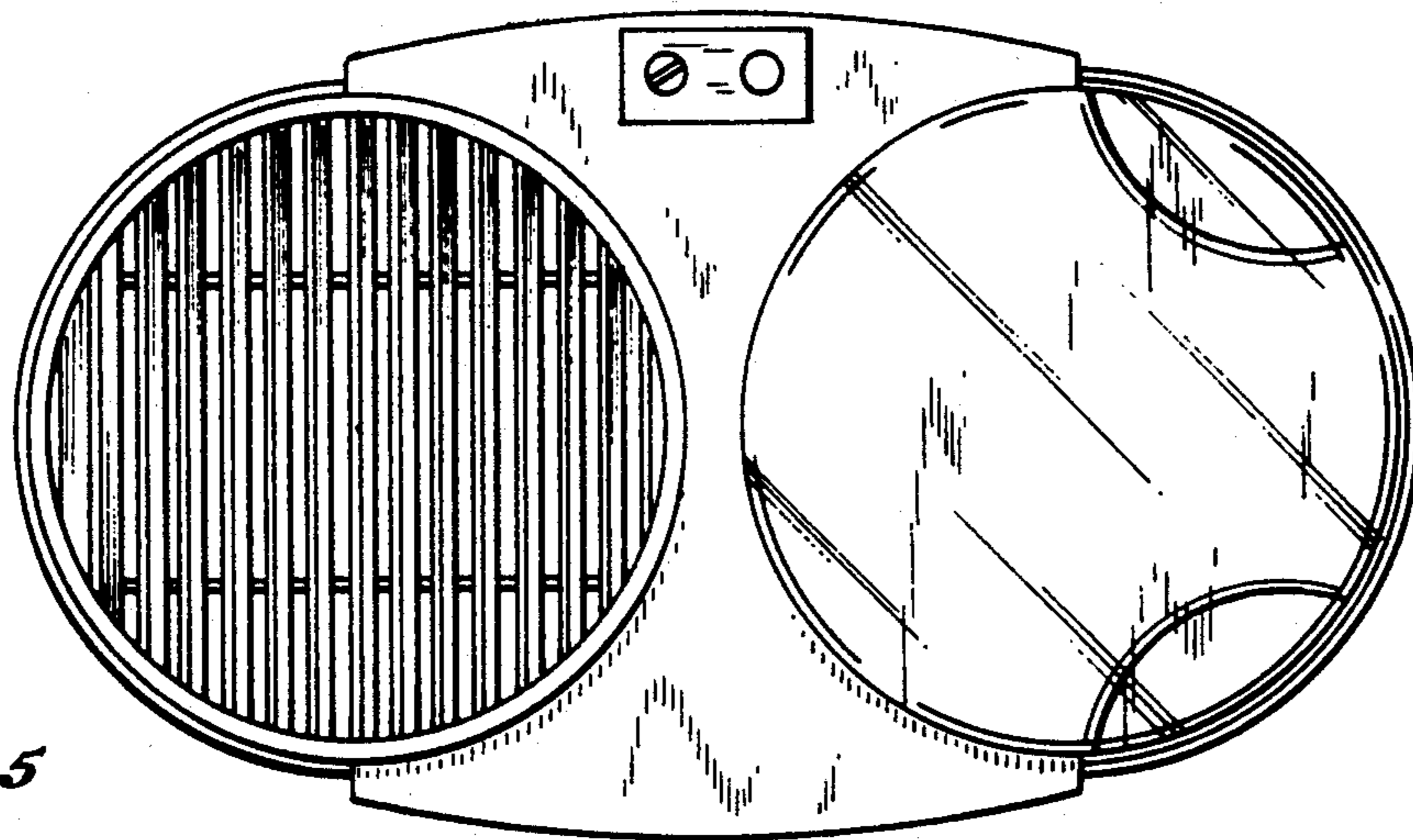


Fig. 4

Fig. 5

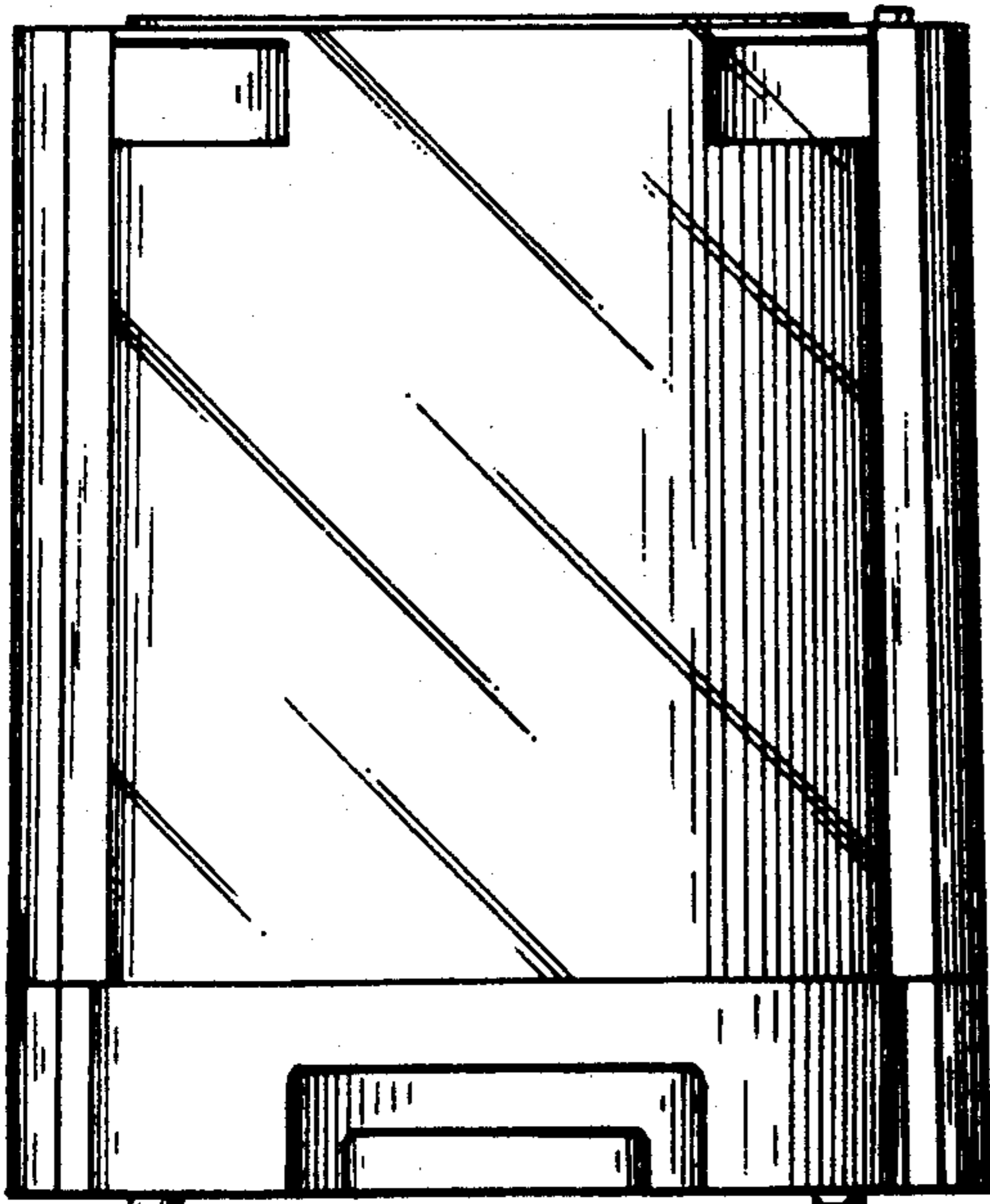


Fig. 6

