



US00D337633S

United States Patent [19]

[11] Patent Number: **Des. 337,633**

Drager et al.

[45] Date of Patent: **** Jul. 20, 1993**

[54] **BYPASS VALVE FOR A LIQUID TREATMENT TANK**

[75] Inventors: **Michael E. Drager; Edward J. Tischler, both of St. Paul, Minn.**

[73] Assignee: **Ecowater Systems, Inc., St. Paul, Minn.**

[**] Term: **14 Years**

[21] Appl. No.: **772,580**

[22] Filed: **Oct. 7, 1991**

[52] U.S. Cl. **D23/245**

[58] Field of Search **D23/233-237, D23/244-249; 137/625.29, 625.46; 251/900**

4,237,933	12/1980	Bauer	137/625.29	X
4,245,670	1/1981	Bauer	137/625.29	
4,250,920	2/1981	Traylor	137/625.29	
4,255,939	3/1981	Ou	137/625.29	X
4,324,273	4/1982	Bauer et al.	137/625.29	X
4,361,170	11/1982	Pelozza	137/625.29	
4,469,131	9/1984	Traylor	137/625.29	X

Primary Examiner—James R. Largen
Attorney, Agent, or Firm—Jon Carl Gealow; James M. Wetzel

[57] CLAIM

The ornamental design for a bypass valve for a liquid treatment tank, as shown and described.

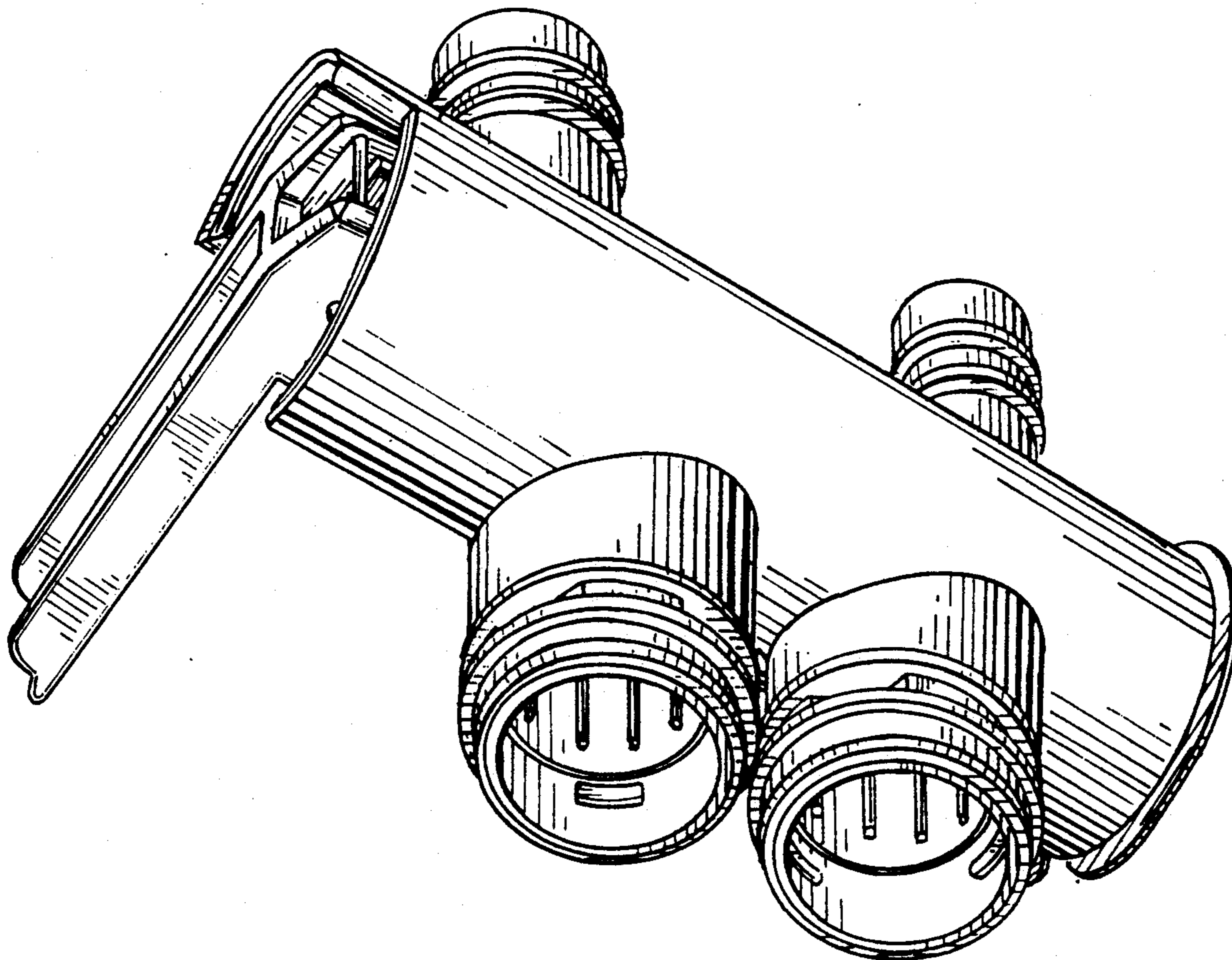
DESCRIPTION

FIG. 1 is a front perspective view of a bypass valve for a liquid treatment tank showing our new design; FIG. 2 is a top plan view thereof; FIG. 3 is a left side elevational view thereof; FIG. 4 is a rear elevational view thereof; FIG. 5 is front elevational view thereof; FIG. 6 is a right side elevational view thereof; FIG. 7 is a bottom plan view thereof; and, FIG. 8 is an exploded front perspective view thereof.

[56] References Cited

U.S. PATENT DOCUMENTS

D.219,340	12/1970	Snelling	D23/245
D. 313,463	1/1991	Veillet	D23/233
2,997,065	8/1961	Johnson	251/900 X
3,090,396	5/1963	Rudelick	137/625.47 X
3,643,692	2/1972	Traylor	137/625.29 X
4,212,342	7/1980	Bauer	137/625.29 X



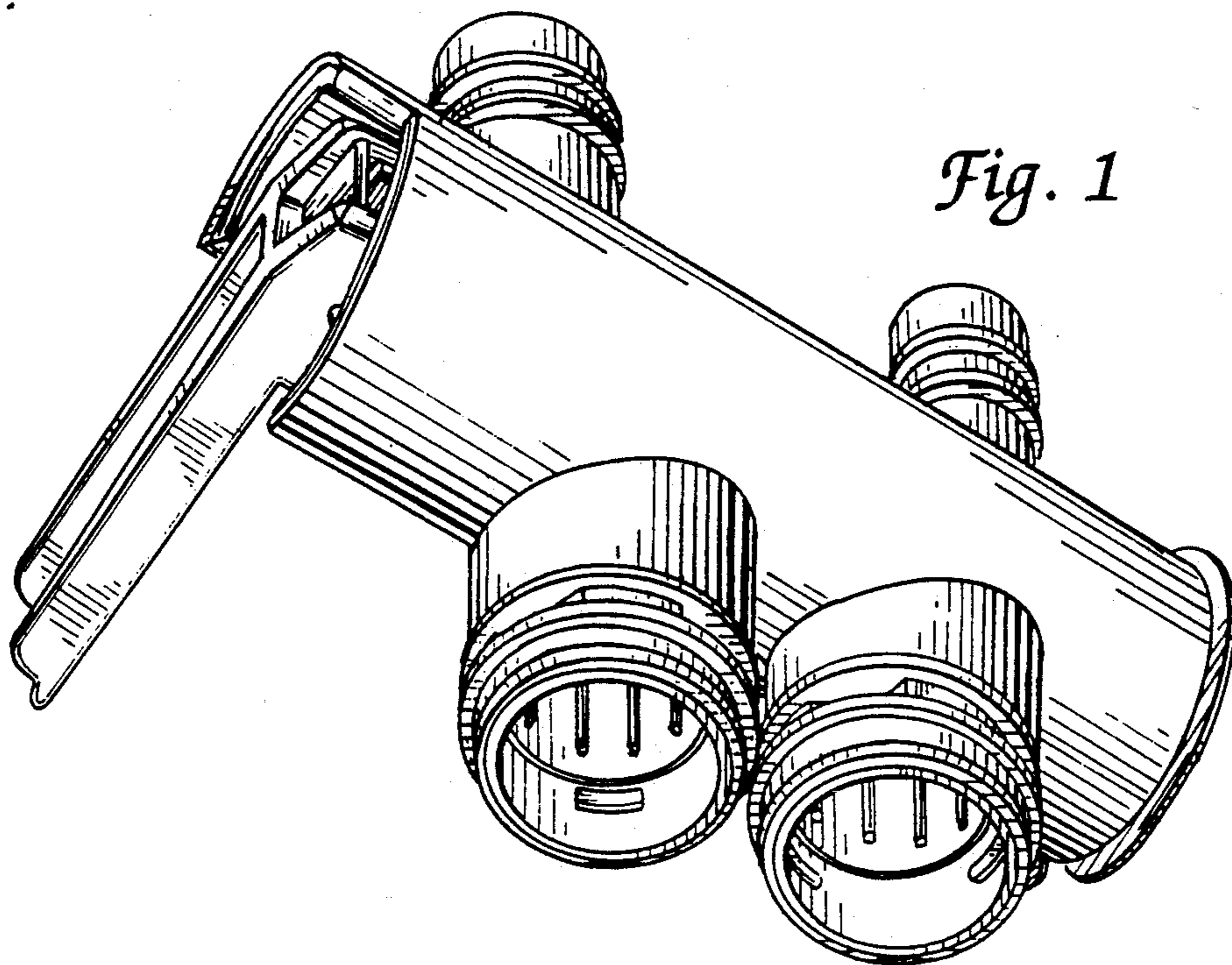


Fig. 1

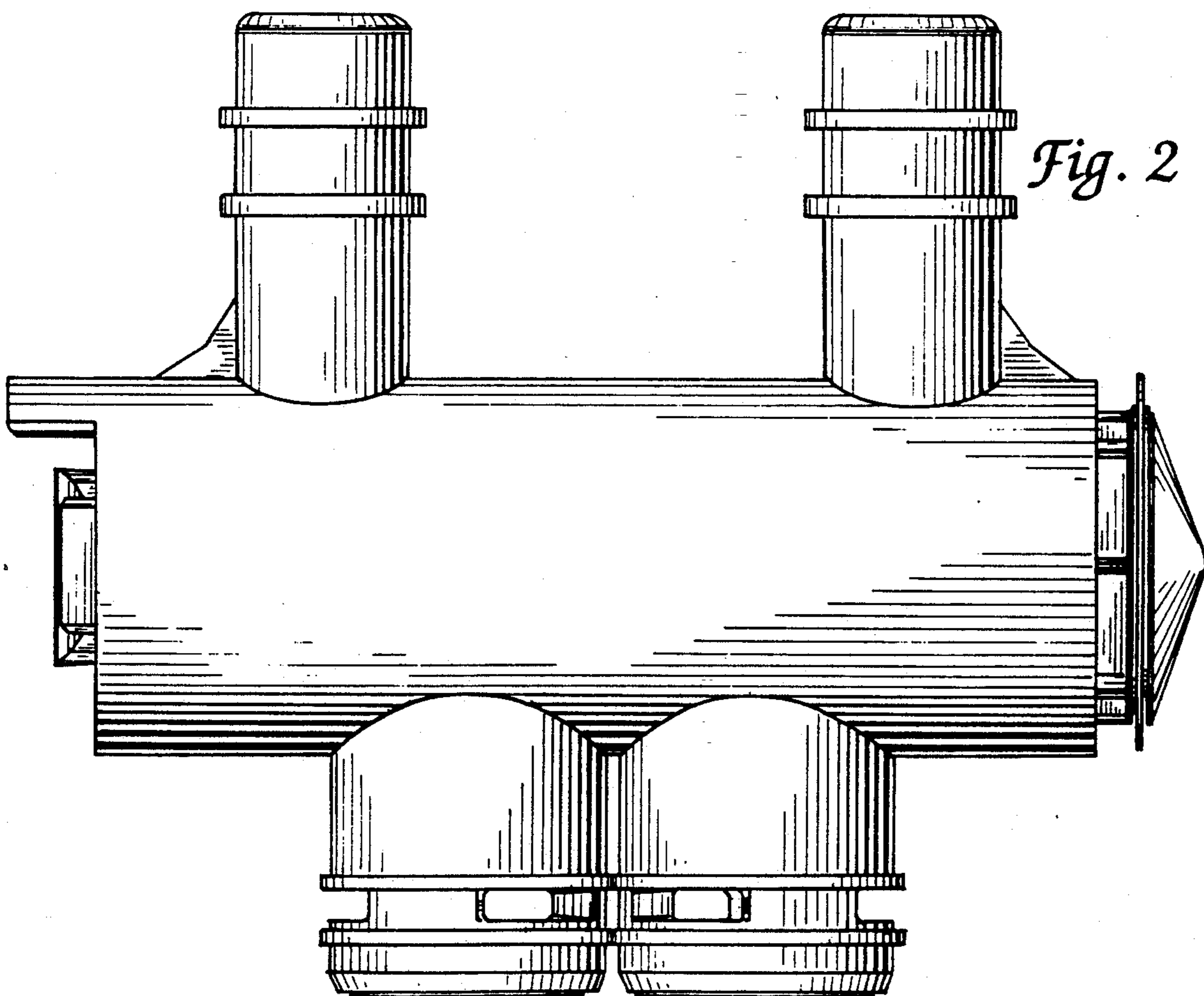


Fig. 2

Fig. 3

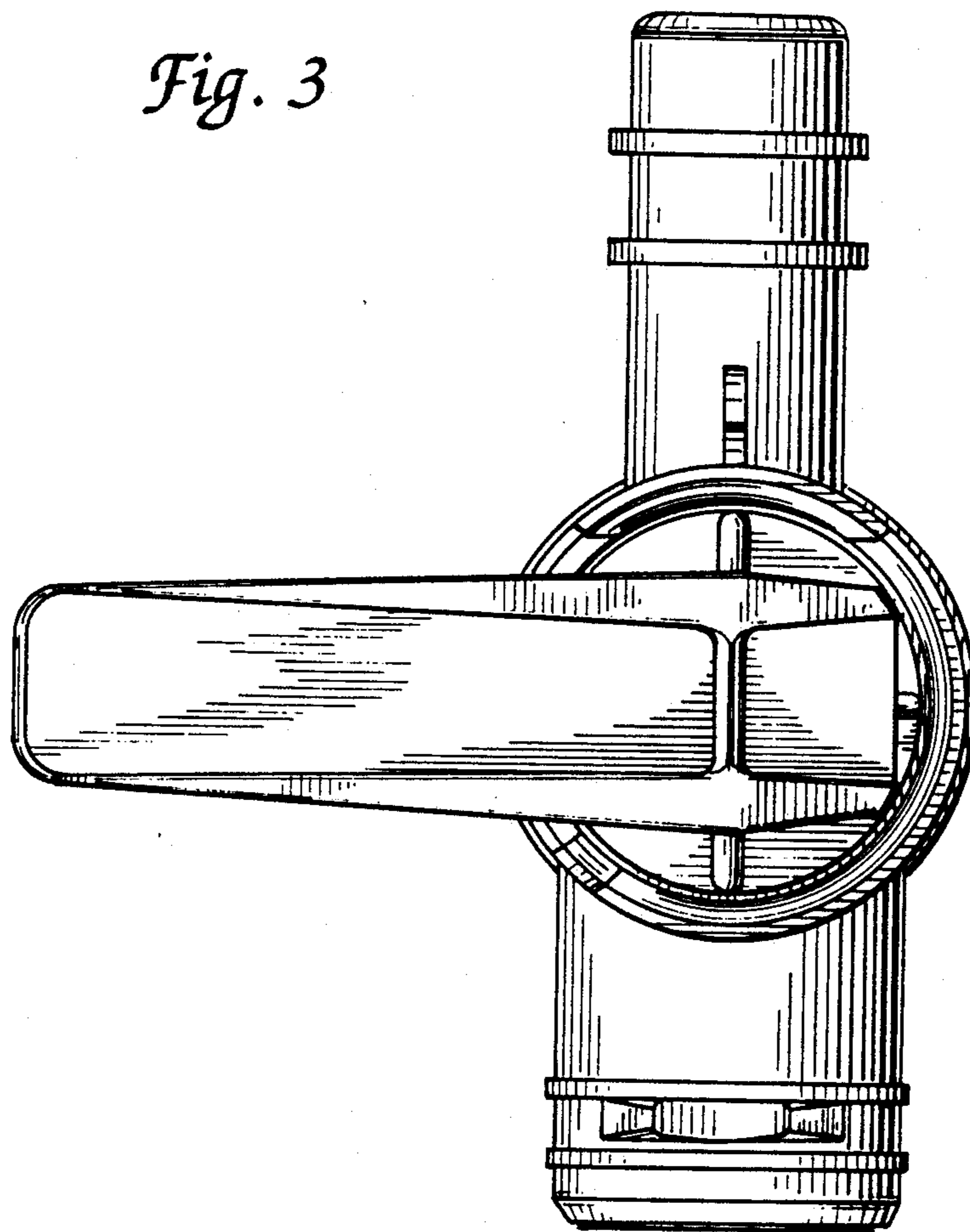
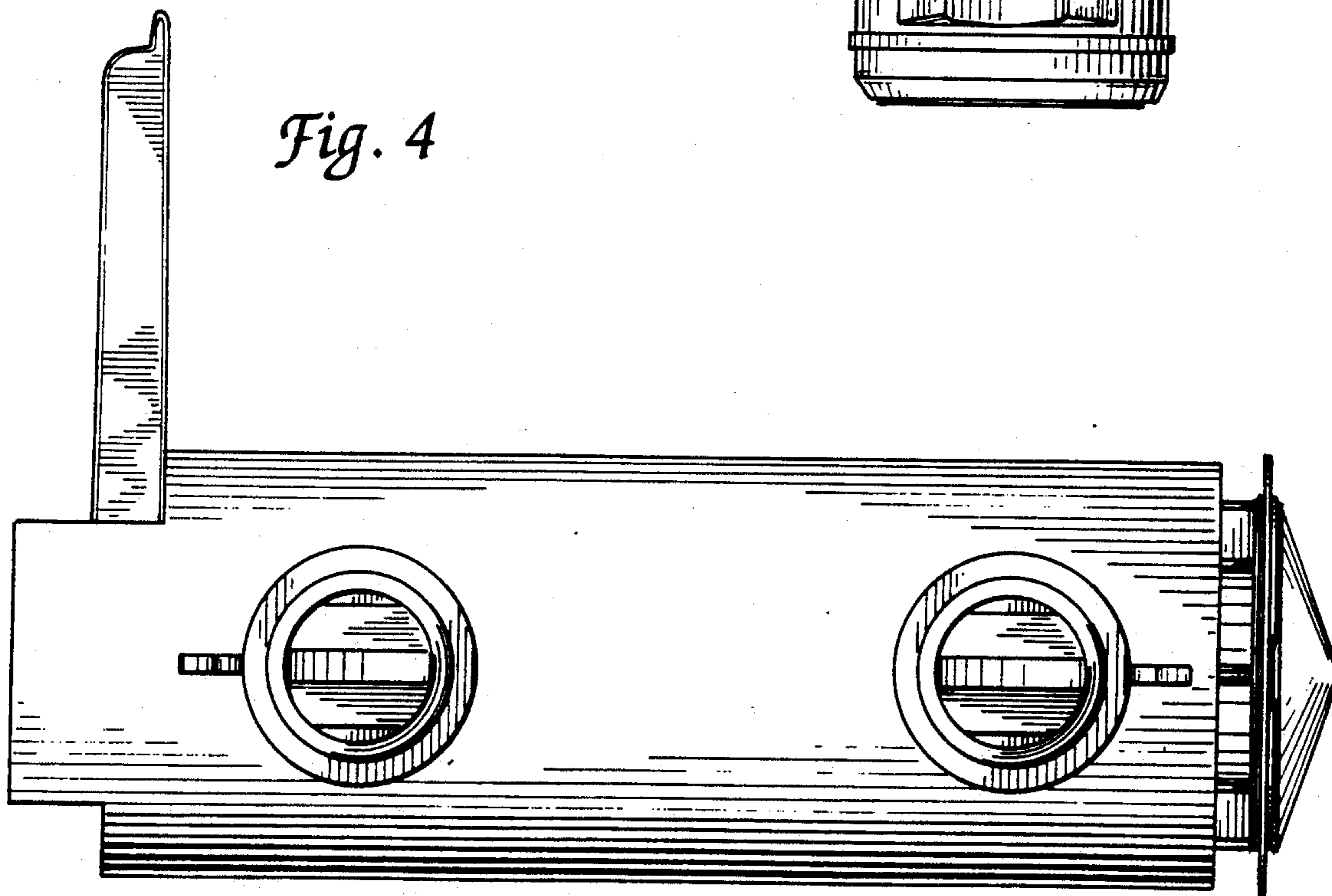


Fig. 4



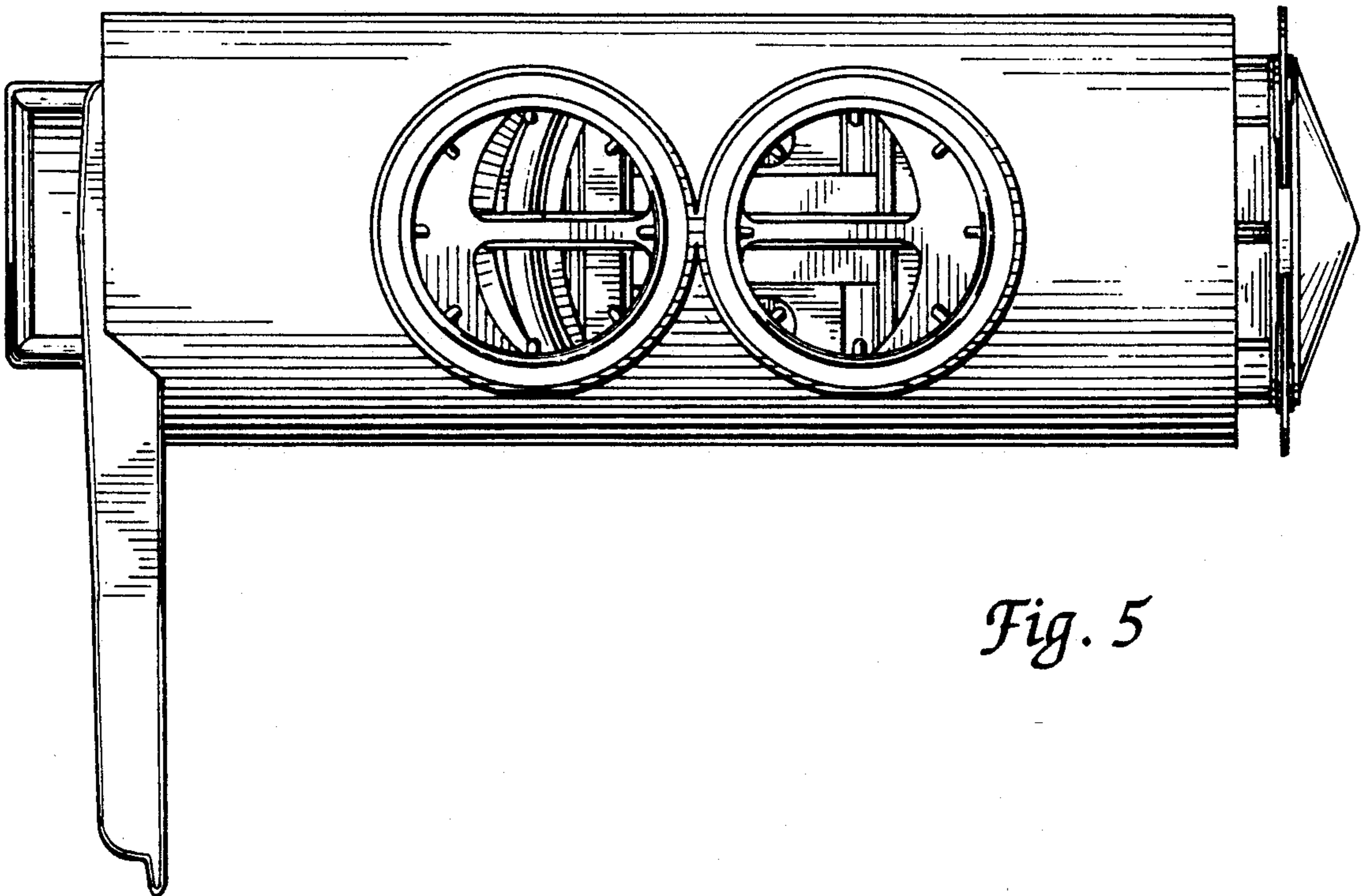


Fig. 5

Fig. 6

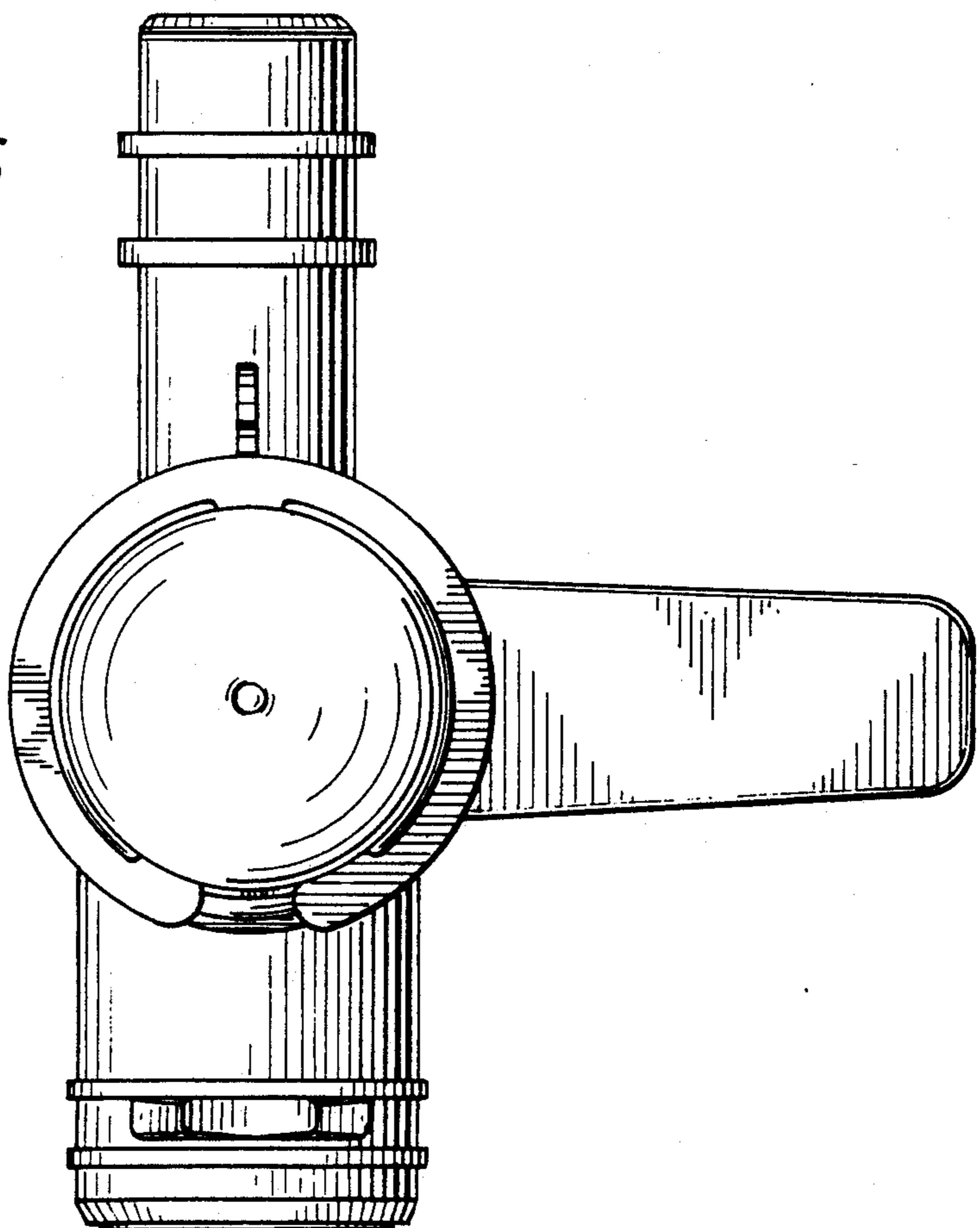


Fig. 7

