



US00D337627S

United States Patent [19]

[11] Patent Number: **Des. 337,627**

Moran

[45] Date of Patent: **** Jul. 20, 1993**

[54] PAINT BALL GUN

5,074,437 12/1991 D'Andrade 446/473
5,150,819 9/1992 Johnson 446/473

[76] Inventor: **John C. Moran, 3124 Lake Ave.,
Fort Wayne, Ind. 46805**

Primary Examiner—Bernard Ansher
Assistant Examiner—R. Barkai
Attorney, Agent, or Firm—Louis E. Hay

[**] Term: **14 Years**

[57] **CLAIM**

[21] Appl. No.: **722,275**

The ornamental design for a paint ball gun, as shown and described.

[22] Filed: **Jun. 27, 1991**

[52] U.S. Cl. **D21/147**

[58] Field of Search **D21/145, 146, 147;
D23/225; 446/267, 473; 222/78, 79; 239/211,
329, 337, 373**

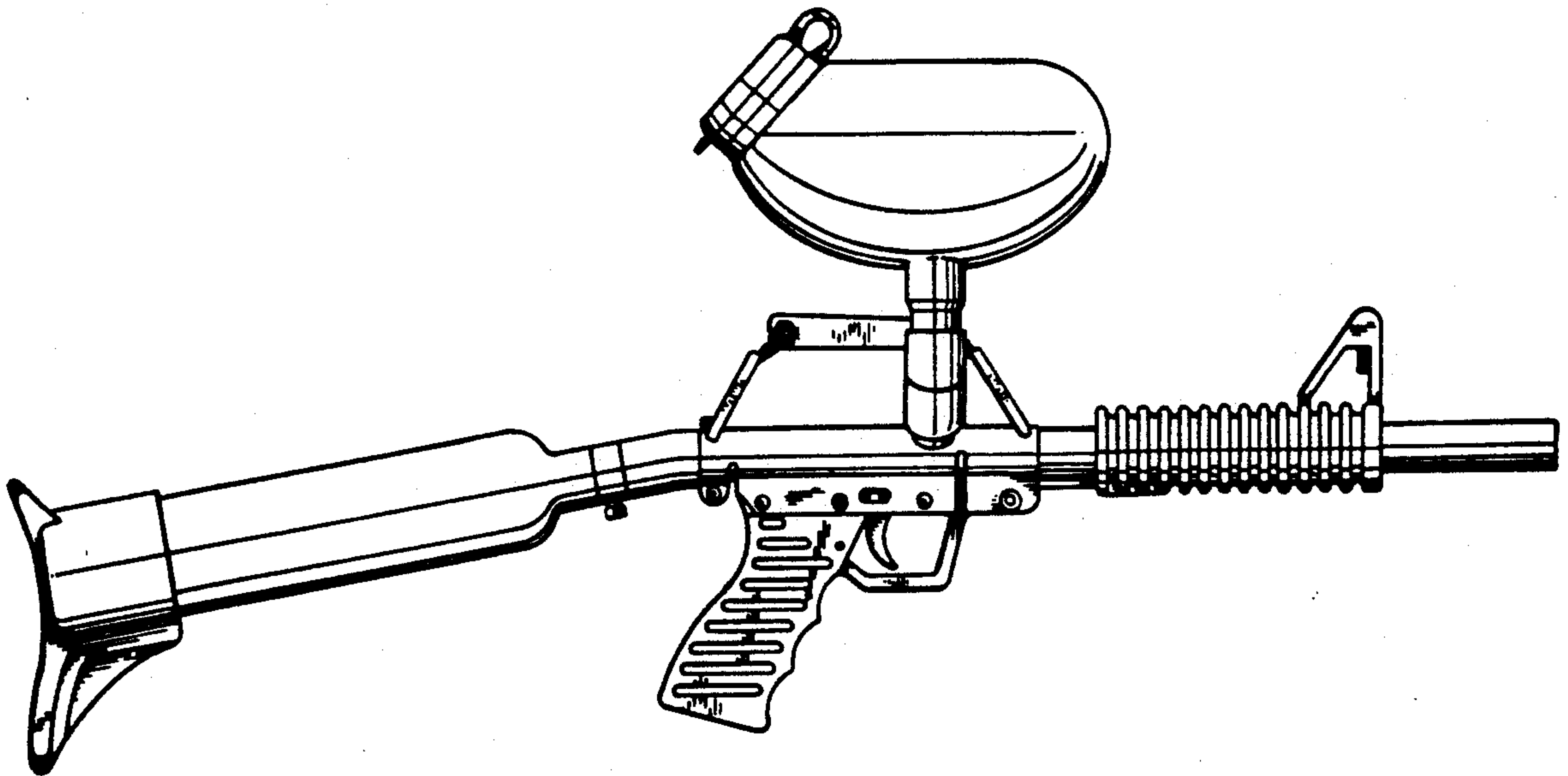
DESCRIPTION

[56] **References Cited**

U.S. PATENT DOCUMENTS

D. 265,221	6/1982	Hardin	D21/147
D. 285,327	8/1986	Yano	D21/147
D. 318,309	7/1991	D'Andrade	D21/147
2,097,749	11/1937	Wade	446/473
2,303,510	12/1942	Swebilius	446/473

FIG. 1 is an elevational view of the paint ball gun taken from the front side thereof;
FIG. 2 is a top plan view thereof;
FIG. 3 is an elevational view taken from the rear side thereof;
FIG. 4 is a bottom plan view thereof;
FIG. 5 is an elevational view taken from the right end thereof; and,
FIG. 6 is an elevational view taken from the left end thereof.



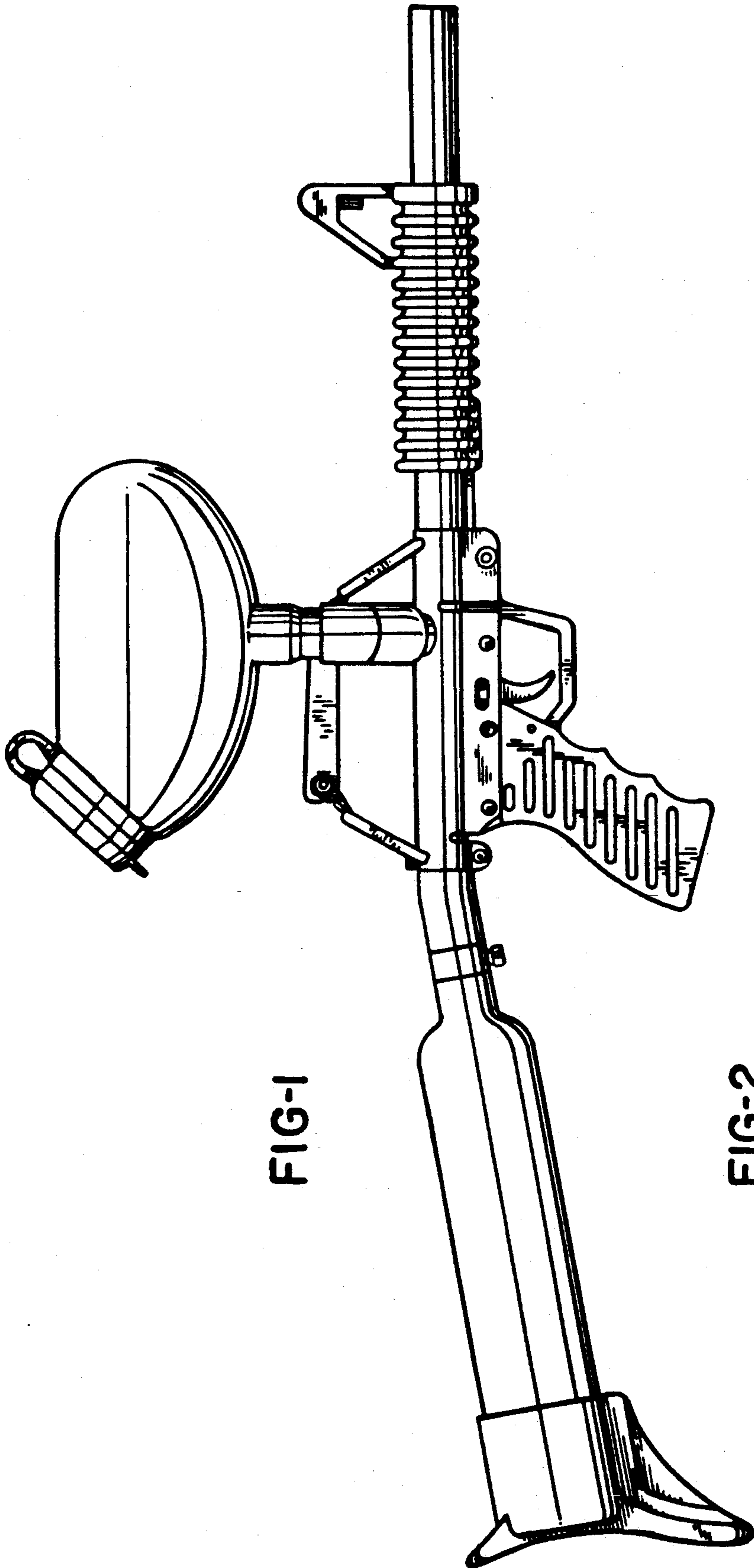


FIG-1

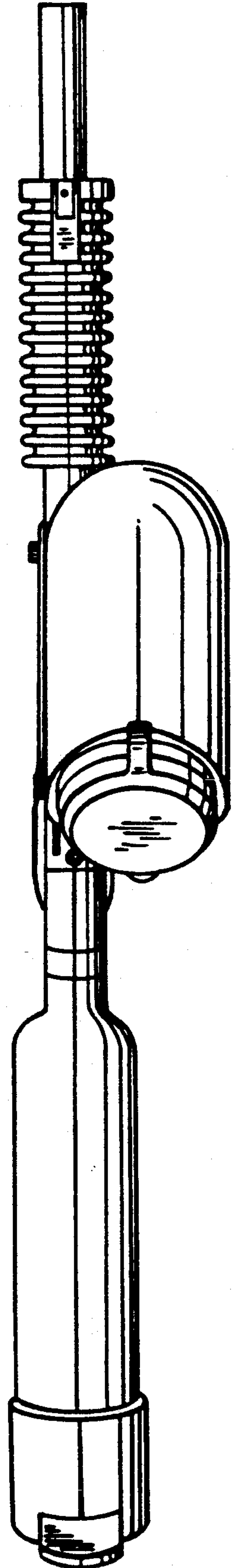


FIG-2

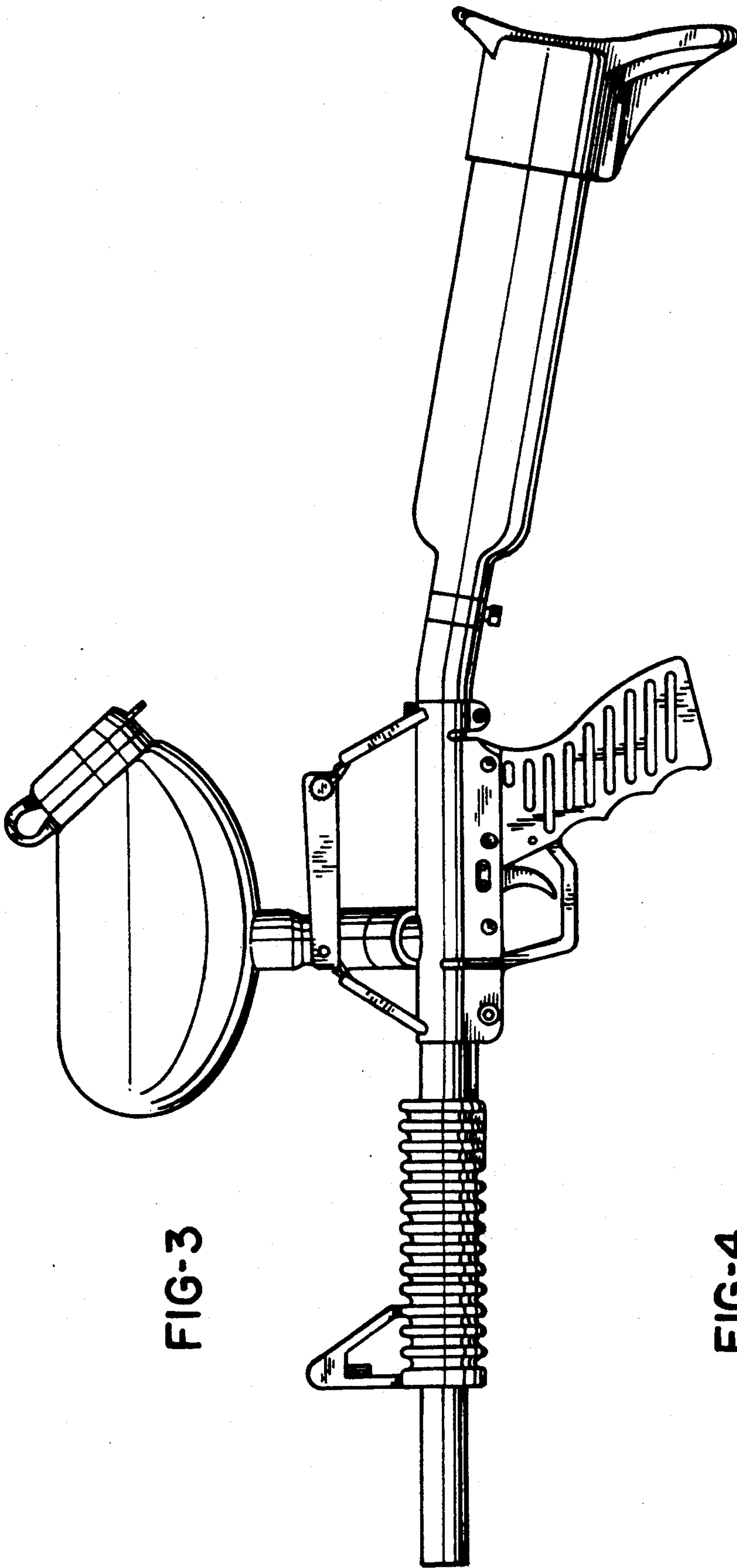


FIG-3

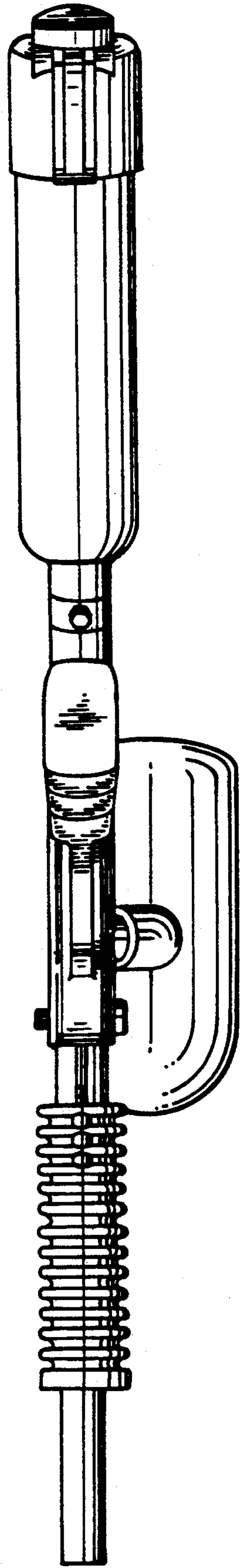


FIG-4

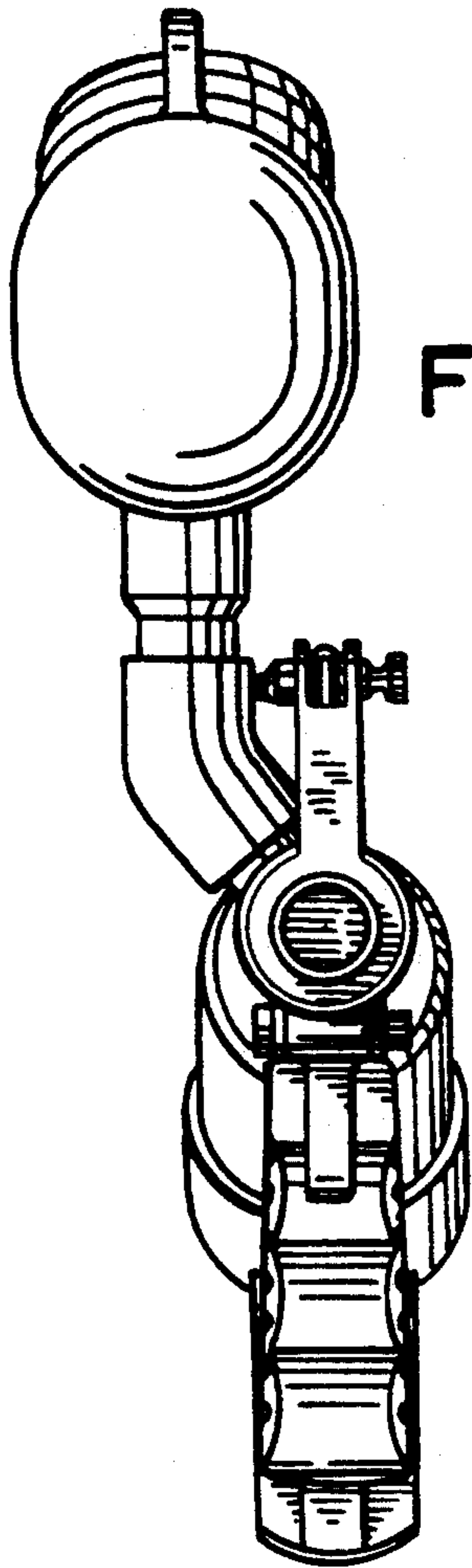


FIG-5

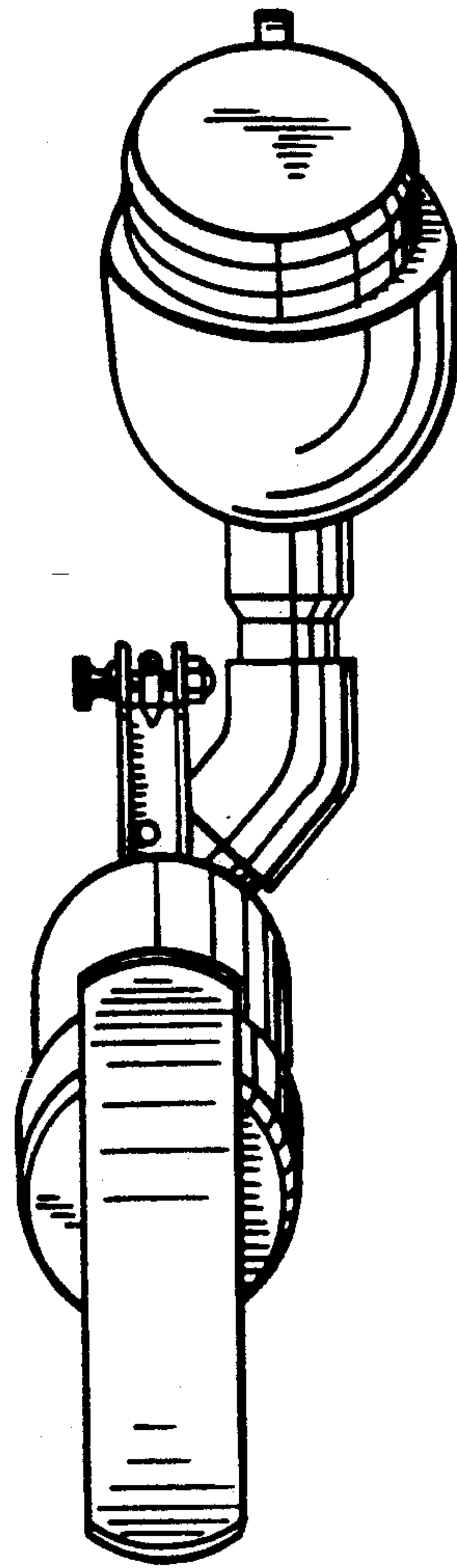


FIG-6