



US00D337622S

United States Patent [19]

[11] Patent Number: **Des. 337,622**

Schiffman

[45] Date of Patent: **** Jul. 20, 1993**

[54] **CHILD'S WHEELED VEHICLE**

4,732,400 3/1988 Santini D21/227
5,165,711 11/1992 Tsai et al. 280/87.041

[75] Inventor: **Alvin Schiffman, Boca Raton, Fla.**

Primary Examiner—Melvin B. Feifer
Attorney, Agent, or Firm—James P. Ryther

[73] Assignee: **Radio Flyer Inc., Chicago, Ill.**

[**] Term: **14 Years**

[57] **CLAIM**

[21] Appl. No.: **641,097**

The ornamental design for child's wheeled vehicle, as shown.

[22] Filed: **Jan. 14, 1991**

DESCRIPTION

[52] U.S. Cl. **D21/71**

[58] Field of Search **D21/71, 227;**
280/87.041

FIG. 1 is a front perspective view of a child's wheeled vehicle showing my new design;
FIG. 2 is a side elevational view of the invention;
FIG. 3 is a top plan view of the invention;
FIG. 4 is a bottom plan view of the invention;
FIG. 5 is a front elevational view of the invention; and,
FIG. 6 is a rear elevational view of the invention.

[56] **References Cited**

U.S. PATENT DOCUMENTS

D. 258,169 2/1981 Lukes D21/227

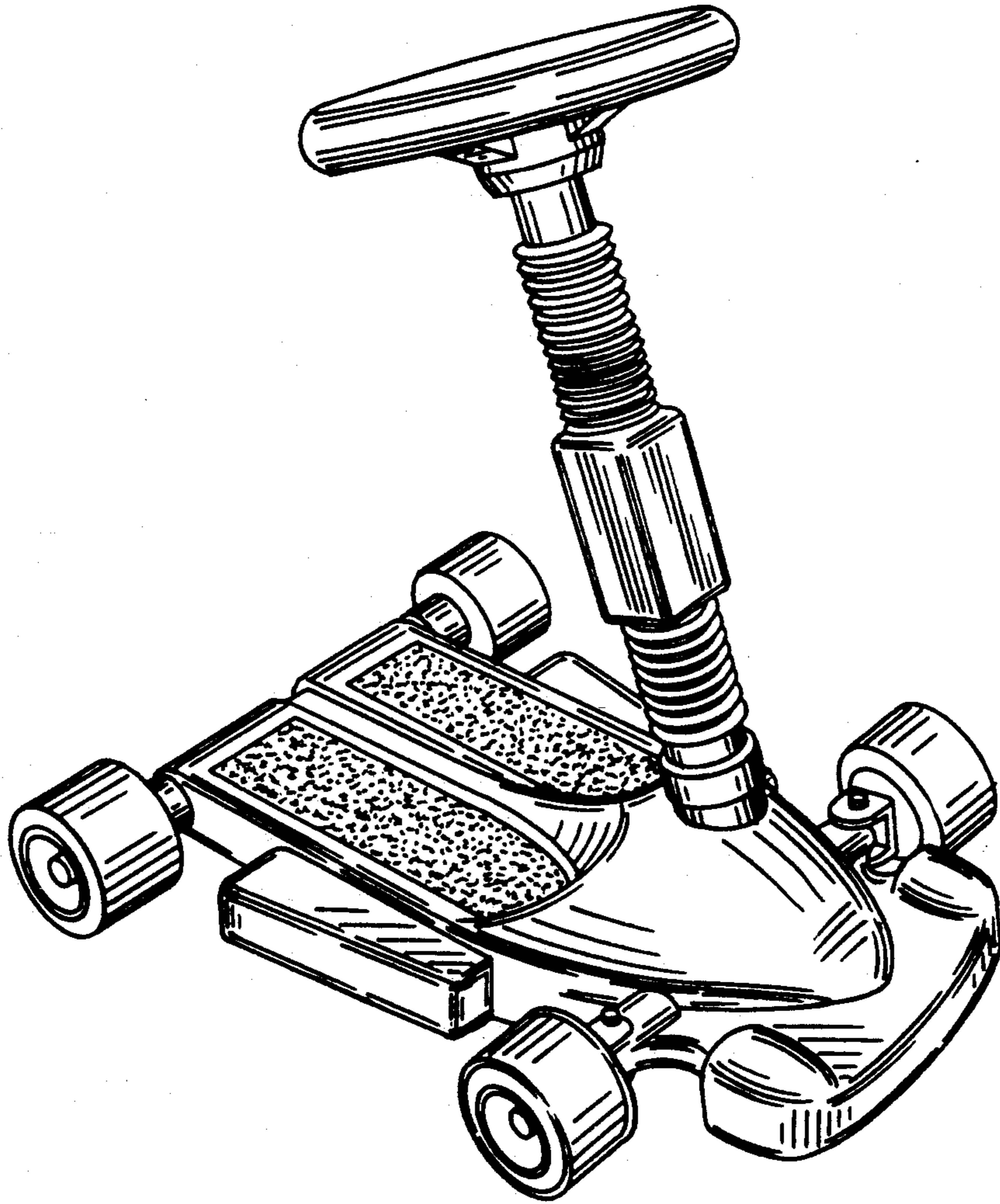


FIG. 1

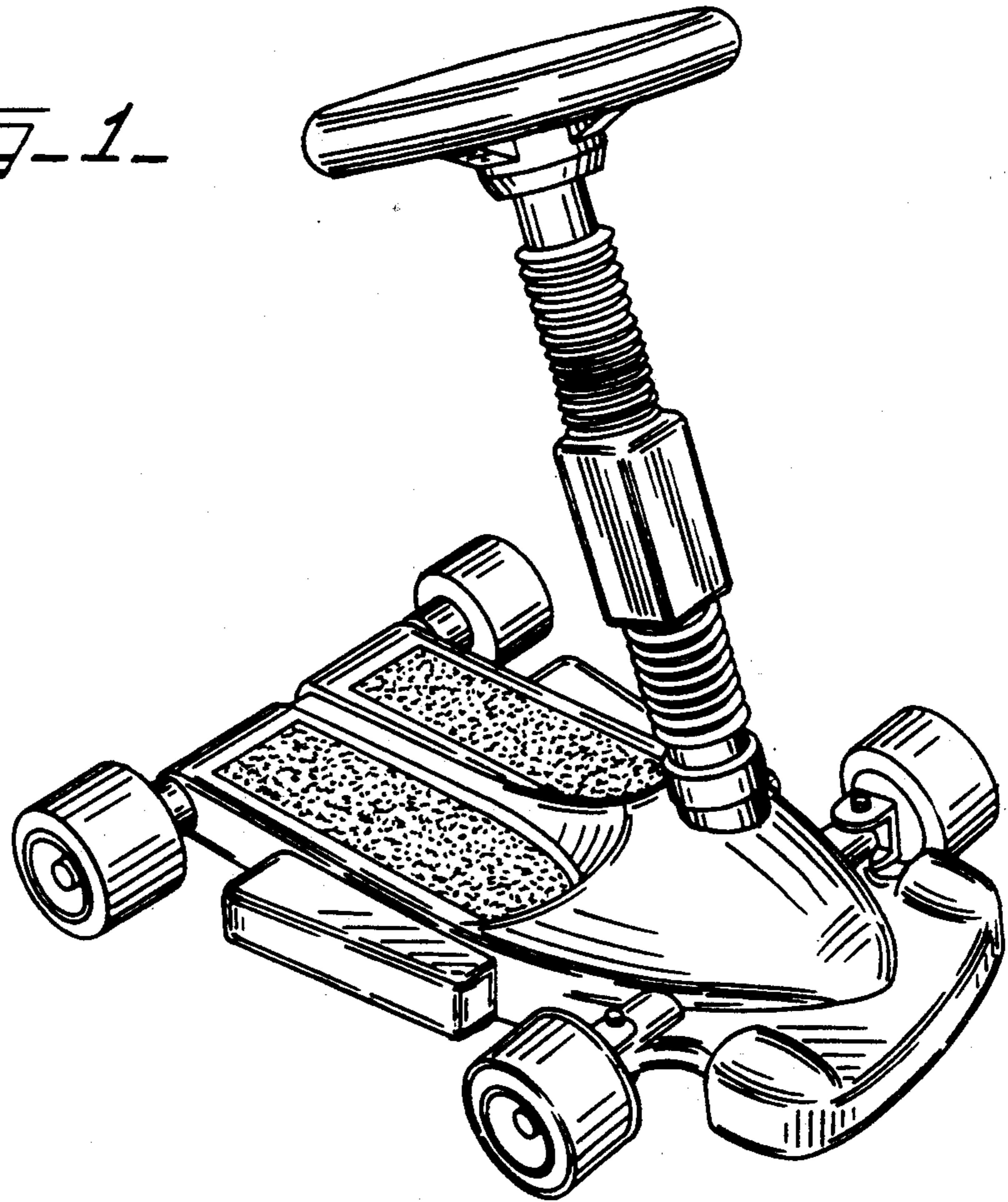


FIG. 2

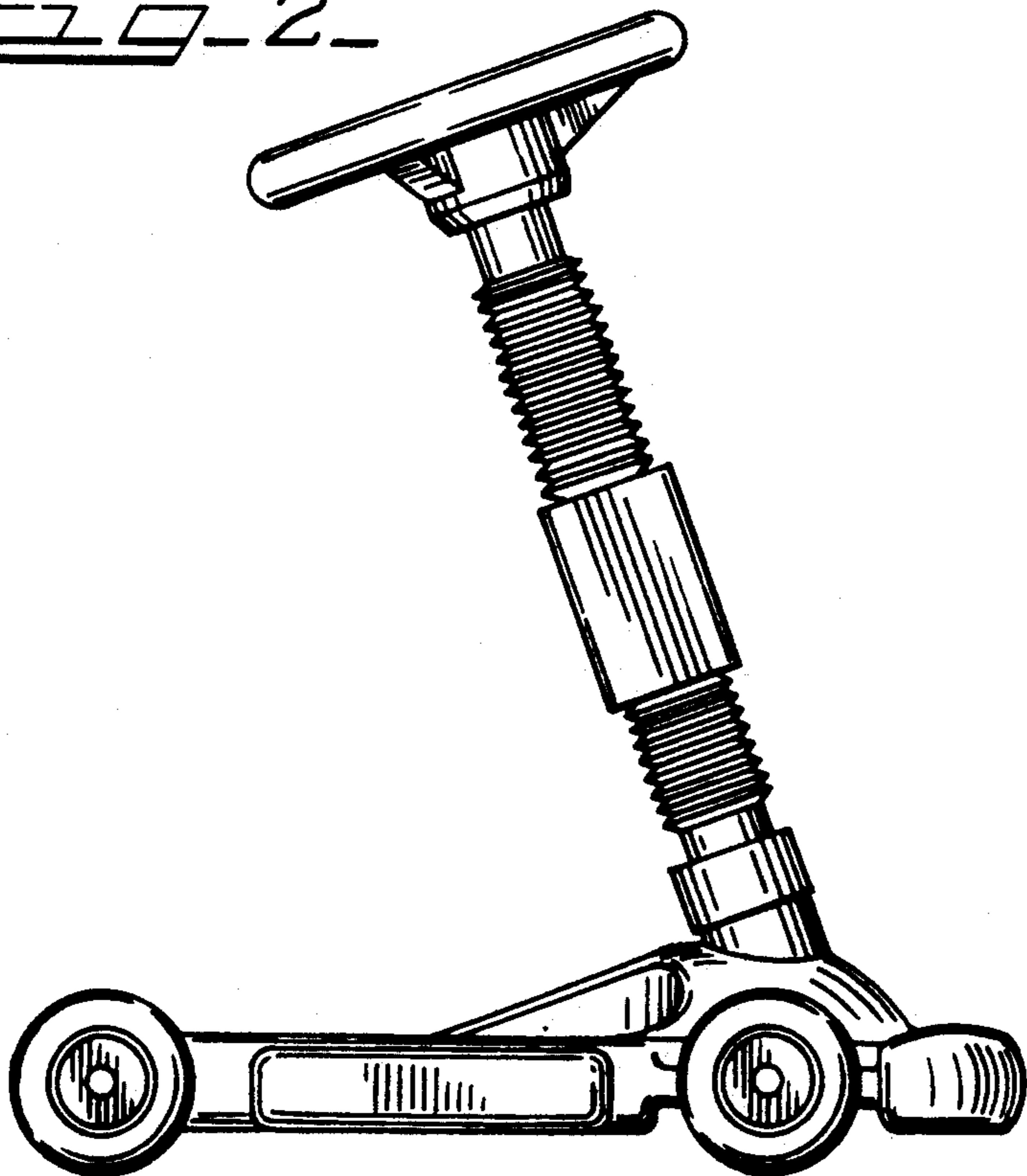


FIG. 3

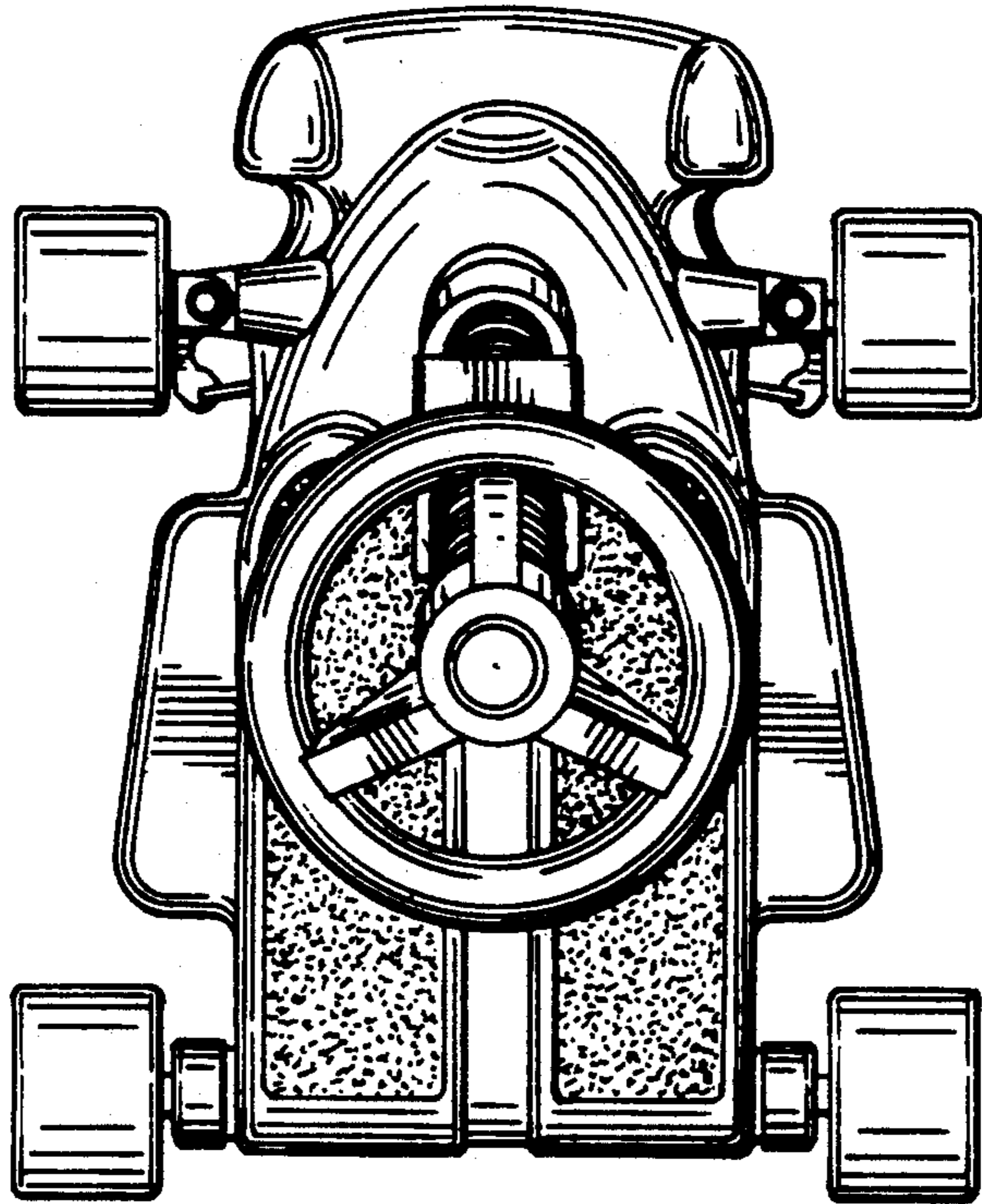


FIG. 4

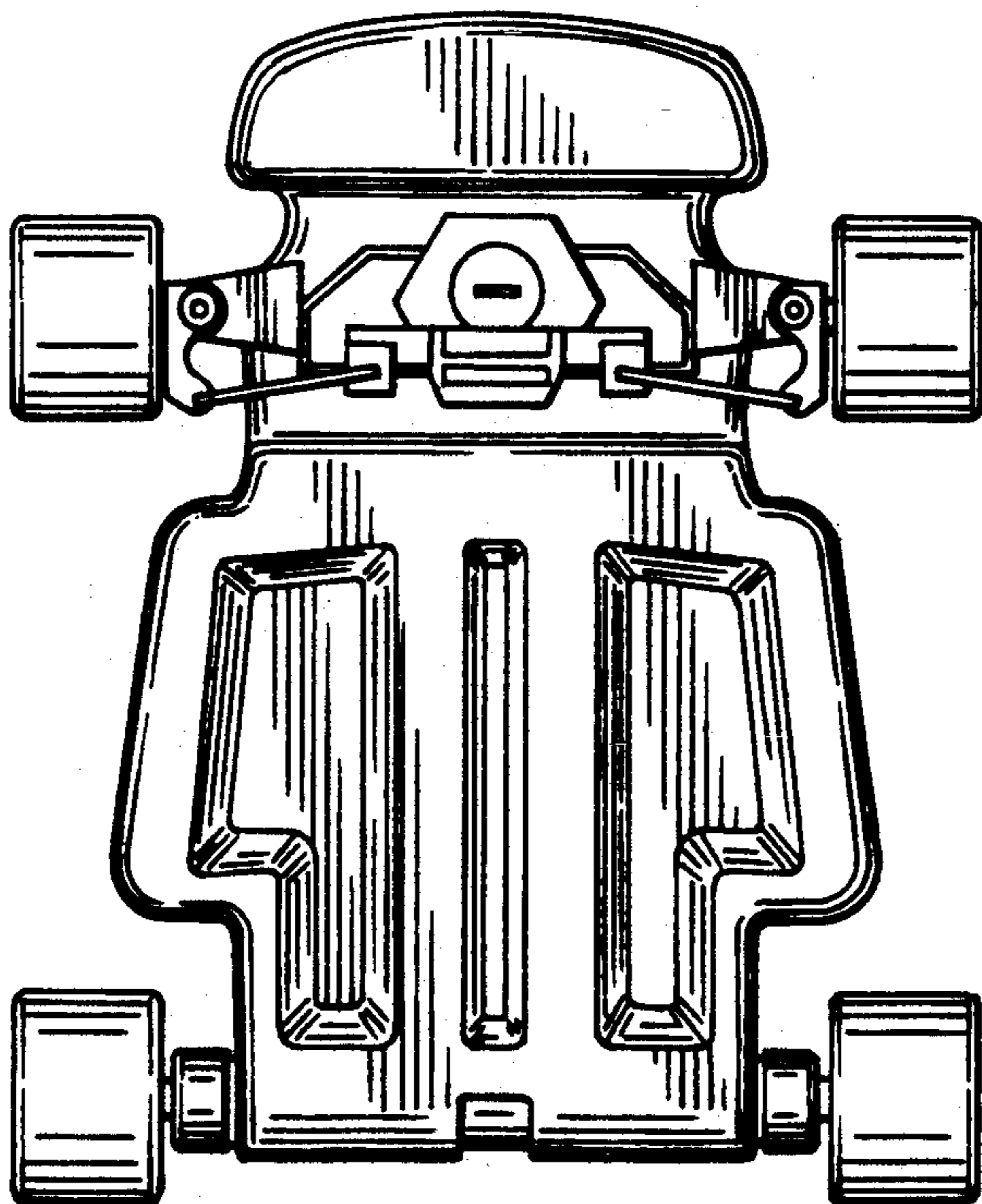


FIG. 5

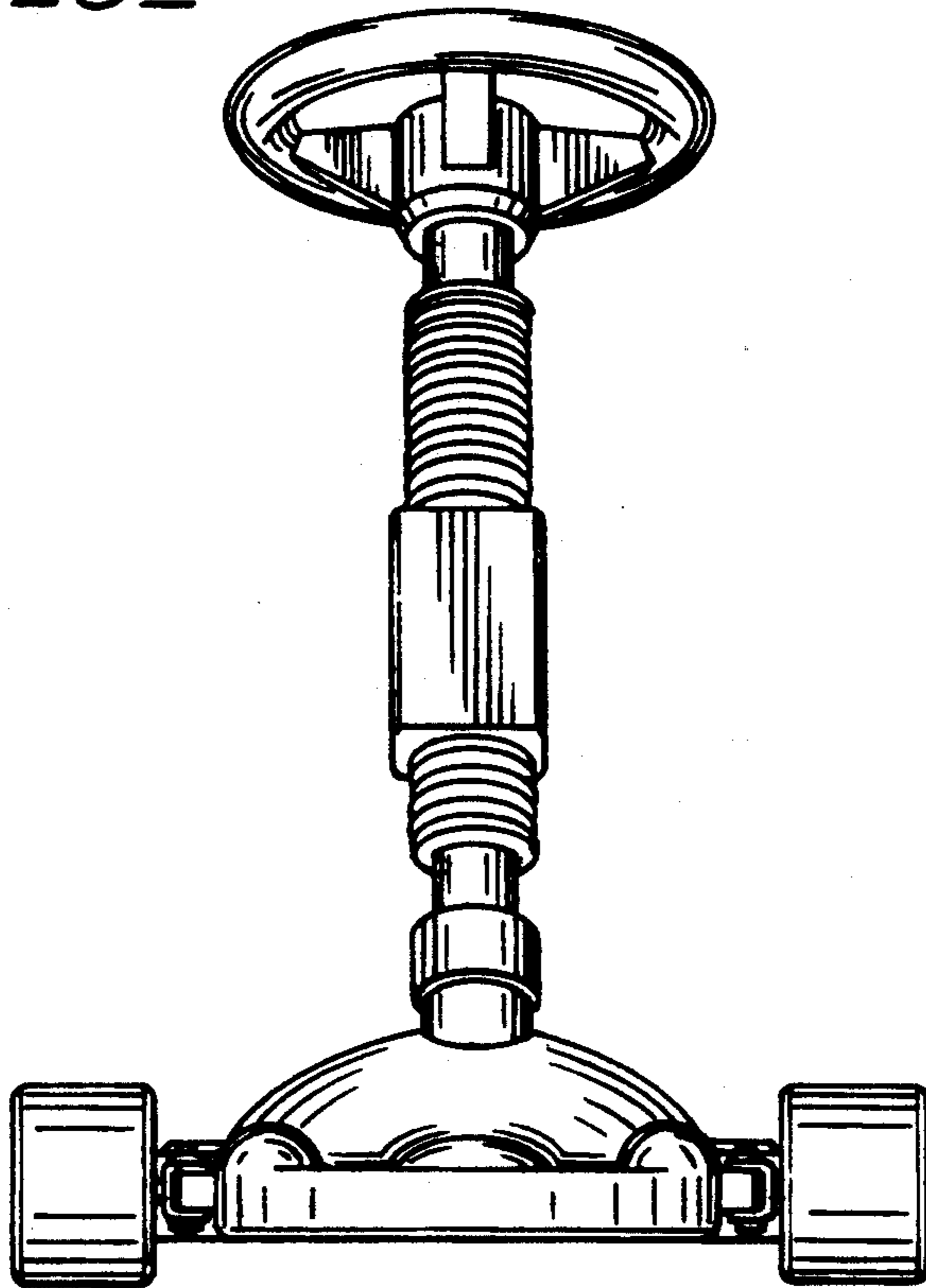


FIG. 6

