



US00D337621S

# United States Patent [19] Wong

[11] Patent Number: **Des. 337,621**

[45] Date of Patent: **\*\* Jul. 20, 1993**

[54] TOY

[75] Inventor: **Paul C. F. Wong, Kowloon, Hong Kong**

[73] Assignee: **Genco Industries Limited, Hong Kong**

[\*\*] Term: **14 Years**

[21] Appl. No.: **724,963**

[22] Filed: **Jul. 2, 1991**

[30] Foreign Application Priority Data

Apr. 11, 1991 [GB] United Kingdom ..... 2014069

[52] U.S. Cl. .... **D21/62**

[58] Field of Search ..... **D21/62, 64; 446/247, 446/250-252, 397, 418, 419, 421-423**

[56] References Cited

### U.S. PATENT DOCUMENTS

139,533	6/1873	Batchelder .....	D21/62
D. 226,106	1/1973	Urquhart .....	D21/62
D. 309,475	7/1990	Salehzadeh .....	D21/62
D. 319,672	9/1991	Blecka .....	D21/62
D. 326,484	5/1992	Mvoke .....	D21/62

*Primary Examiner*—Bernard Ansher  
*Assistant Examiner*—Dominic Simone  
*Attorney, Agent, or Firm*—Pollock, Vande Sande & Priddy

[57] CLAIM

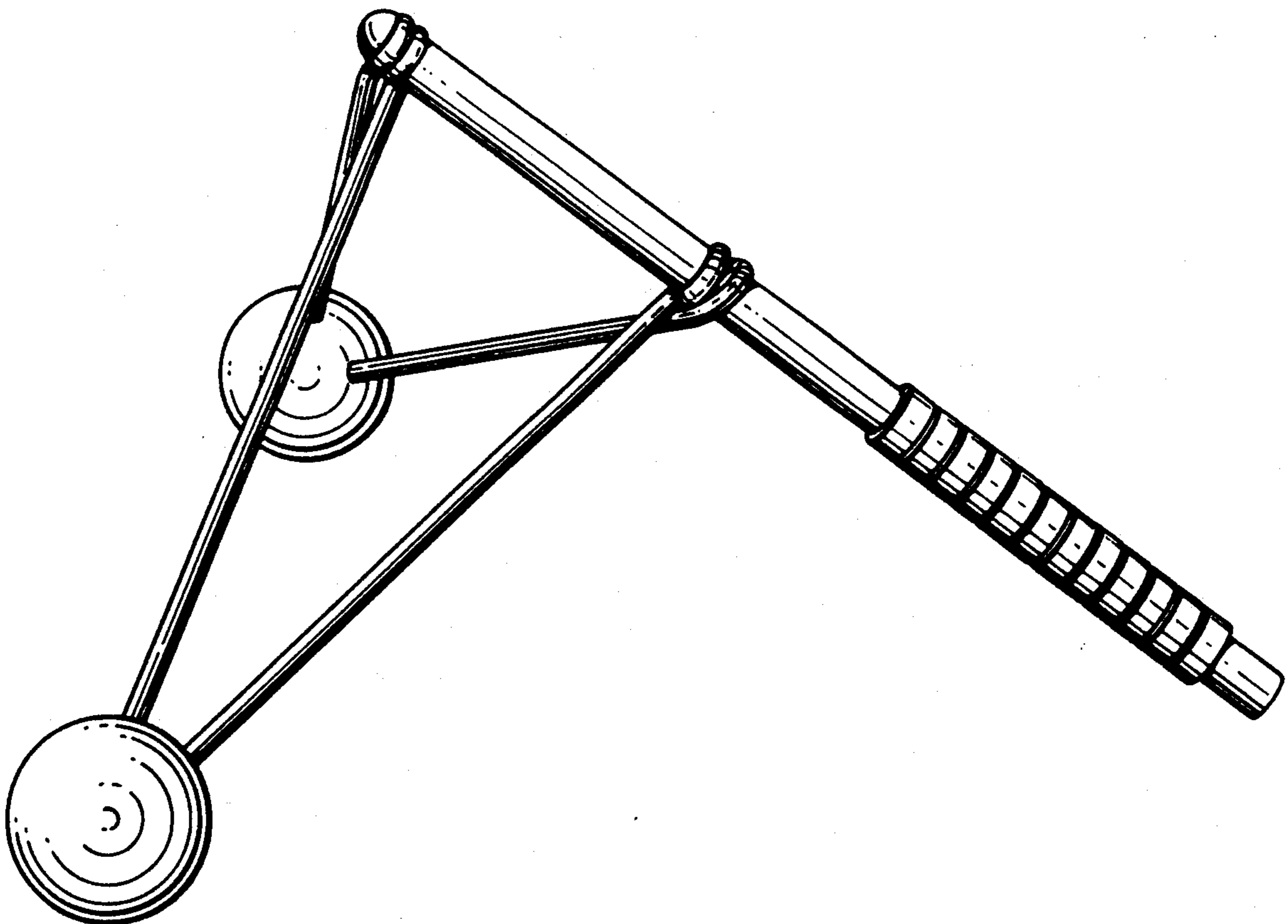
The ornamental design for a toy, as shown.

### DESCRIPTION

FIG. 1 is a perspective view of a toy showing my new design;

FIG. 2 is a perspective view from above; and,

FIG. 3 is a plan view.



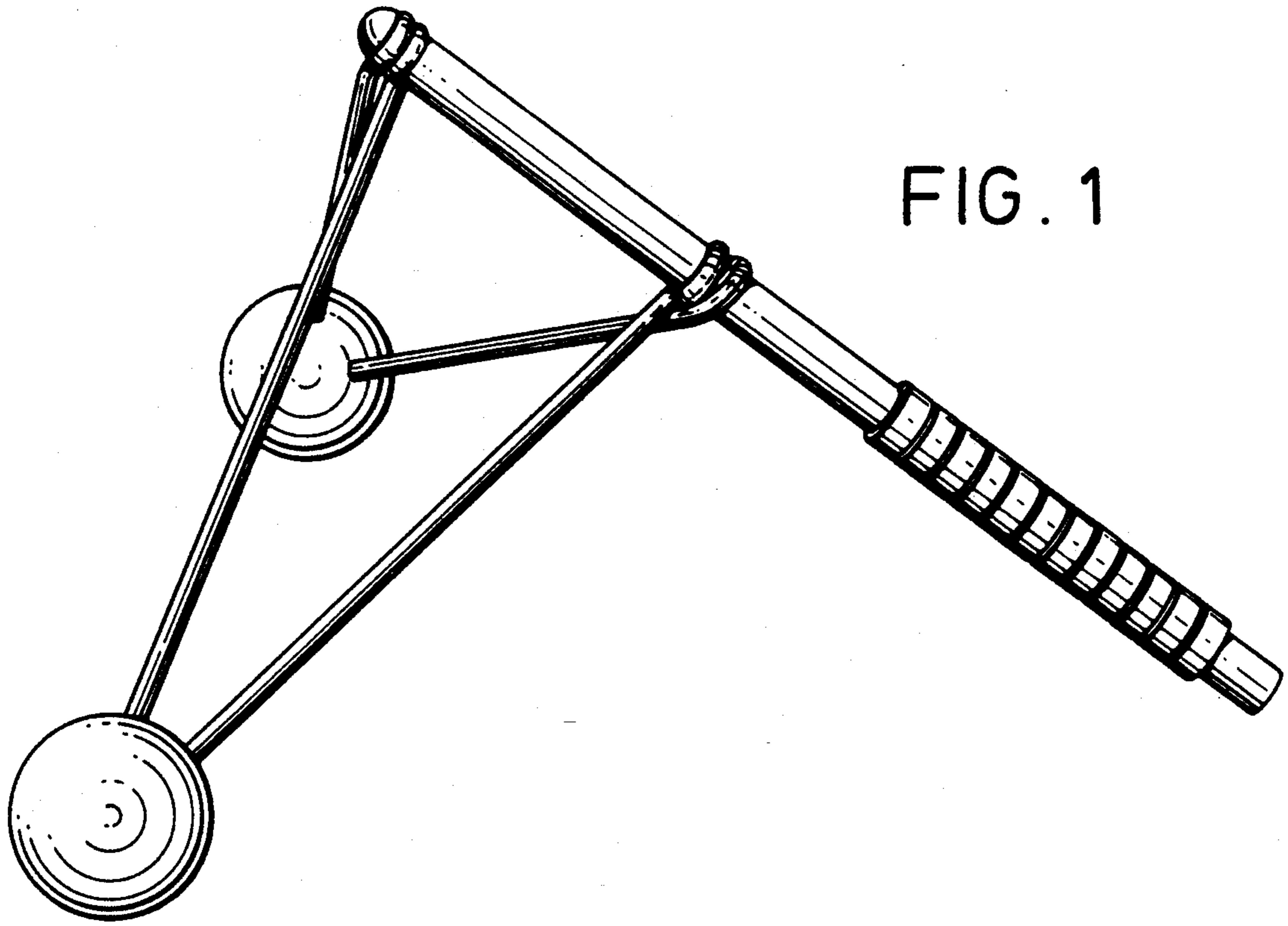


FIG. 1

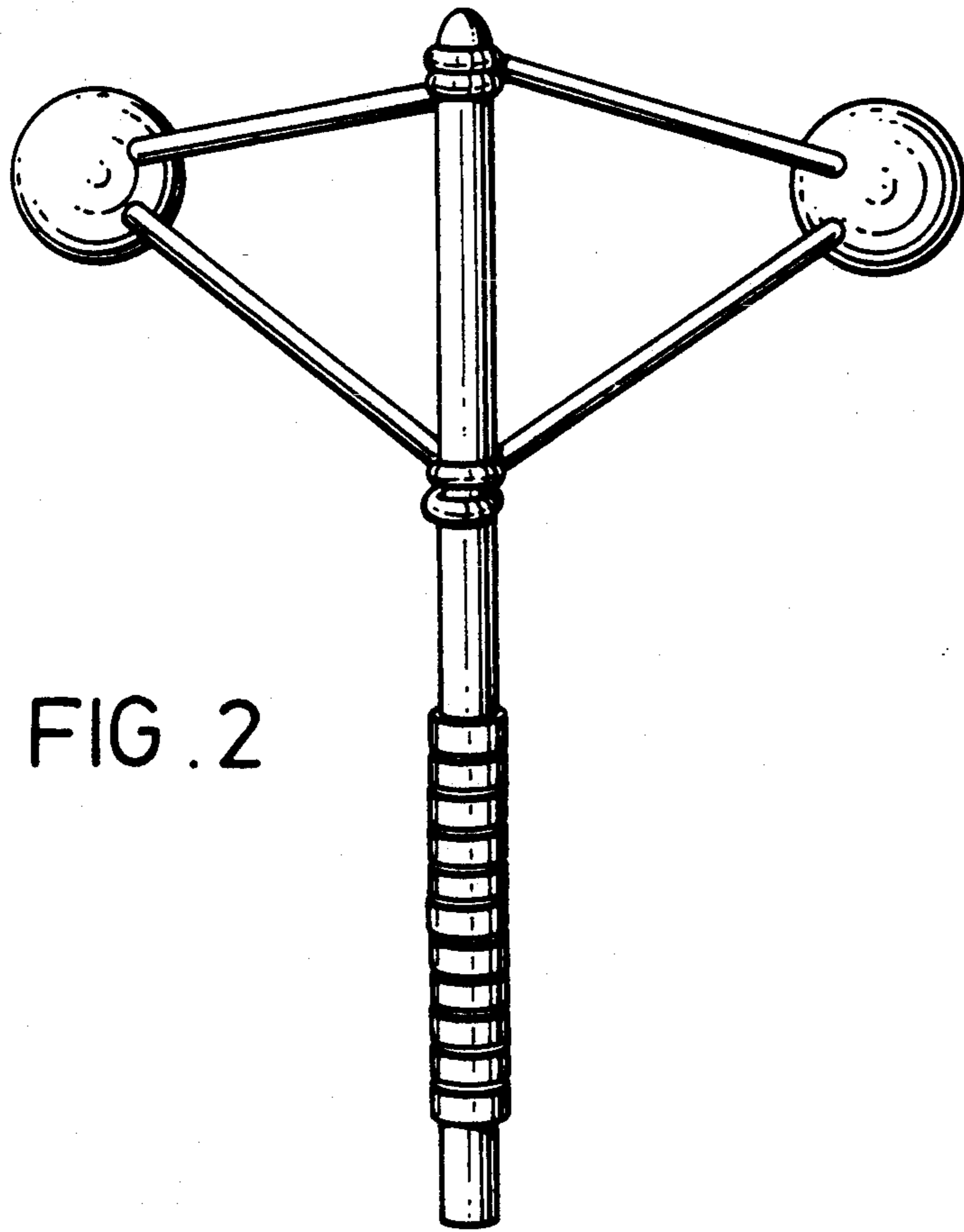


FIG. 2

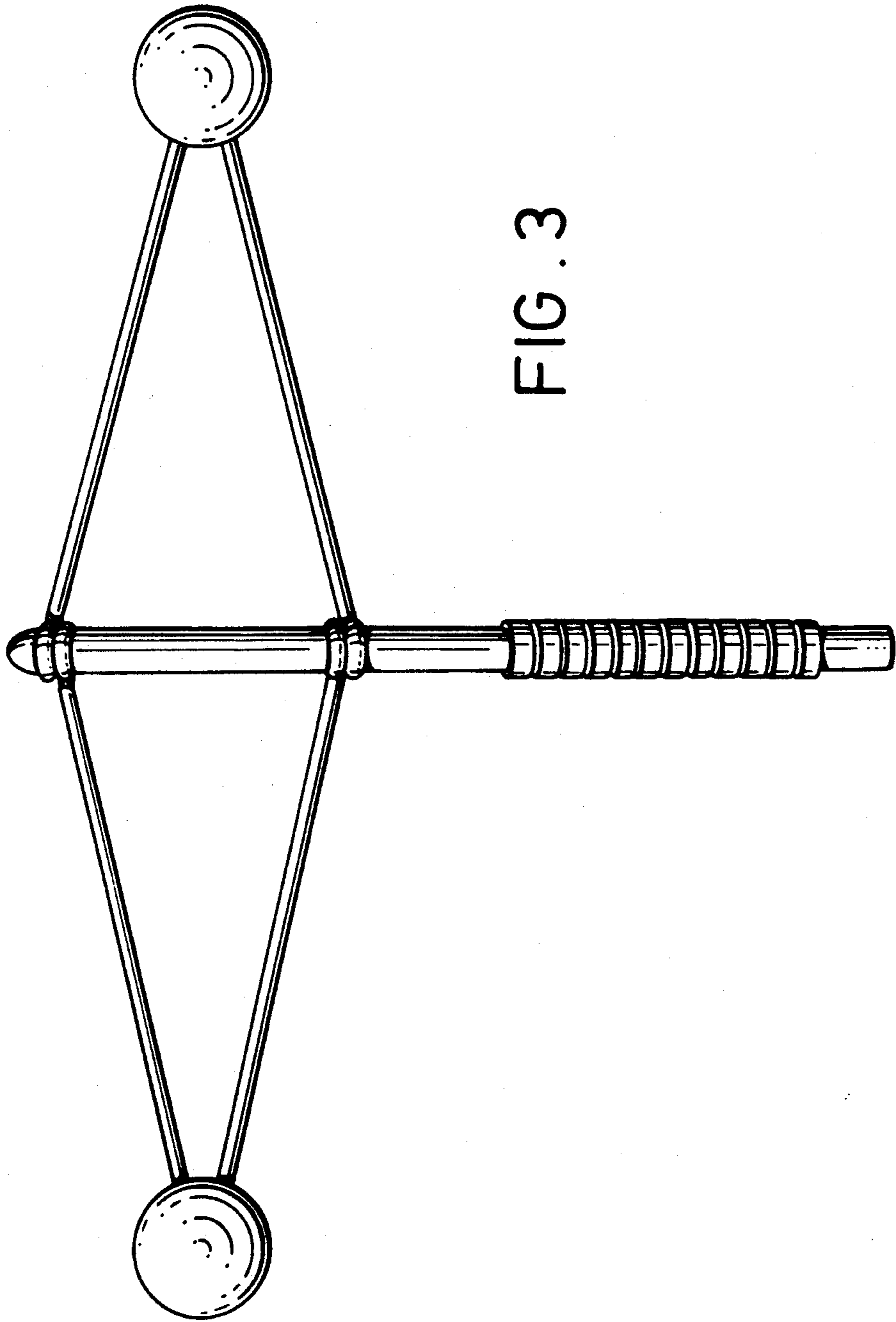


FIG. 3

UNITED STATES PATENT AND TRADEMARK OFFICE  
**CERTIFICATE OF CORRECTION**

PATENT NO. : Des. 337,621  
DATED : July 20, 1993  
INVENTOR(S) : Paul C. F. WONG

It is certified that error appears in the above-identified patent and that said Letters Patent is hereby corrected as shown below:

On the title page, item (73):

Assignee: Genco Industries Limited, Hong  
Kong"

to

-- Assignee: Genco Industries Limited, Hong  
Kong--.

Signed and Sealed this  
Seventh Day of June, 1994

Attest:



BRUCE LEHMAN

Attesting Officer

Commissioner of Patents and Trademarks