



US00D337619S

United States Patent [19]

Evenson

[11] Patent Number: **Des. 337,619**

[45] Date of Patent: **** Jul. 20, 1993**

[54] **VERTICAL FILE MODULE**

[75] Inventor: **Mel Evenson, San Pedro, Calif.**

[73] Assignee: **Rubbermaid Office Products Group Inc., Inglewood, Calif.**

[*] Notice: The portion of the term of this patent subsequent to Dec. 18, 2004 has been disclaimed.

[**] Term: **14 Years**

[21] Appl. No.: **501,508**

[22] Filed: **Mar. 30, 1990**

[52] U.S. Cl. **D19/99; D19/90; D19/86**

[58] Field of Search **D19/65, 75, 86, 90, D19/91, 95, 99, 100; 211/10, 11, 45, 50, 55, 184; 312/183, 184**

[56] **References Cited**

U.S. PATENT DOCUMENTS

- D. 180,863 8/1957 Collins D19/90
- D. 249,353 9/1978 Juergens et al. D19/90

- D. 276,923 12/1984 Evenson D19/99
- D. 288,214 2/1987 Evenson D19/99
- D. 306,040 2/1990 Evenson D19/90
- D. 313,047 12/1990 Evenson D19/99
- D. 313,430 1/1991 Evenson D19/90

Primary Examiner—Nelson C. Holtje
Assistant Examiner—Martha Thompson
Attorney, Agent, or Firm—Richard B. O'Planick; Lisa B. Riedesel

[57] **CLAIM**

The ornamental design for a vertical file module, as shown and described.

DESCRIPTION

FIG. 1 is a top plan view of a vertical file module showing my new design;
FIG. 2 is a front elevational view;
FIG. 3 is a bottom plan view;
FIG. 4 is a rear elevational view;
FIG. 5 is a left side elevational view;
FIG. 6 is a right side elevational view; and,
FIG. 7 is a top, right front perspective view thereof, drawn to a reduced scale with respect to FIGS. 1 through 6.

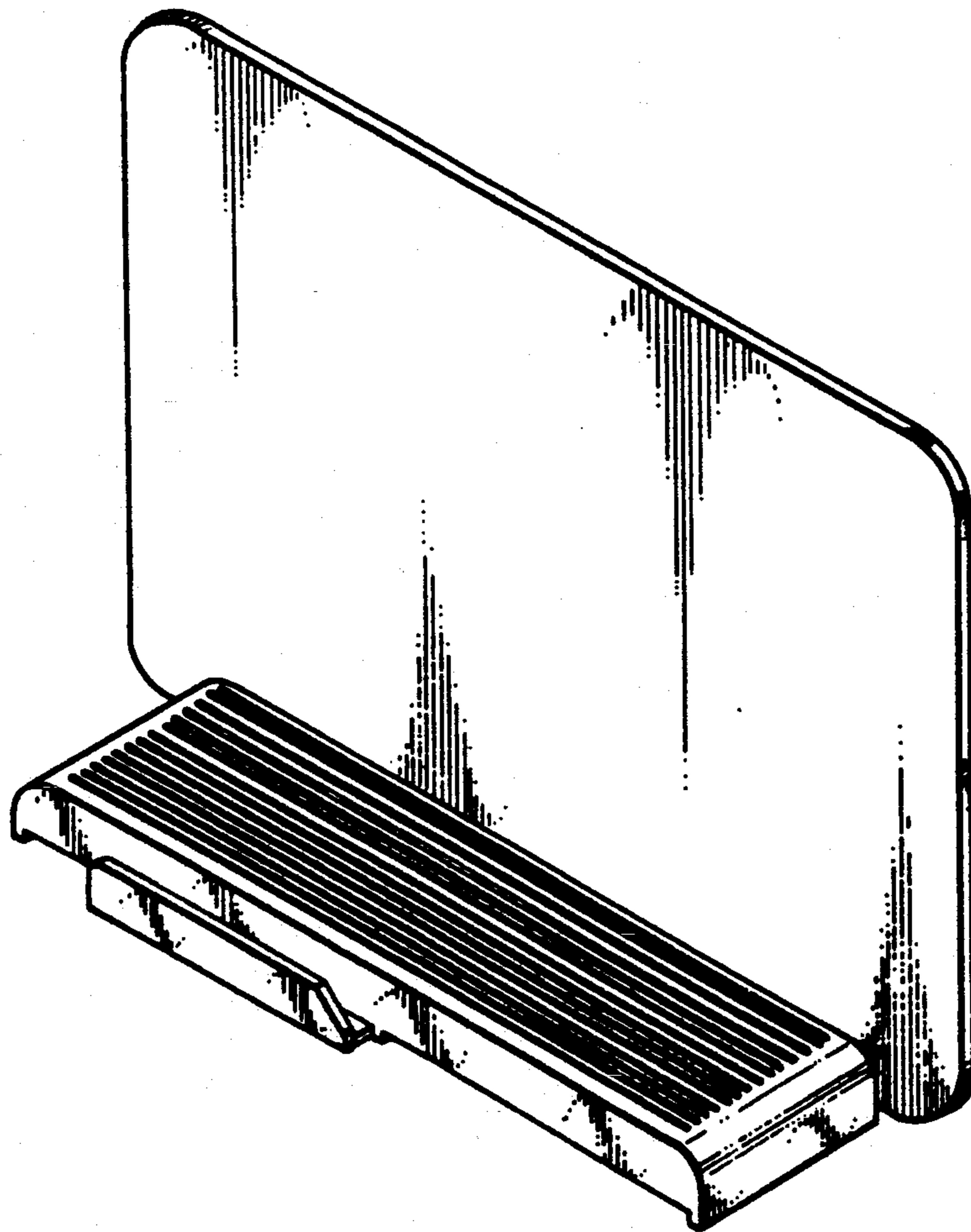


FIG. 1

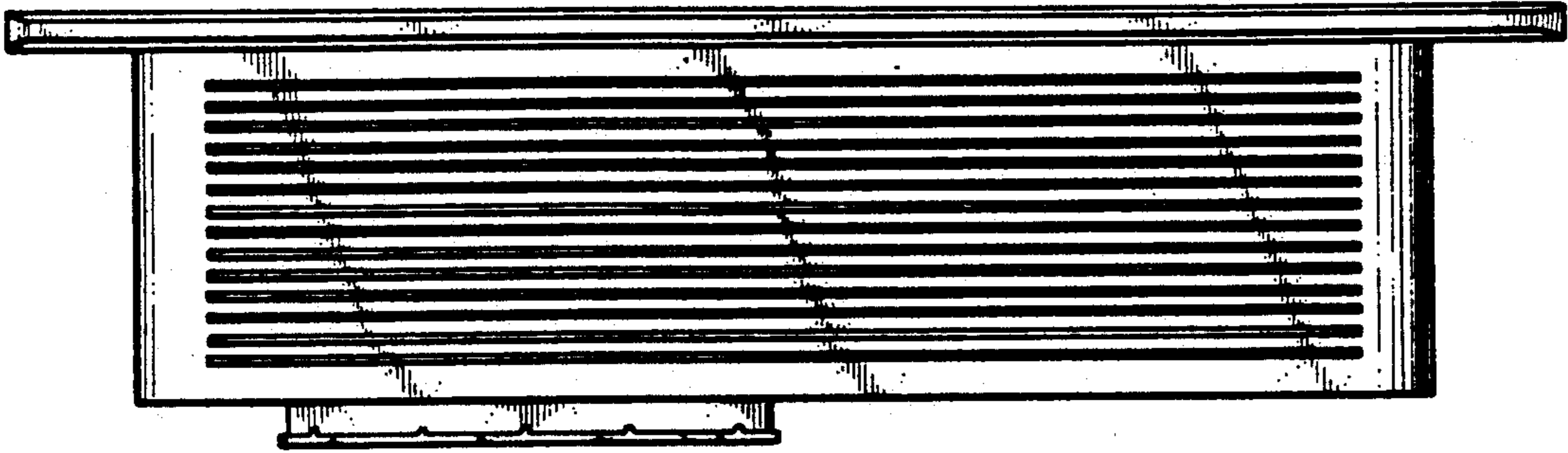


FIG. 2

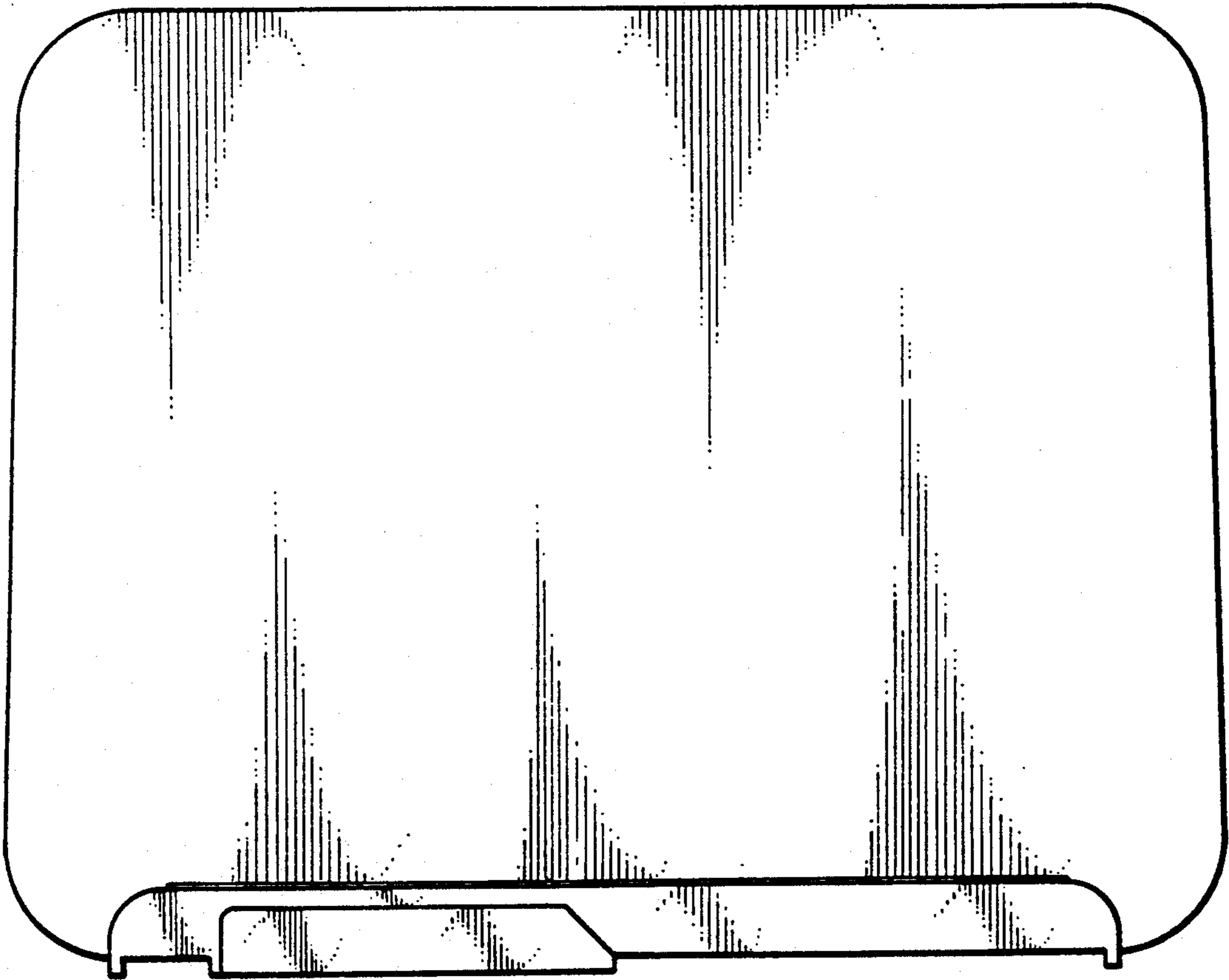


FIG. 3

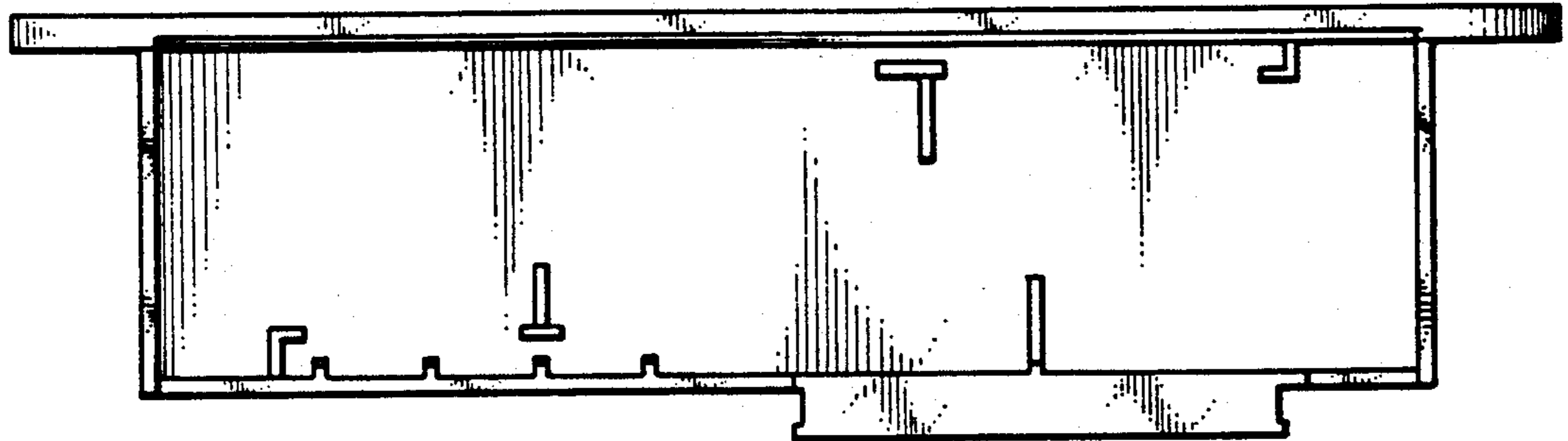
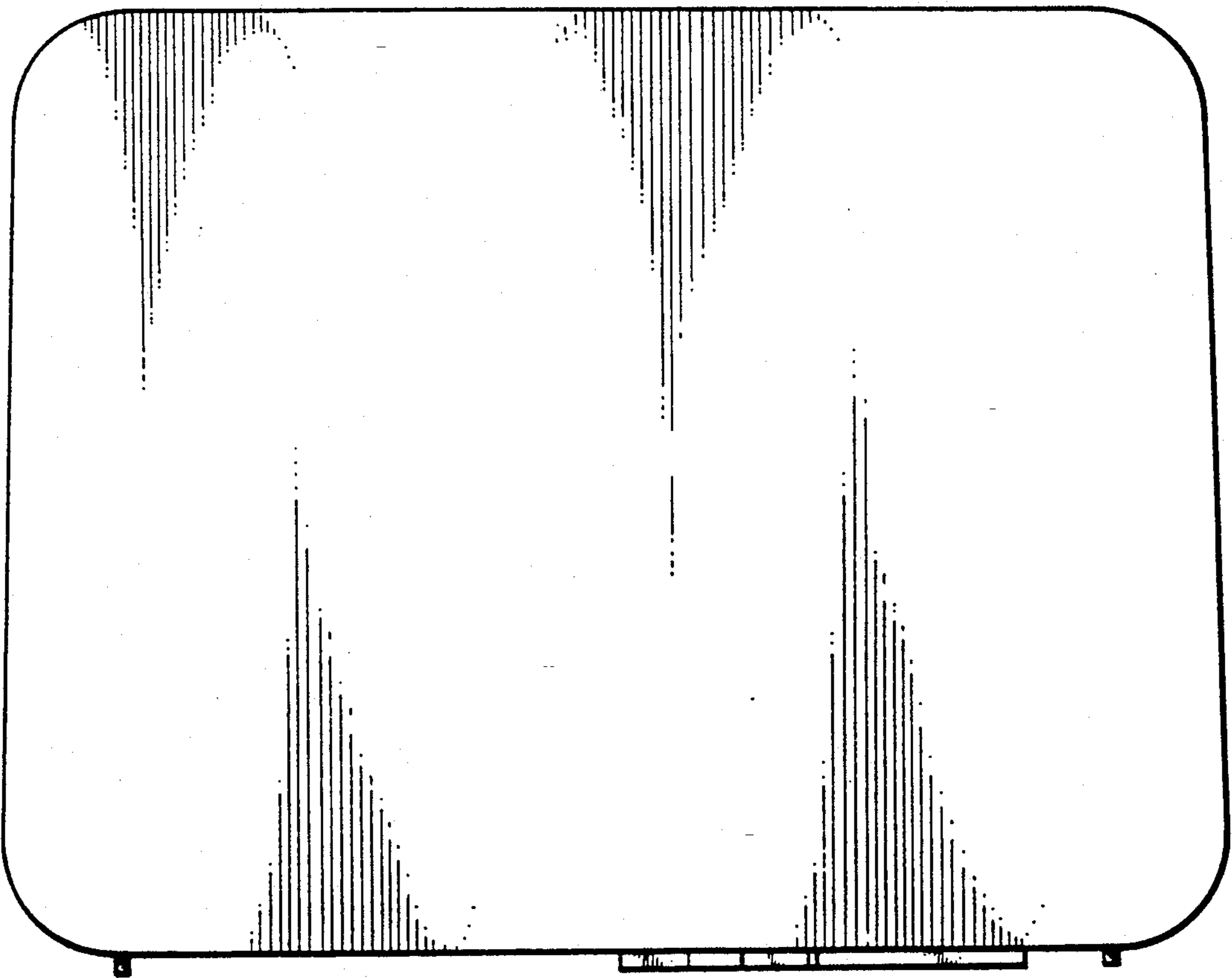


FIG. 4



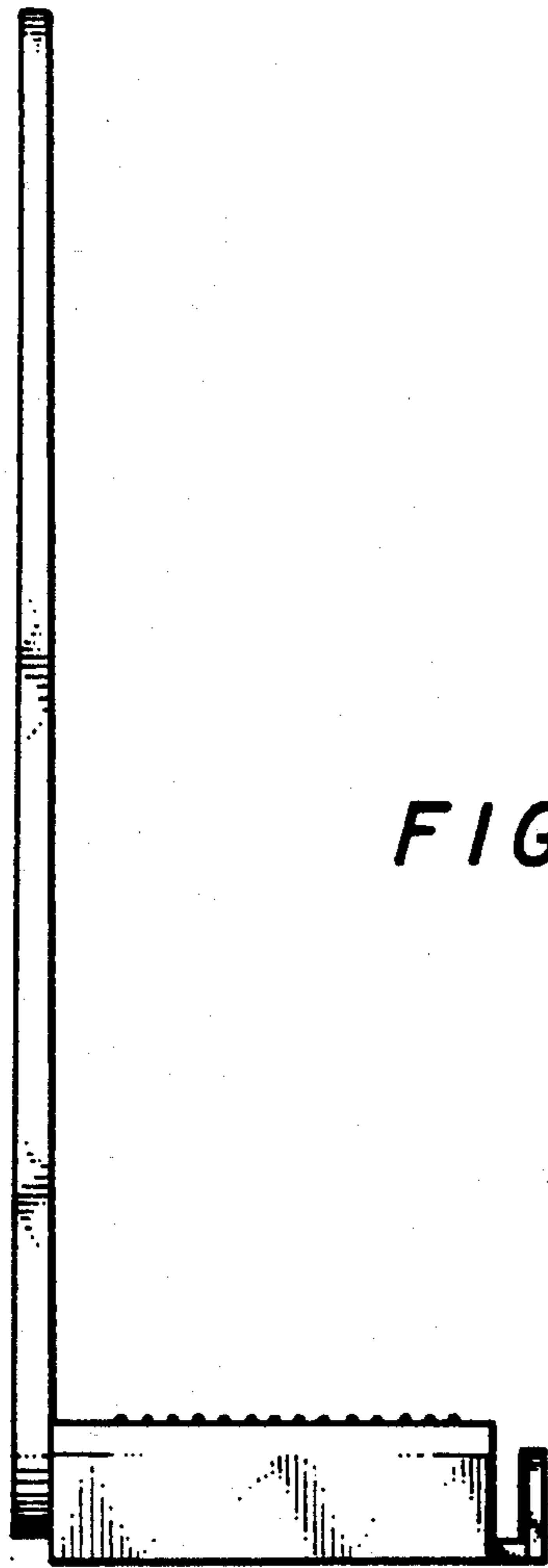


FIG. 5

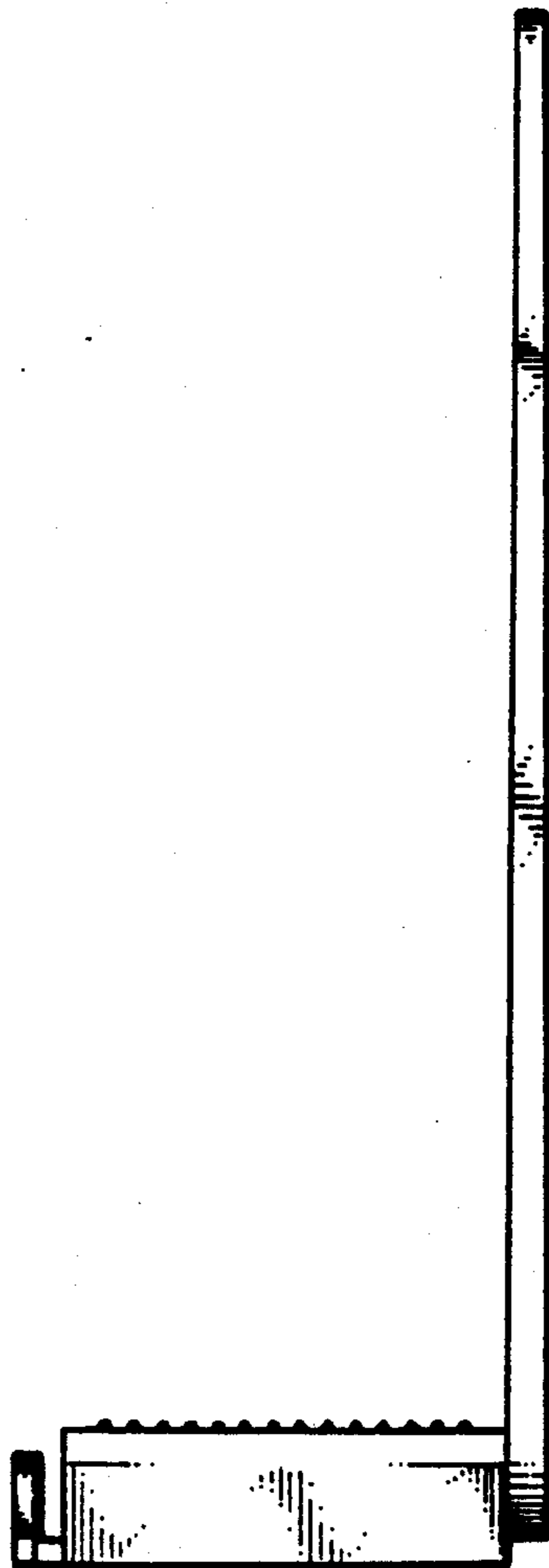


FIG. 6

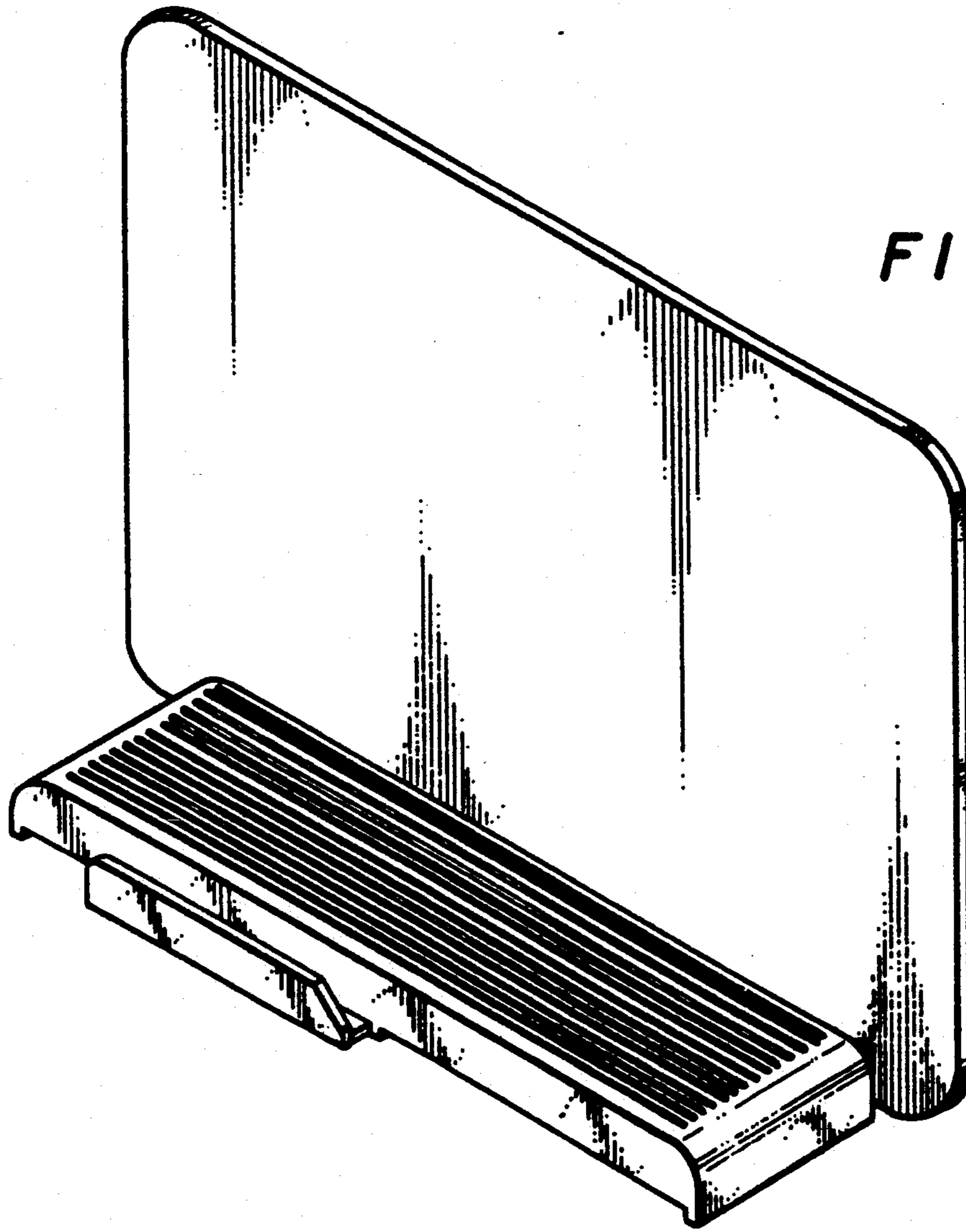


FIG. 7