



US00D337618S

United States Patent [19]

Chan

[11] Patent Number: **Des. 337,618**

[45] Date of Patent: **** Jul. 20, 1993**

[54] **EXTENSION TRAY**

[75] Inventor: **Eric P. Chan, New York, N.Y.**

[73] Assignee: **American Trading & Production Corporation, Baltimore, Md.**

[**] Term: **14 Years**

[21] Appl. No.: **814,919**

[22] Filed: **Dec. 26, 1991**

[52] U.S. Cl. **D19/92; D6/511**

[58] Field of Search **D6/491, 509-511, D6/512, 475, 466, 574, 429; D19/86, 92; 248/281.1; 211/88, 90, 126, 134, 135, 153; 108/137, 138, 139, 47, 49; D7/698**

[56] **References Cited**

U.S. PATENT DOCUMENTS

- D. 207,041 2/1967 Goldstein D6/511
- D. 252,000 6/1979 Smith, III D6/574
- D. 269,144 5/1983 Marle D6/555

- D. 288,160 2/1987 Maroney et al. D6/511
- D. 327,497 6/1992 Srablak et al. D19/92 X
- 4,589,150 5/1986 Sclabarassi D7/698 X

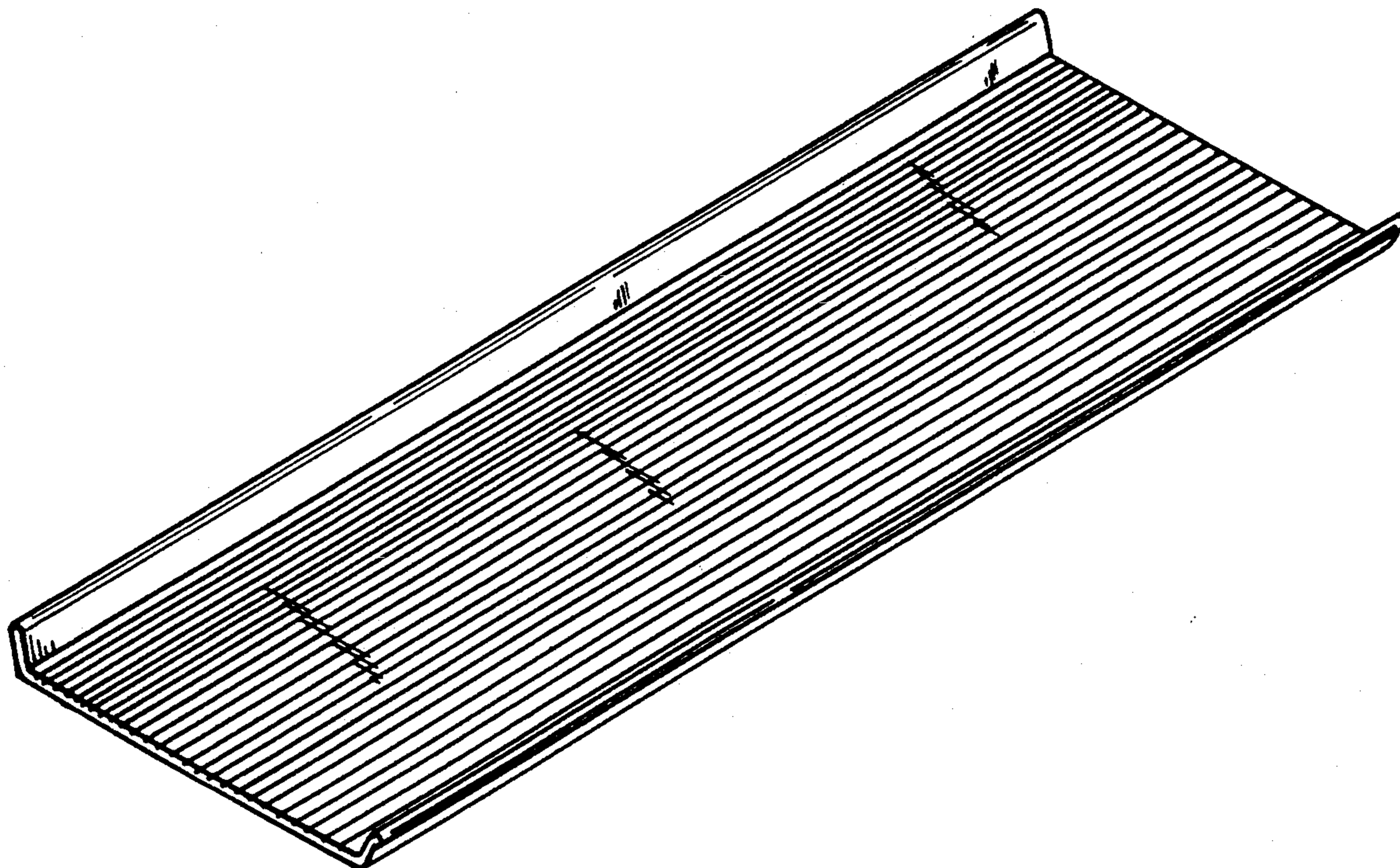
Primary Examiner—Nelson C. Holtje
Assistant Examiner—J. E. Seeger
Attorney, Agent, or Firm—Cohn, Powell & Hind

[57] **CLAIM**

The ornamental design for an extension tray, as shown and described.

DESCRIPTION

FIG. 1 is an upper, front perspective view of an extension tray showing my new design;
FIG. 2 is a lower, rear perspective view thereof;
FIG. 3 is a top plan view thereof;
FIG. 4 is a front elevational view thereof;
FIG. 5 is a rear elevational view thereof;
FIG. 6 is a right side elevational view thereof;
FIG. 7 is a left side elevational view thereof, and,
FIG. 8 is a bottom plan view thereof.



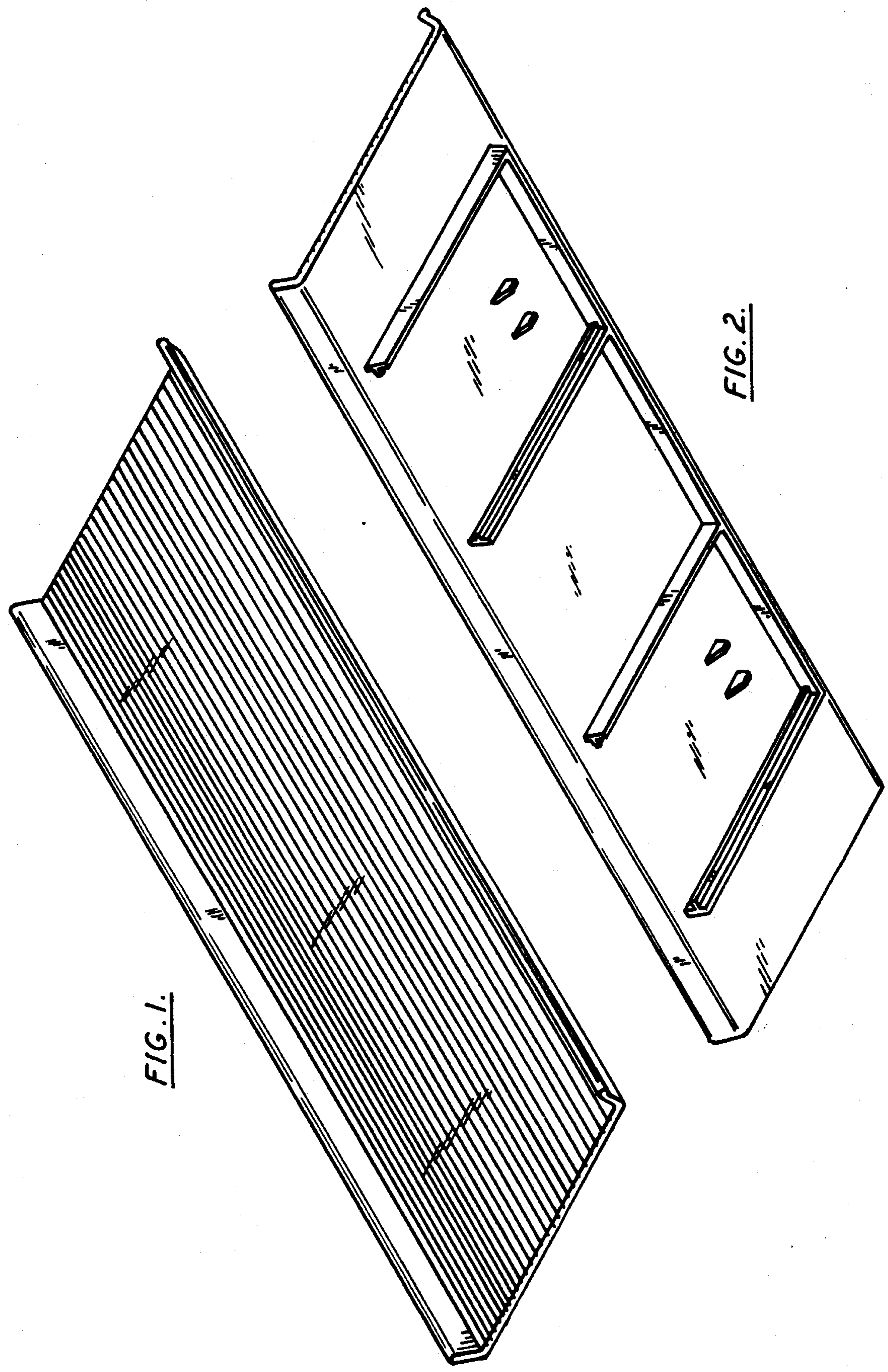


FIG. 1.

FIG. 2.

FIG. 3.

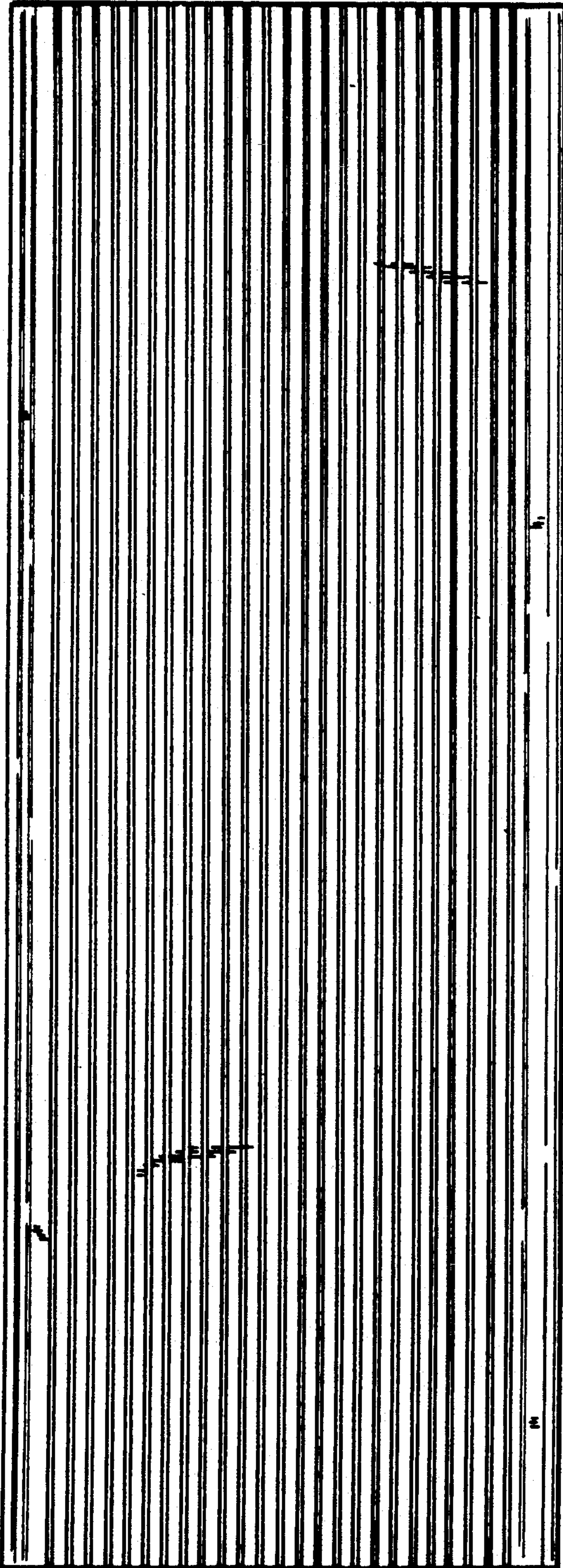
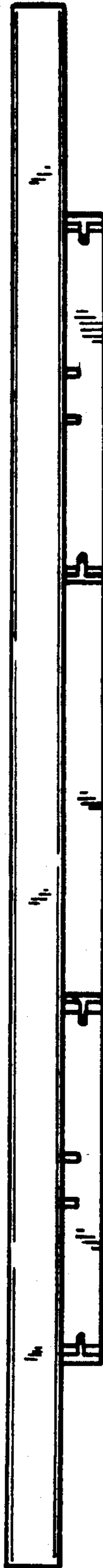


FIG. 4.



FIG. 5.



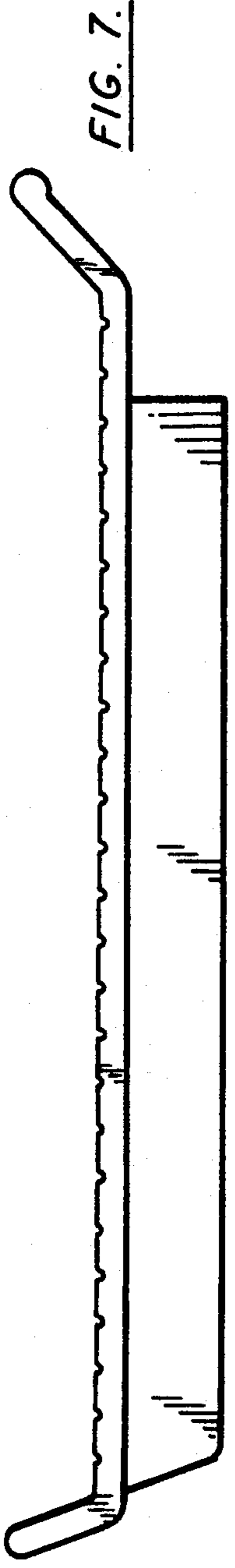
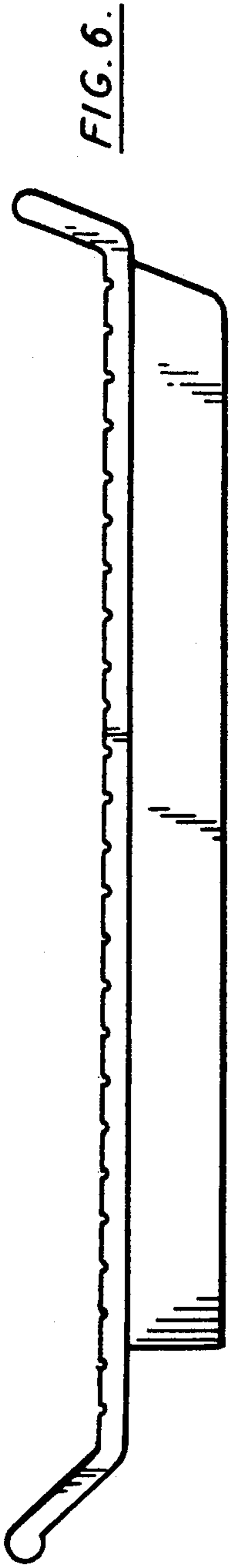


FIG. 8.

