



US00D337612S

United States Patent [19]

[11] Patent Number: **Des. 337,612**

Carella

[45] Date of Patent: **** Jul. 20, 1993**

[54] **TAPE DISPENSER**

[75] Inventor: **Nicoletta Carella, Recanati, Italy**

[73] Assignee: **Fratelli Guzzini S.p.A., Recanati, Italy**

[**] Term: **14 Years**

[21] Appl. No.: **837,496**

[22] Filed: **Feb. 18, 1992**

[30] **Foreign Application Priority Data**

Aug. 27, 1991 [IT] Italy MI910000623

[52] U.S. Cl. **D19/69; D19/67; D19/95**

[58] Field of Search **D19/65, 67, 68, 69, D19/99, 95, 100; 225/6, 12, 19, 34, 45, 56, 77, 78, 89; 156/323, 327**

[56] **References Cited**

U.S. PATENT DOCUMENTS

D. 201,766 7/1965 Perkins D19/67
D. 242,452 11/1976 Brown, Sr. D19/69

D. 245,914 9/1977 Fritzing D19/69
D. 275,966 10/1984 Worrell D19/69
D. 290,266 6/1987 Zucker D19/69
2,305,592 12/1942 Anderson 225/12

Primary Examiner—Nelson C. Holtje
Assistant Examiner—Martha Thompson
Attorney, Agent, or Firm—Hedman, Gibson & Costigan

[57] **CLAIM**

The ornamental design for a tape dispenser, as shown and described.

DESCRIPTION

FIG. 1 is a top, left front perspective view of a tape dispenser showing my new design;
FIG. 2 is a top, right rear perspective view thereof;
FIG. 3 is a bottom plan view thereof;
FIG. 4 is a side elevation view thereof;
FIG. 5 is a top plan view thereof;
FIG. 6 is a rear elevation view thereof;
FIG. 7 is a front elevation view thereof; and,
FIG. 8 is a cross sectional view thereof, taken in the direction of arrows VIII—VIII in FIG. 5.

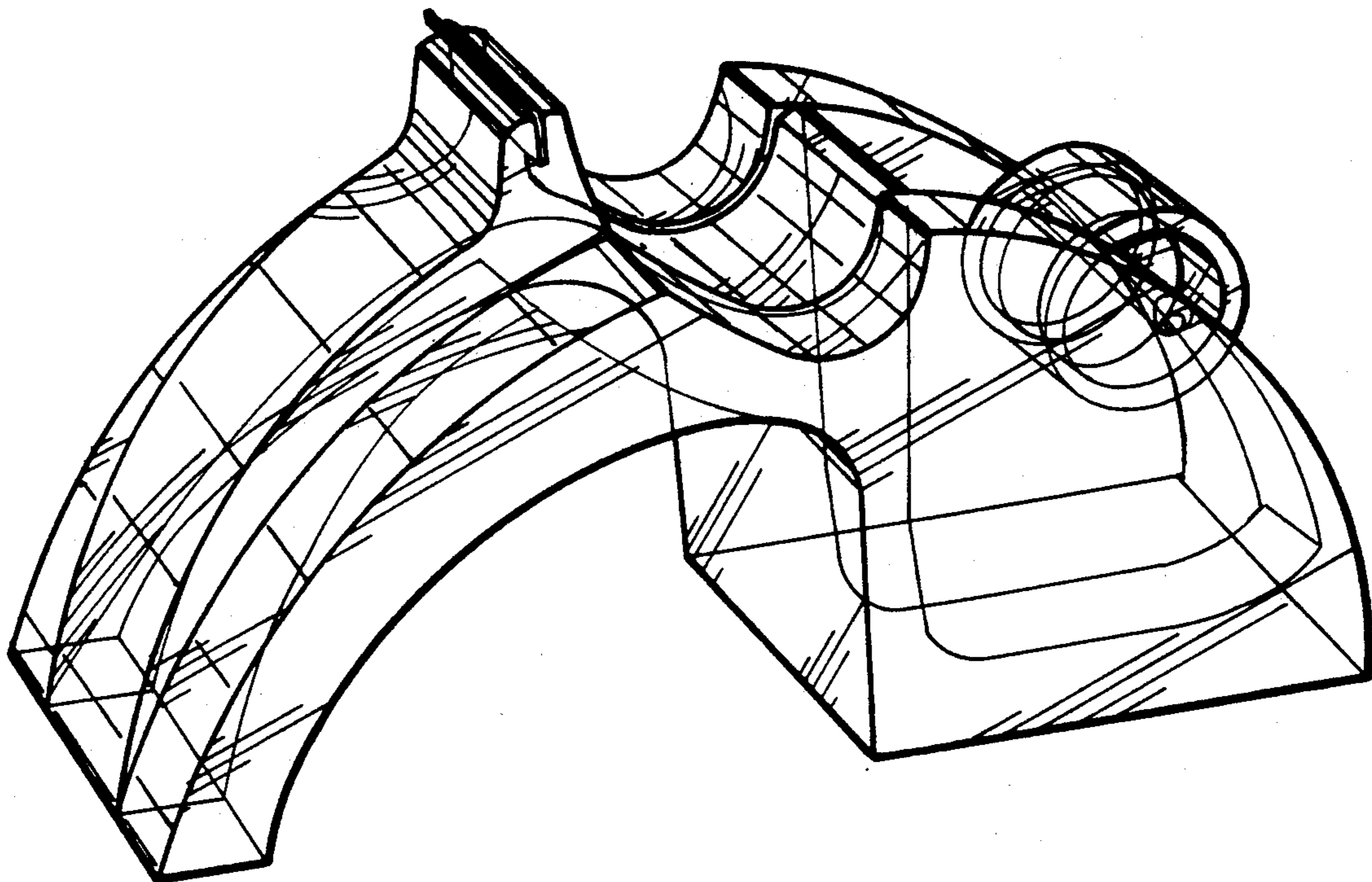


Fig.1

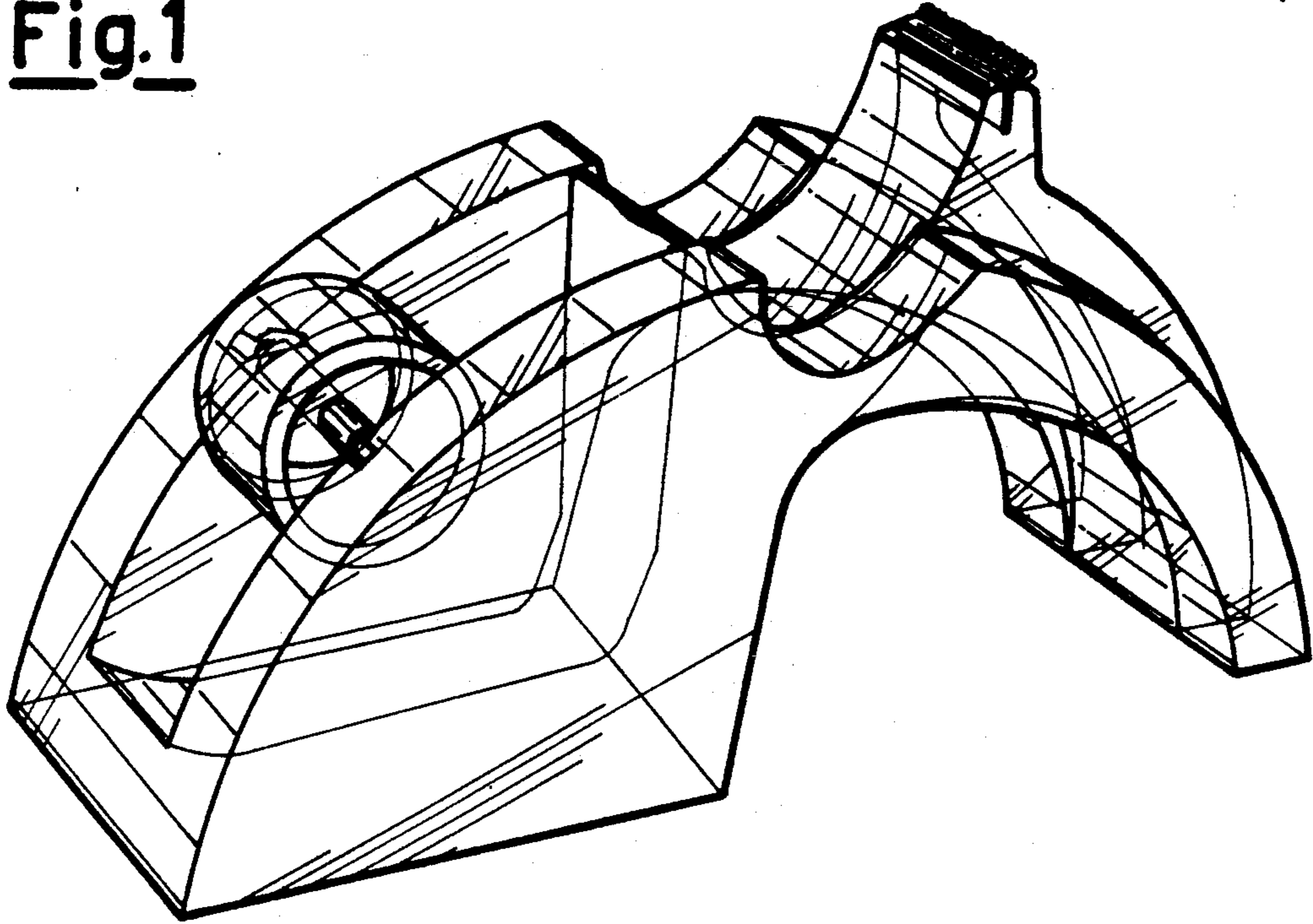


Fig.2

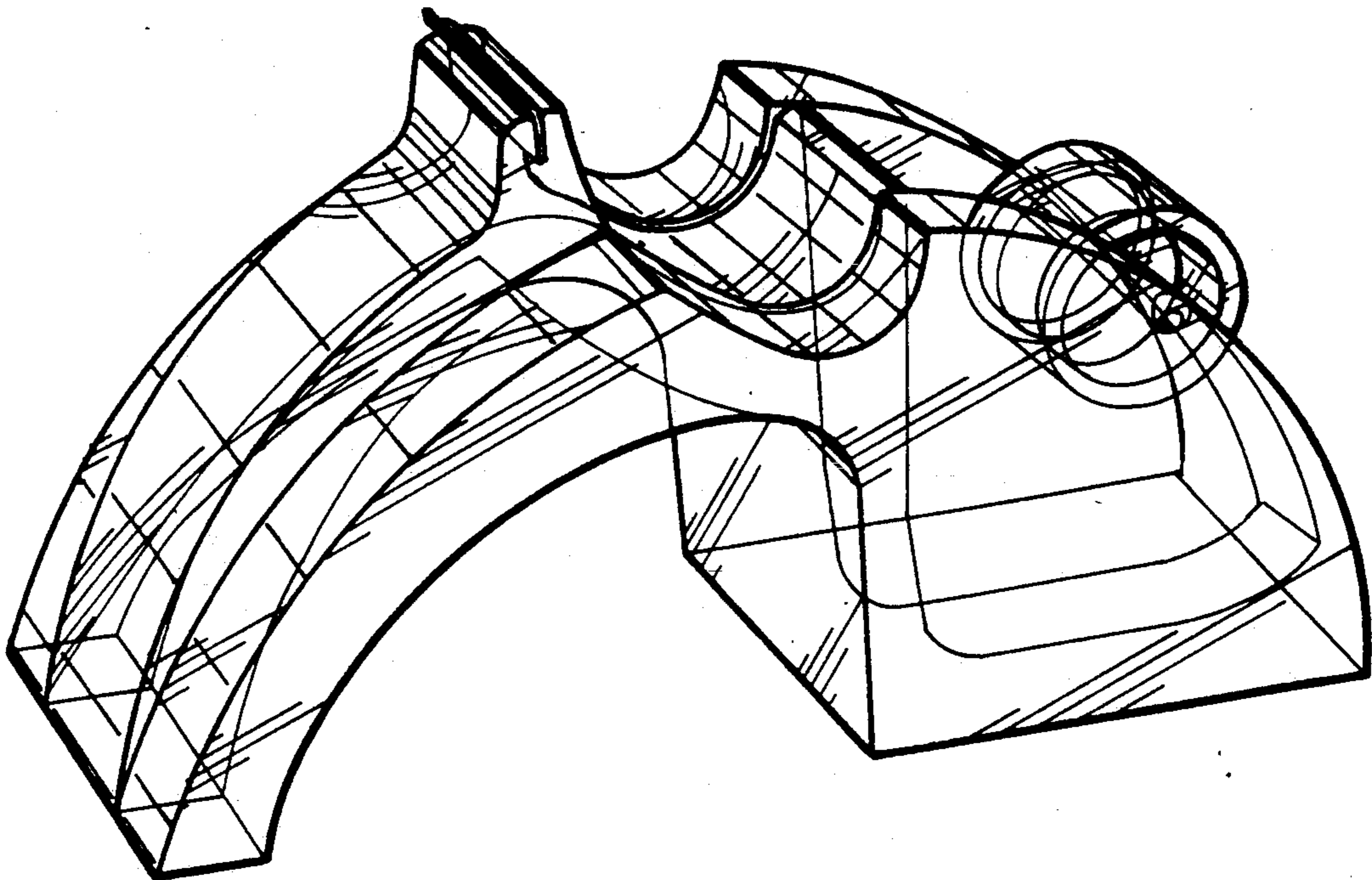


Fig.3

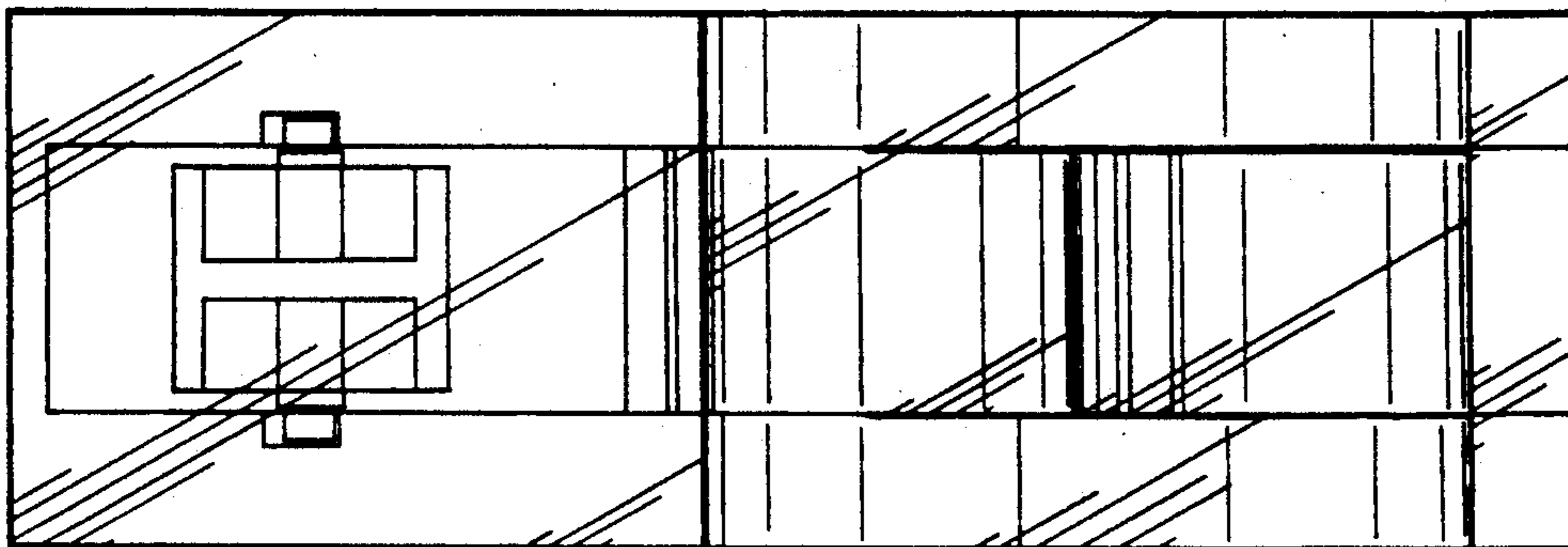


Fig.4

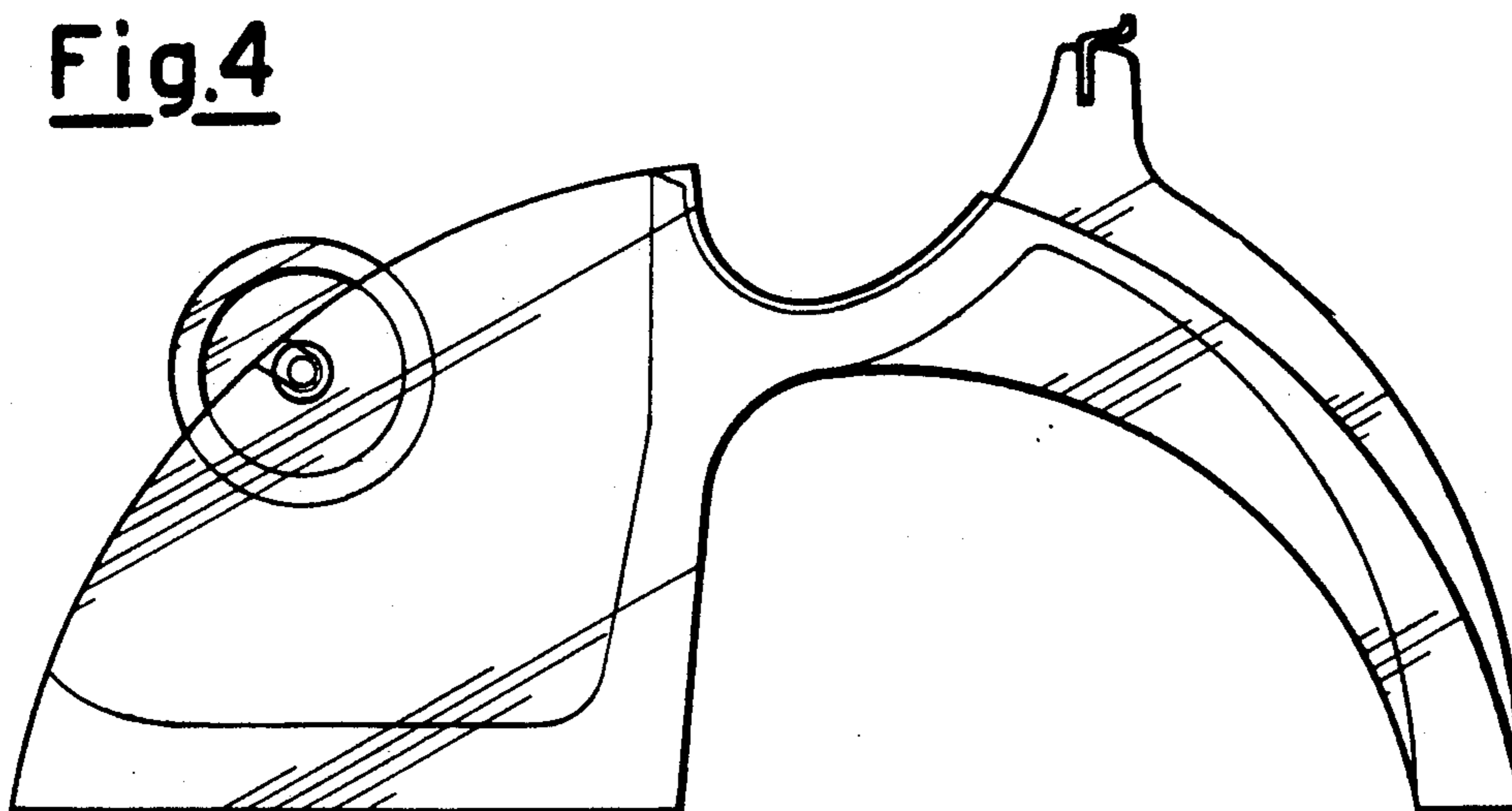


Fig.5

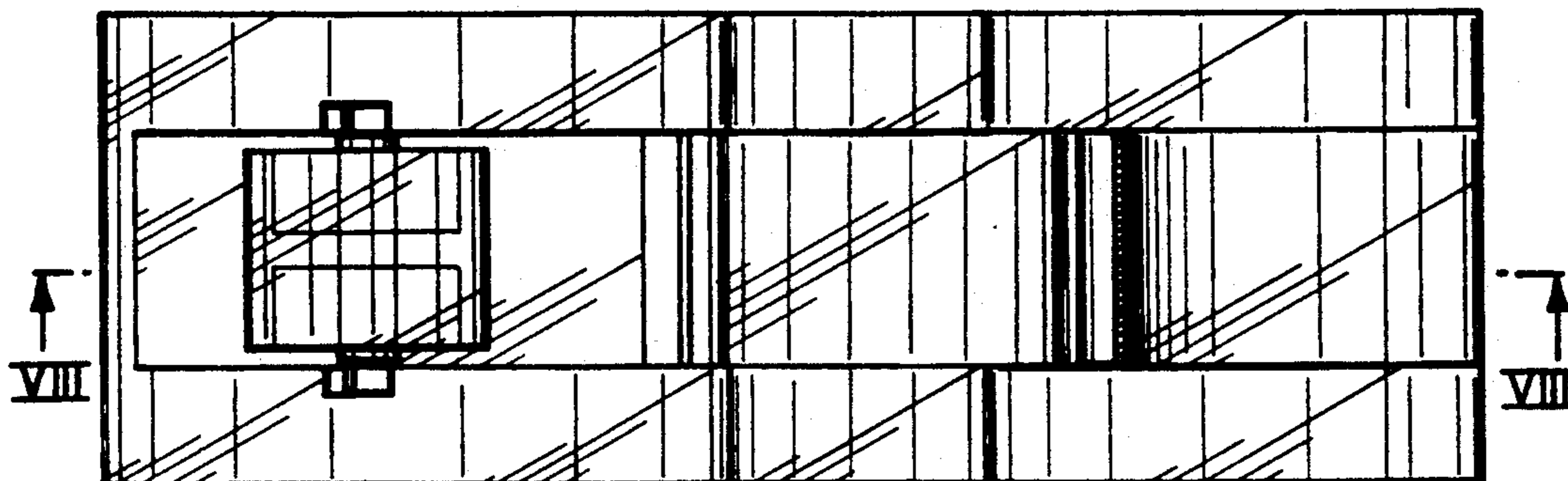


Fig. 6

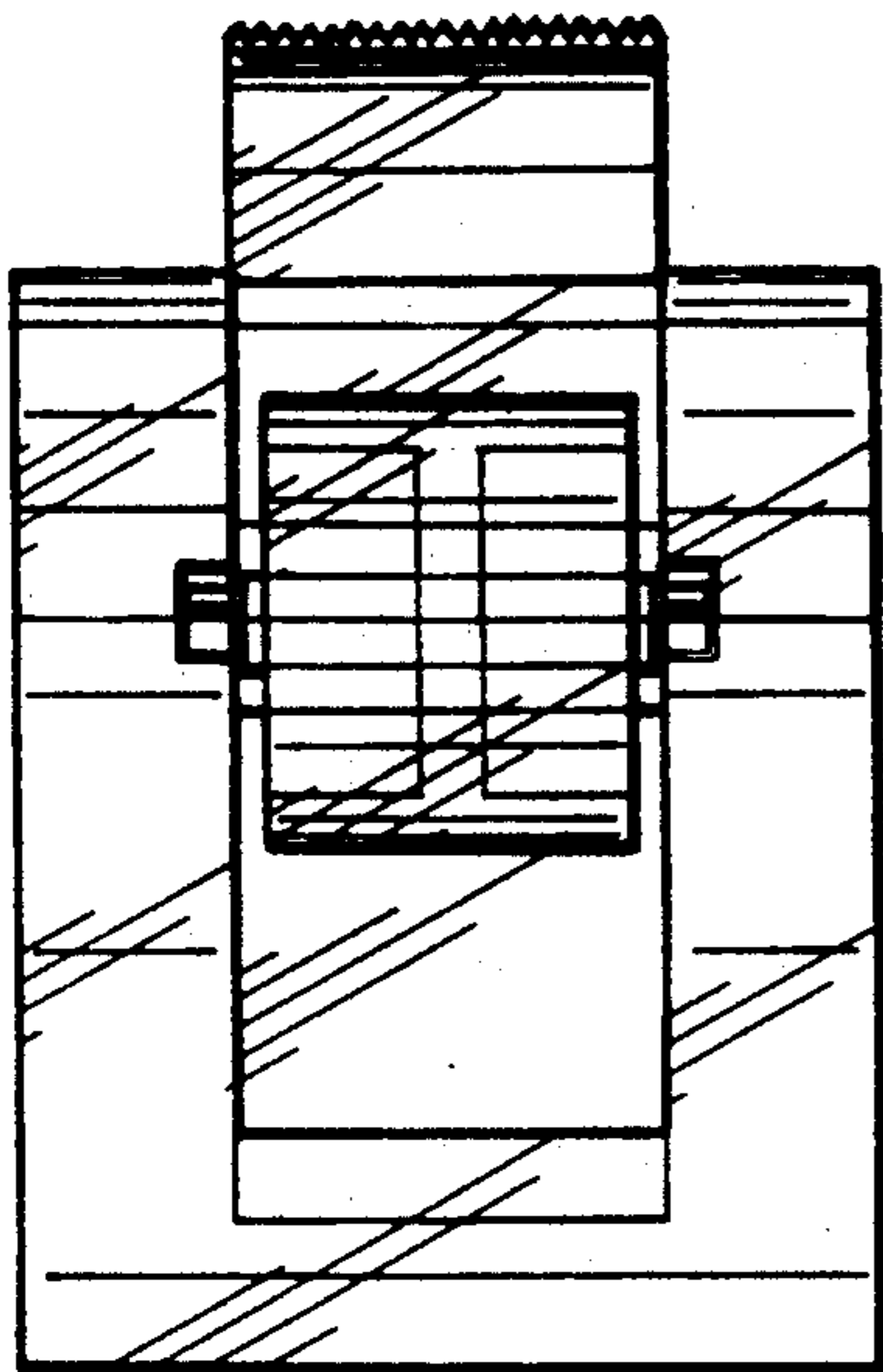


Fig. 7

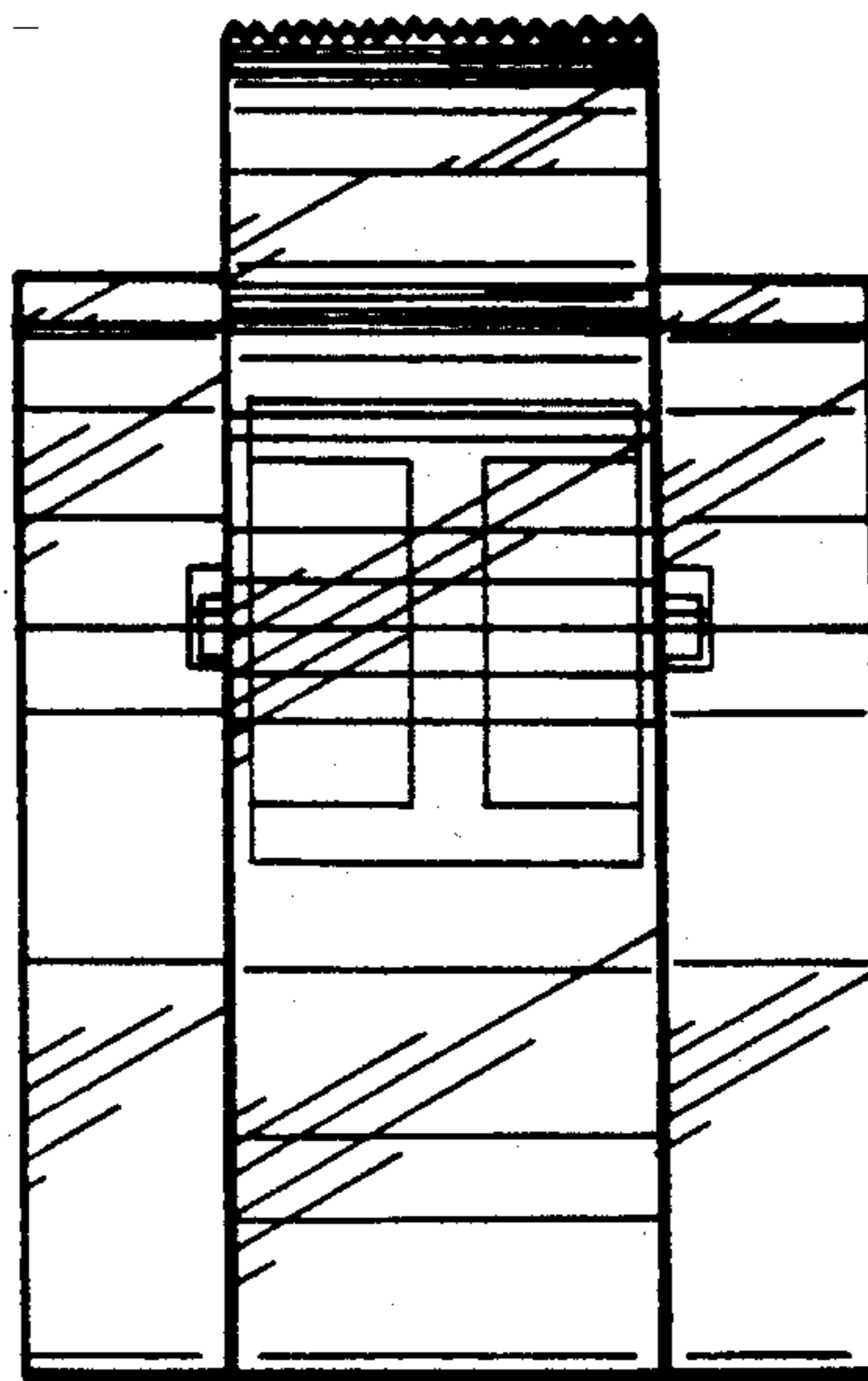


Fig. 8

