



US00D337609S

United States Patent [19]

[11] Patent Number: **Des. 337,609**

Fukuda

[45] Date of Patent: **** Jul. 20, 1993**

[54] **PRINTER WITH PAPER CASSETTE**

D. 330,043 10/1992 Reese D18/55

[75] Inventor: **Kouki Fukuda, Nara, Japan**

FOREIGN PATENT DOCUMENTS

[73] Assignee: **Sharp Kabushiki Kaisha, Osaka, Japan**

065697 3/1990 Canada D18/55
694446 8/1961 Japan D18/55
753234 10/1963 Japan D18/55

[**] Term: **14 Years**

OTHER PUBLICATIONS

[21] Appl. No.: **718,833**

Sanyo SPX-716 printer Japanese advertisement; 1988-1989.

[22] Filed: **Jun. 21, 1991**

Genicom 5010 brochure; p. 5.

[30] **Foreign Application Priority Data**

Dec. 25, 1990 [JP] Japan 2-43110

[52] U.S. Cl. **D18/55; D18/48**

[58] Field of Search **D18/50, 54-55, D18/37; 400/613-613.4, 691-694, 120; 101/420; D14/118**

Primary Examiner—A. Hugo Word
Assistant Examiner—Cathy Anne MacCormac
Attorney, Agent, or Firm—Nixon & Vanderhye

[57] CLAIM

The ornamental design for a printer with paper cassette, as shown and described.

[56] **References Cited**

DESCRIPTION

U.S. PATENT DOCUMENTS

D. 281,256	11/1985	Yamamoto	D18/55
D. 291,095	7/1987	Morozumi et al.	D18/55
D. 293,247	12/1987	Nakade	D18/55
D. 313,613	1/1991	Nagaya	D18/55
D. 317,459	6/1991	Ono	D18/54
D. 319,653	9/1991	Reese	D18/54
D. 324,233	2/1992	Sawa et al.	D18/54
D. 325,598	4/1992	Fukuda	D18/55
D. 327,907	7/1992	Sawa	D18/54

FIG. 1 is a top, front and right side perspective view of a printer with paper cassette according to the present invention;

FIG. 2 is a right side elevational view thereof;

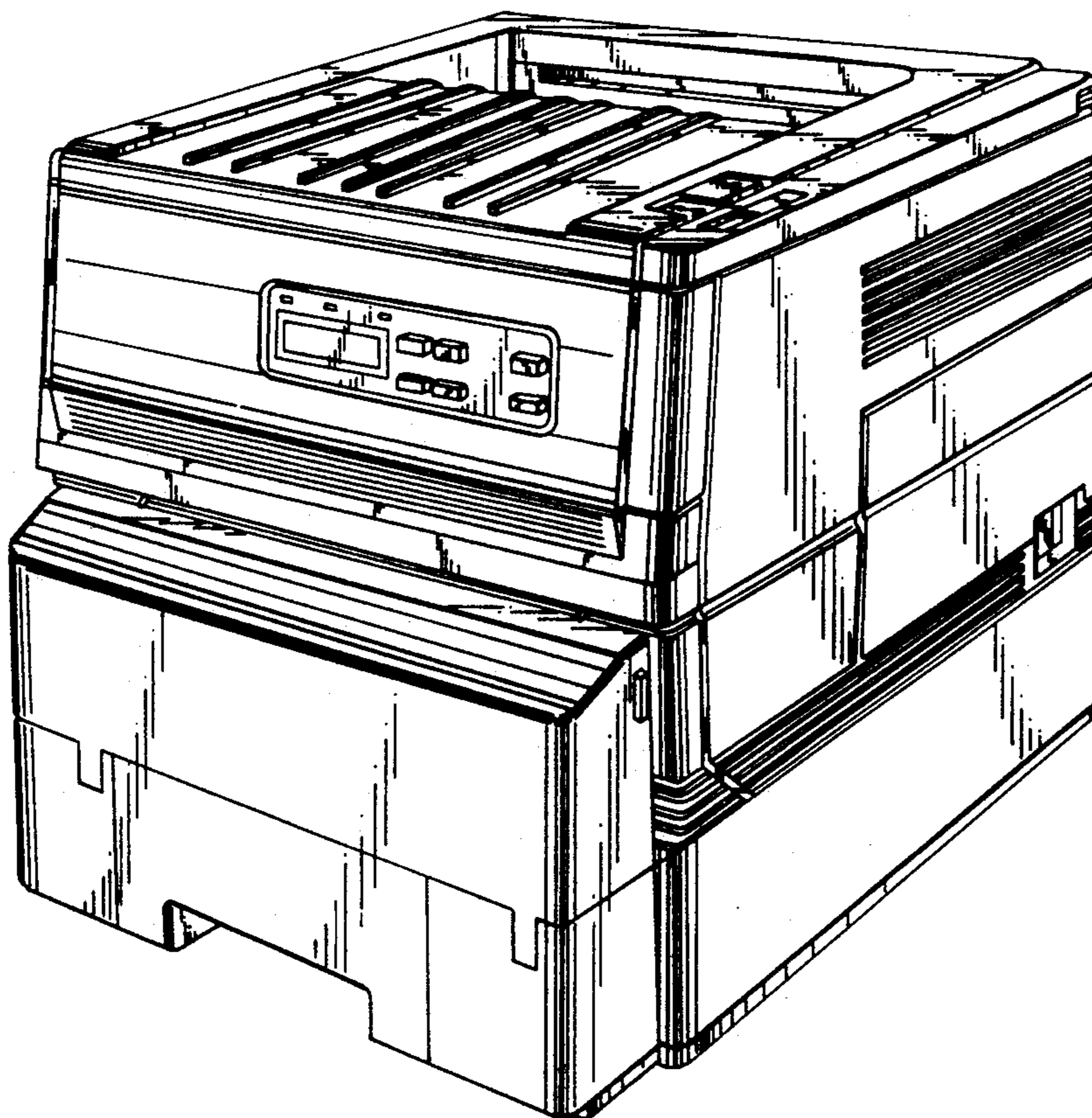
FIG. 3 is a front elevational view thereof;

FIG. 4 is a left side elevational view thereof;

FIG. 5 is a rear elevational view thereof;

FIG. 6 is a bottom plan view thereof; and,

FIG. 7 is a top plan view thereof.



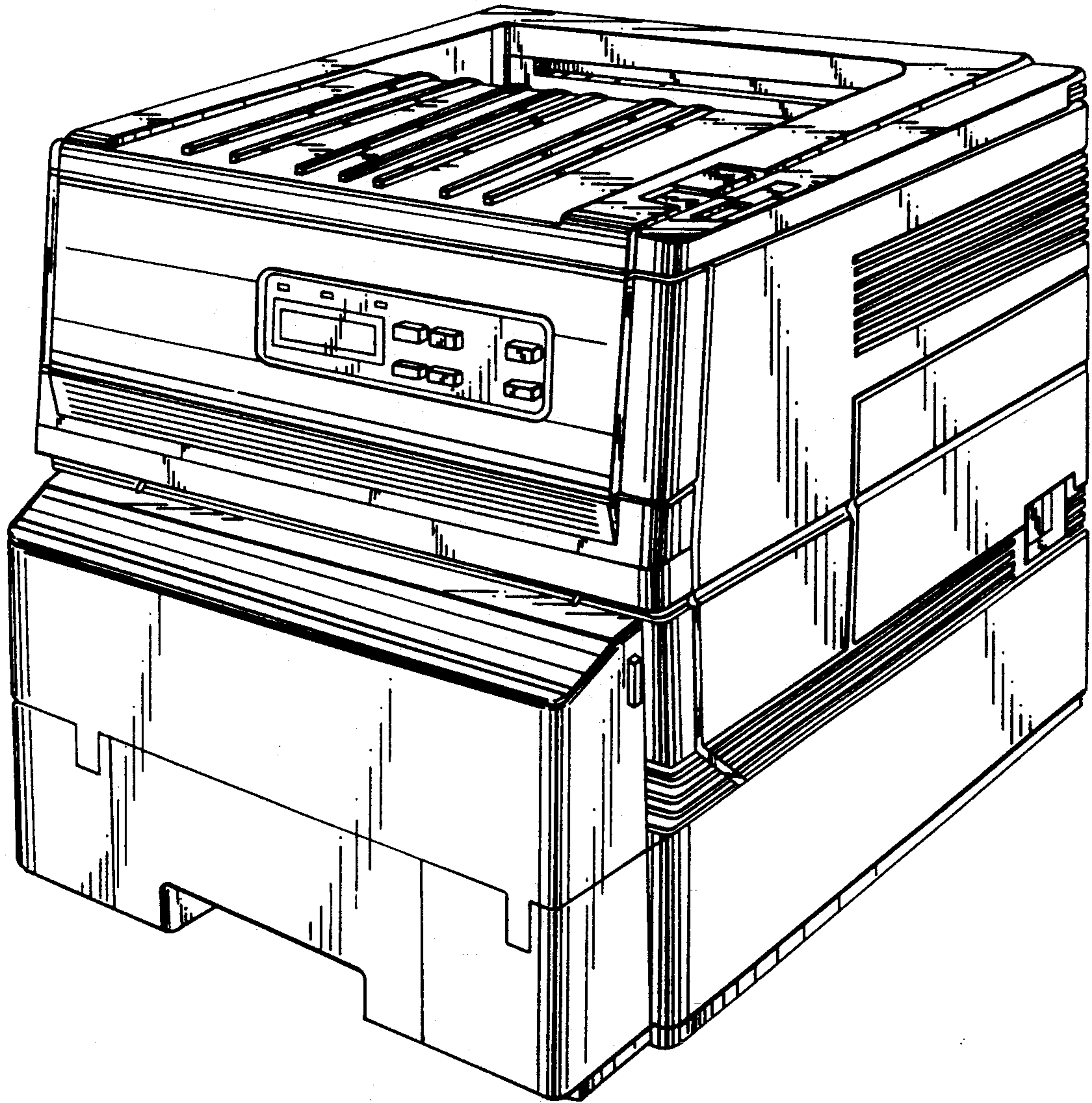


FIG. 1

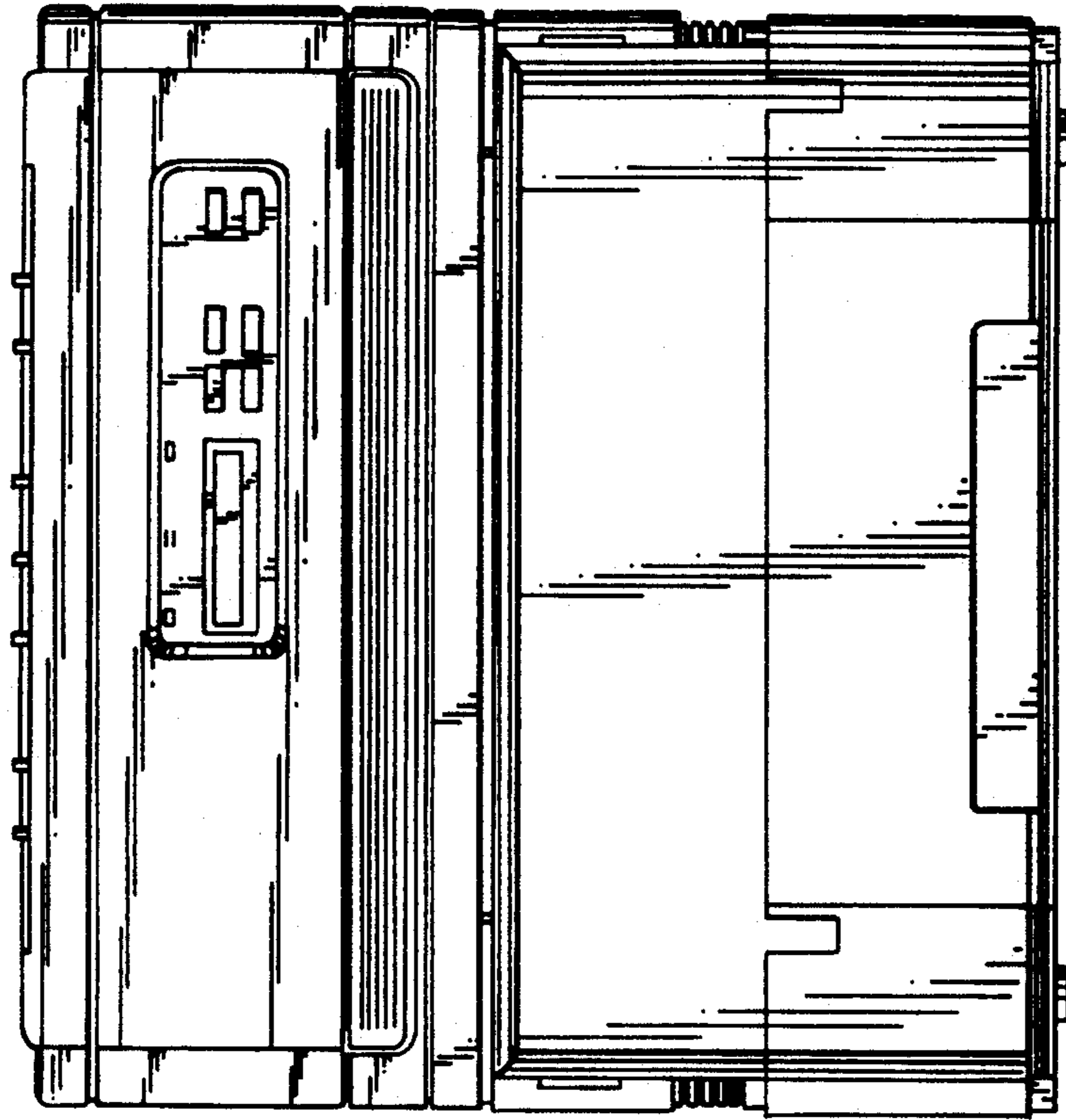


FIG. 2

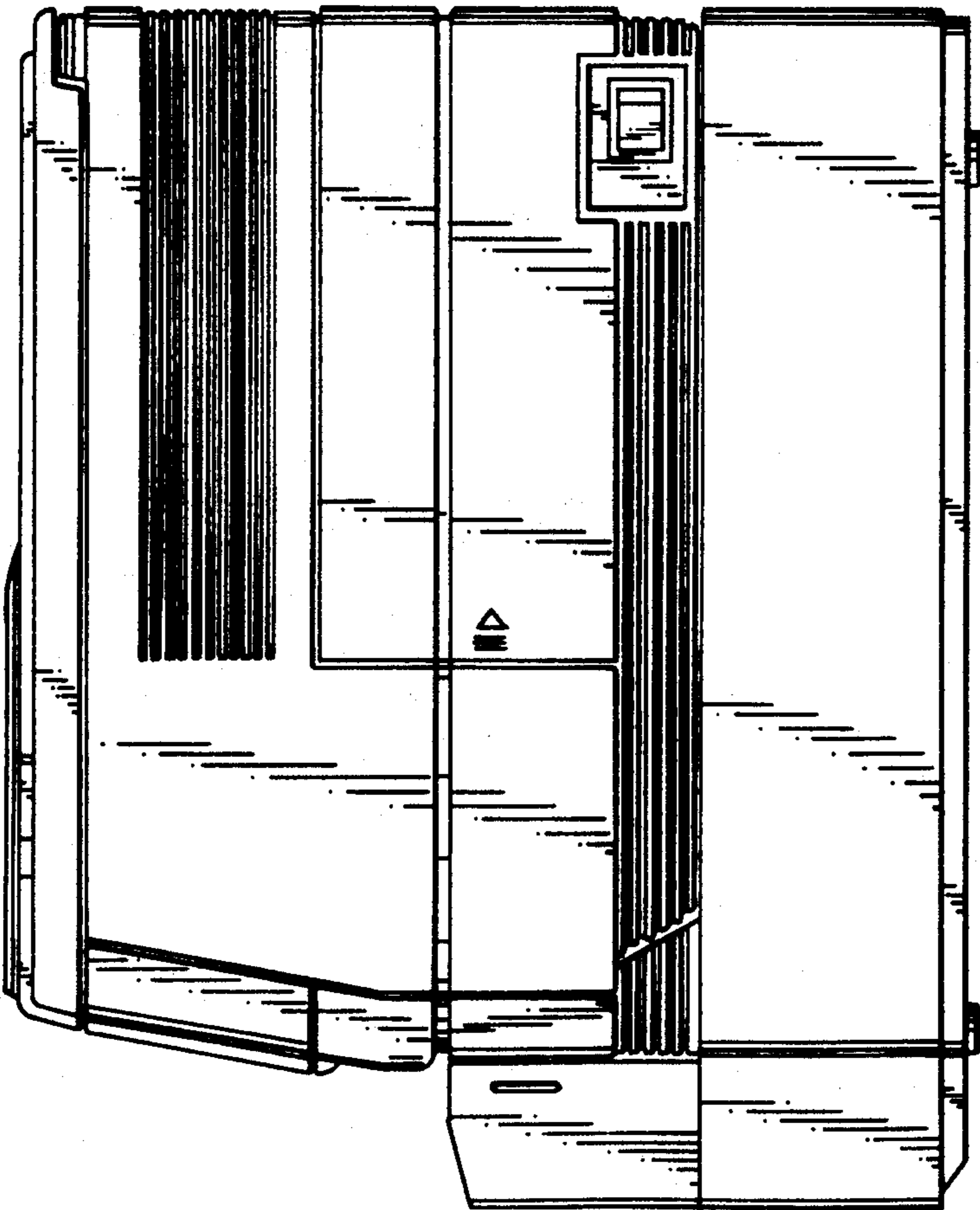


FIG. 3

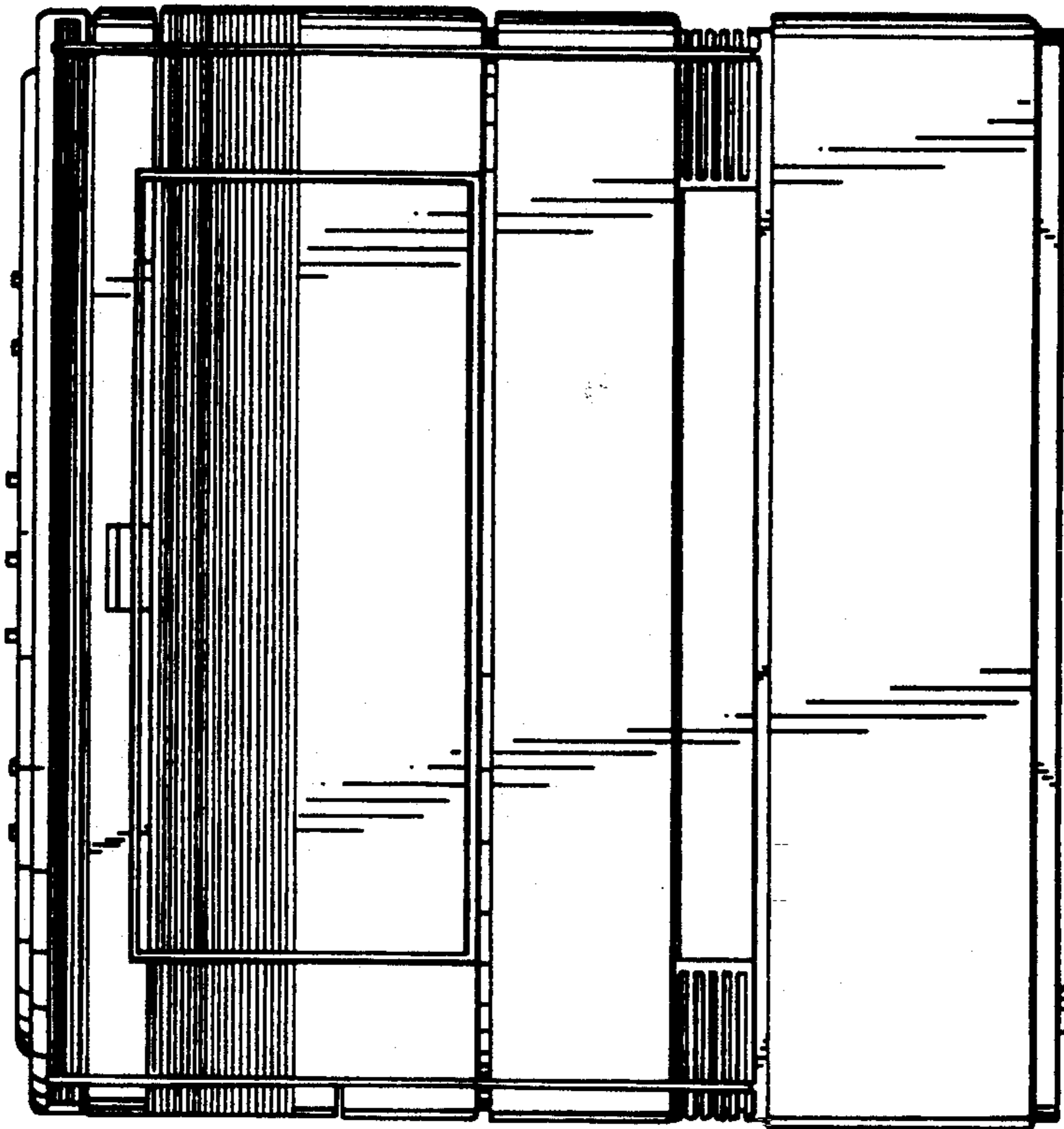


FIG. 5

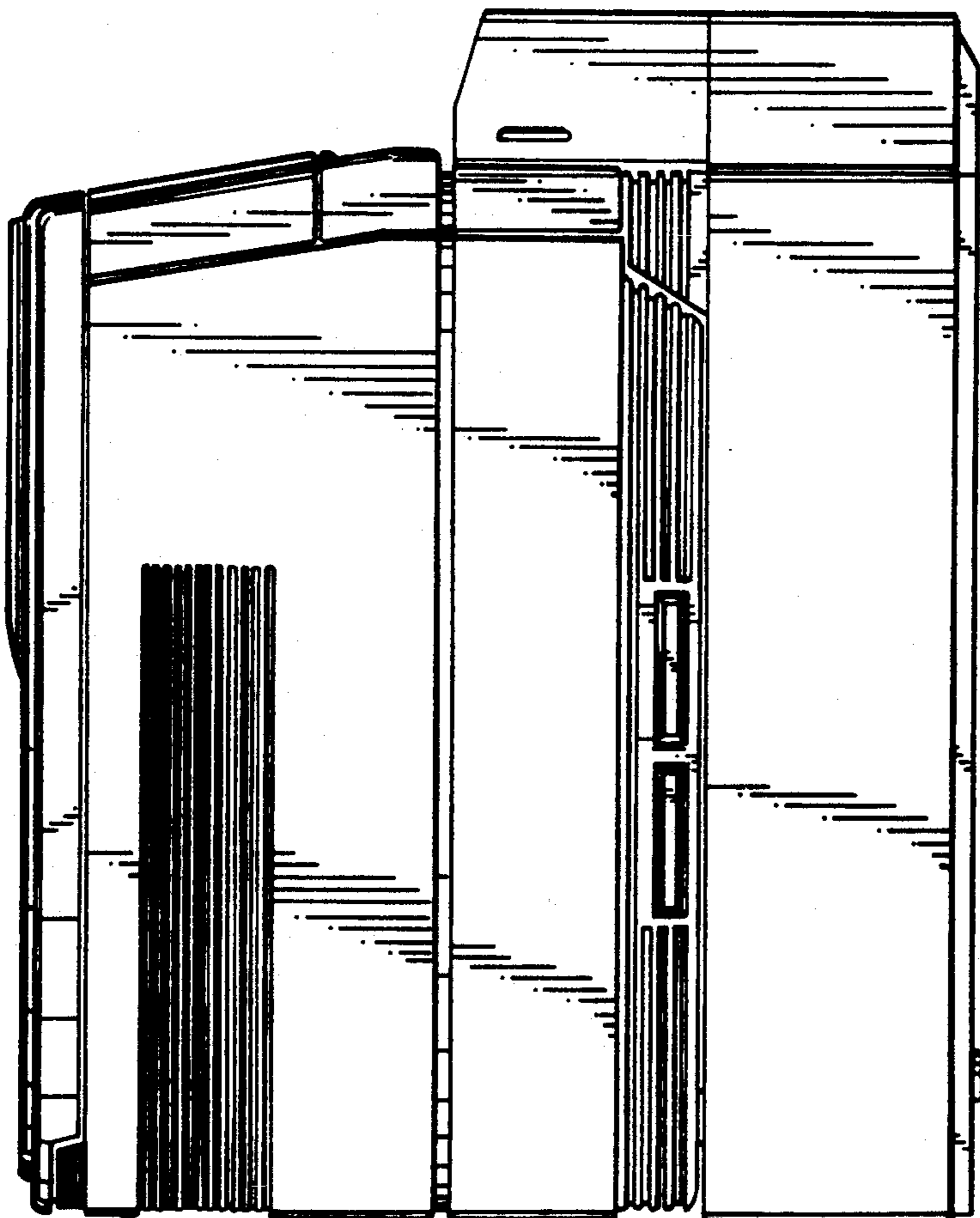


FIG. 4

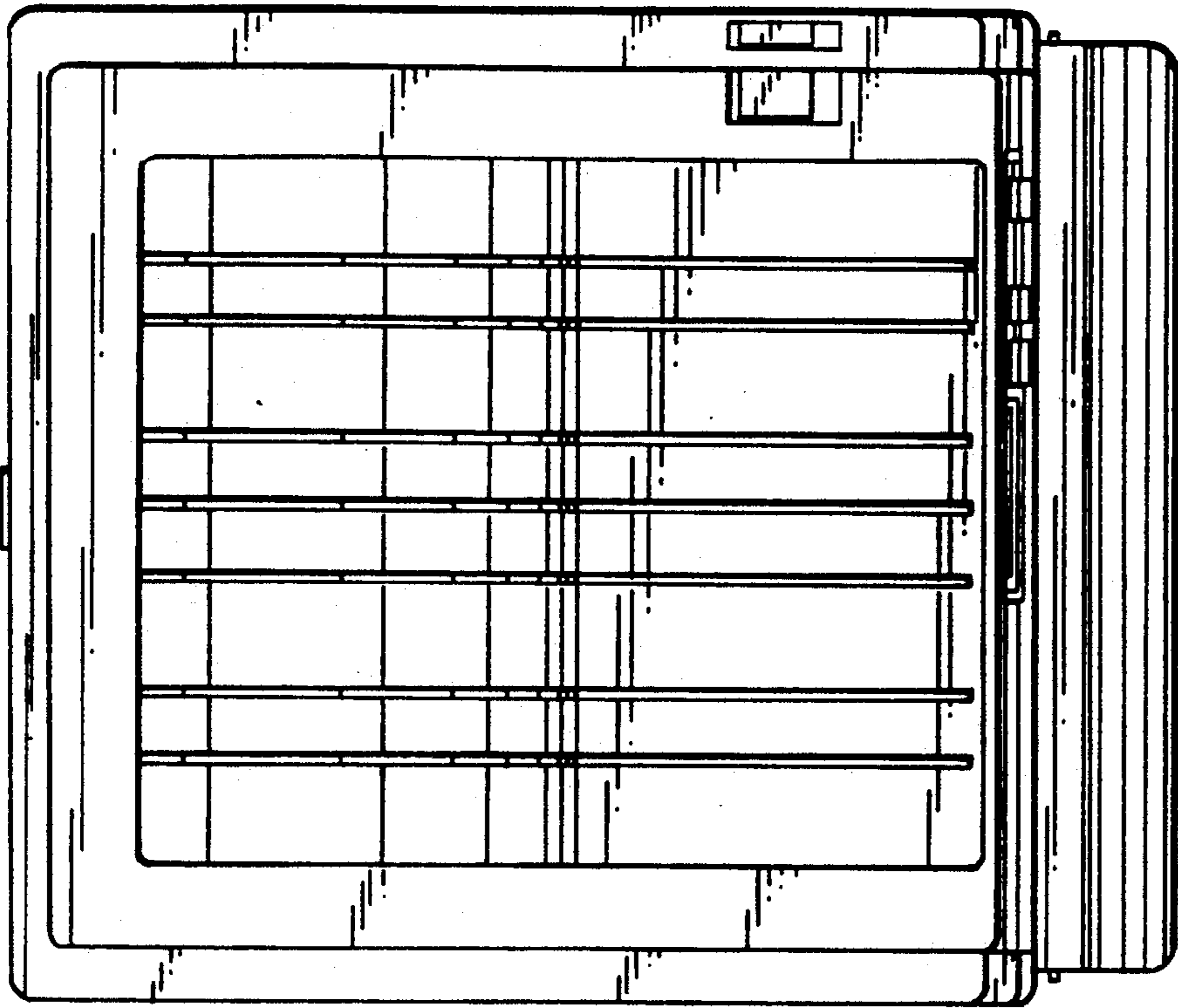


FIG. 7

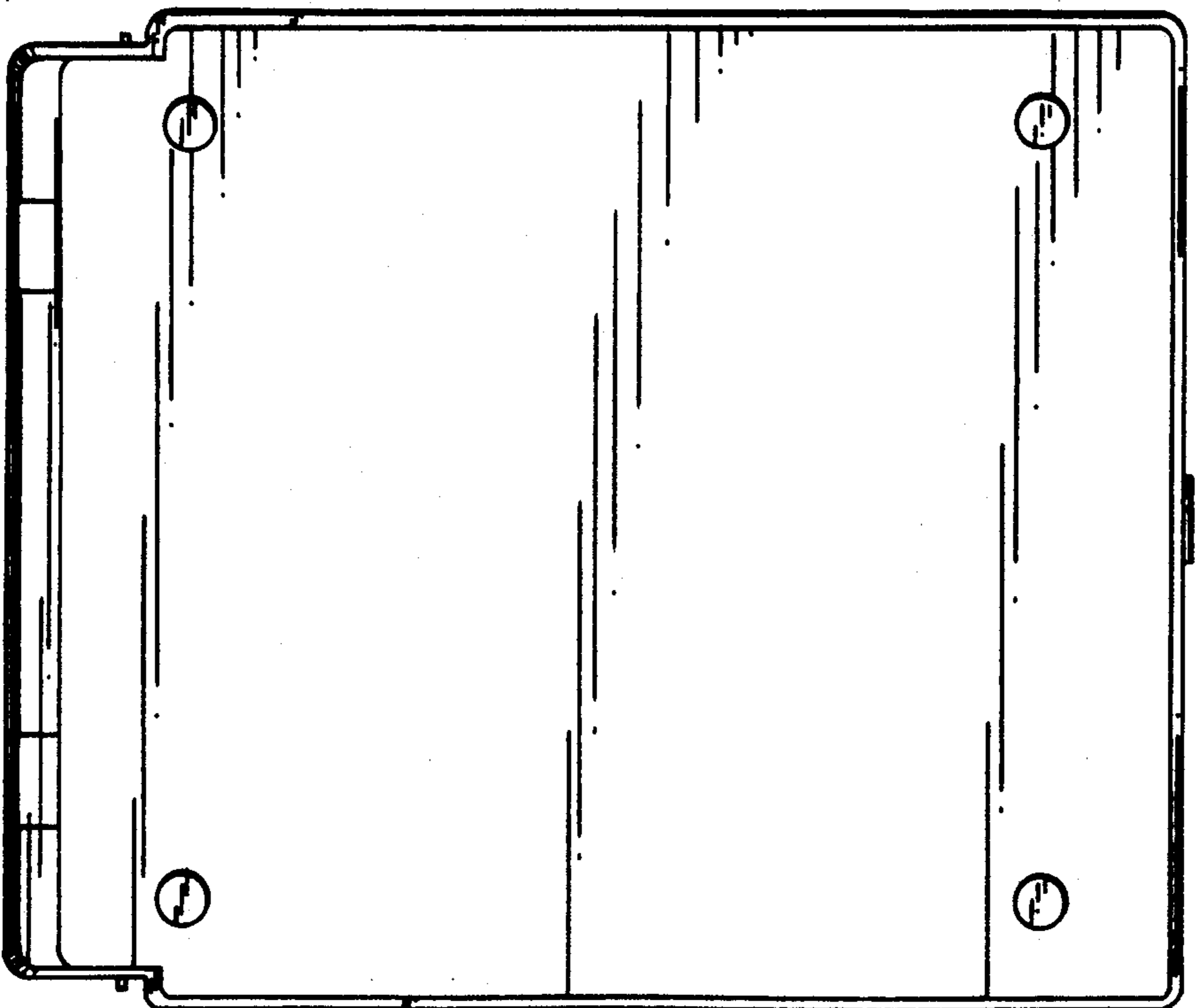


FIG. 6