



US00D337606S

# United States Patent [19]

[11] Patent Number: **Des. 337,606**

**Khovaylo**

[45] Date of Patent: **\*\* Jul. 20, 1993**

[54] **SCANNER SHEET FEEDER**

[75] Inventor: **Modest Khovaylo**, Fort Collins, Colo.

[73] Assignee: **Hewlett-Packard Company**, Palo Alto, Calif.

[\*\*] Term: **14 Years**

[21] Appl. No.: **885,218**

[22] Filed: **May 19, 1992**

[52] U.S. Cl. .... **D18/49**

[58] Field of Search ..... **D18/36-39, D18/46, 49; 271/3, 3.1, 8.1, 9, 10, 18; 355/200, 308, 309; 358/498; 400/624-629**

[56] **References Cited**

**U.S. PATENT DOCUMENTS**

D. 262,714 1/1982 Cathey et al. .... D18/49

D. 298,948 12/1988 Ishii et al. .... D18/49  
D. 329,456 9/1992 Kamezaki .... D18/49  
D. 426,924 12/1986 Watanabe .... 358/293

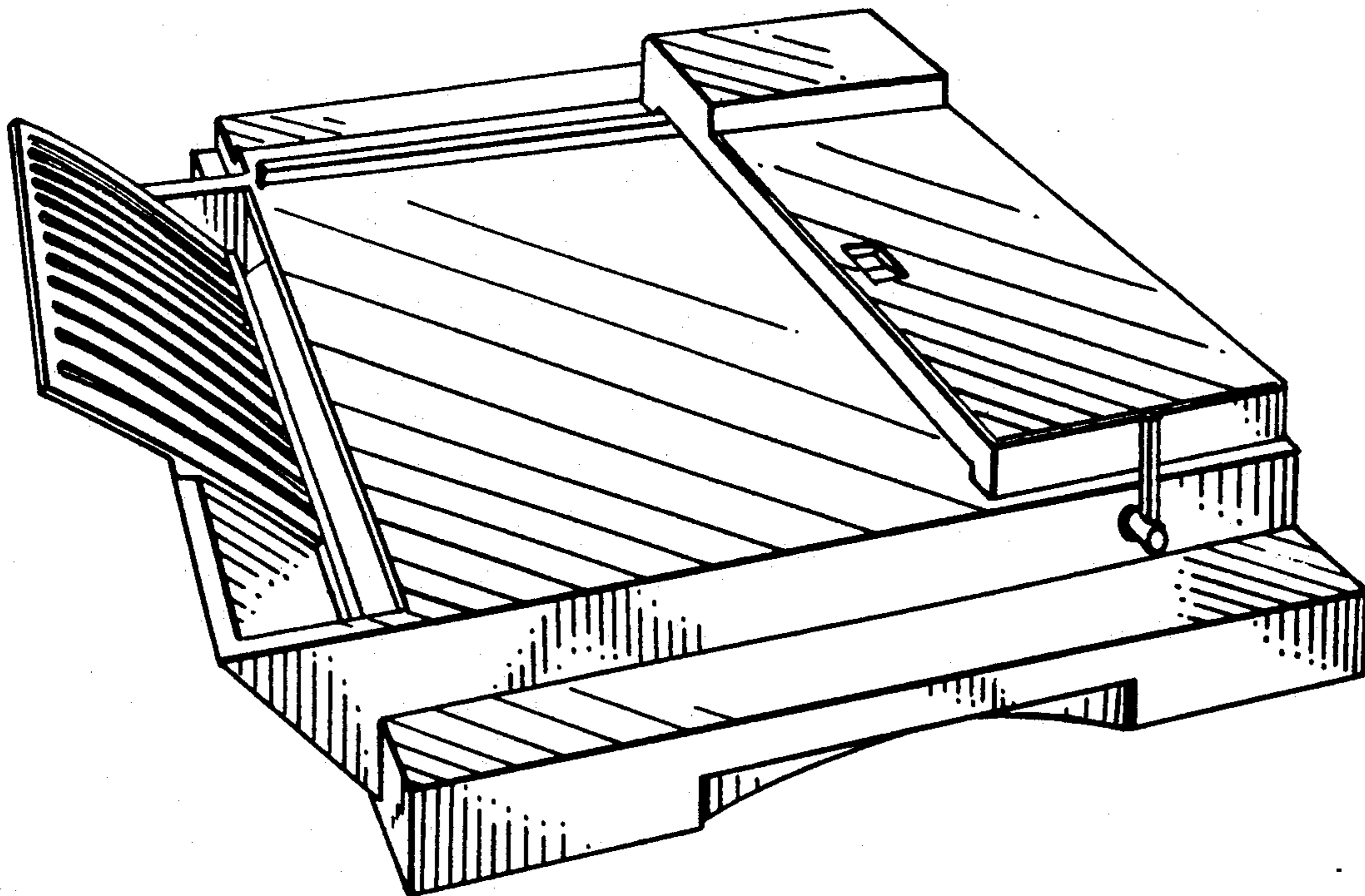
*Primary Examiner*—Alan P. Douglas  
*Assistant Examiner*—Ann Hunt

[57] **CLAIM**

The ornamental design for a scanner sheet feeder, as shown and described.

**DESCRIPTION**

FIG. 1 is a perspective view of a scanner sheet feeder showing my new design;  
FIG. 2 is a top plan view thereof;  
FIG. 3 is a rear elevational view thereof;  
FIG. 4 is a front elevational view thereof;  
FIG. 5 is a right elevational view thereof;  
FIG. 6 is a left elevational view thereof; and,  
FIG. 7 is a bottom plan view thereof.



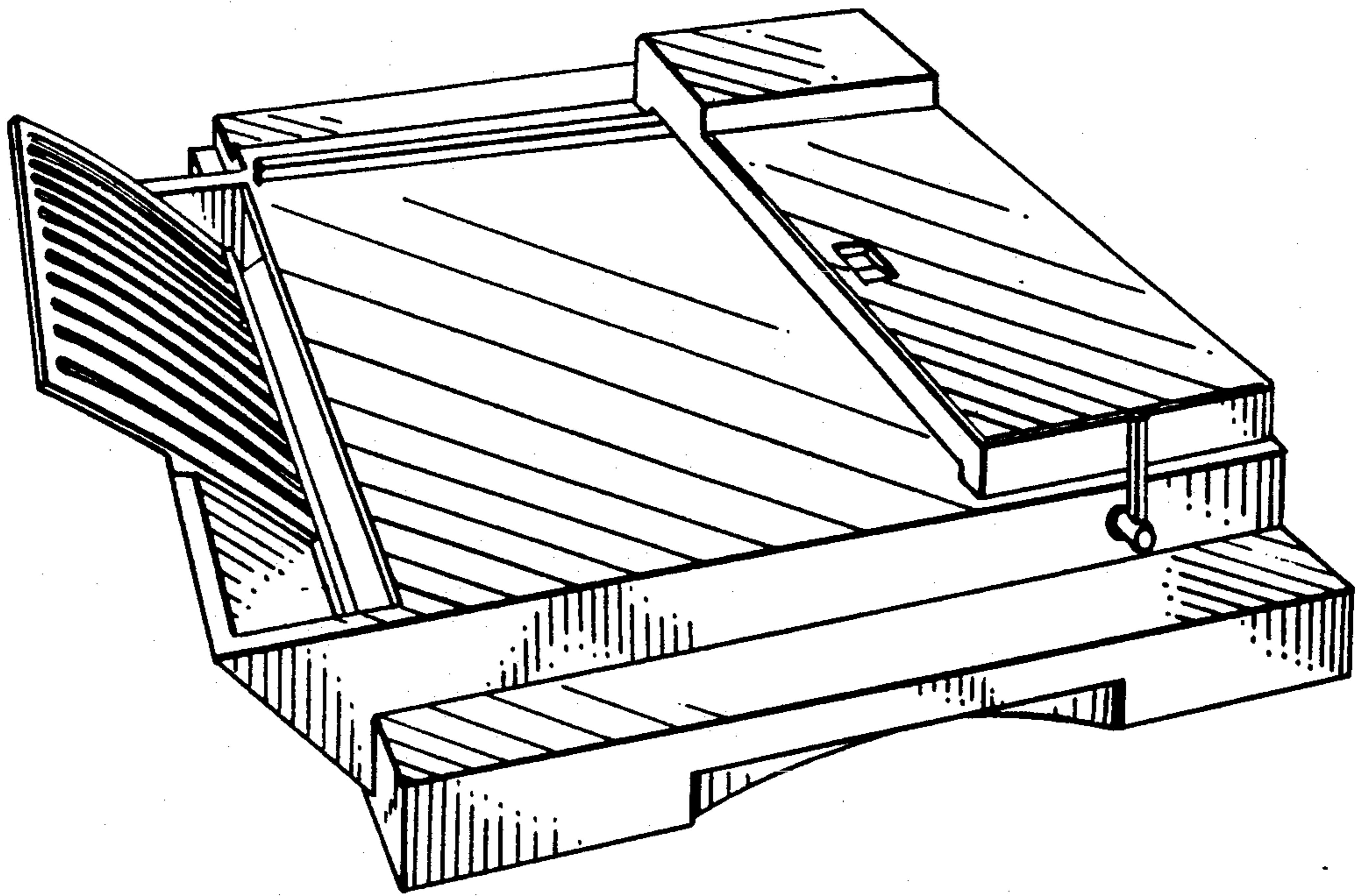


FIG. 1

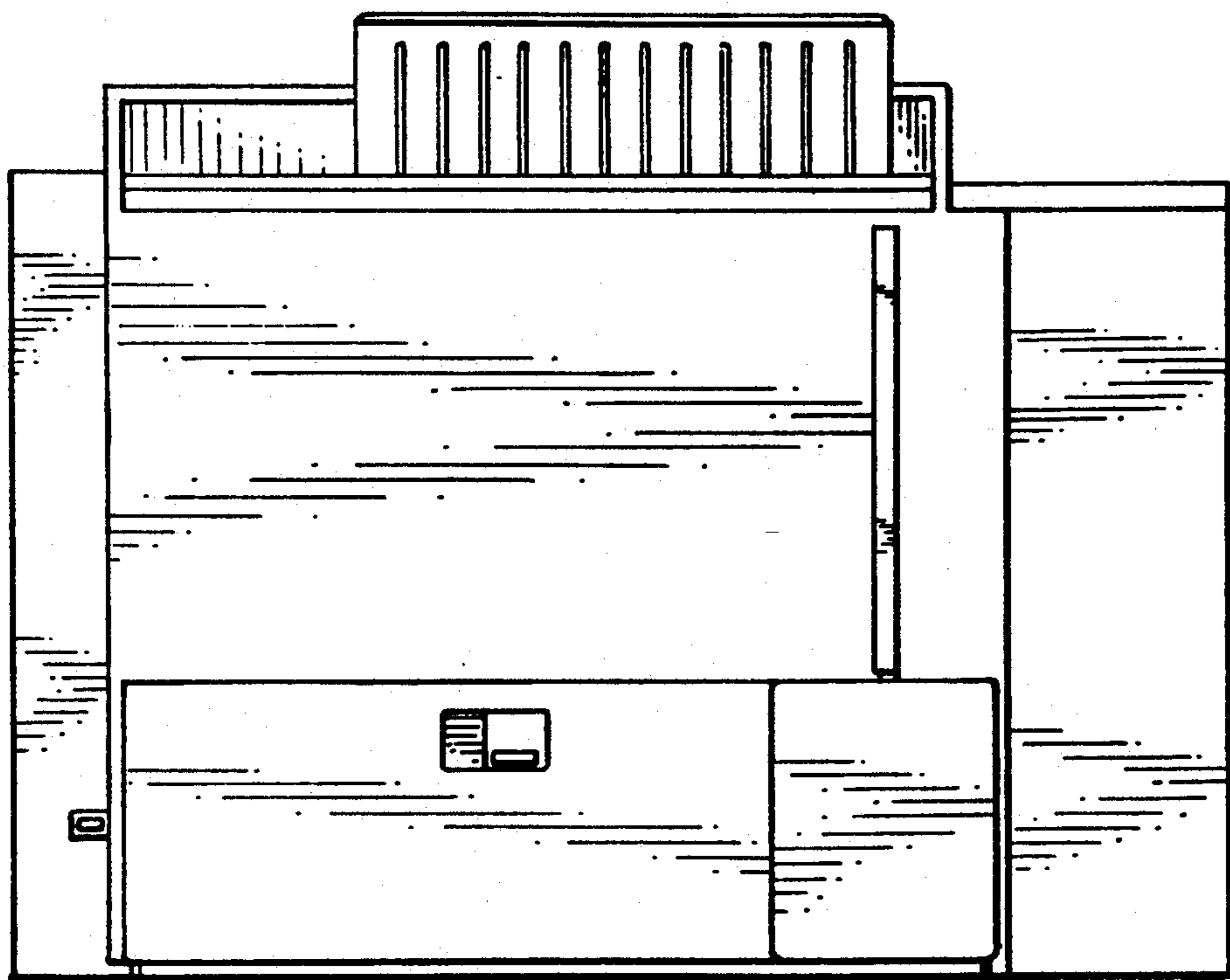


FIG. 2

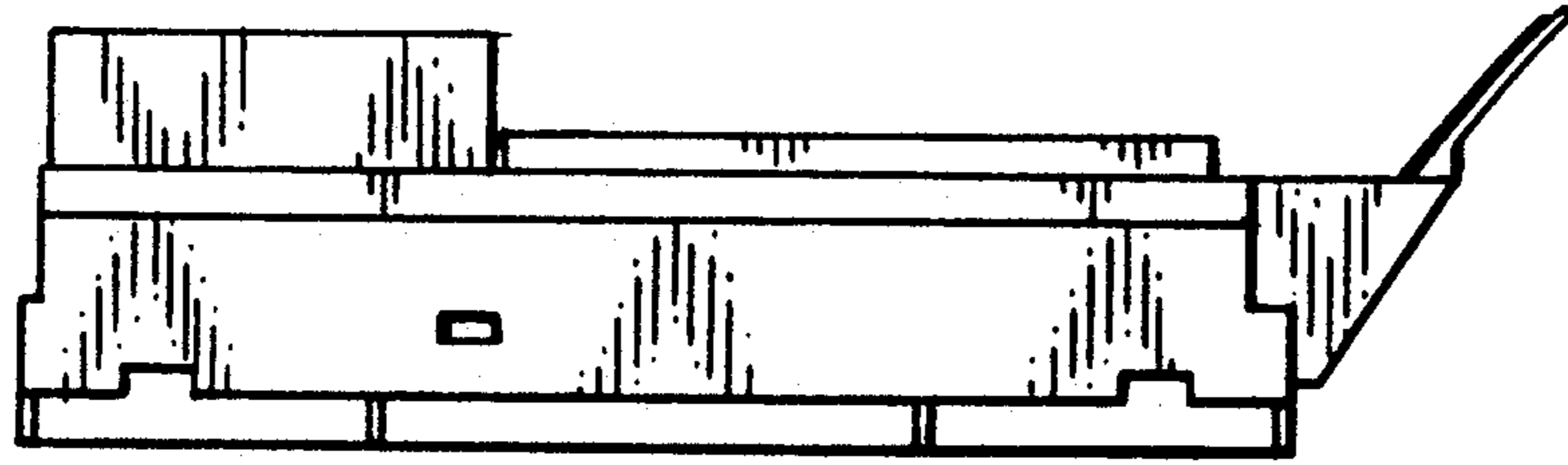


FIG. 3

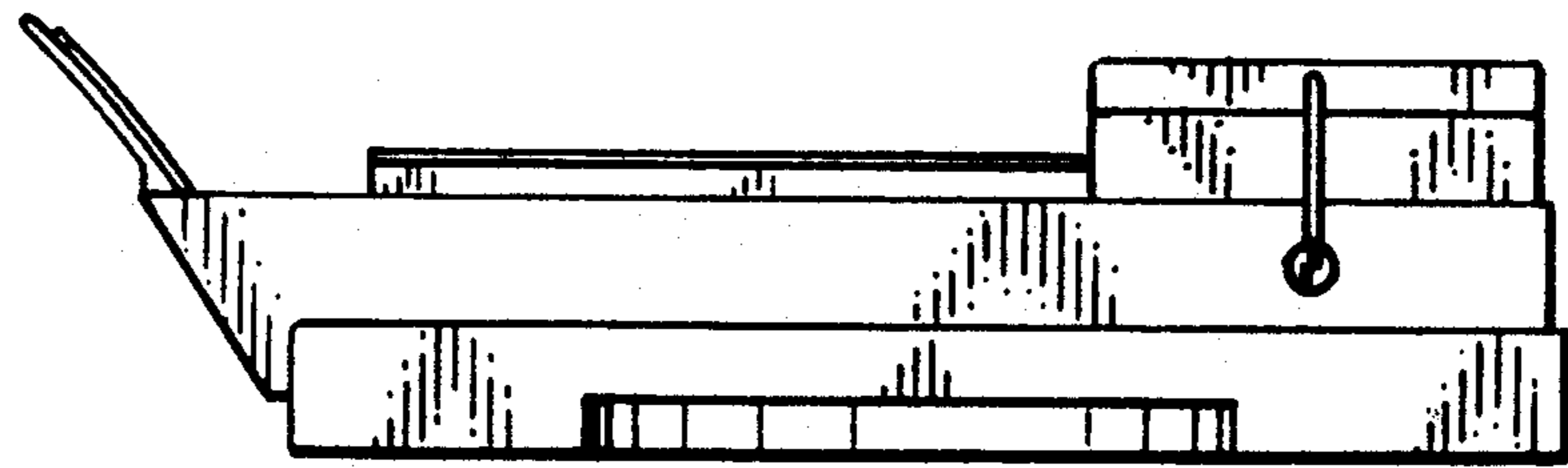


FIG. 4

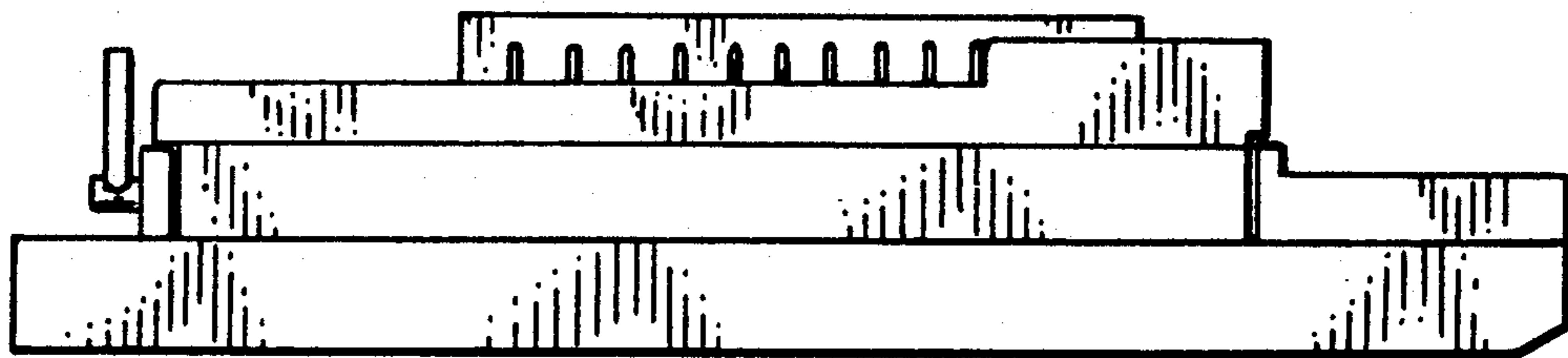


FIG. 5

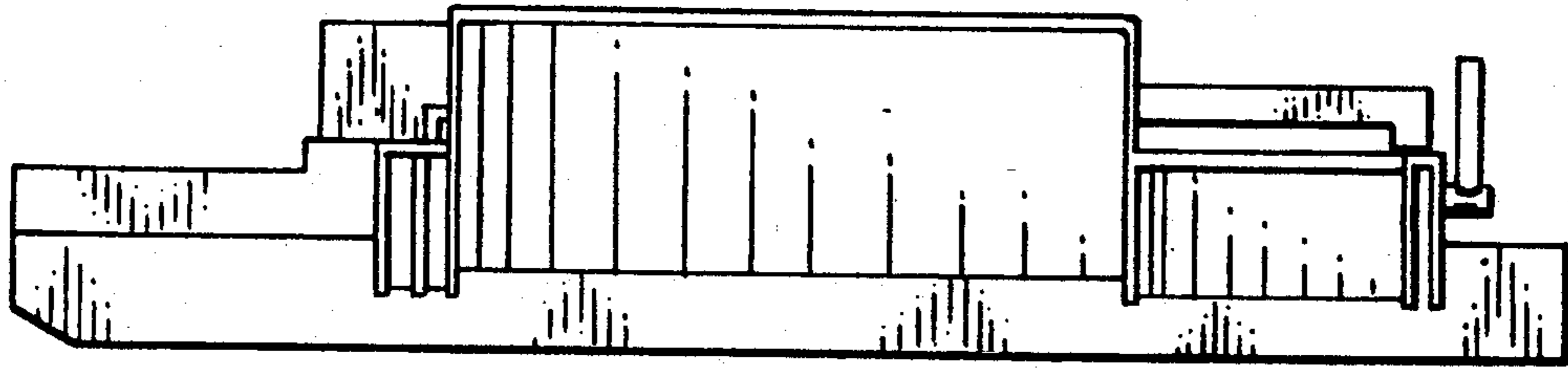


FIG. 6

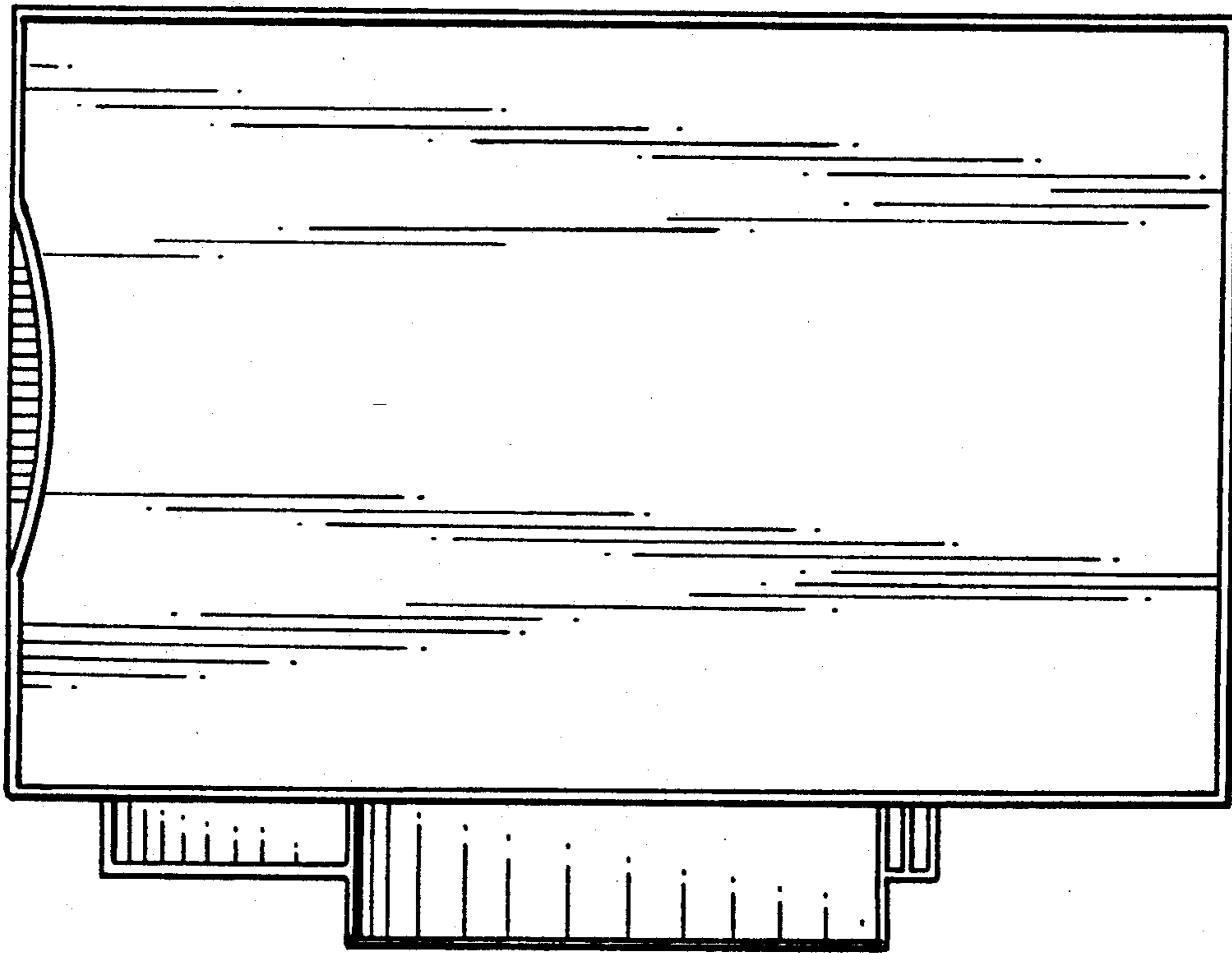


FIG. 7