



US00D337593S

# United States Patent [19]

Hewitt

[11] Patent Number: **Des. 337,593**

[45] Date of Patent: **\*\* Jul. 20, 1993**

[54] **MOBILE MACHINE STAND**

4,743,039 5/1988 Ellis ..... D34/23 X

[76] Inventor: **Timothy Hewitt**, 18 Kensington,  
Pleasant Ridge, Mich. 48069

*Primary Examiner*—Alan P. Douglas  
*Assistant Examiner*—Antoine D. Davis  
*Attorney, Agent, or Firm*—Gifford, Groh, Sprinkle,  
Patmore and Anderson

[\*\*] Term: **14 Years**

[21] Appl. No.: **870,693**

[57] **CLAIM**

[22] Filed: **Apr. 16, 1992**

The ornamental design for a mobile machine stand,  
showing my new design.

[52] U.S. Cl. .... **D15/141; D34/23**

[58] Field of Search ..... **D15/138, 141, 199;**  
**D34/23; 280/28.17, 32, 32.4**

**DESCRIPTION**

[56] **References Cited**

**U.S. PATENT DOCUMENTS**

- D. 139,553 11/1944 McCann ..... D34/23 X
- D. 149,411 4/1948 Harley ..... D34/23
- D. 279,785 7/1985 Vaughan ..... D15/141 X

FIG. 1 is a perspective view of the mobile machine stand;

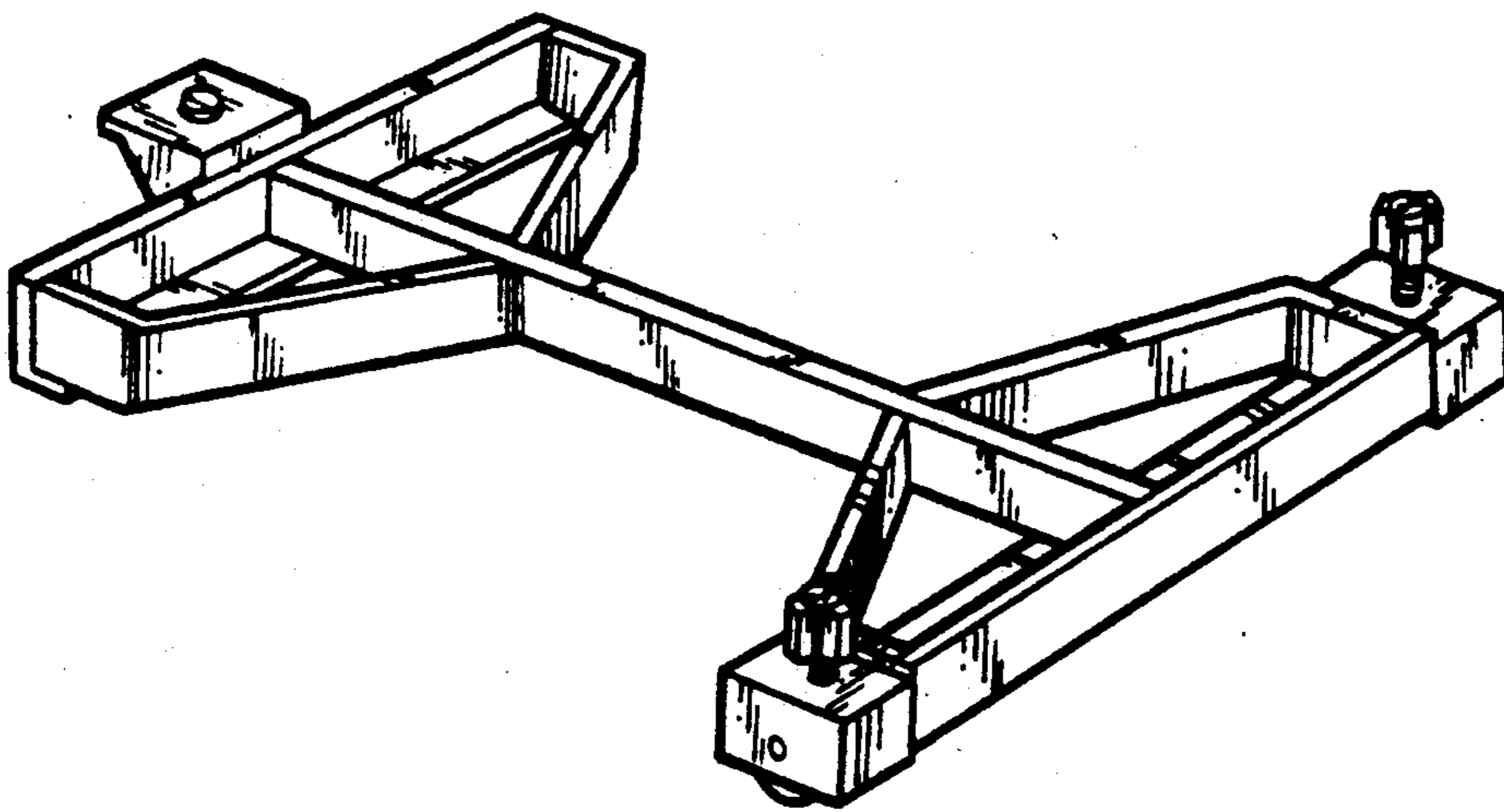
FIG. 2 is a top view of the mobile machine stand;

FIG. 3 is a side view of the mobile machine stand;

FIG. 4 is a front view of the mobile machine stand;

FIG. 5 is a rear view of the mobile machine stand; and,

FIG. 6 is a bottom view of the mobile machine stand.



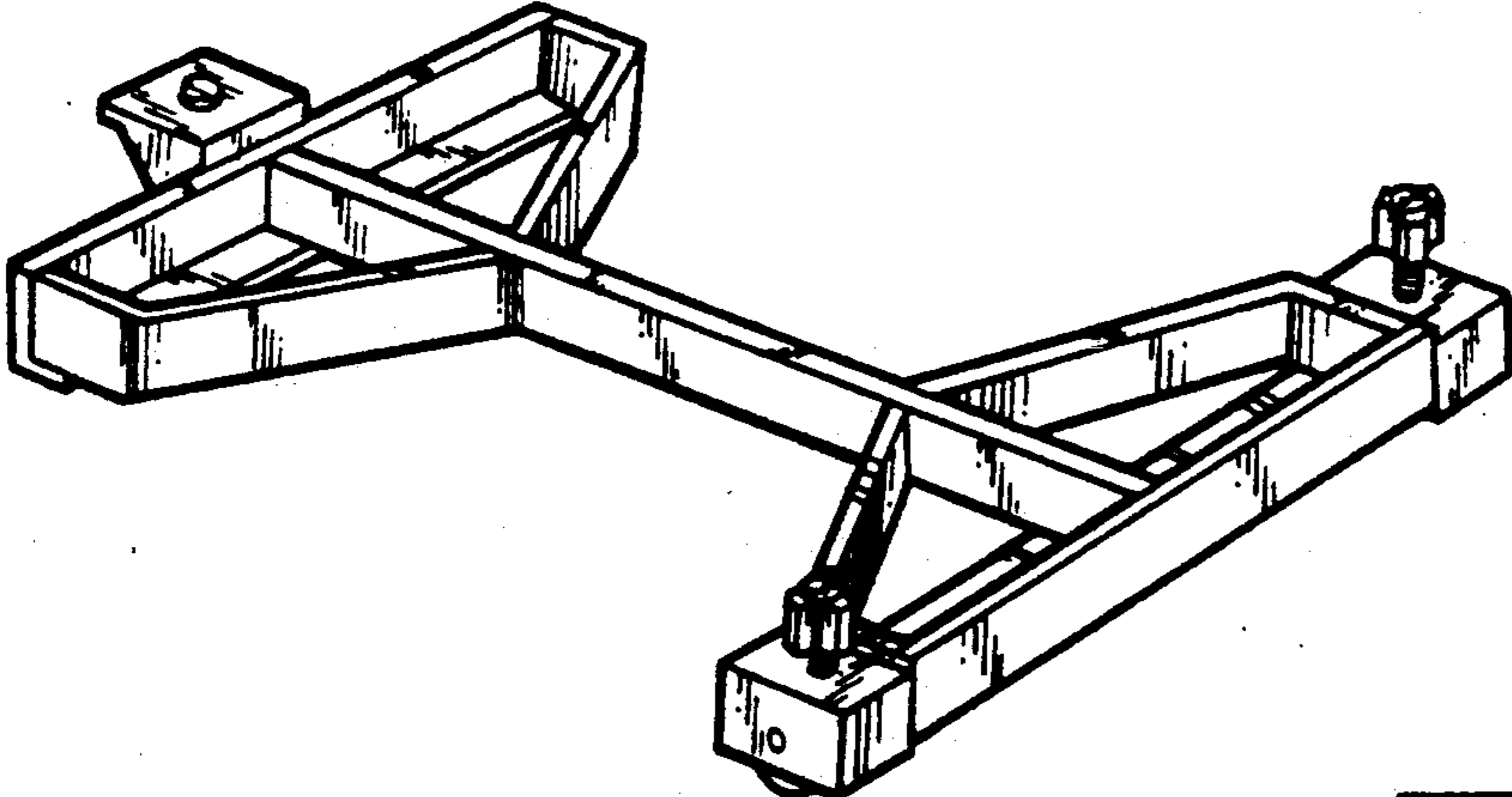


Fig-1

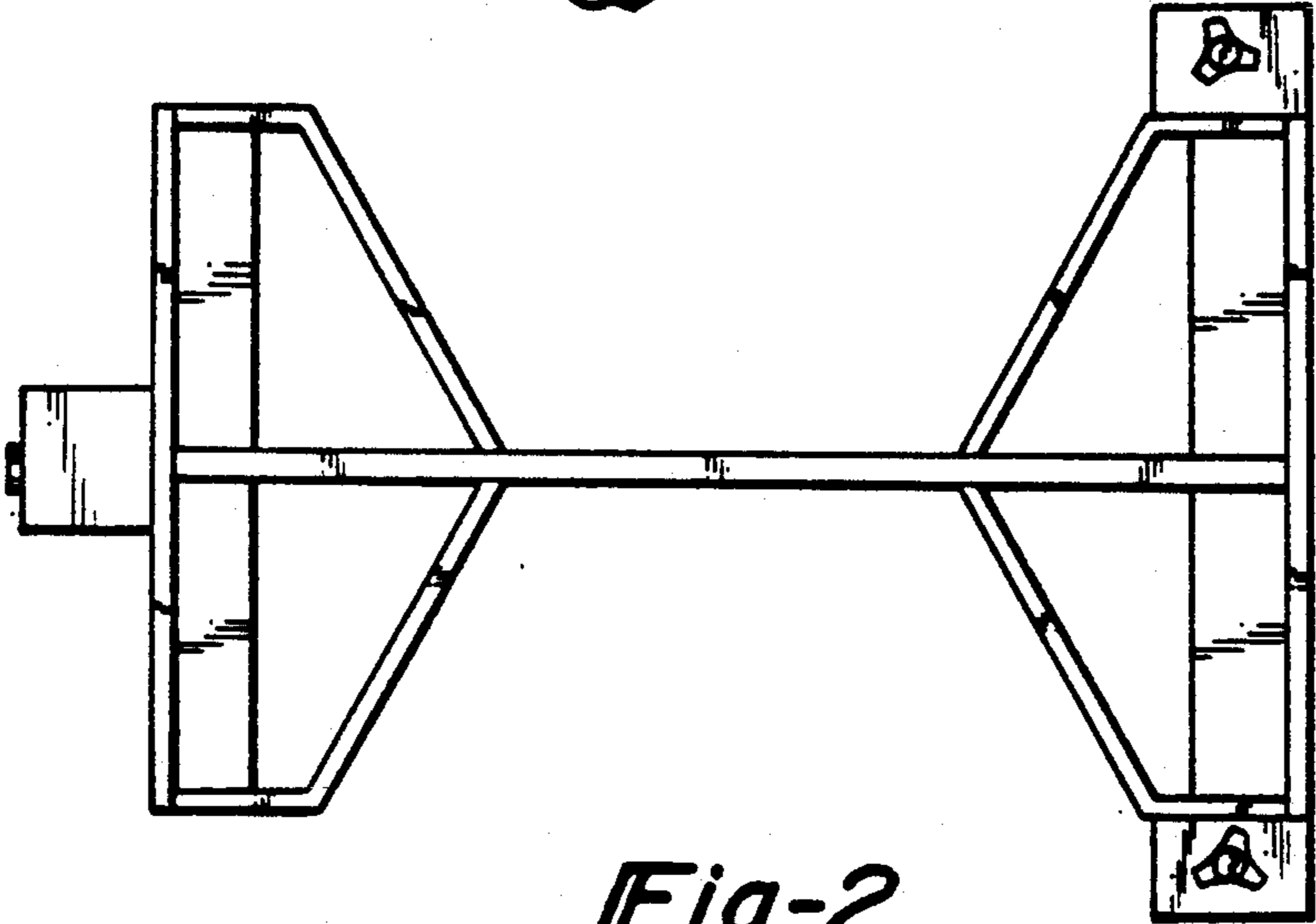


Fig-2

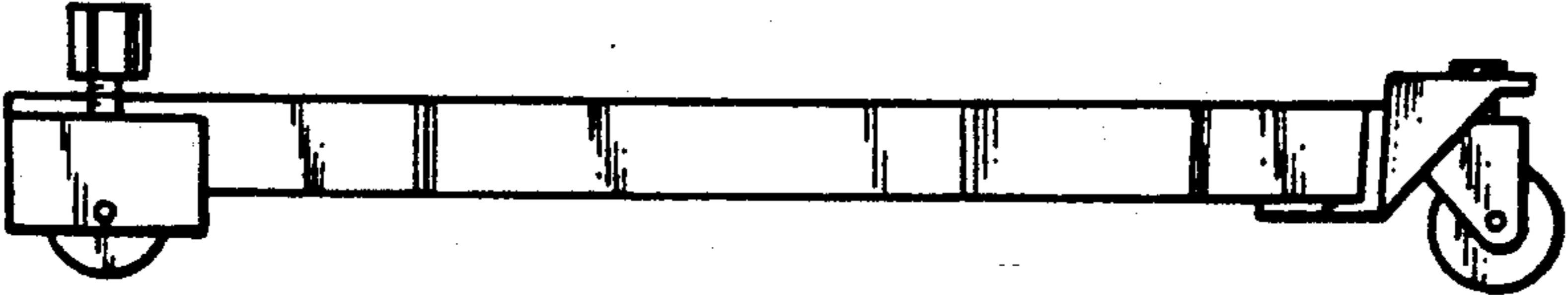


Fig-3

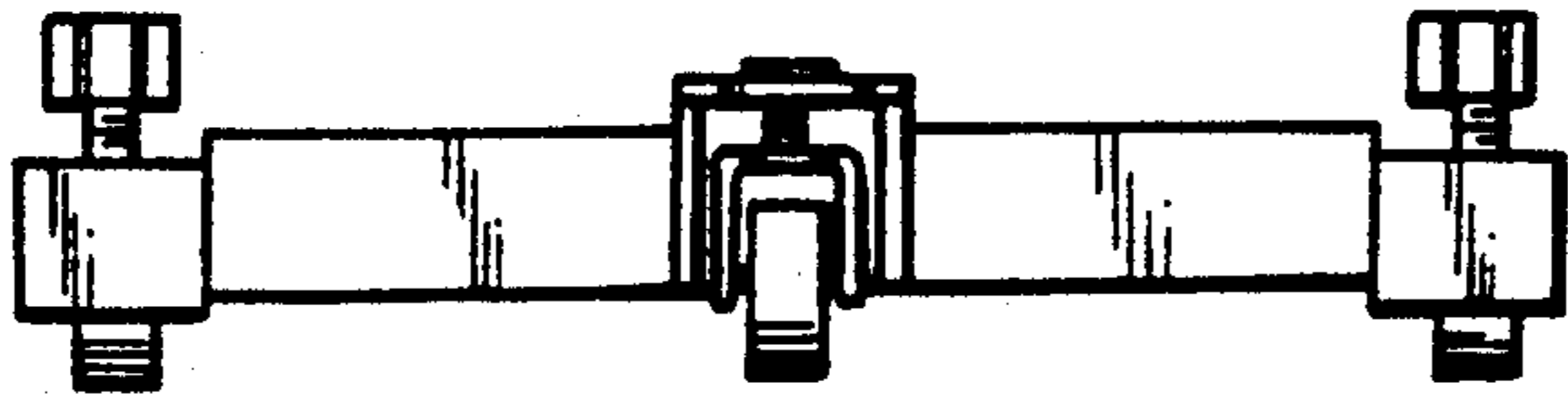


Fig-4

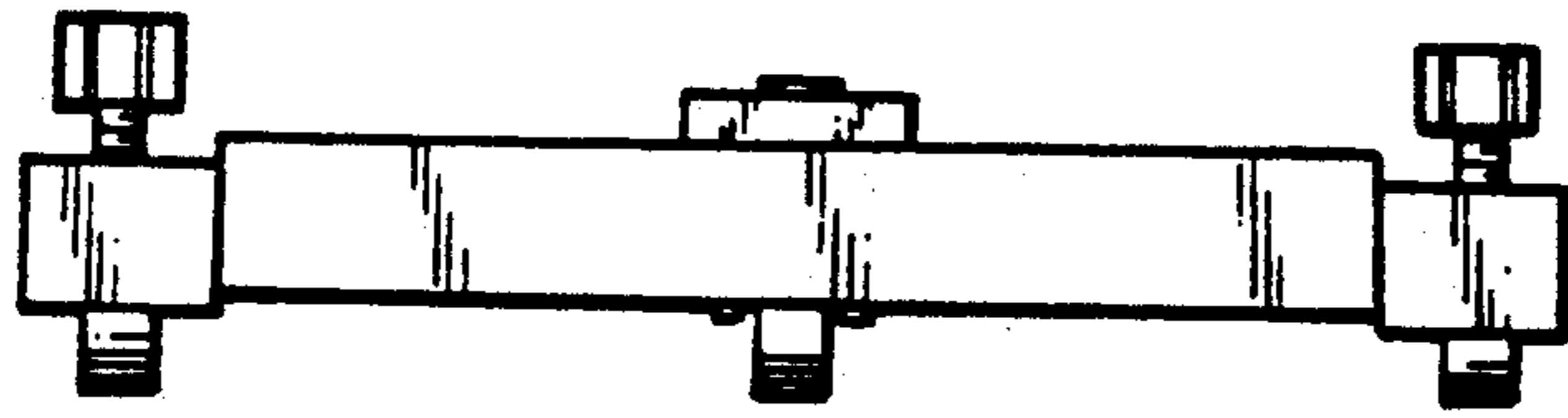


Fig-5

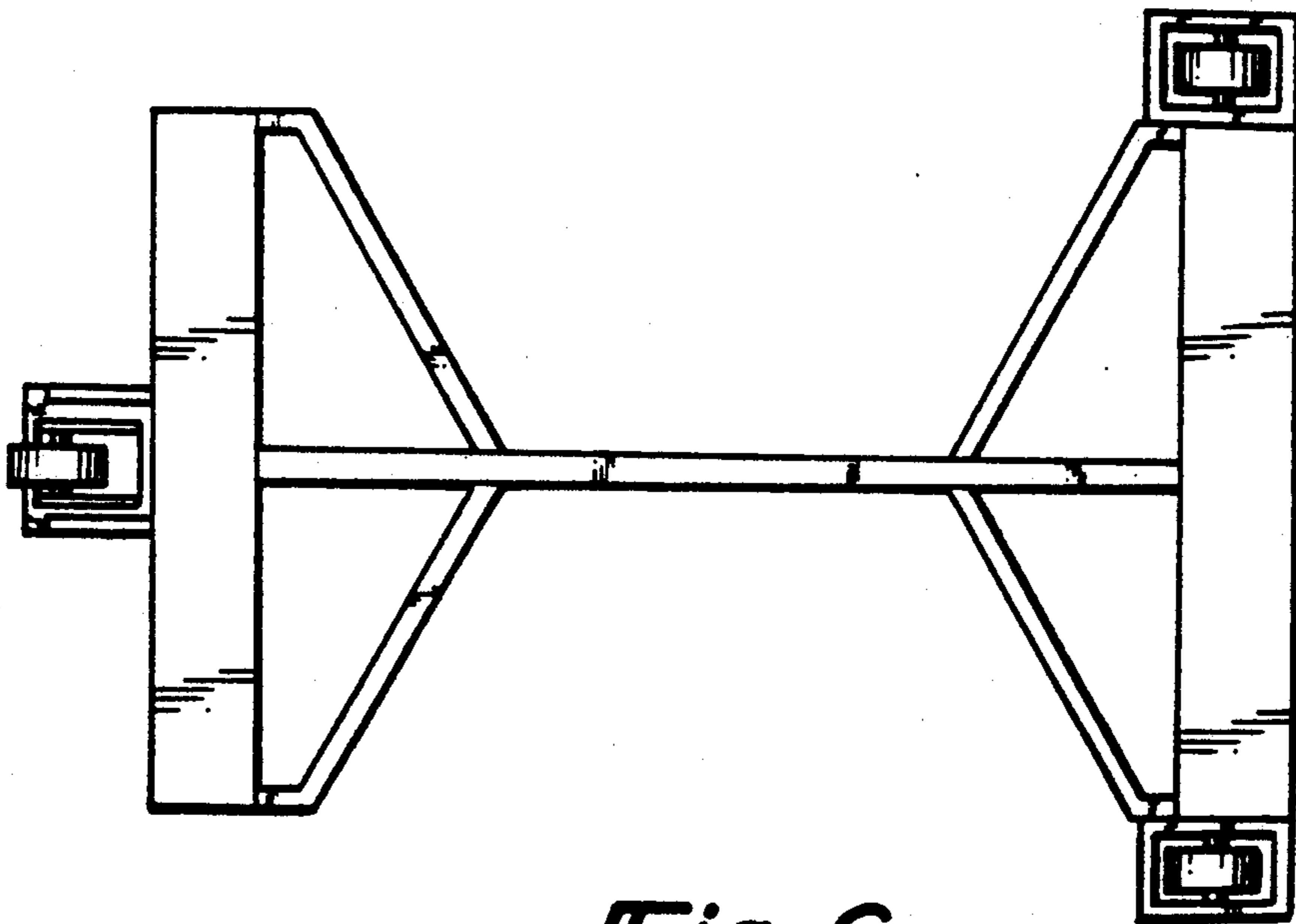


Fig-6