



US00D337591S

United States Patent [19]

[11] Patent Number: **Des. 337,591**

Buhyoff

[45] Date of Patent: **** Jul. 20, 1993**

[54] **TELEVISION SCREEN SUN SHADE**

[75] Inventor: **Todd J. Buhyoff, Auburn, Calif.**

[73] Assignee: **Robert C. Payne, Milpitas, Calif. ; a part interest**

[**] Term: **14 Years**

[21] Appl. No.: **693,272**

[22] Filed: **Apr. 29, 1991**

[52] U.S. Cl. **D14/239; D14/114**

[58] Field of Search **D14/114, 239; 358/250, 358/252, 255; 353/97; D3/5, 13**

[56] **References Cited**

U.S. PATENT DOCUMENTS

3,733,436	5/1973	Rose	358/255
3,849,598	11/1974	Hoffberger, II et al.	358/255
4,314,280	2/1982	Rose	358/255
4,612,583	9/1986	Ayervais	D14/239 X

*Primary Examiner—Terry A. Pfeffer
Attorney, Agent, or Firm—Lothrop & West*

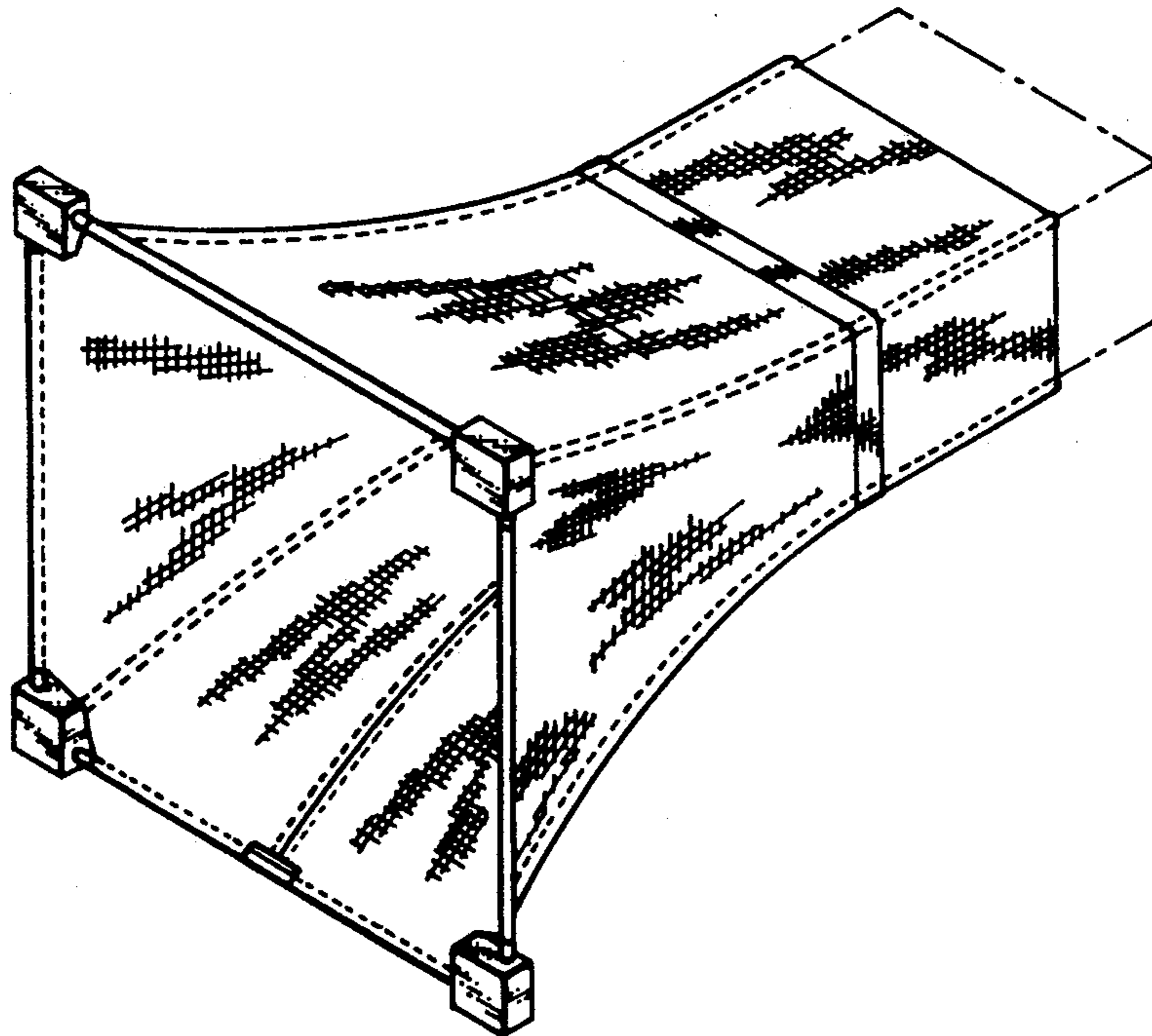
[57] **CLAIM**

The ornamental design for a television screen sun shade, as shown and described.

DESCRIPTION

FIG. 1 is a left front perspective view of a television screen sun shade, showing my new design; FIG. 2 is a front elevational view, thereof; FIG. 3 is a side elevational view, the opposite side elevational view being substantially a mirror image, thereof; FIG. 4 is a rear elevational view, thereof; FIG. 5 is a bottom plan view, thereof; and, FIG. 6 is a top plan view, thereof.

The representation of the portable television shown in broken line in FIGS. 1, 2, 3, 5 and 6 is included solely for illustrative purposes, and forms no part of the claimed invention.



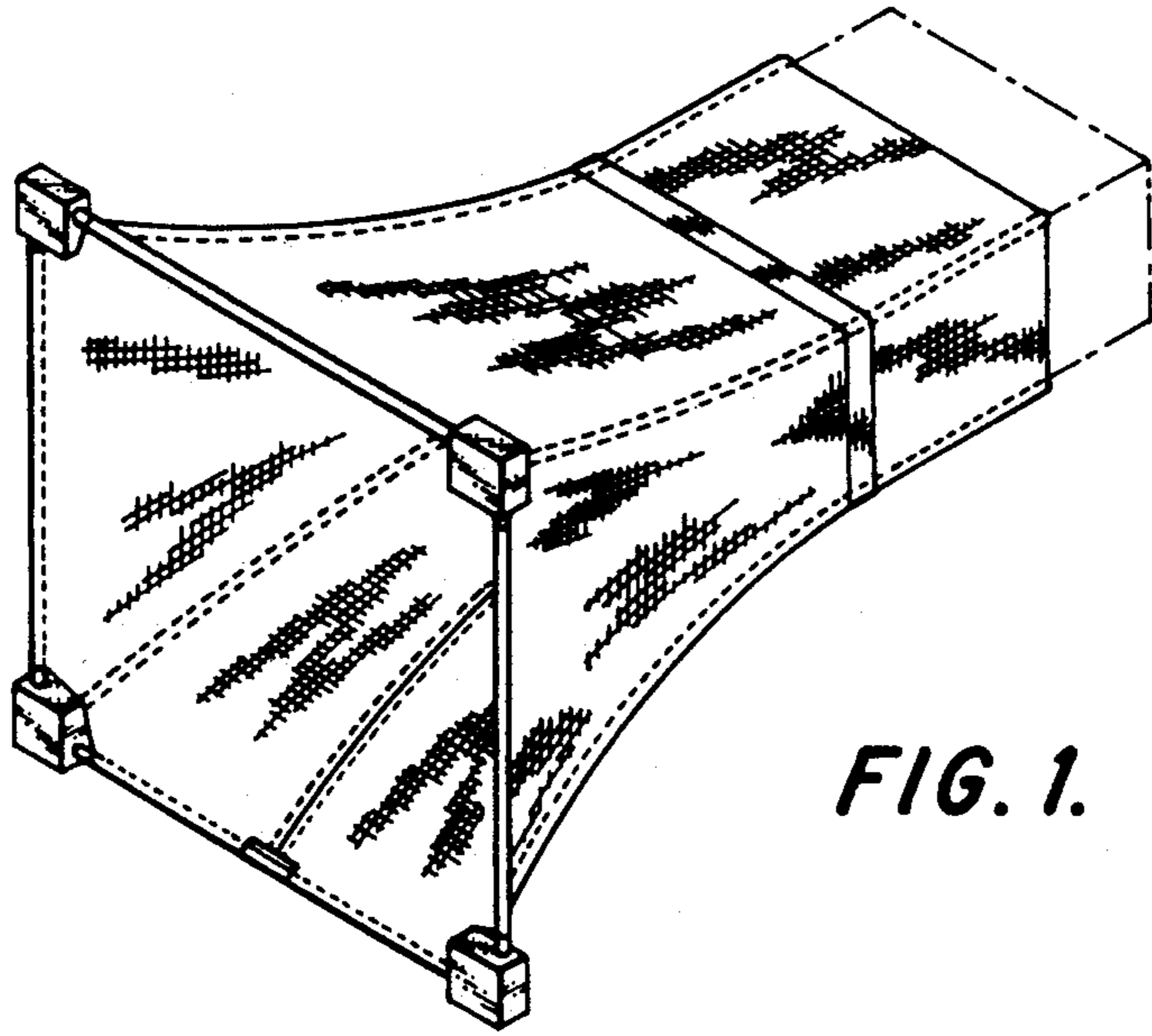


FIG. 1.

FIG. 2.

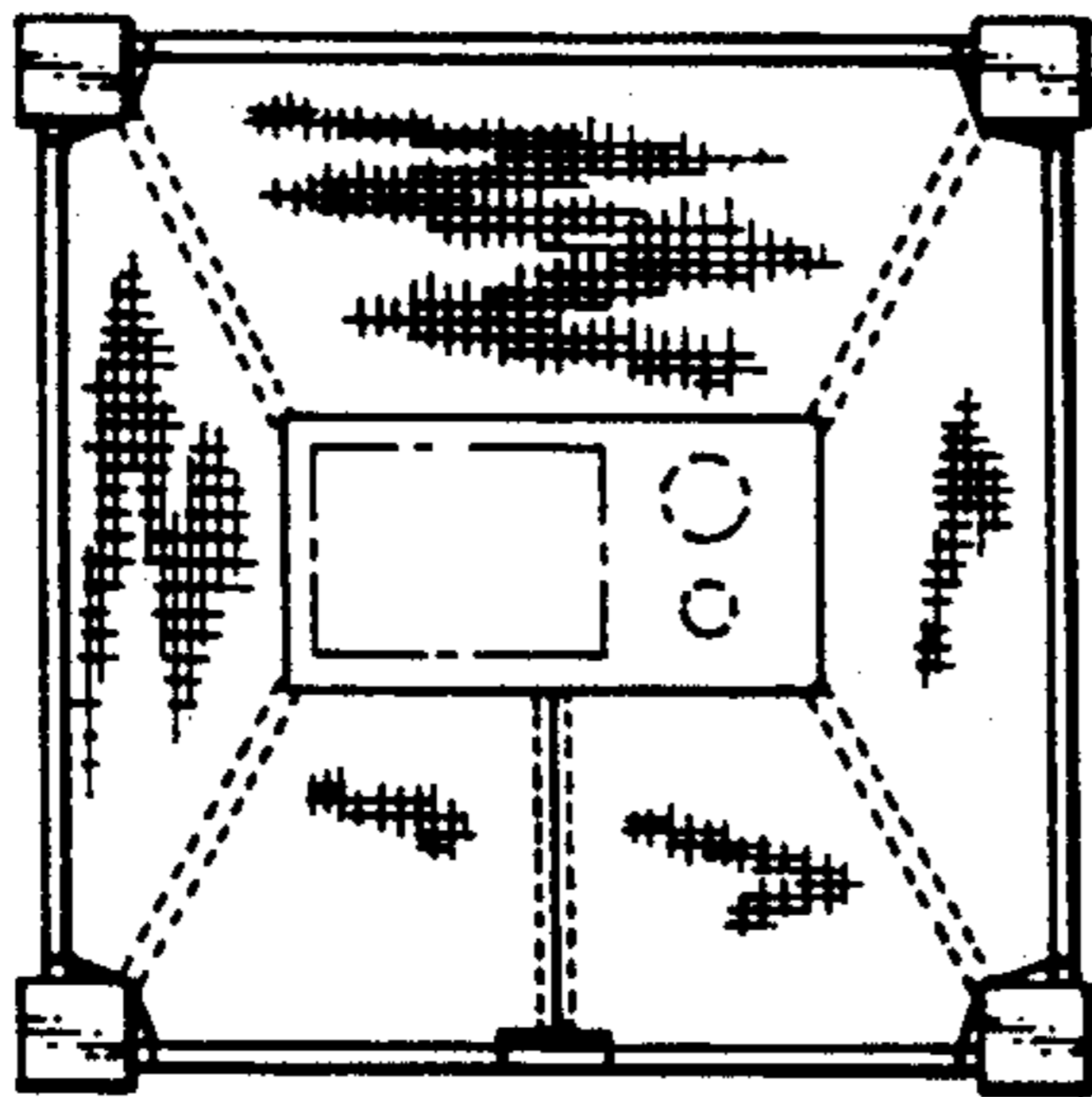


FIG. 3.

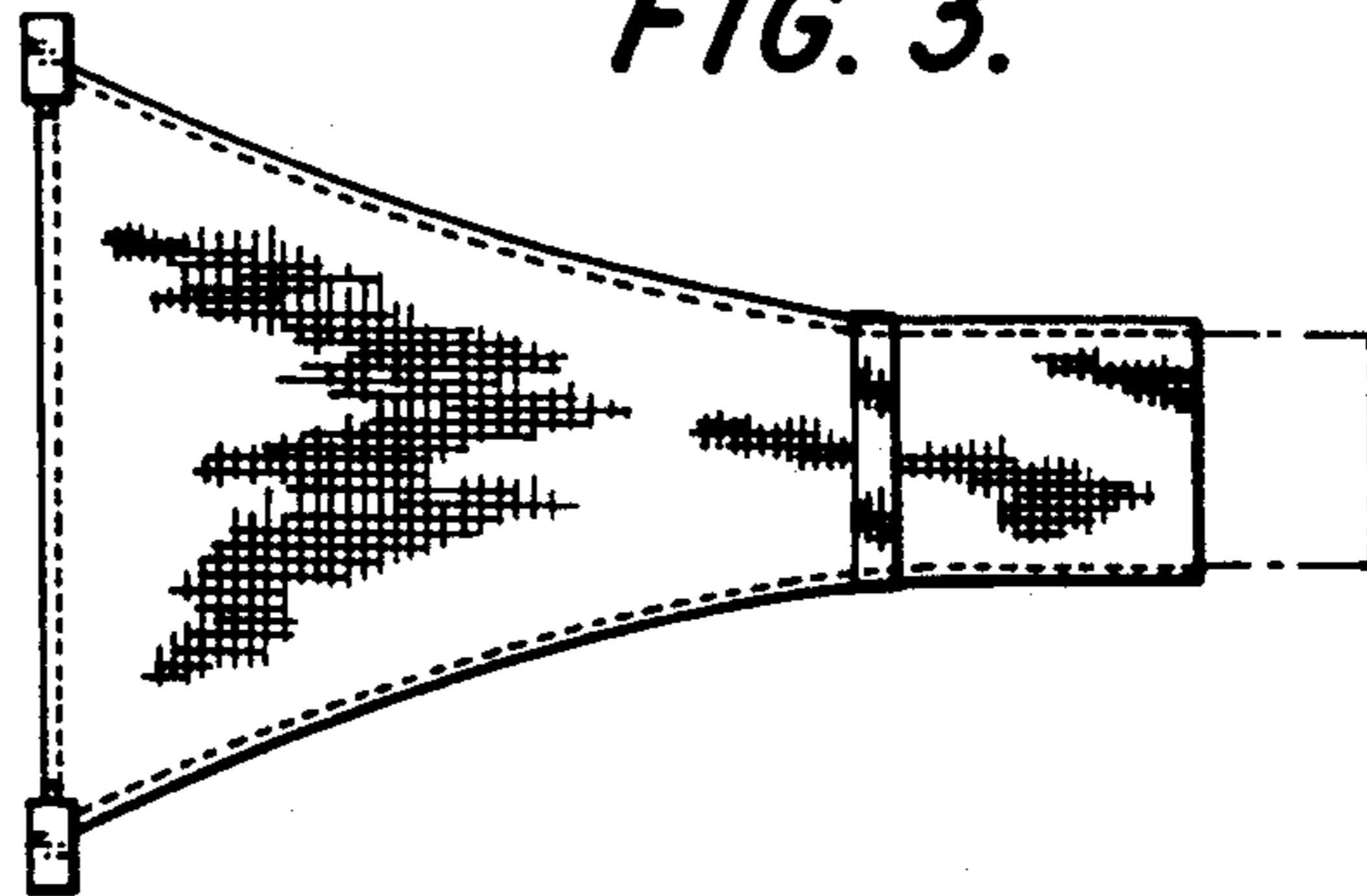


FIG. 5.

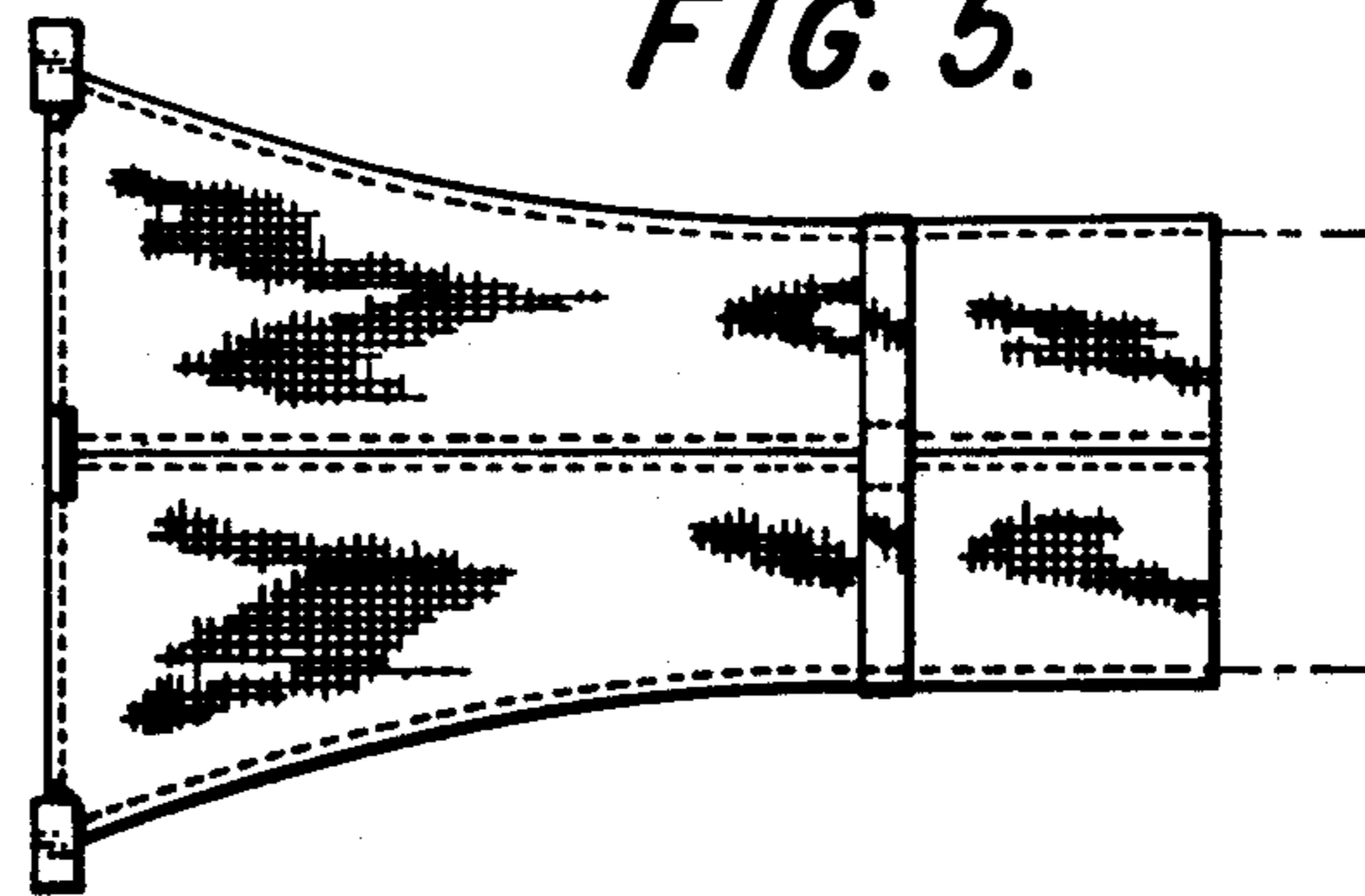


FIG. 4.

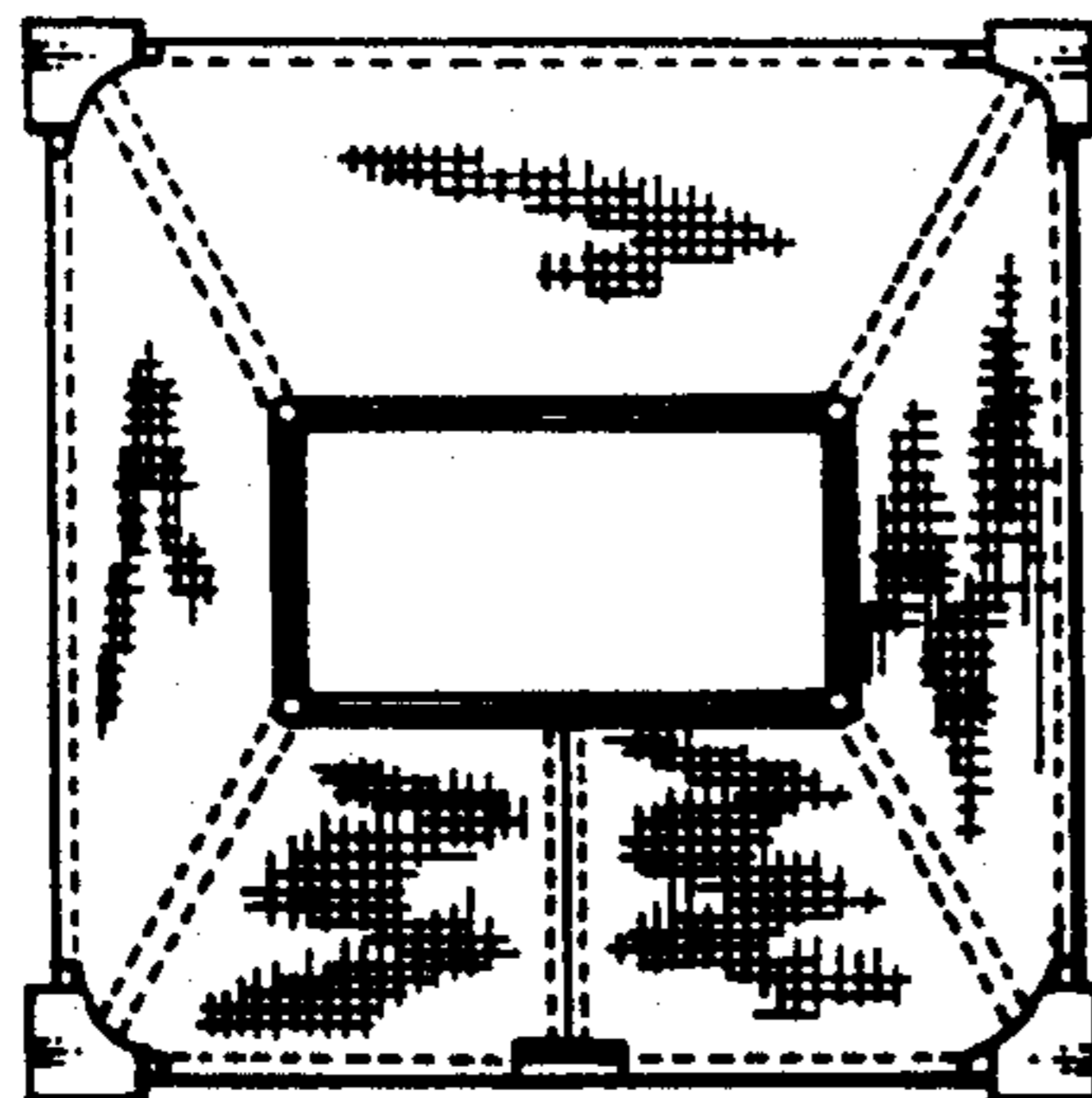


FIG. 6.

