



US00D337586S

United States Patent [19]

Wallace et al.

[11] Patent Number: **Des. 337,586**

[45] Date of Patent: **** Jul. 20, 1993**

[54] **HANDLE FOR TRAILER COUPLER HOUSING**

[75] Inventors: **Jeffrey D. Wallace, Des Moines; Herbert O. Dixon, Jr., West Des Moines, both of Iowa**

[73] Assignee: **Dico, Inc., Des Moines, Iowa**

[**] Term: **14 Years**

[21] Appl. No.: **801,840**

[22] Filed: **Dec. 3, 1991**

[52] U.S. Cl. **D12/162**

[58] Field of Search **D12/162; D8/382, 383, D8/349; 280/510-513**

[56] **References Cited**

U.S. PATENT DOCUMENTS

D. 326,605	6/1992	Nakamura	D8/382
3,035,856	5/1962	Mileczko et al.	D12/162
4,134,602	1/1979	Boyer	D12/162

OTHER PUBLICATIONS

The Big Boy Products Inc. Pamphlet, Dec. 27, 1985 p. 3, the handles on couplers A & B.

Primary Examiner—Wallace R. Burke
Assistant Examiner—Melody N. Brown
Attorney, Agent, or Firm—Brian J. Laurenzo; Kent A. Herink

[57] **CLAIM**

The ornamental design for a handle for trailer coupler housing, showing our new design as shown and described.

DESCRIPTION

FIG. 1 is a top and front perspective view of a handle for trailer coupler housing showing our new design, the broken lines are for illustrative purposes only and form no part of the claimed design;
FIG. 2 is a left side elevational view thereof;
FIG. 3 is a front elevational view thereof;
FIG. 4 is a top plan view thereof;
FIG. 5 is a bottom plan view thereof;
FIG. 6 is a right side elevational view thereof; and,
FIG. 7 is a rear elevational view thereof.

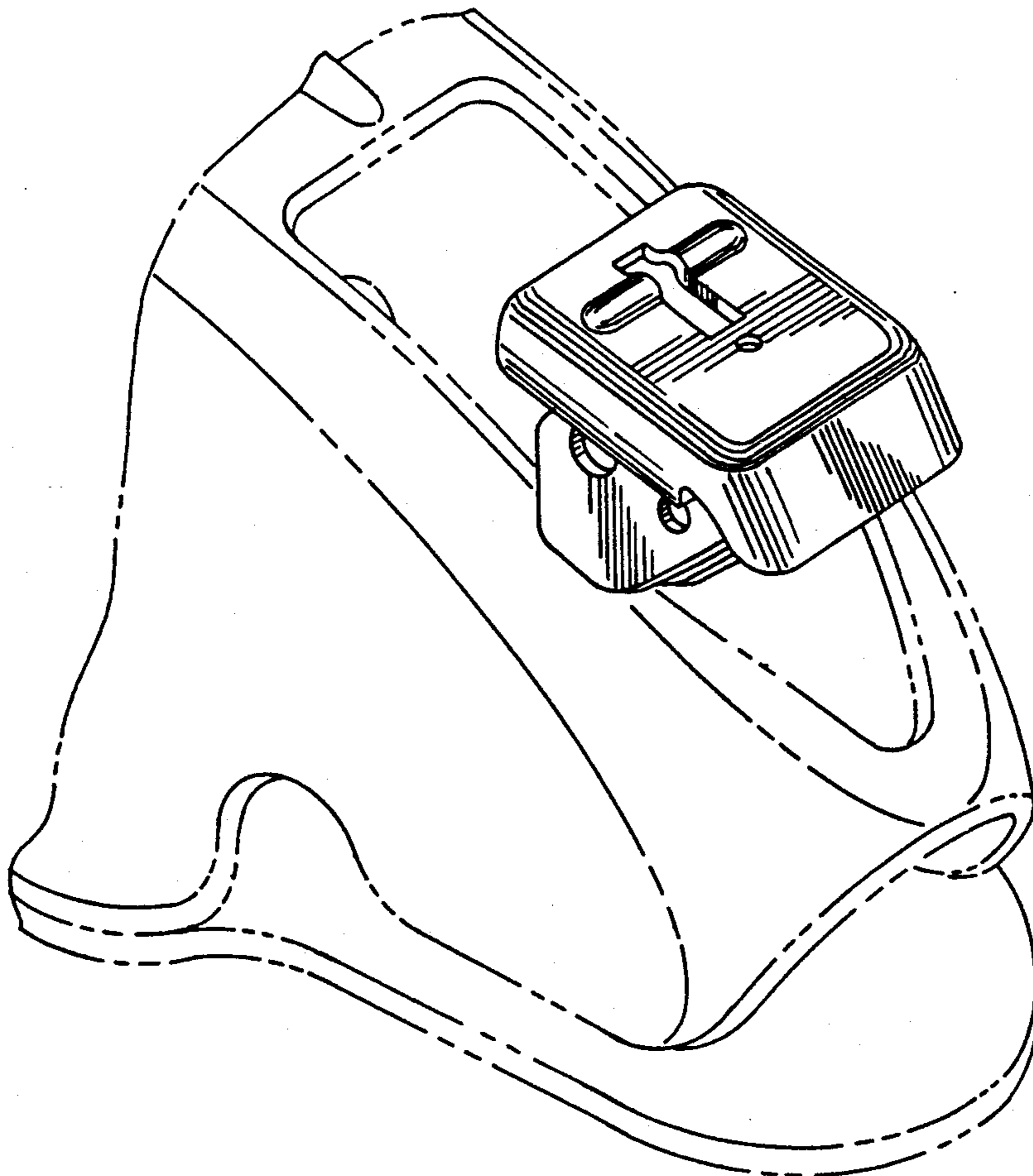


FIG. 1

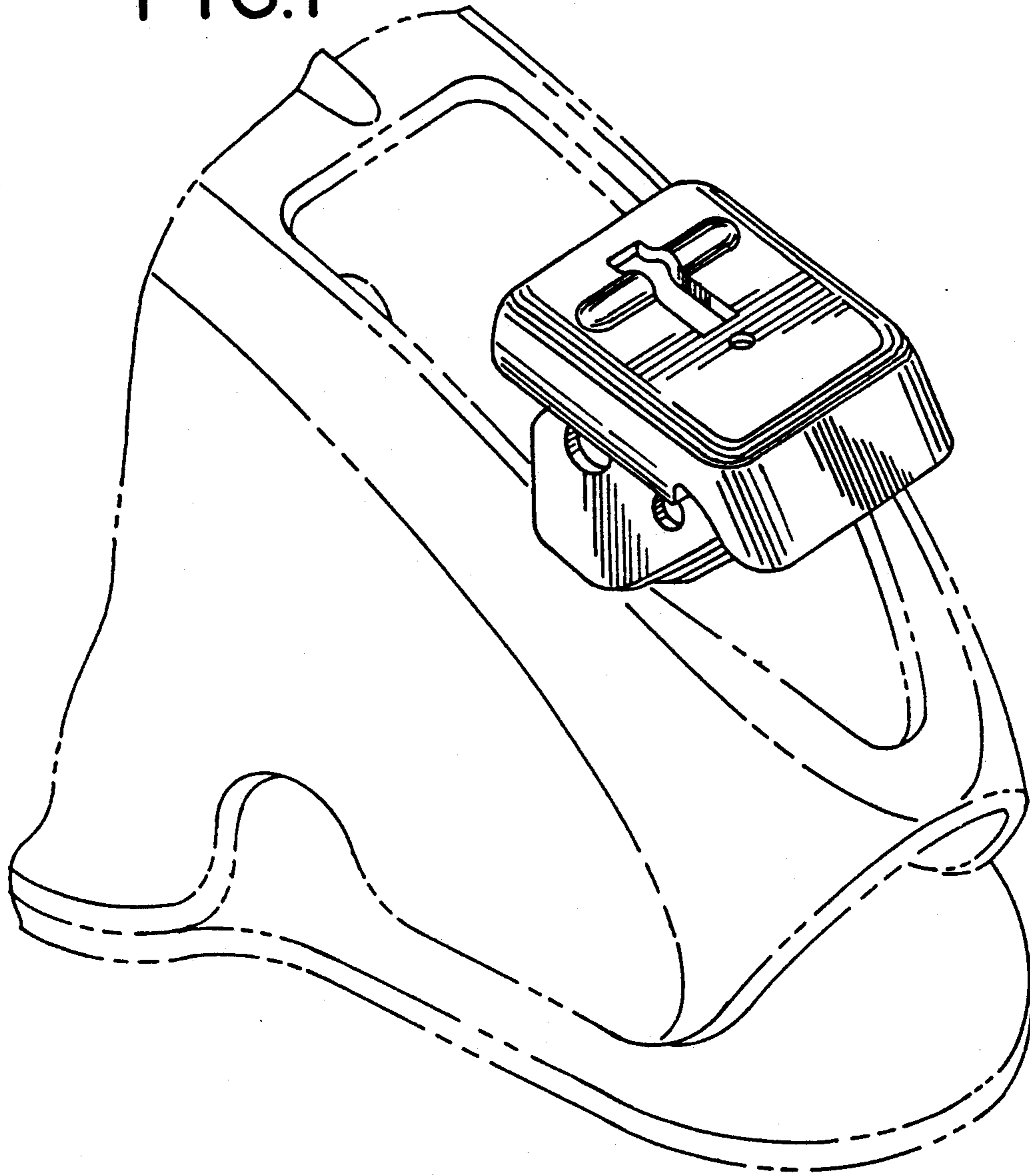


FIG. 2

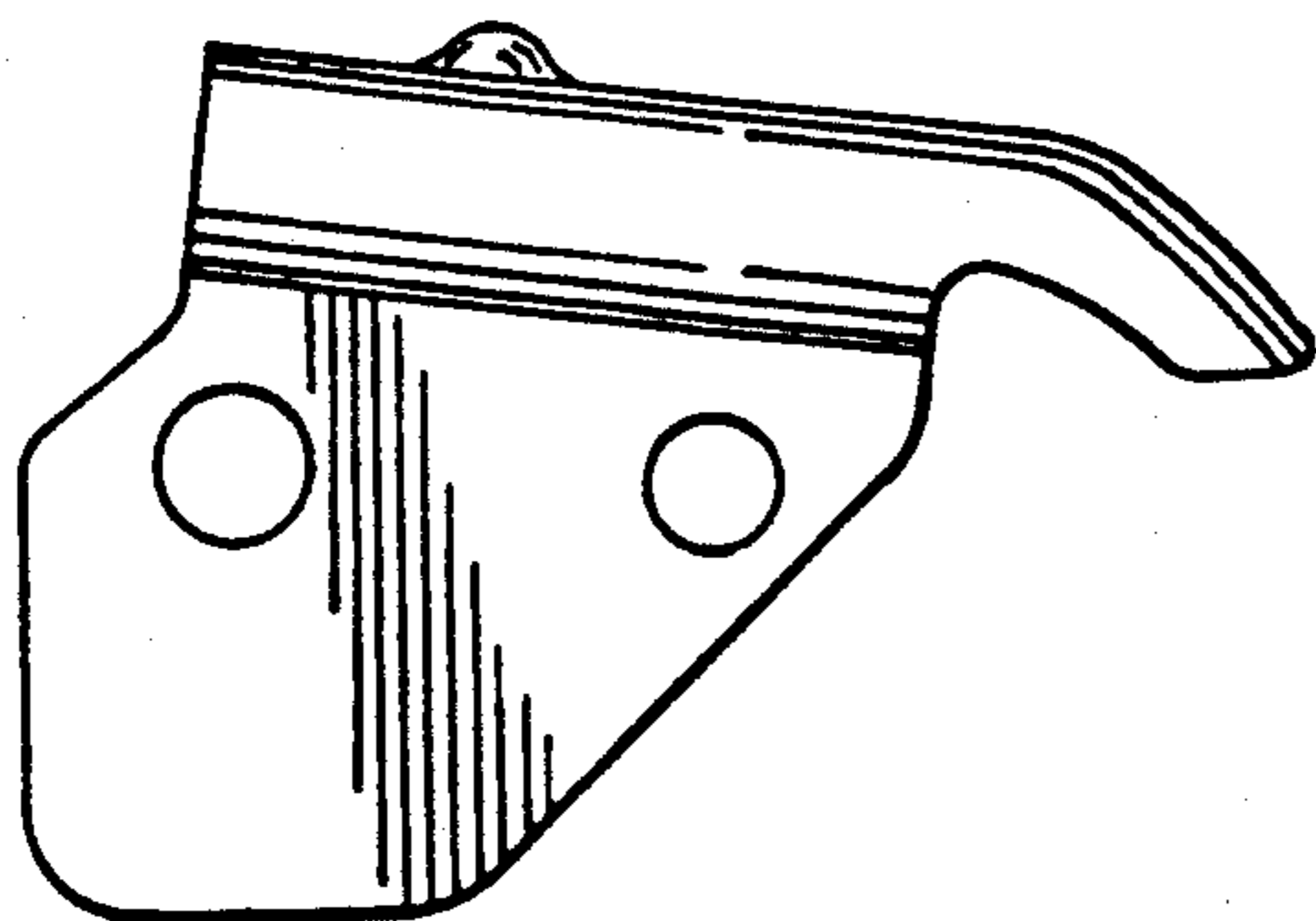


FIG. 3

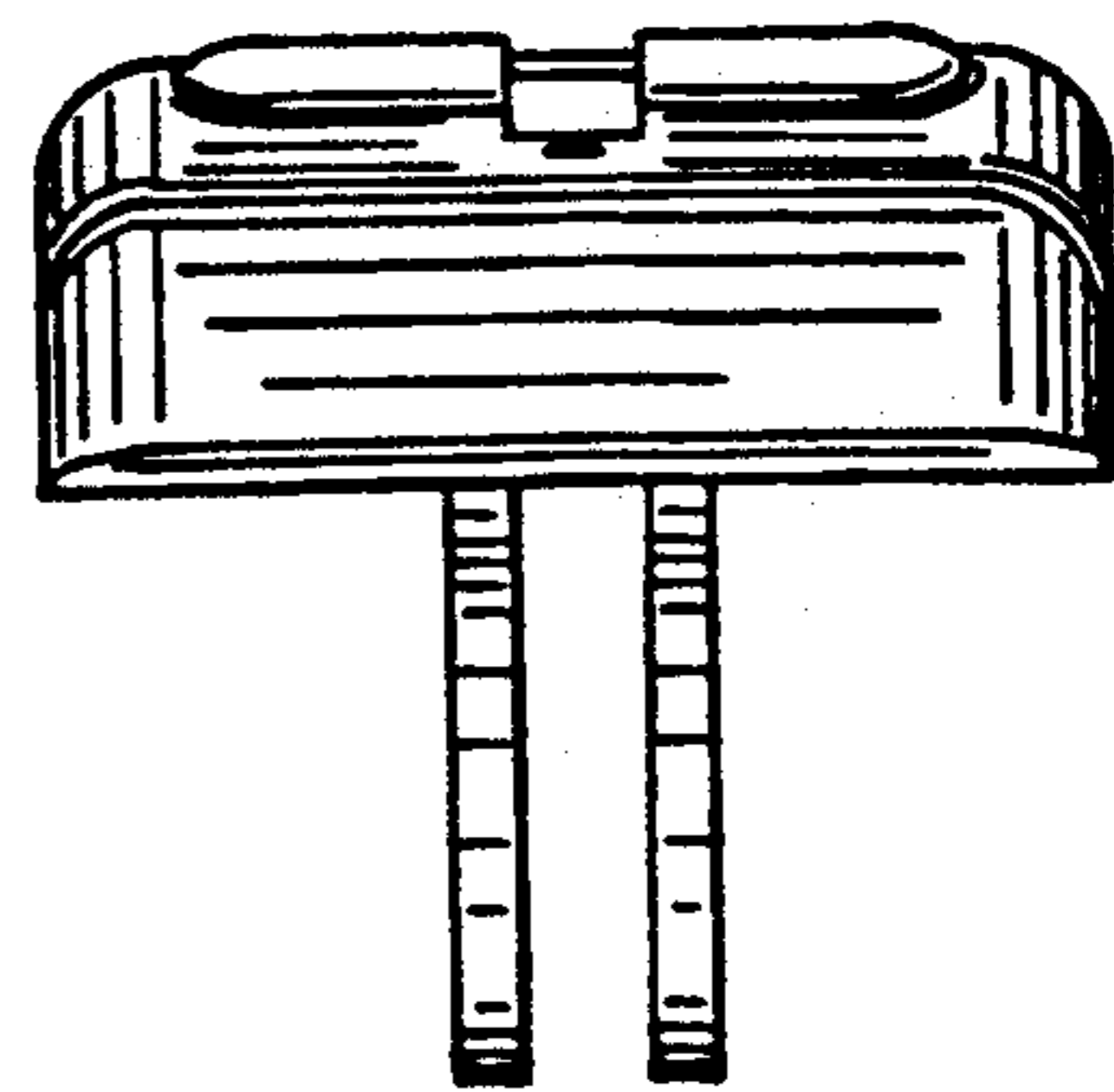


FIG. 4

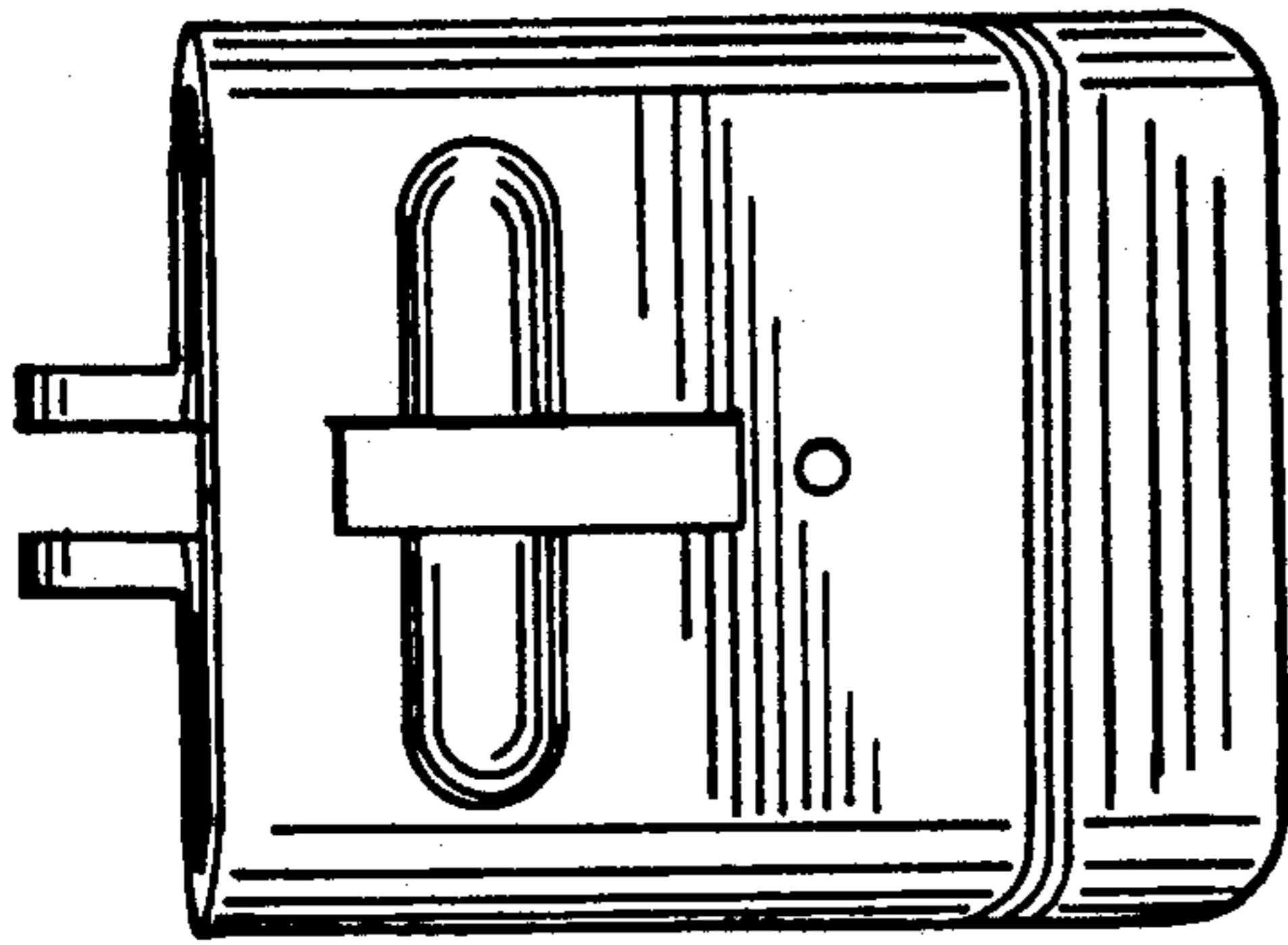


FIG. 5

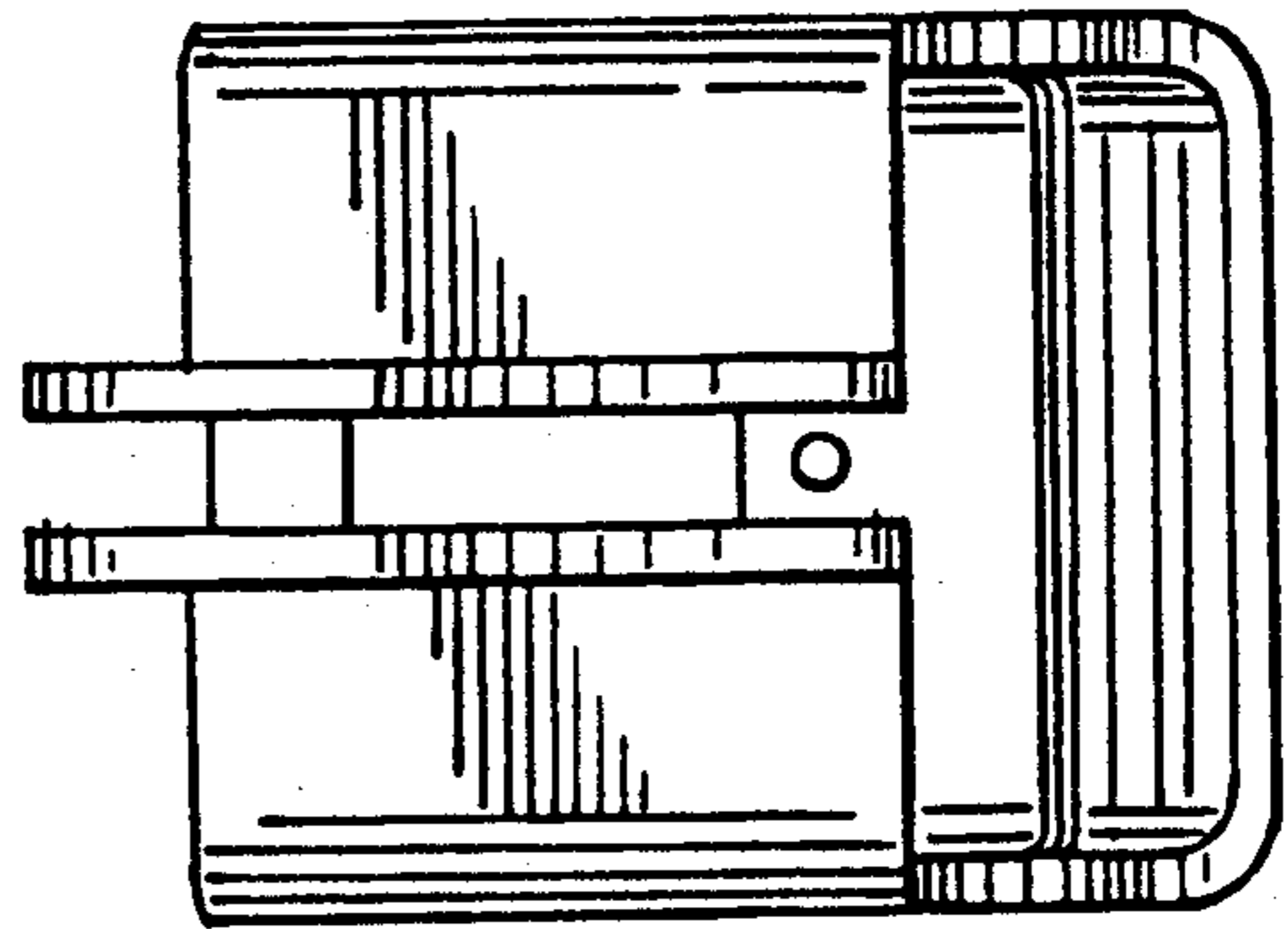


FIG. 6

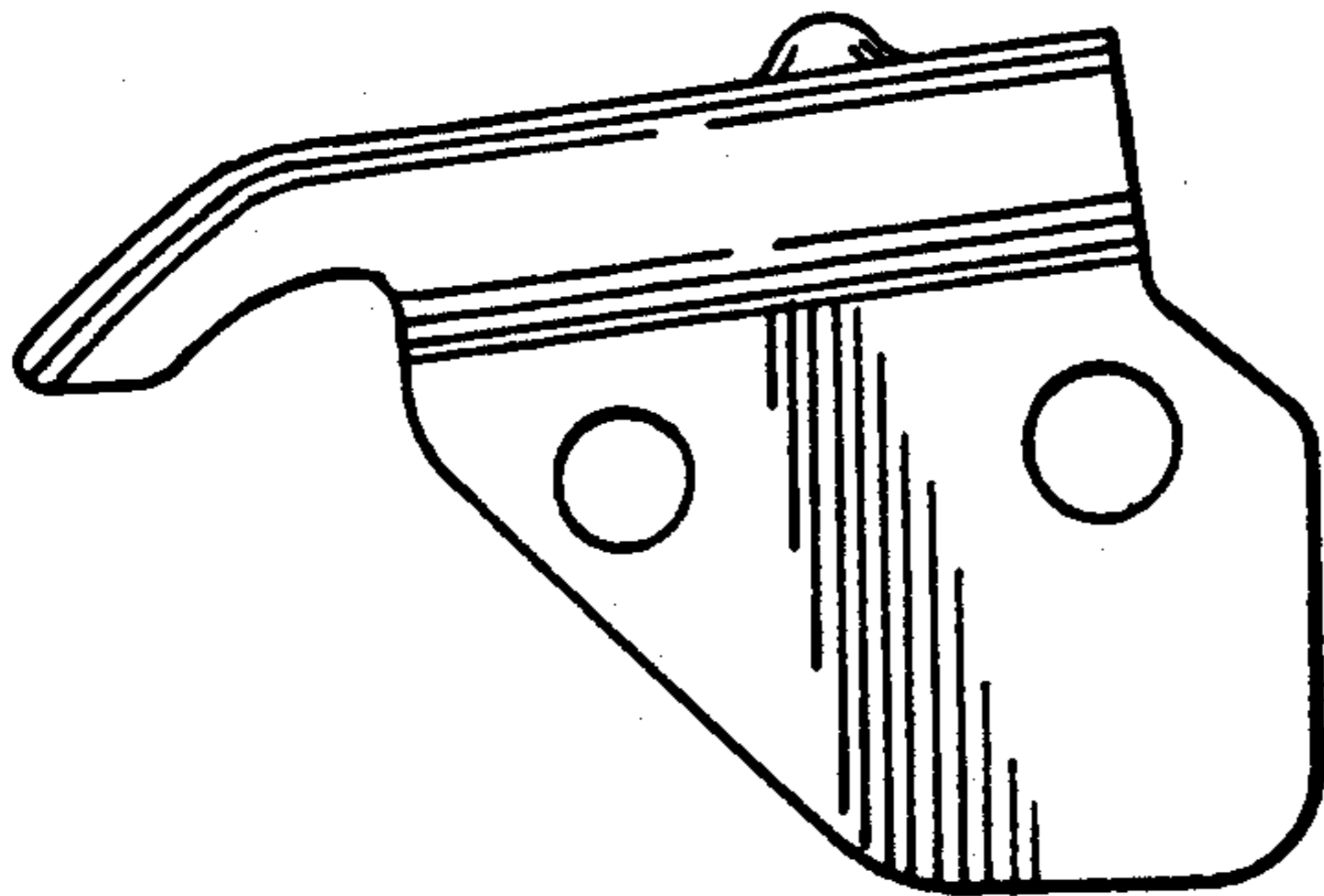


FIG. 7

