



US00D337584S

United States Patent [19]

[11] Patent Number: **Des. 337,584**

Toh

[45] Date of Patent: **** Jul. 20, 1993**

[54] TELEPHONE SET

[75] Inventor: **Tadamine Toh, Kawasaki, Japan**

[73] Assignee: **Nitsuko Corporation, Kanagawa, Japan**

[**] Term: **14 Years**

[21] Appl. No.: **798,802**

[22] Filed: **Nov. 27, 1991**

[30] Foreign Application Priority Data

Jun. 18, 1991 [JP] Japan 3-17945

[52] U.S. Cl. **D14/151**

[58] Field of Search D14/140, 142, 149, 150, D14/151, 240, 241, 248, 249; 379/420, 368, 428, 433, 434, 436, 454, 432, 419, 421, 440

[56] References Cited

U.S. PATENT DOCUMENTS

- D. 296,785 7/1988 Yamagishi D14/151
- D. 298,939 12/1988 Morikawa et al. D14/151
- D. 299,459 1/1989 Aschauer et al. D14/245 X
- D. 306,728 3/1990 Yabuki et al. D14/241 X

- D. 306,861 3/1990 Oshima et al. D14/241
- D. 307,144 4/1990 Hattori D14/241
- D. 313,235 12/1990 Kido et al. D14/241
- D. 321,871 11/1991 Ando D14/241 X
- D. 323,827 2/1992 Kido et al. D14/247 X
- D. 332,263 1/1993 Taniguchi D14/241
- 4,782,522 11/1988 Kramer et al. D14/252 X

Primary Examiner—Alan P. Douglas
Assistant Examiner—Jeffrey Asch
Attorney, Agent, or Firm—Leydig, Voit & Mayer

[57] CLAIM

The ornamental design for a telephone set, as shown and described.

DESCRIPTION

FIG. 1 is a front view of a telephone set showing our design;
FIG. 2 is a rear view thereof;
FIG. 3 is a top plan view thereof;
FIG. 4 is a bottom plan view thereof;
FIG. 5 is a left side elevational view thereof;
FIG. 6 is a right side elevational view thereof; and,
FIG. 7 is a perspective view thereof.

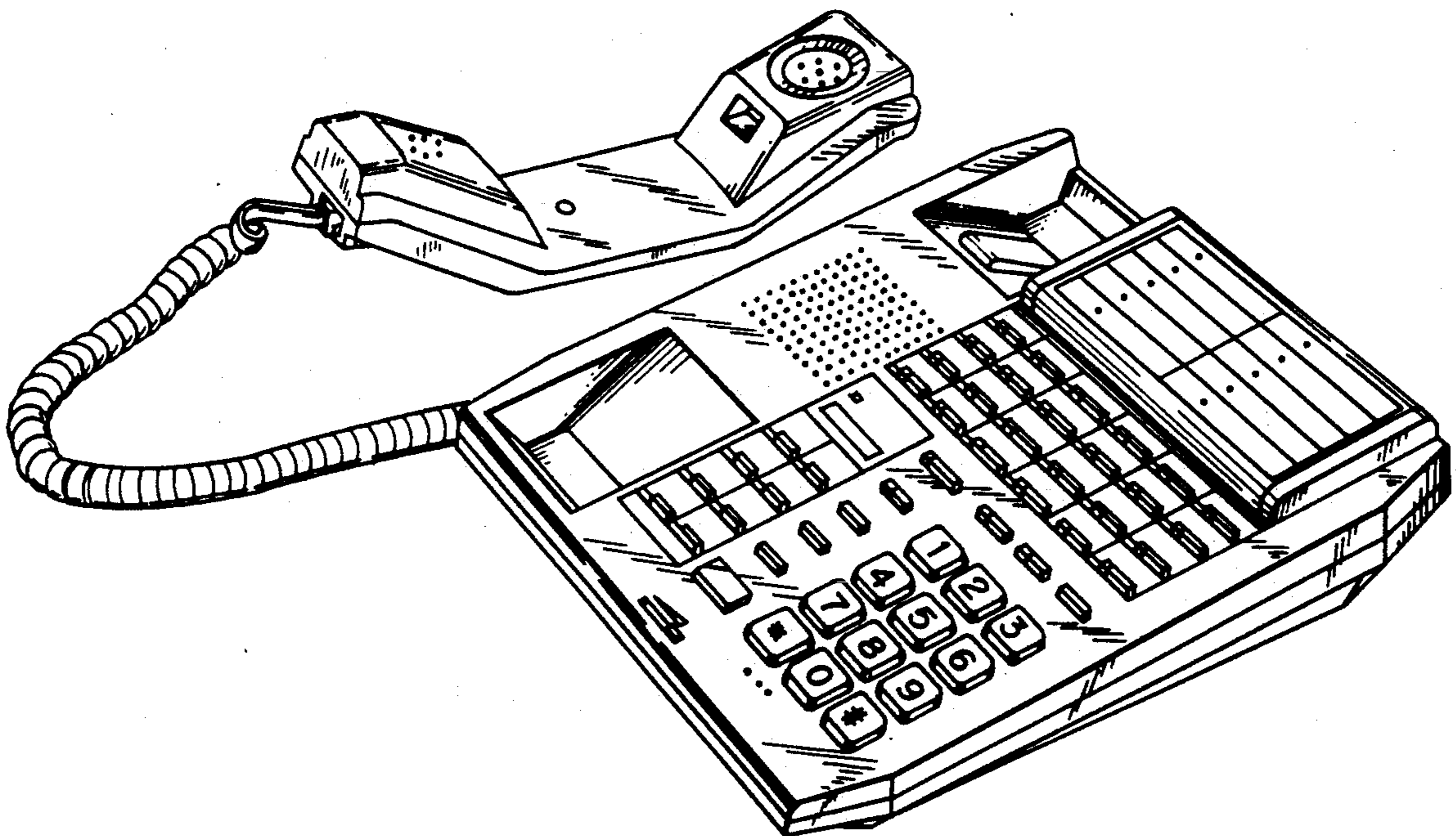


Fig. 1

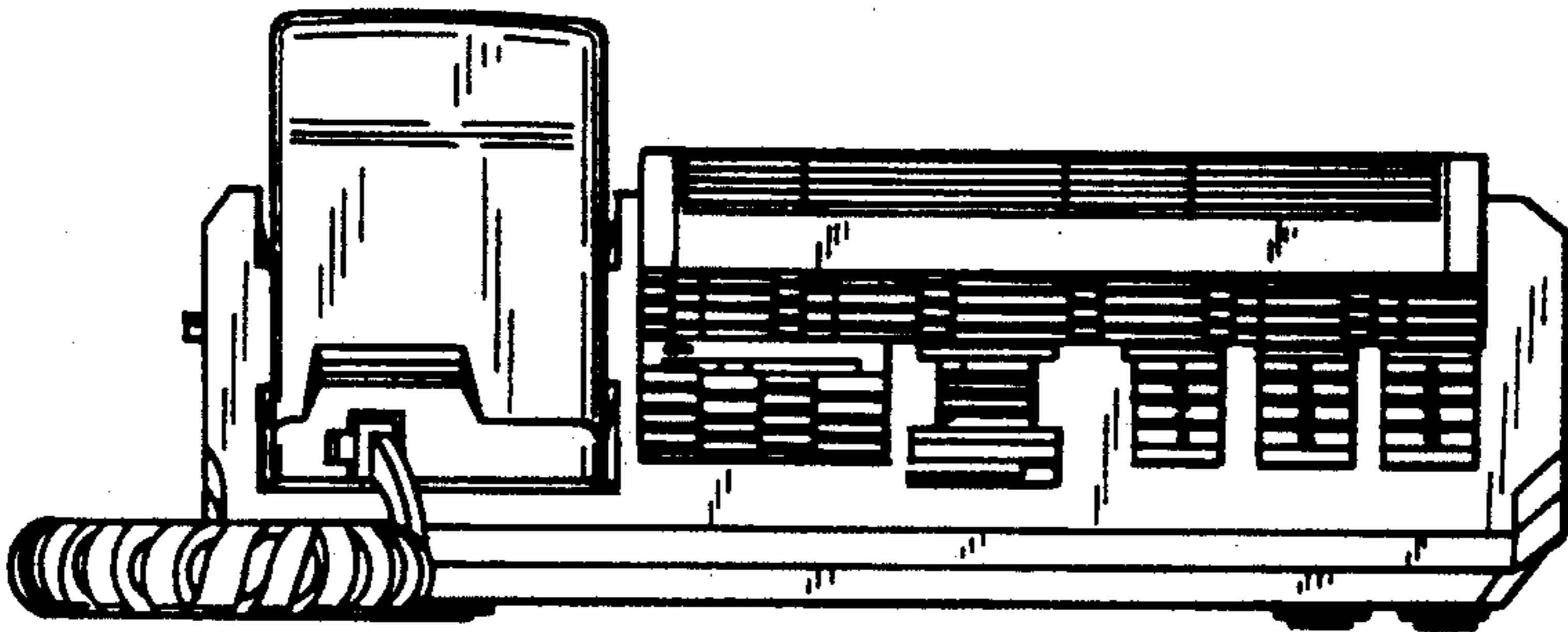


Fig. 2

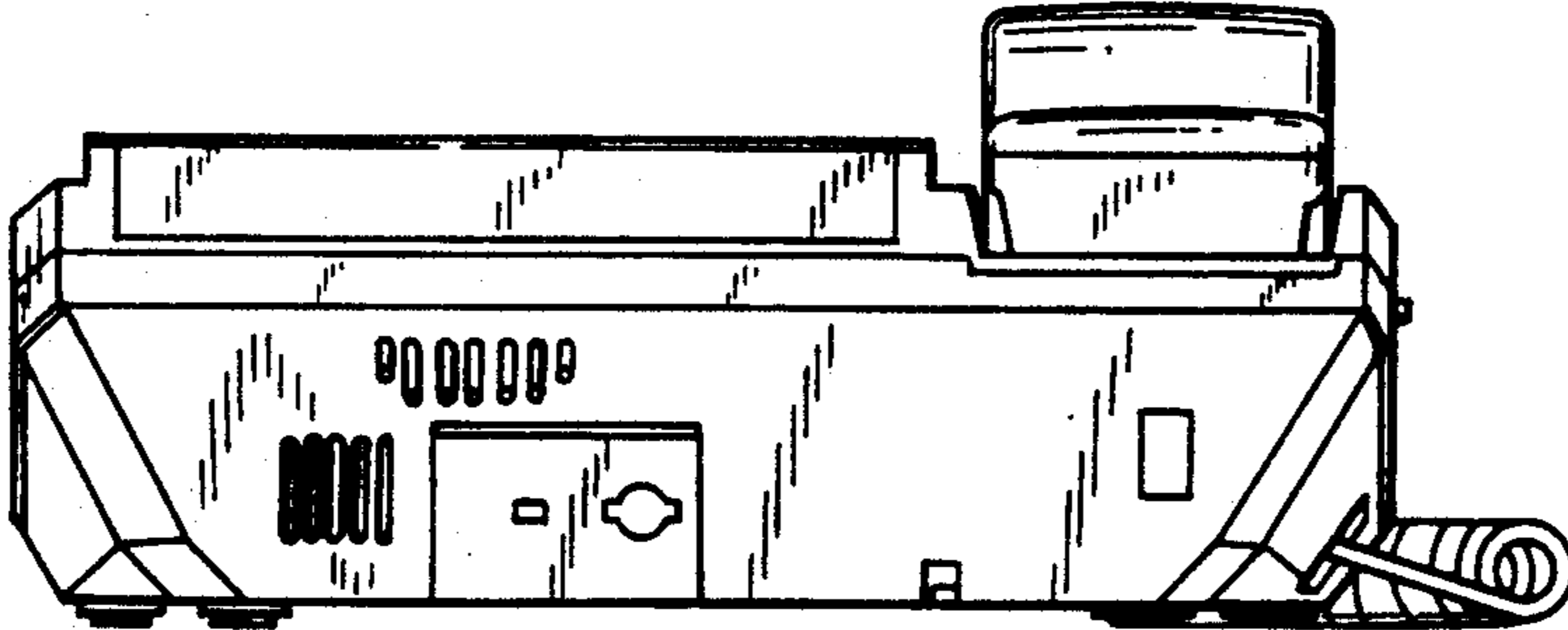


Fig. 3

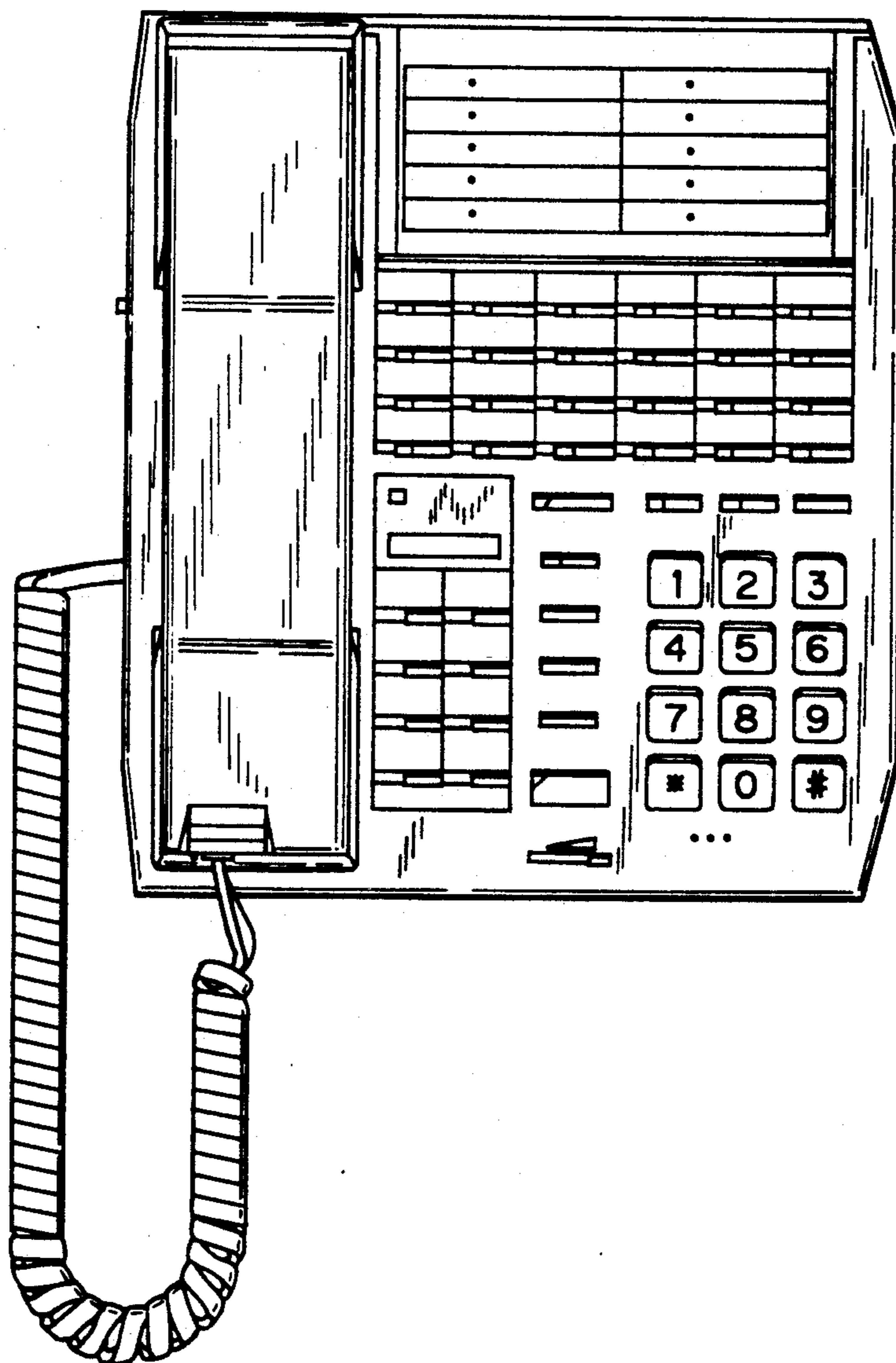


Fig. 4

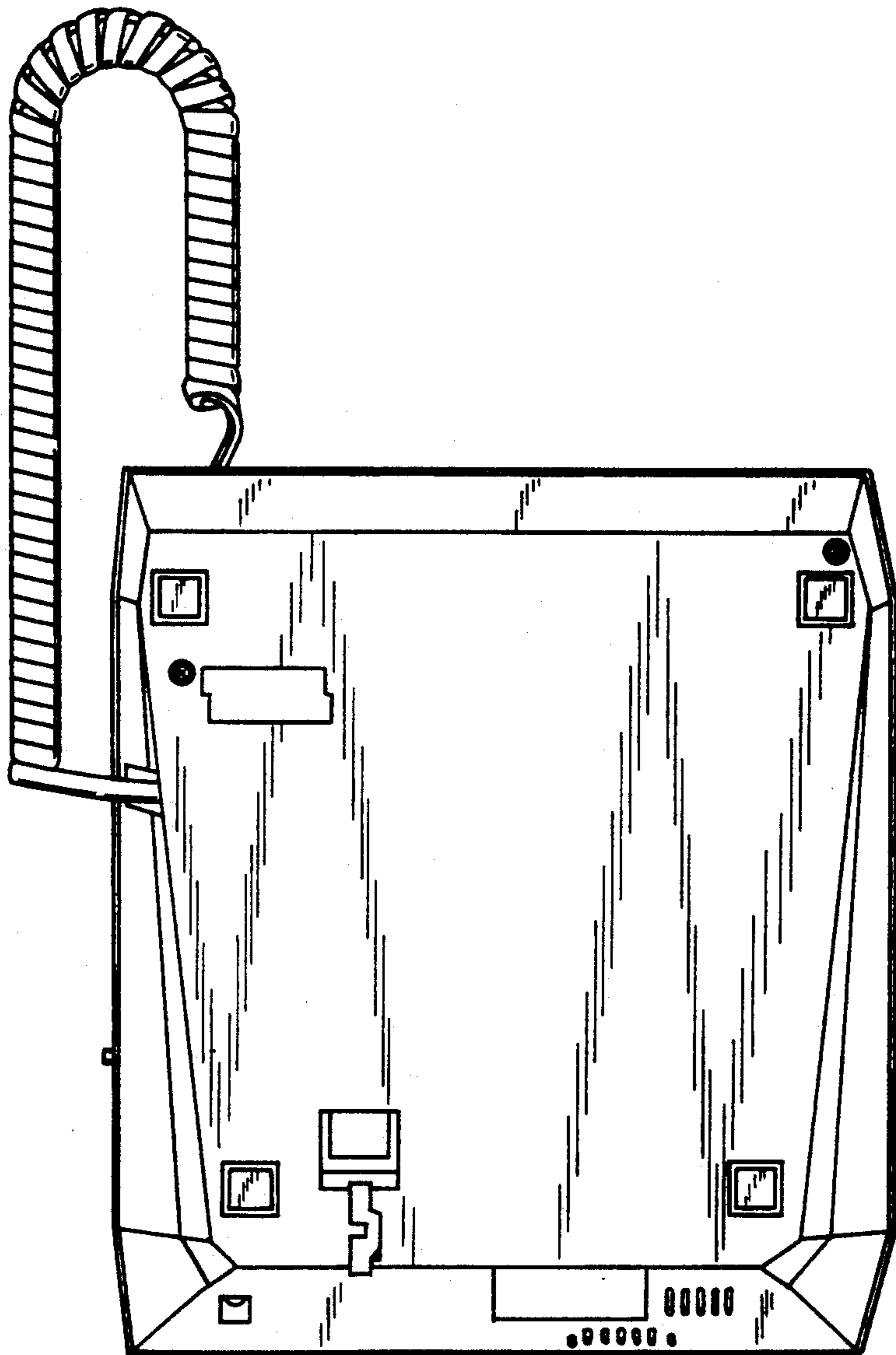


Fig. 5

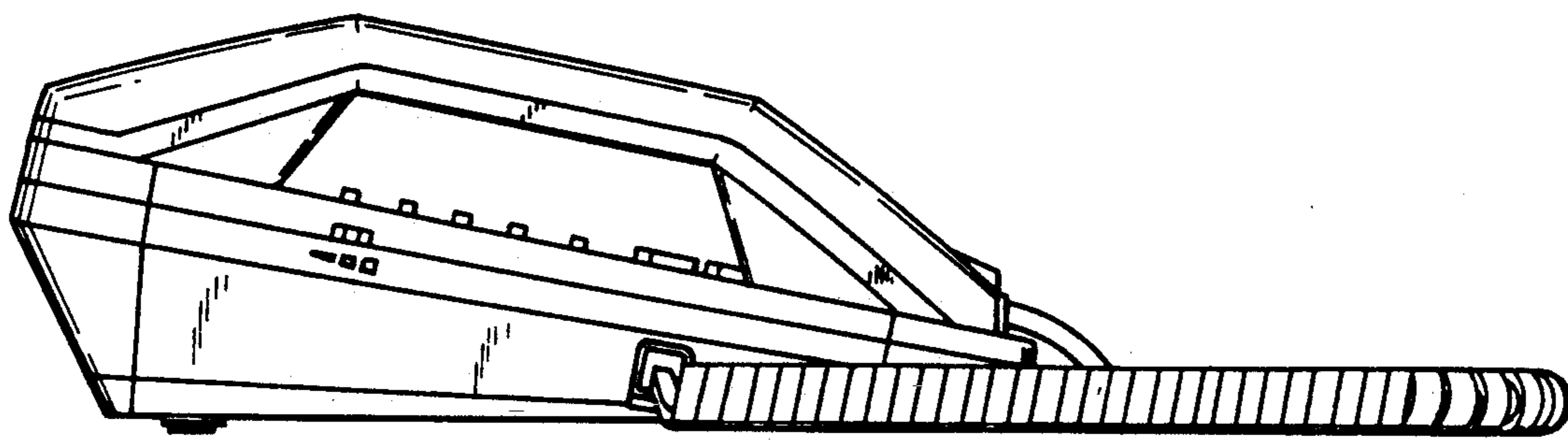


Fig. 6

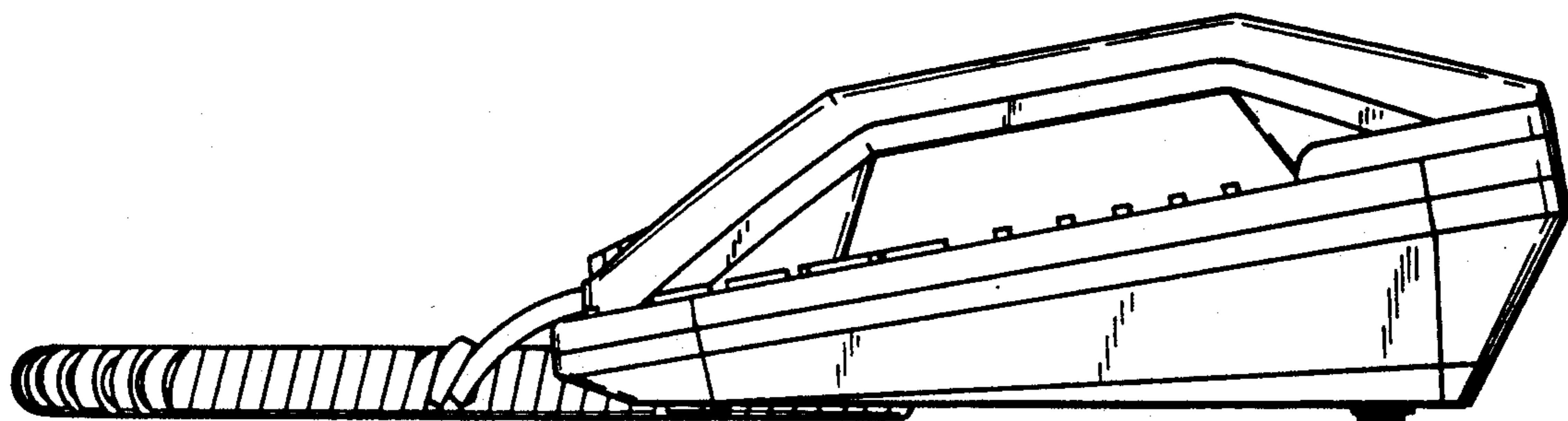


Fig. 7

