



US00D337583S

United States Patent [19]

[11] Patent Number: **Des. 337,583**

Barber et al.

[45] Date of Patent: **** Jul. 20, 1993**

[54] **CURING OVEN FOR PHOTOPOLYMERIZATION**

4,839,521 6/1989 Oppawsky 250/492.1 X
4,900,388 2/1990 Wyslowsky 250/492.1 X

[75] Inventors: **Duane E. Barber, Shrewsbury; Eric A. Schneider, Philadelphia; Edward A. Spector, Glenside, all of Pa.**

Primary Examiner—Alan P. Douglas
Assistant Examiner—A. D. Davis
Attorney, Agent, or Firm—Dale R. Lovercheck; Edward J. Hanson, Jr.

[73] Assignee: **Dentsply Research & Development Corp., Milford, Del.**

[57] CLAIM

[**] Term: **14 Years**

The ornamental design for a curing oven for photopolymerization, as shown and described.

[21] Appl. No.: **693,276**

DESCRIPTION

[22] Filed: **Apr. 30, 1991**

[52] U.S. Cl. **D15/144.1**

[58] Field of Search **D15/144.1, 144.2; 250/492.1, 504 R**

FIG. 1 is a top plan view of a curing oven for photopolymerization showing our new design;
FIG. 2 is a bottom plan view;
FIG. 3 is a front elevational view;
FIG. 4 is a rear elevational view;
FIG. 5 is a right side elevational view;
FIG. 6 is a left side elevational view; and,
FIG. 7 is a perspective view thereof, shown with the door in any open position.

[56] References Cited

U.S. PATENT DOCUMENTS

D. 308,976 7/1990 Gonser D15/144.1
4,546,261 10/1985 Gonser et al. 250/492.1
4,582,998 4/1986 Gonser et al. 250/492.1
4,694,180 9/1987 Salisbury et al. 250/492.1 X

The broken line showing of a fragmented electrical cord is for illustrative purposes only and forms no part of the claimed design.

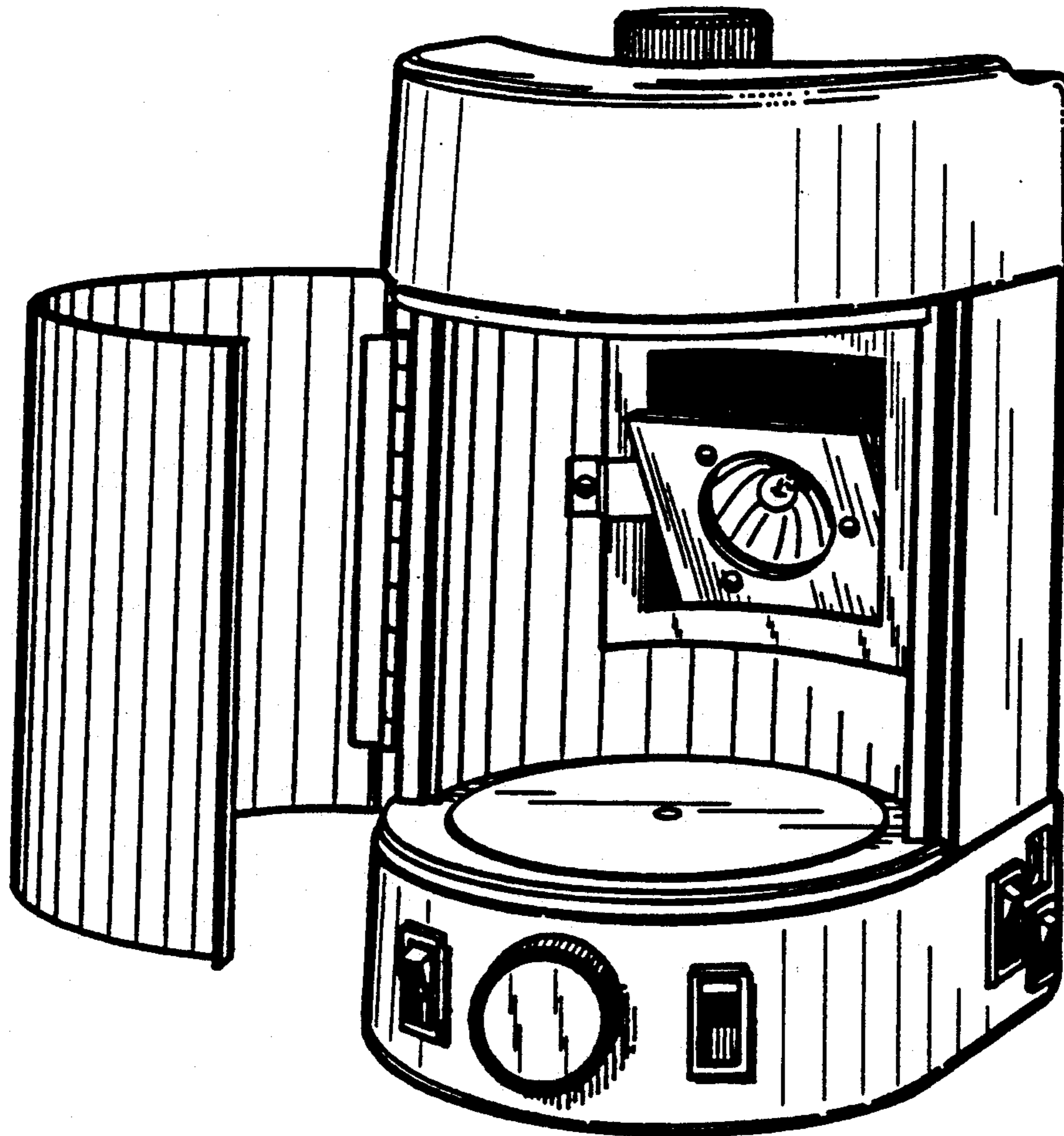
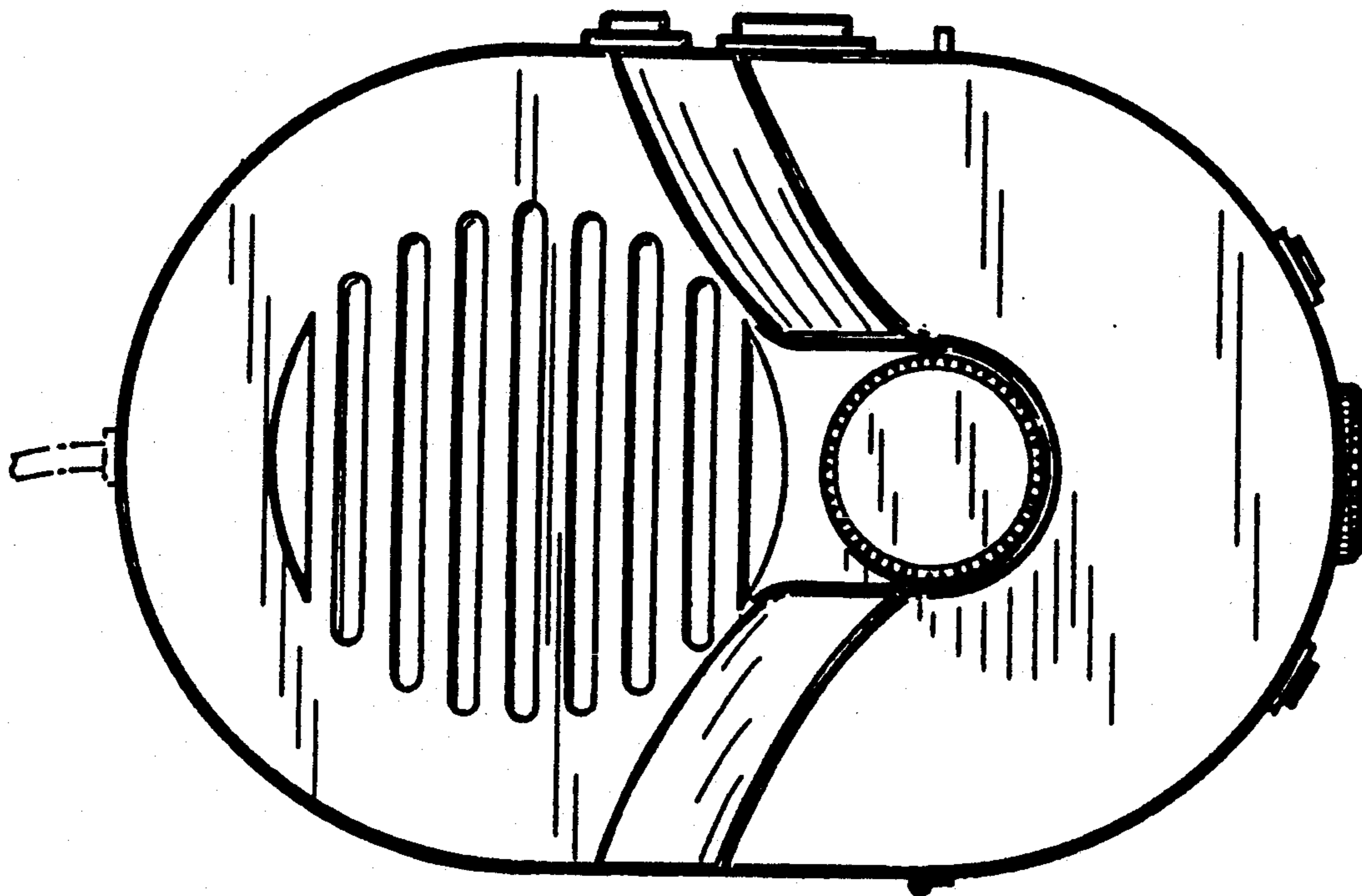
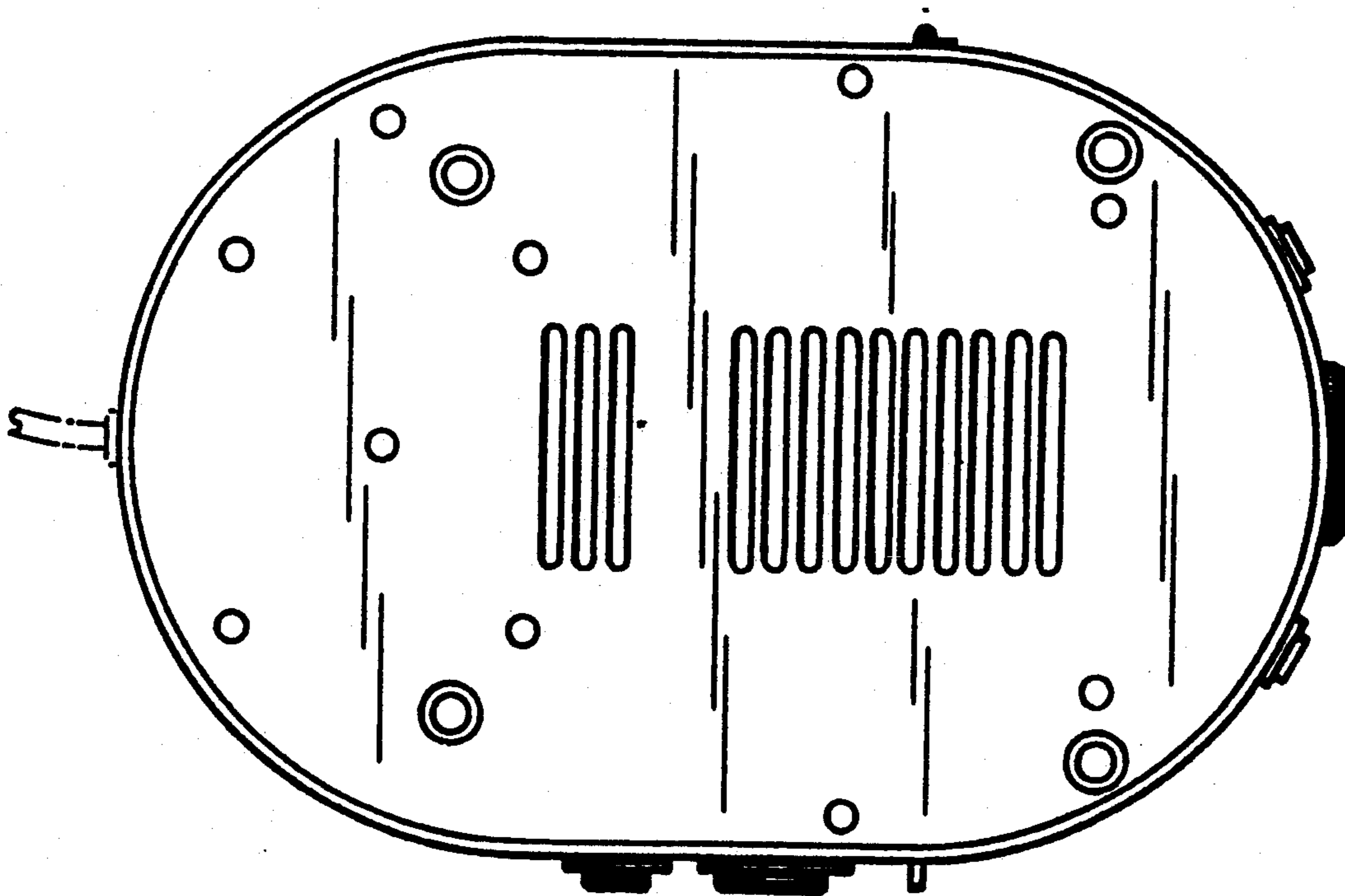


Fig. 1



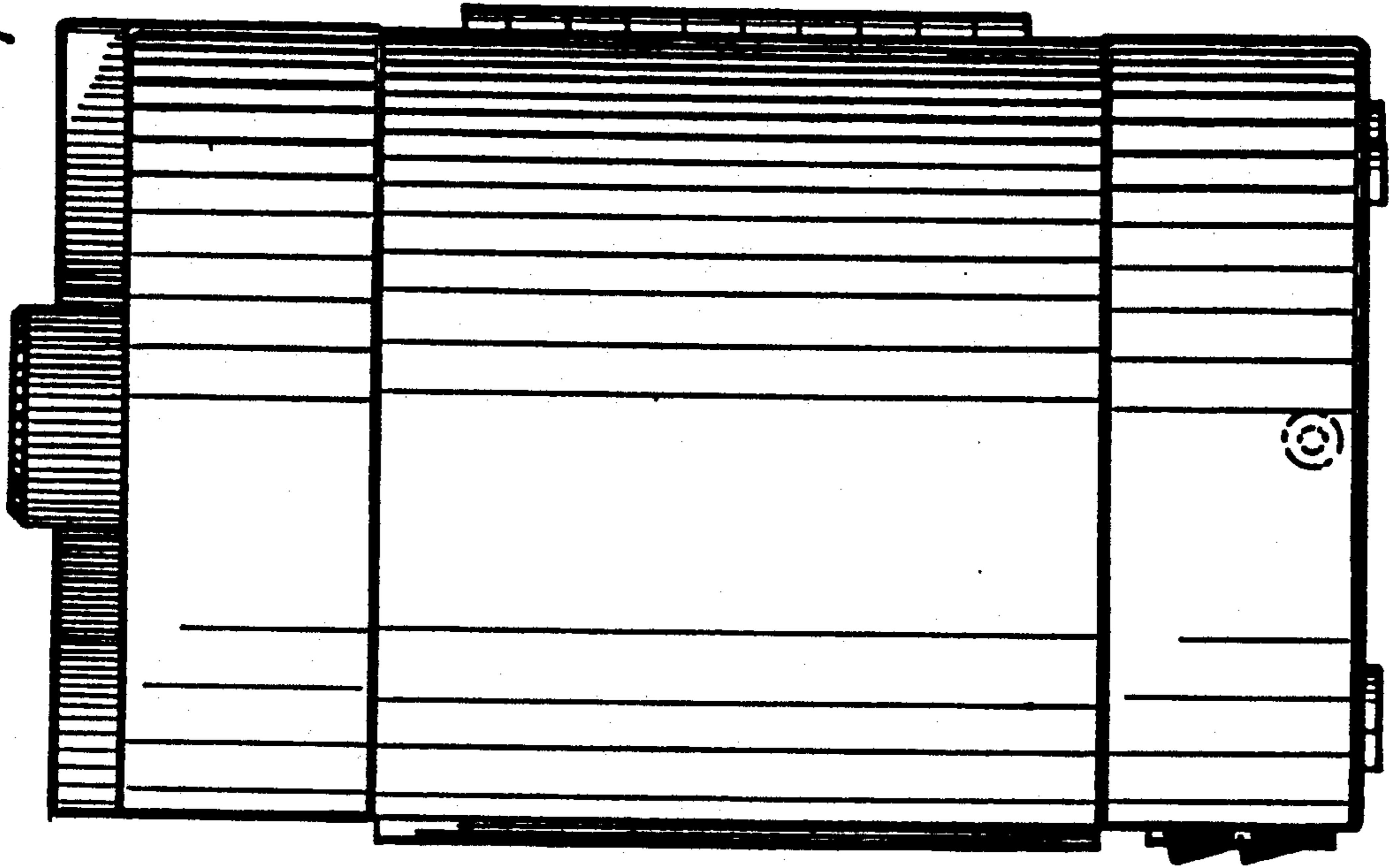
© 1991 DENTSPLY INTERNATIONAL INC.

Fig. 2



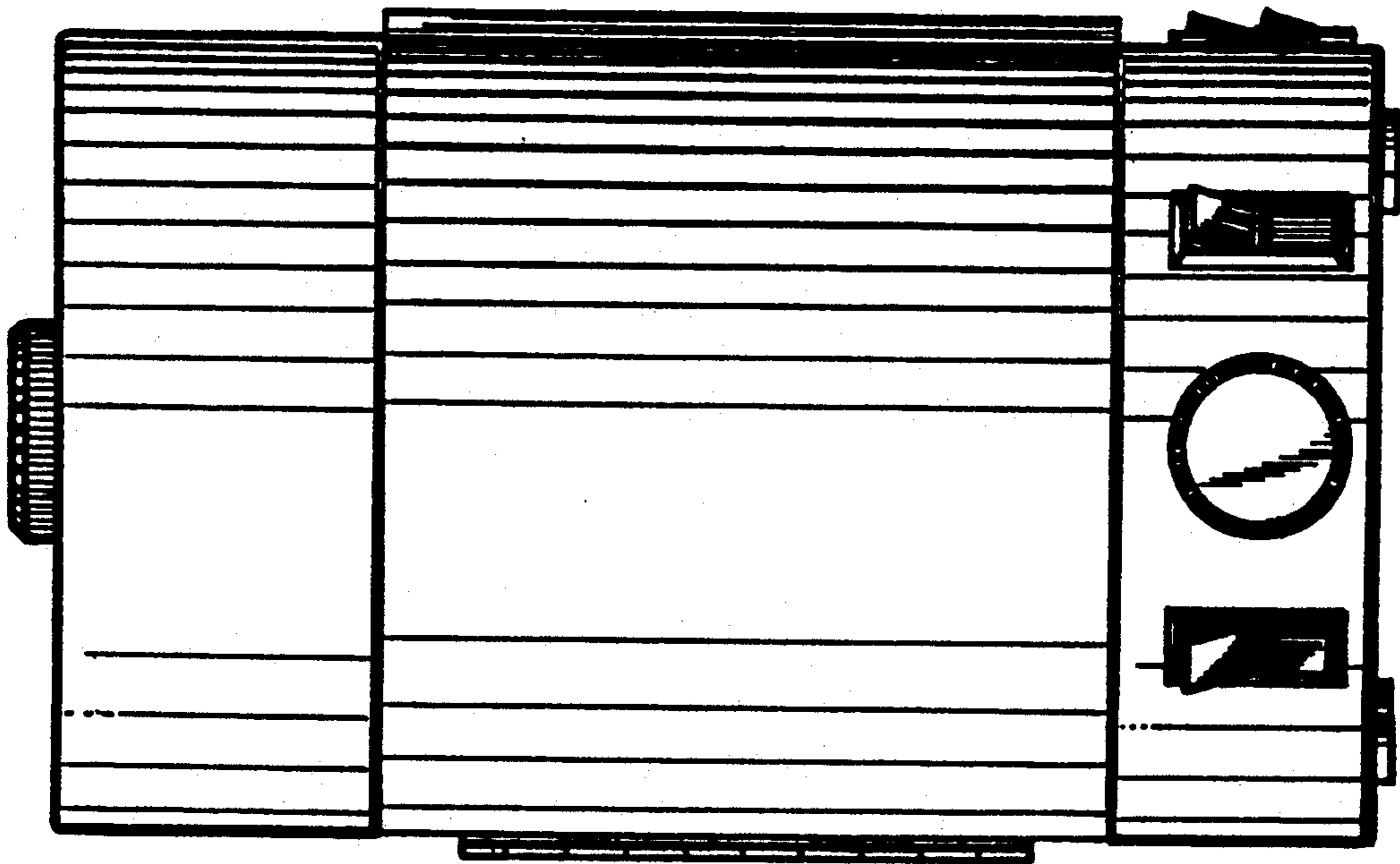
© 1991 DENTSPLY INTERNATIONAL INC.

Fig. 4



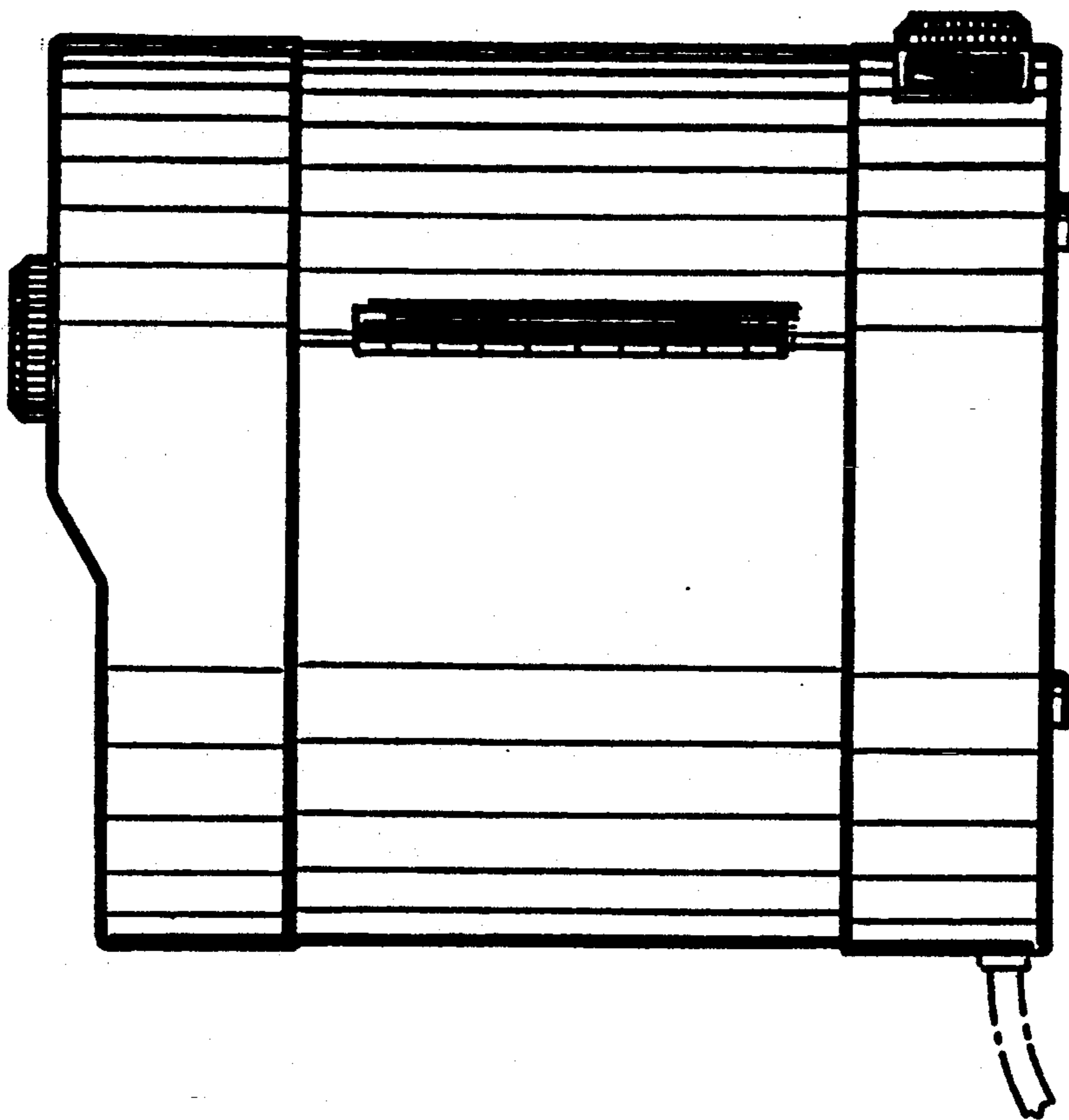
© 1991 DENTSPLY INTERNATIONAL INC.

Fig. 3



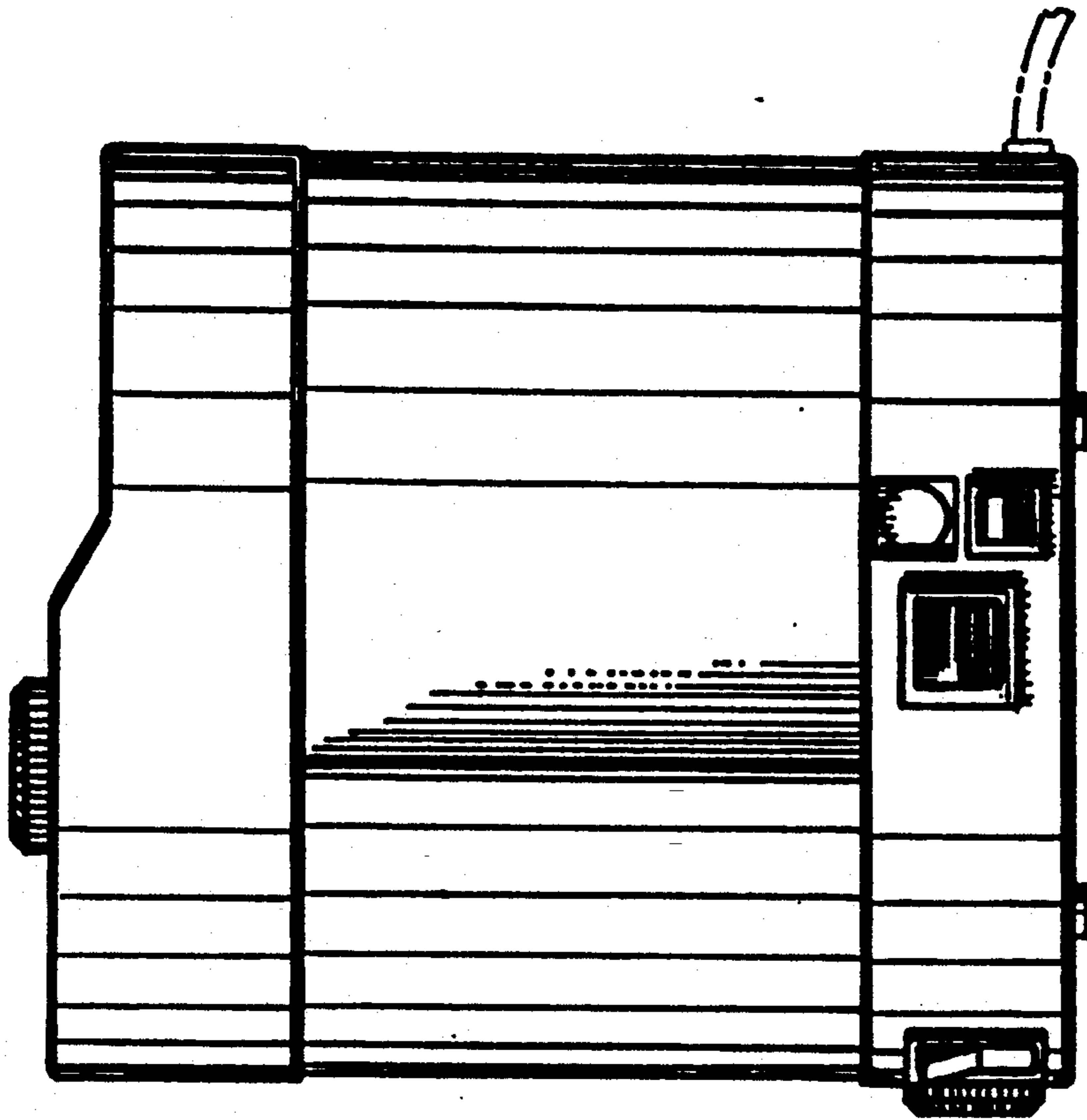
© 1991 DENTSPLY INTERNATIONAL INC.

Fig. 5



© 1991 DENTSPLY INTERNATIONAL INC.

Fig. 6



© 1991 DENTSPLY INTERNATIONAL INC.

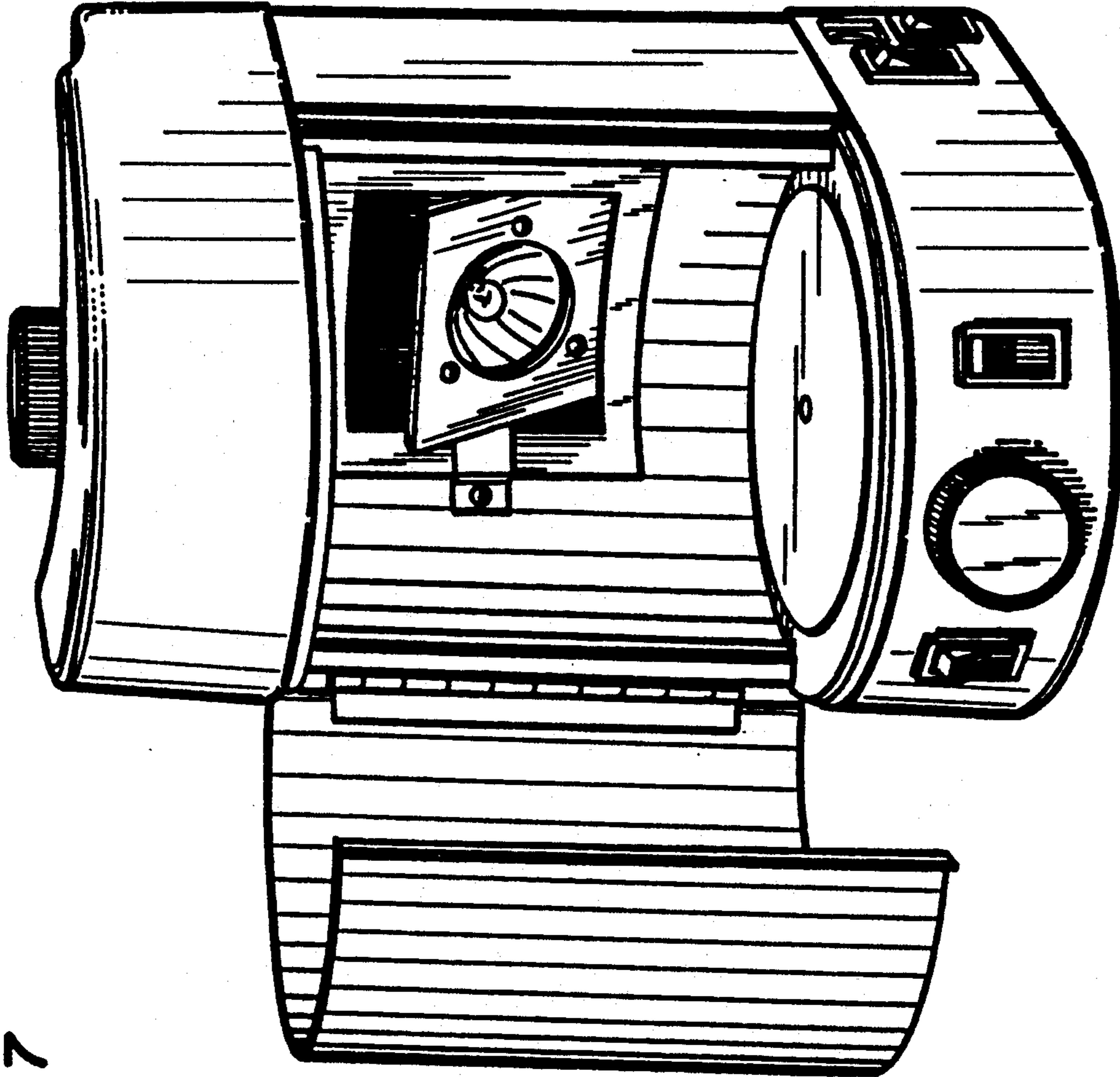


Fig. 7

© 1991 DENTSPLY INTERNATIONAL INC.