



US00D337578S

United States Patent [19]

Nagele

[11] Patent Number: **Des. 337,578**

[45] Date of Patent: **** Jul. 20, 1993**

[54] **SECURE FACSIMILE MACHINE**
 [75] Inventor: **Albert L. Nagele, Wilmette, Ill.**
 [73] Assignee: **Motorola, Inc., Schaumburg, Ill.**
 [**] Term: **14 Years**
 [21] Appl. No.: **850,054**
 [22] Filed: **Mar. 11, 1992**
 [52] U.S. Cl. **D14/118**
 [58] Field of Search **D14/118, 124, 299;**
 D18/36, 37, 40; 358/400, 401

D. 293,240 12/1987 Hashimoto D14/118
 D. 312,079 11/1990 Komatsu D14/118
 D. 330,200 10/1992 Cheung D14/118

Primary Examiner—Theodore M. Shooman
Attorney, Agent, or Firm—James A. Coffing; Steven G. Parmelee

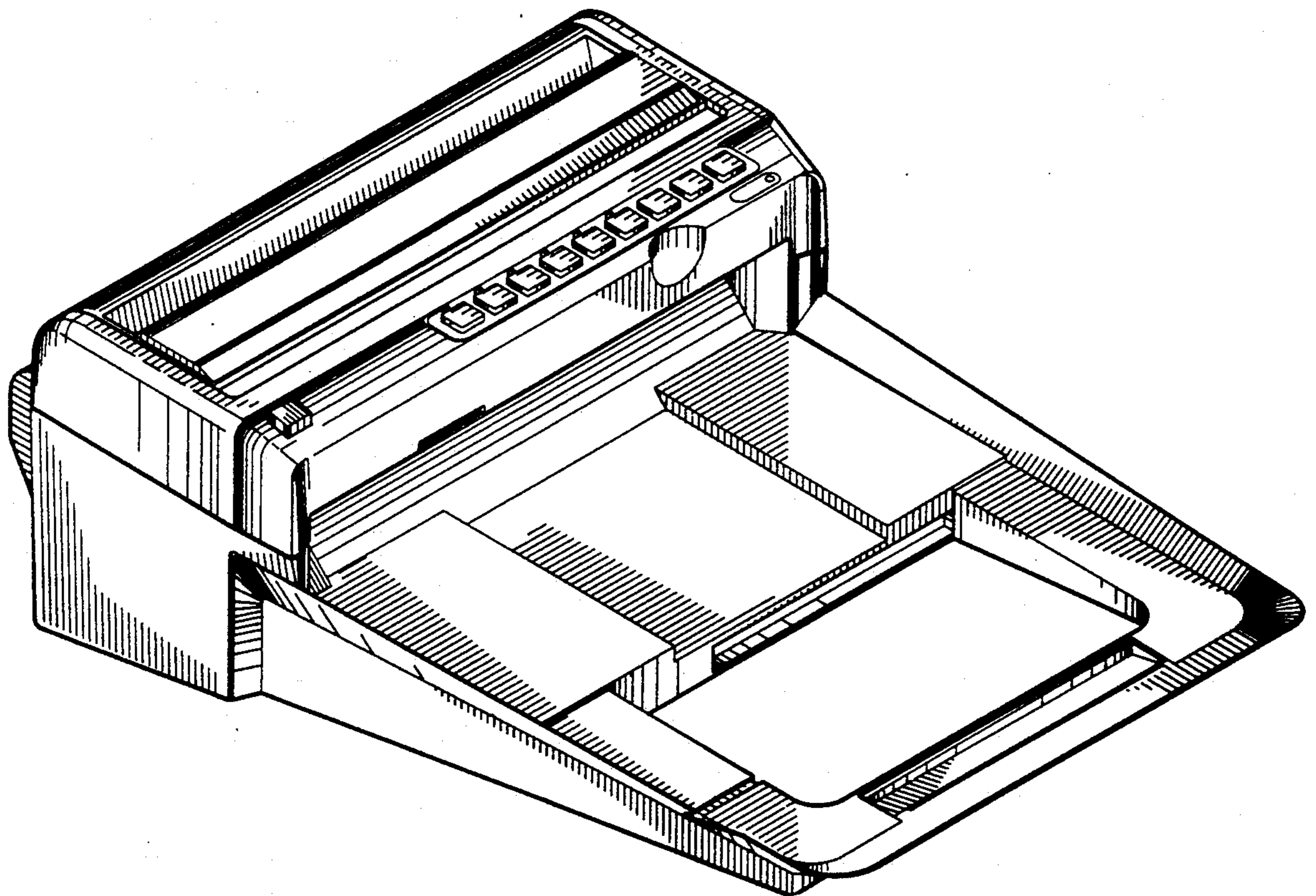
[57] CLAIM

The ornamental design for a secure facsimile machine, as shown and described.

DESCRIPTION

FIG. 1 is a front, top, and left side perspective view showing our new design for a secure facsimile machine; FIG. 2 is a rear elevational view thereof; FIG. 3 is a right elevational view thereof; and, FIG. 4 is a bottom plan view thereof.

[56] **References Cited**
U.S. PATENT DOCUMENTS
 D. 263,831 4/1982 Barbera et al. D14/118
 D. 264,846 6/1982 Taguchi D14/118



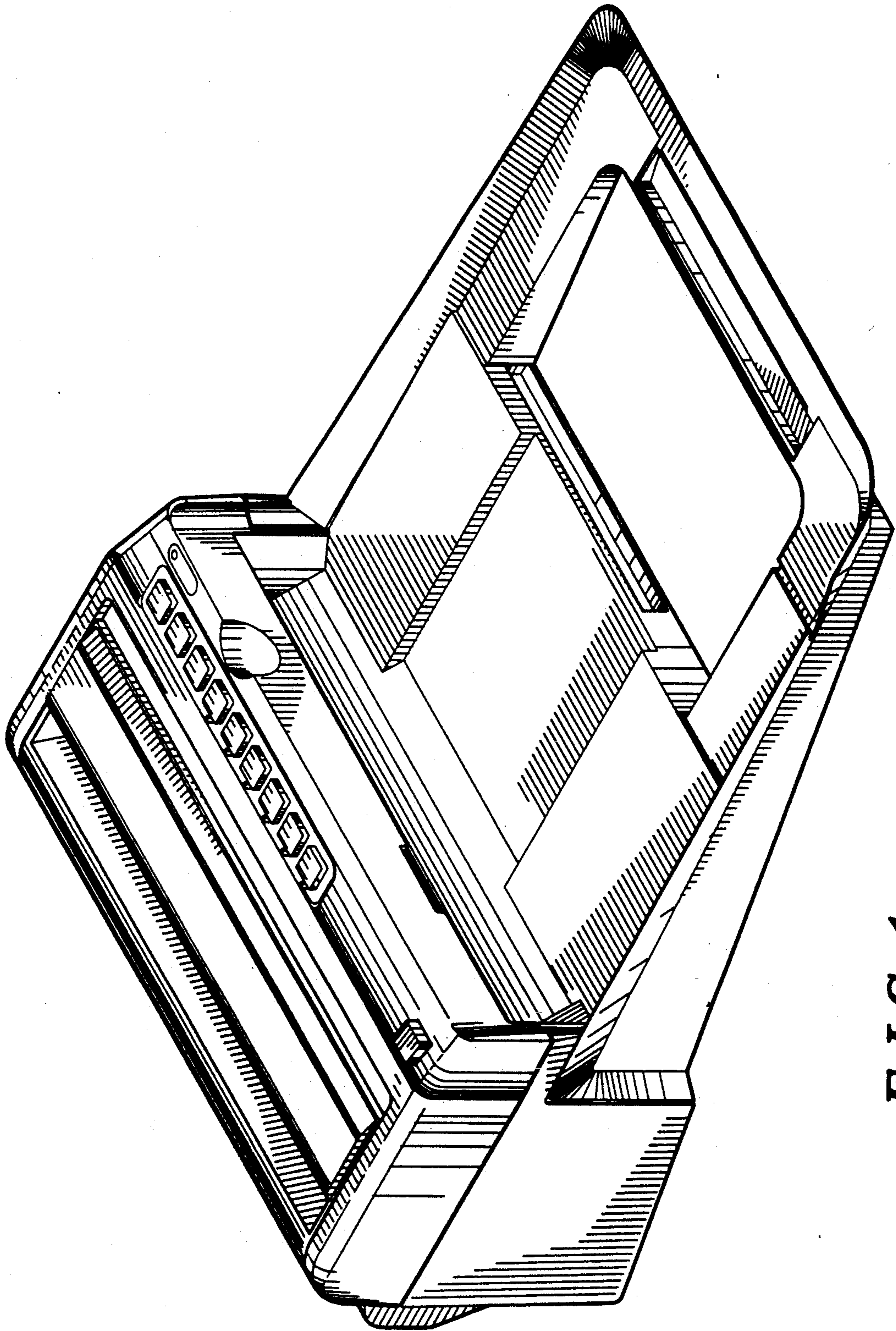


FIG. 1

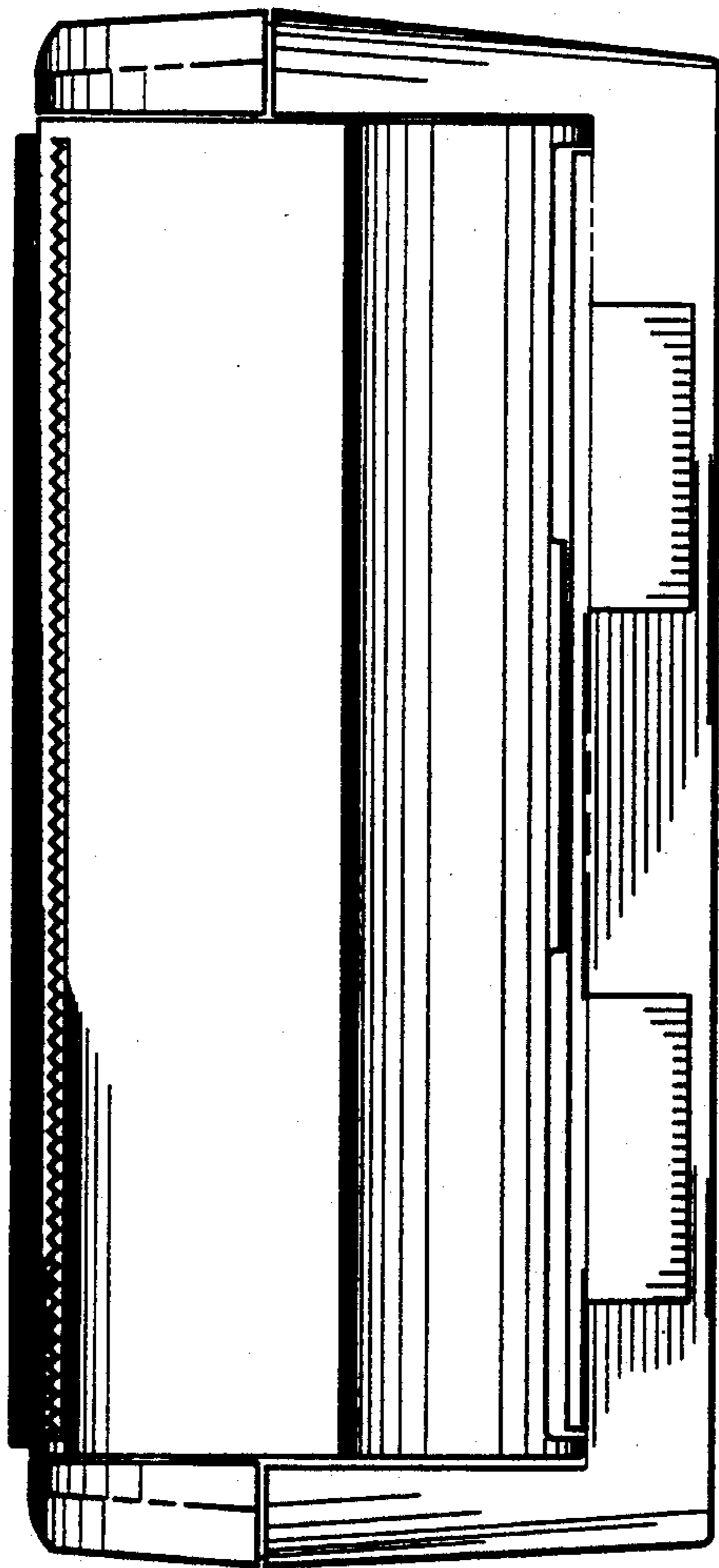


FIG. 2

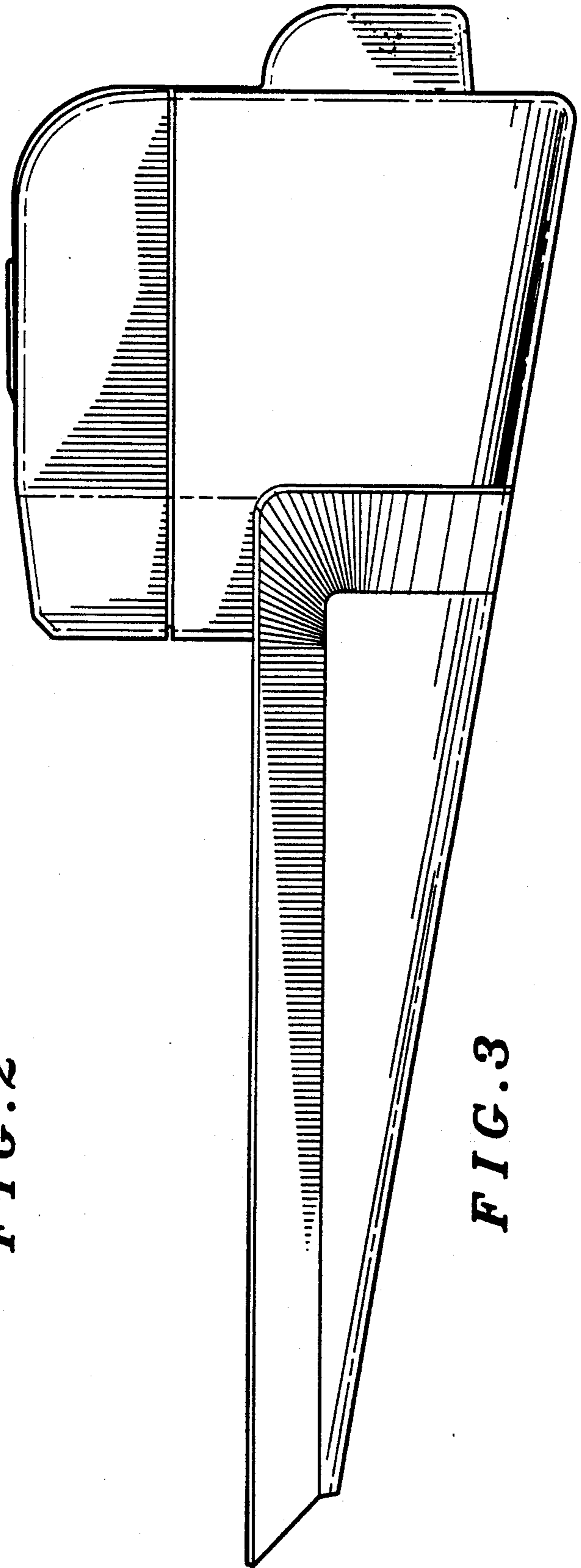


FIG. 3

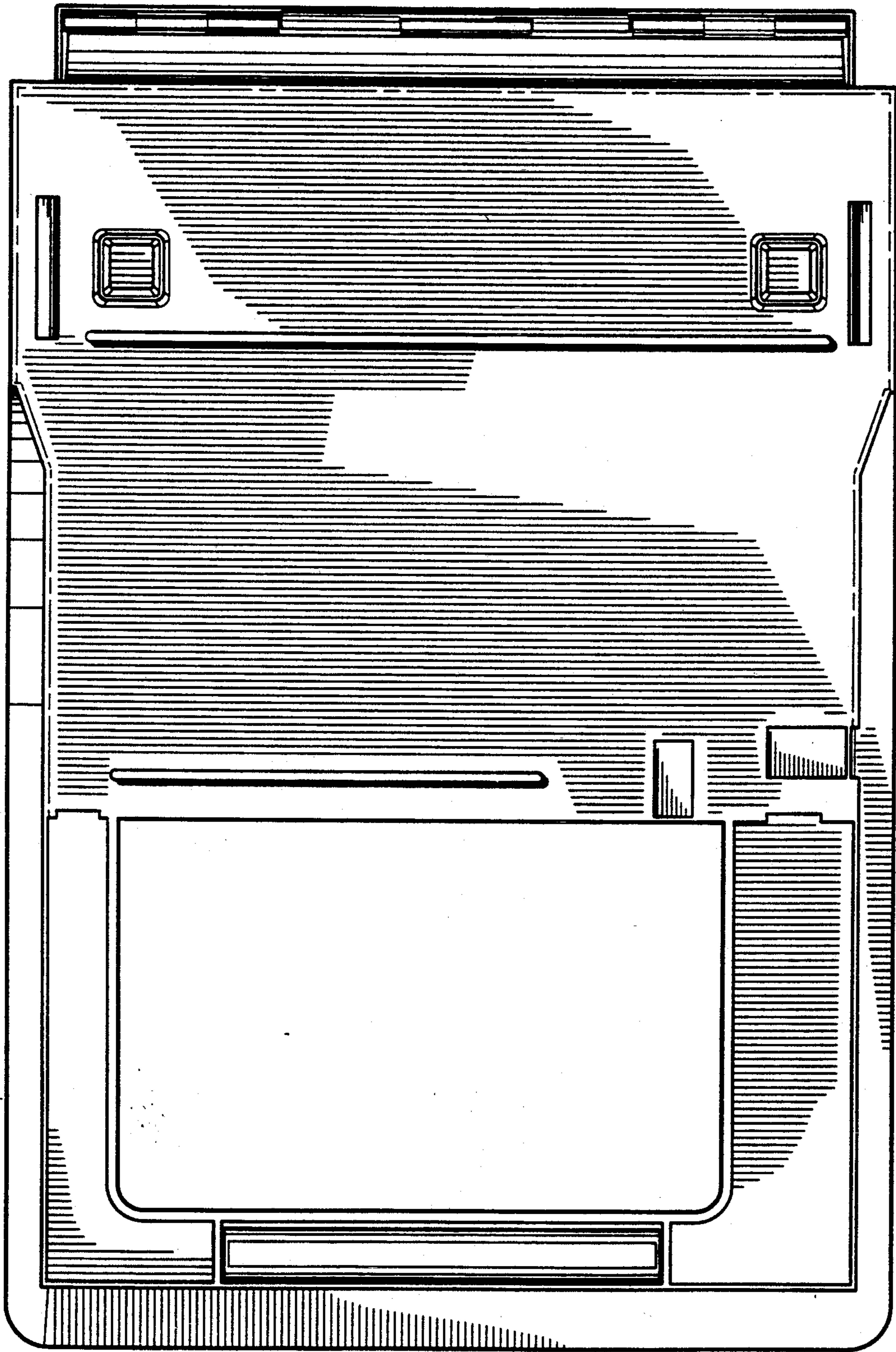


FIG. 4