



US00D337568S

United States Patent [19]

[11] Patent Number: Des. 337,568

Ellis

[45] Date of Patent: ** Jul. 20, 1993

[54] **CASE FOR COMPUTER GAME CARTRIDGE**

[75] Inventor: **Stuart Ellis**, Leamington Spa, England

[73] Assignee: **The Codemasters Software Company Limited**, Warwickshire, England

[**] Term: **14 Years**

[21] Appl. No.: **792,086**

[22] Filed: **Nov. 8, 1991**

[30] **Foreign Application Priority Data**

May 13, 1991 [GB] United Kingdom 214726

[52] U.S. Cl. **D14/121; D14/114**

[58] Field of Search **D14/114, 120-122, D14/299; 242/55.1 A, 197-200; 273/DIG. 28, 85 G**

[56] **References Cited**

U.S. PATENT DOCUMENTS

D. 292,399 10/1987 Yukawa D14/114
D. 312,081 11/1990 Yukawa D14/121

D. 316,089 4/1991 Nakauma D14/121
D. 318,273 7/1991 Takaichi D14/121
4,865,321 9/1989 Nakagawa et al. 273/DIG. 28 X

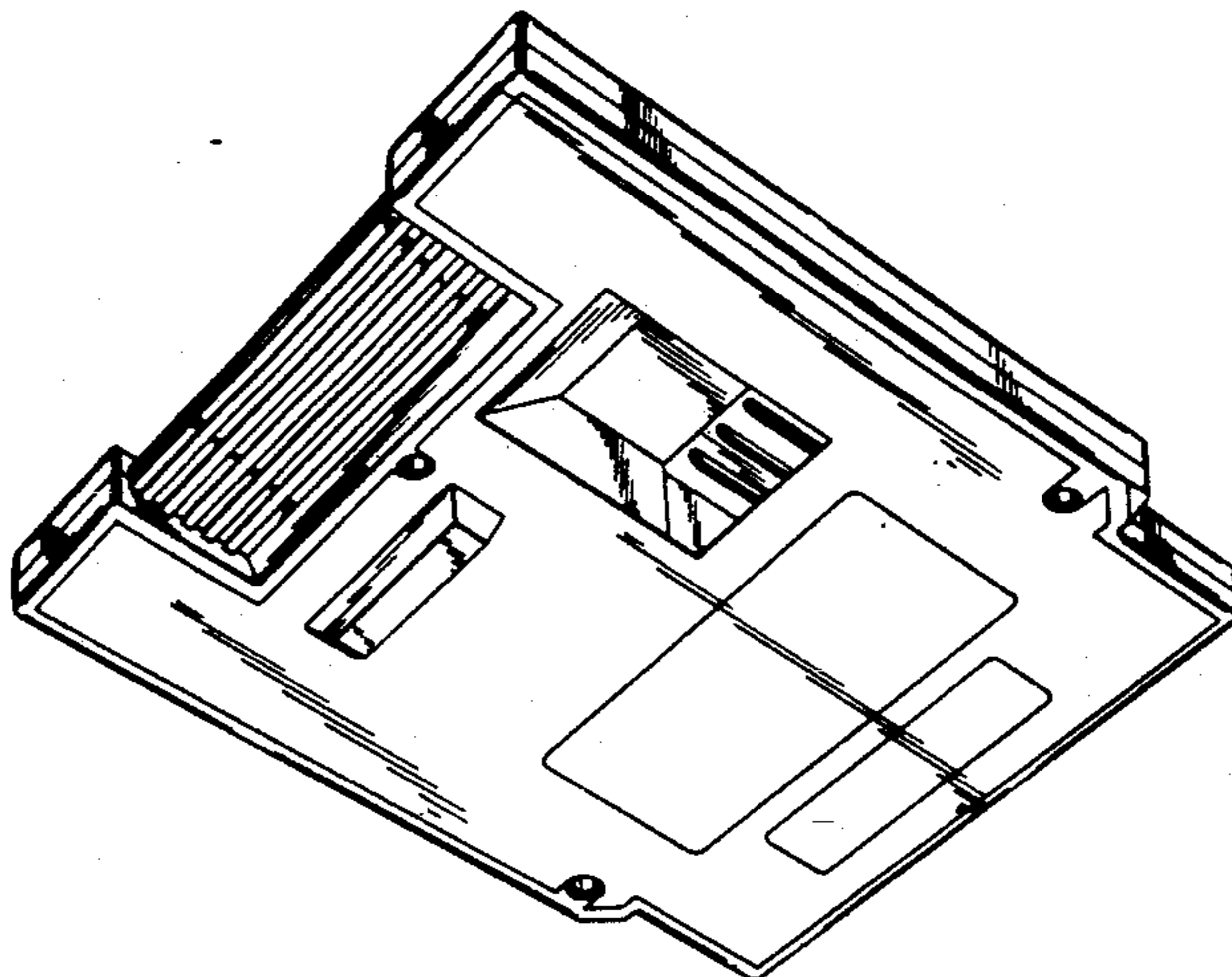
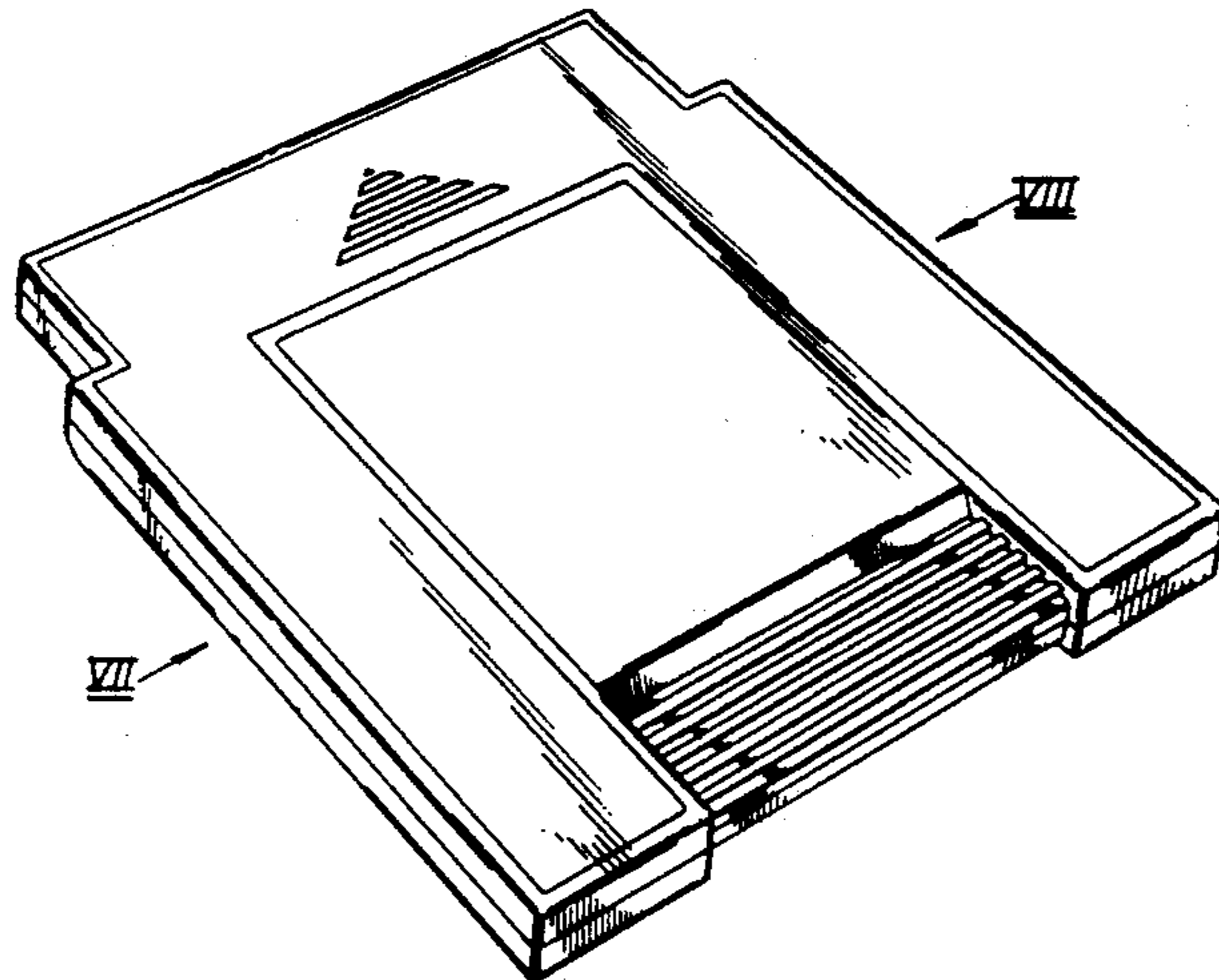
Primary Examiner—Theodore M. Shooman
Attorney, Agent, or Firm—Leydig, Voit & Mayer

[57] **CLAIM**

The ornamental design for a case for a computer game cartridge, as shown.

DESCRIPTION

FIG. 1 is a perspective view from above of the case for a computer game cartridge;
FIG. 2 is a top plan view of the case;
FIG. 3 is a perspective view from underneath of the case;
FIG. 4 is a bottom plan view of the case;
FIG. 5 is a view of one end of the case;
FIG. 6 is a view of the opposite end of the case;
FIG. 7 is a view of one side of the case, referenced VII in FIG. 1; and,
FIG. 8 is a view of the opposite side of the case, referenced VIII in FIG. 1.



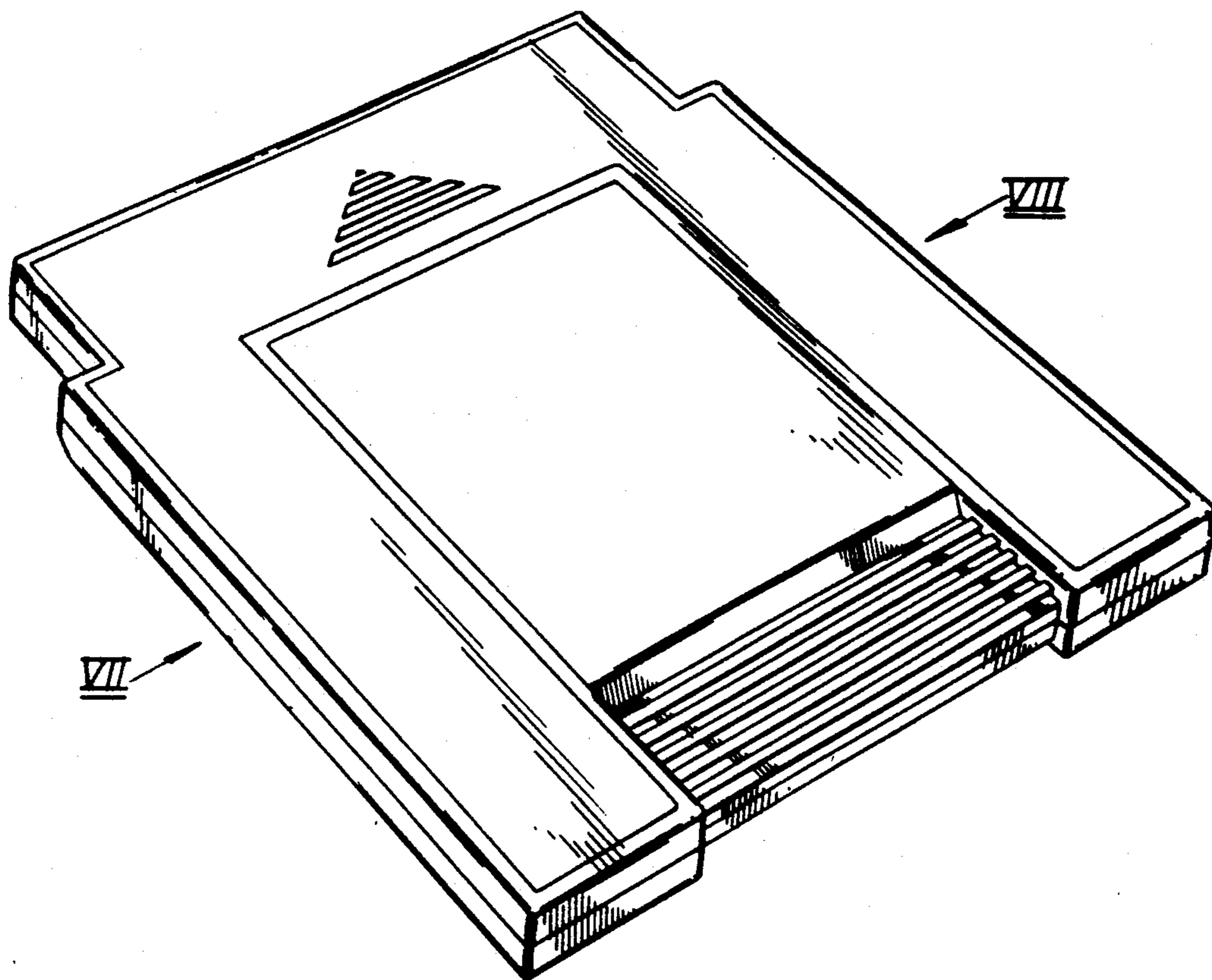


Fig. 1.

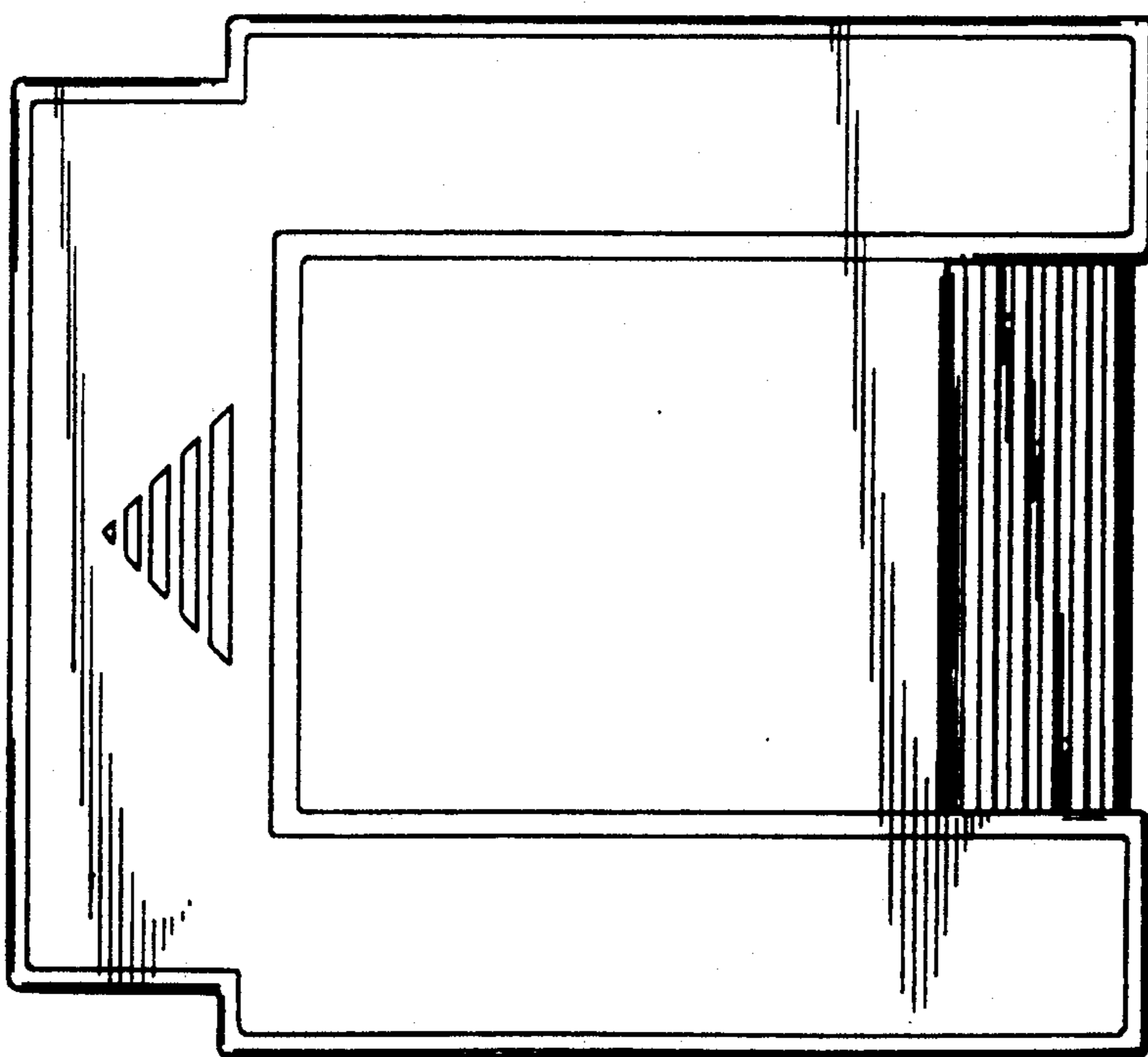


Fig. 2.

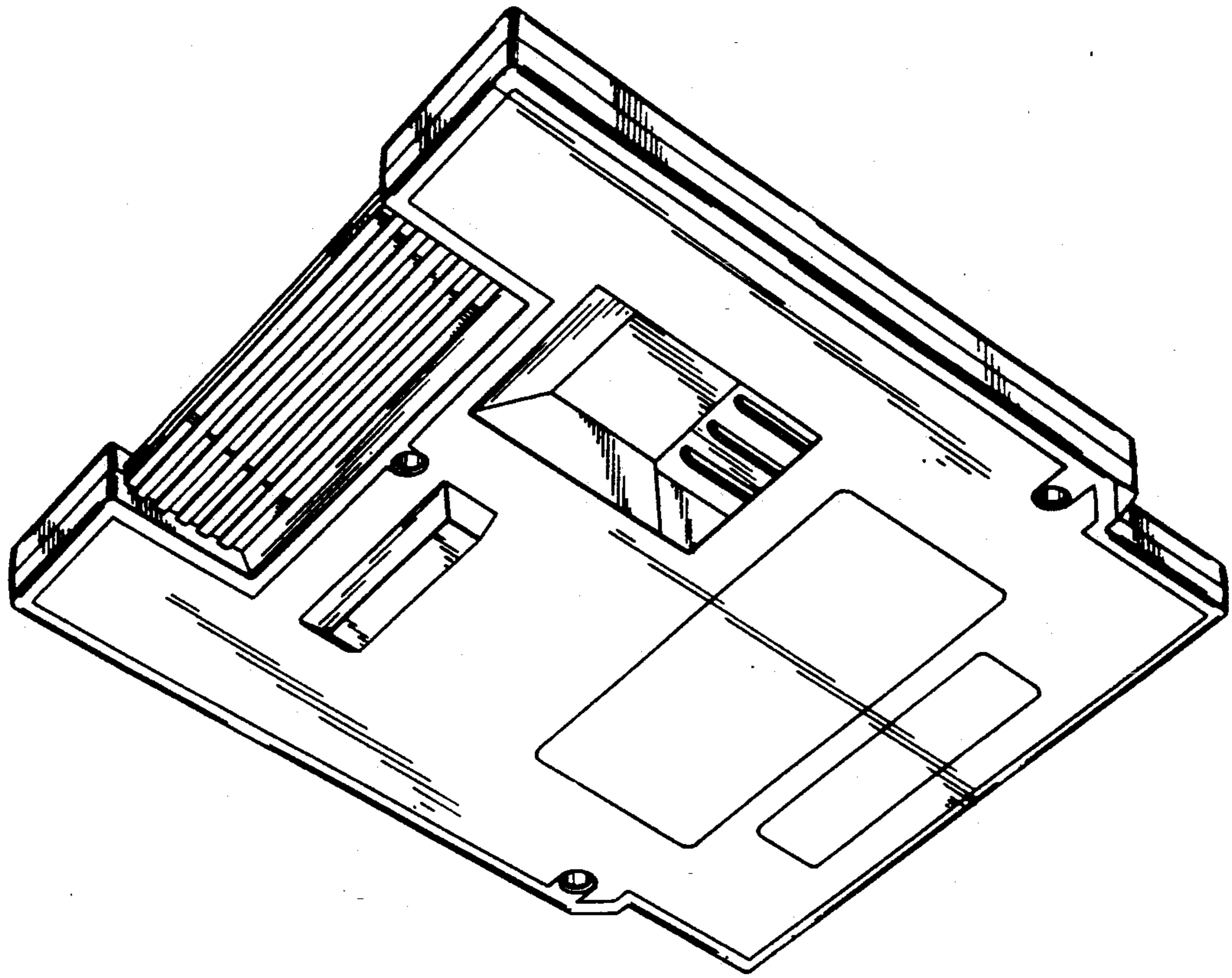


Fig. 3.

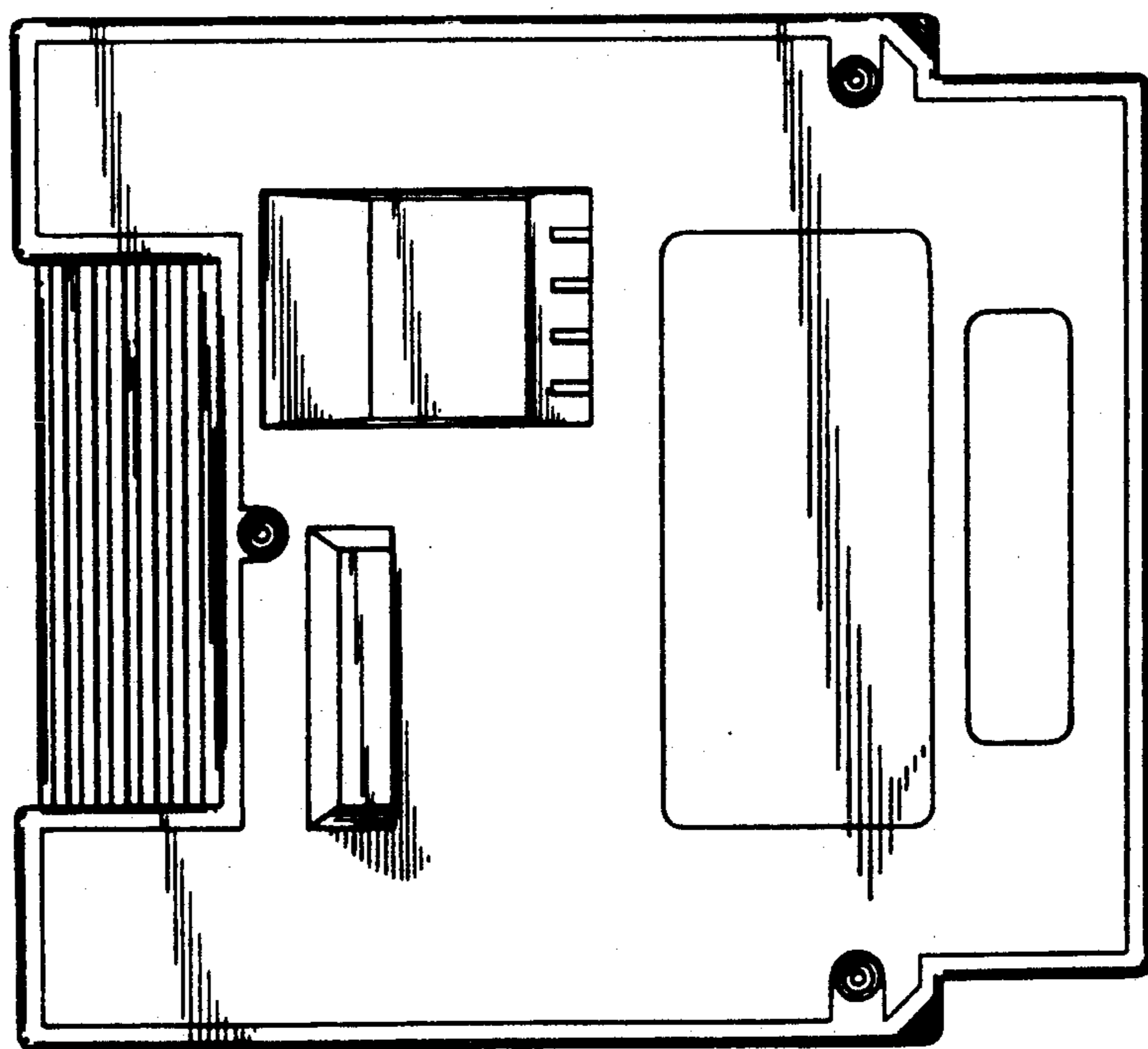


Fig. 4.

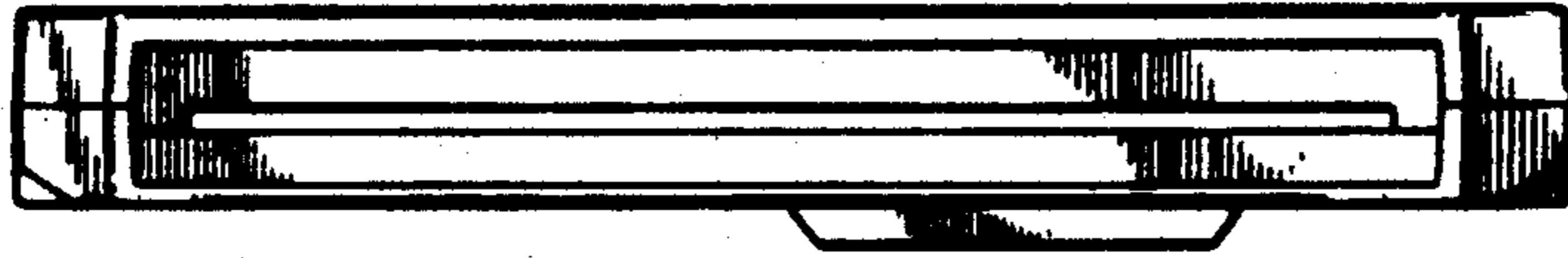


Fig. 5.

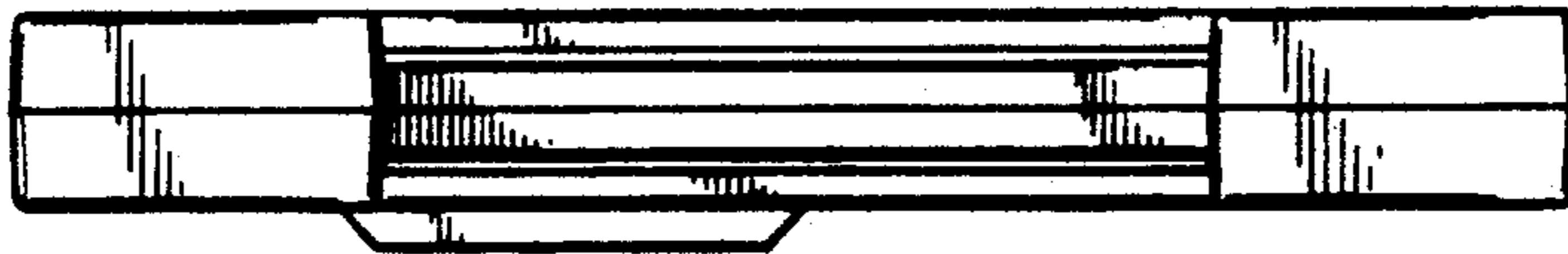


Fig. 6.

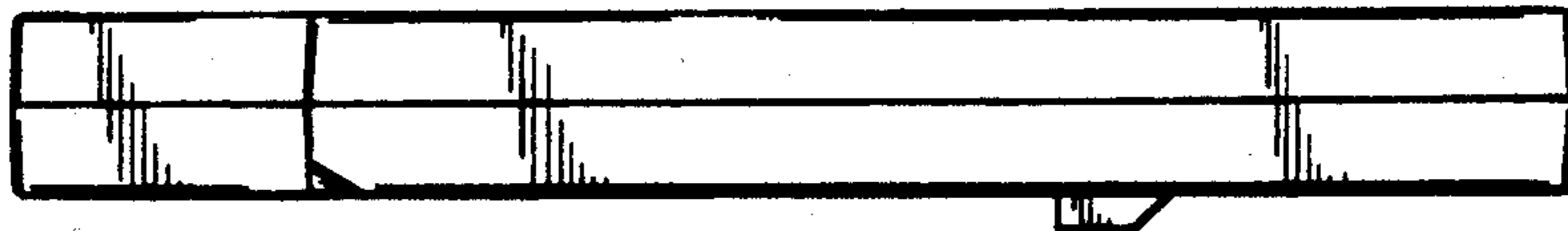


Fig. 7.

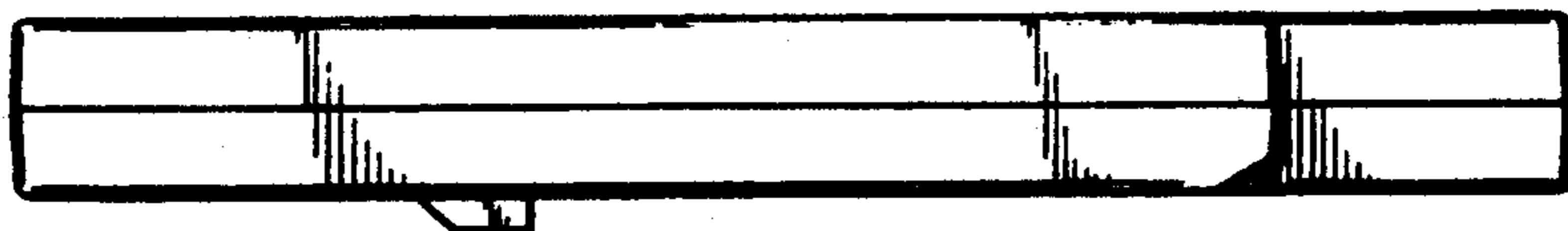


Fig. 8.