



US00D337559S

United States Patent [19]

[11] Patent Number: **Des. 337,559**

Steinke et al.

[45] Date of Patent: **** Jul. 20, 1993**

[54] **DISC BRAKE SHIM**

4,846,312 7/1989 Sweetmore et al. 188/73.1
4,926,978 3/1990 Shibata et al. 188/73.1

[75] Inventors: **Gustav J. Steinke; Starla D. Huffer,**
both of Lima, Ohio

Primary Examiner—Wallace R. Burke
Assistant Examiner—Melody N. Brown
Attorney, Agent, or Firm—Edgar A. Zarins; Malcolm L. Sutherland

[73] Assignee: **International Brake Industries, Inc.,**
Lima, Ohio

[**] Term: **14 Years**

[57] **CLAIM**

[21] Appl. No.: **797,610**

The ornamental design for a disc brake shim, as shown.

[22] Filed: **Nov. 25, 1991**

DESCRIPTION

[52] U.S. Cl. **D12/180**

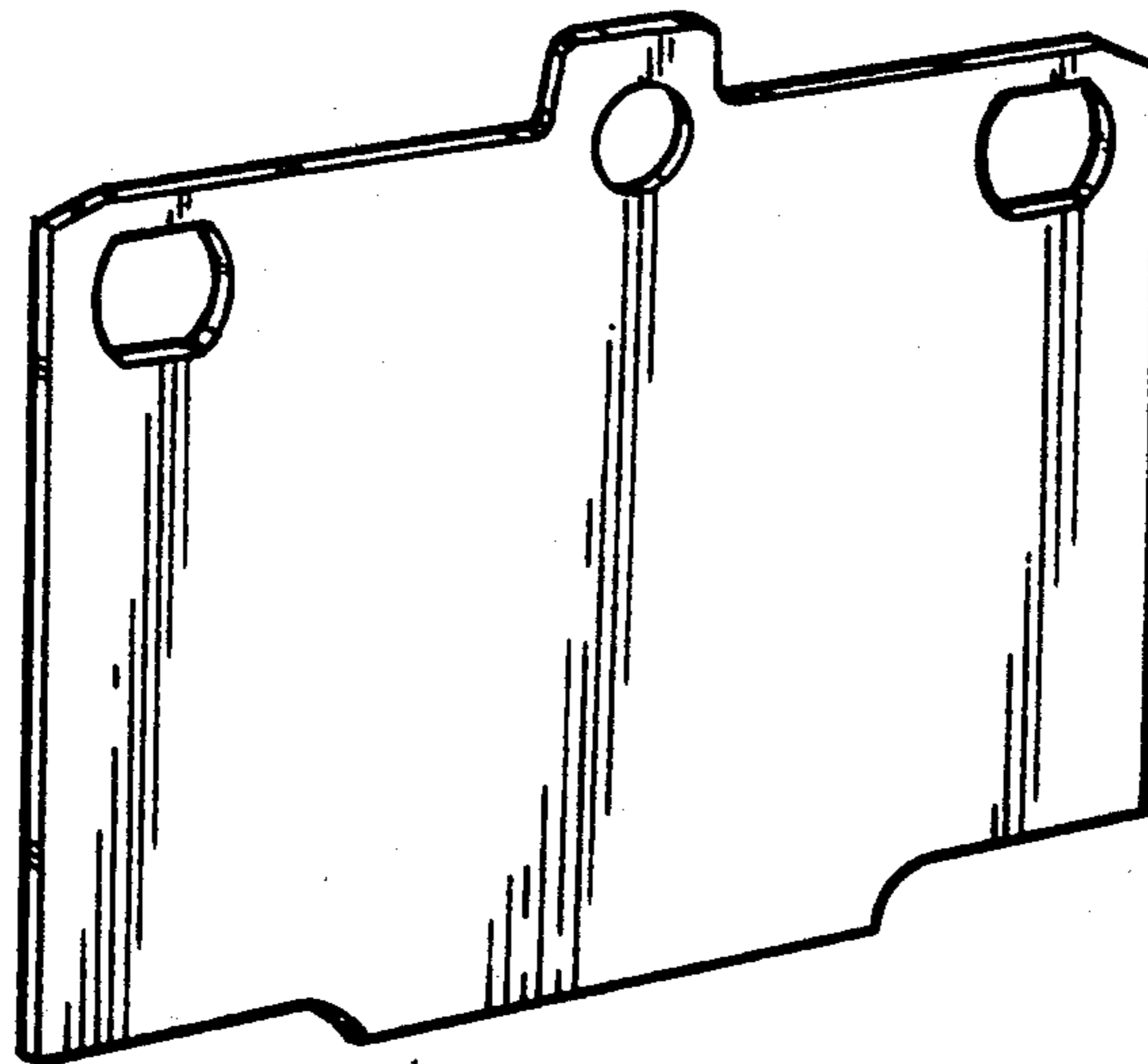
FIG. 1 is an elevated perspective of a disc brake shim showing our new design;
FIG. 2 is a left side elevational view thereof;
FIG. 3 is a front elevational view thereof;
FIG. 4 is a top plan view thereof;
FIG. 5 is a right side elevational view thereof;
FIG. 6 is a rear elevational view thereof; and,
FIG. 7 is a bottom plan view thereof.

[58] Field of Search **D12/180; 188/73.1, 250 B**

[56] **References Cited**

U.S. PATENT DOCUMENTS

D. 277,093	1/1985	Caplygin	D12/180
D. 279,467	7/1985	Eberhart et al.	D12/180
4,220,223	9/1980	Rinker et al.	188/73.1



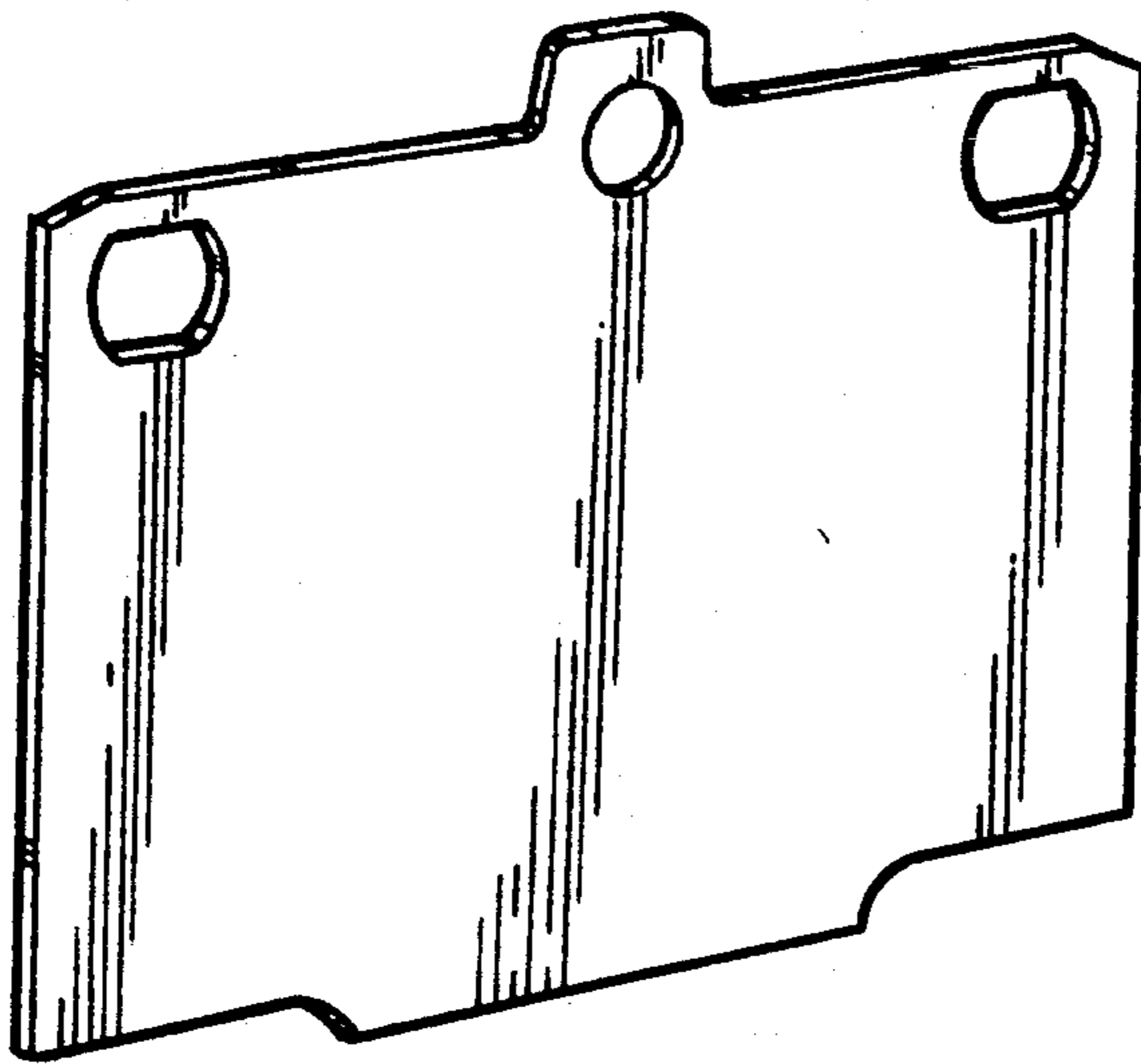


Fig-1

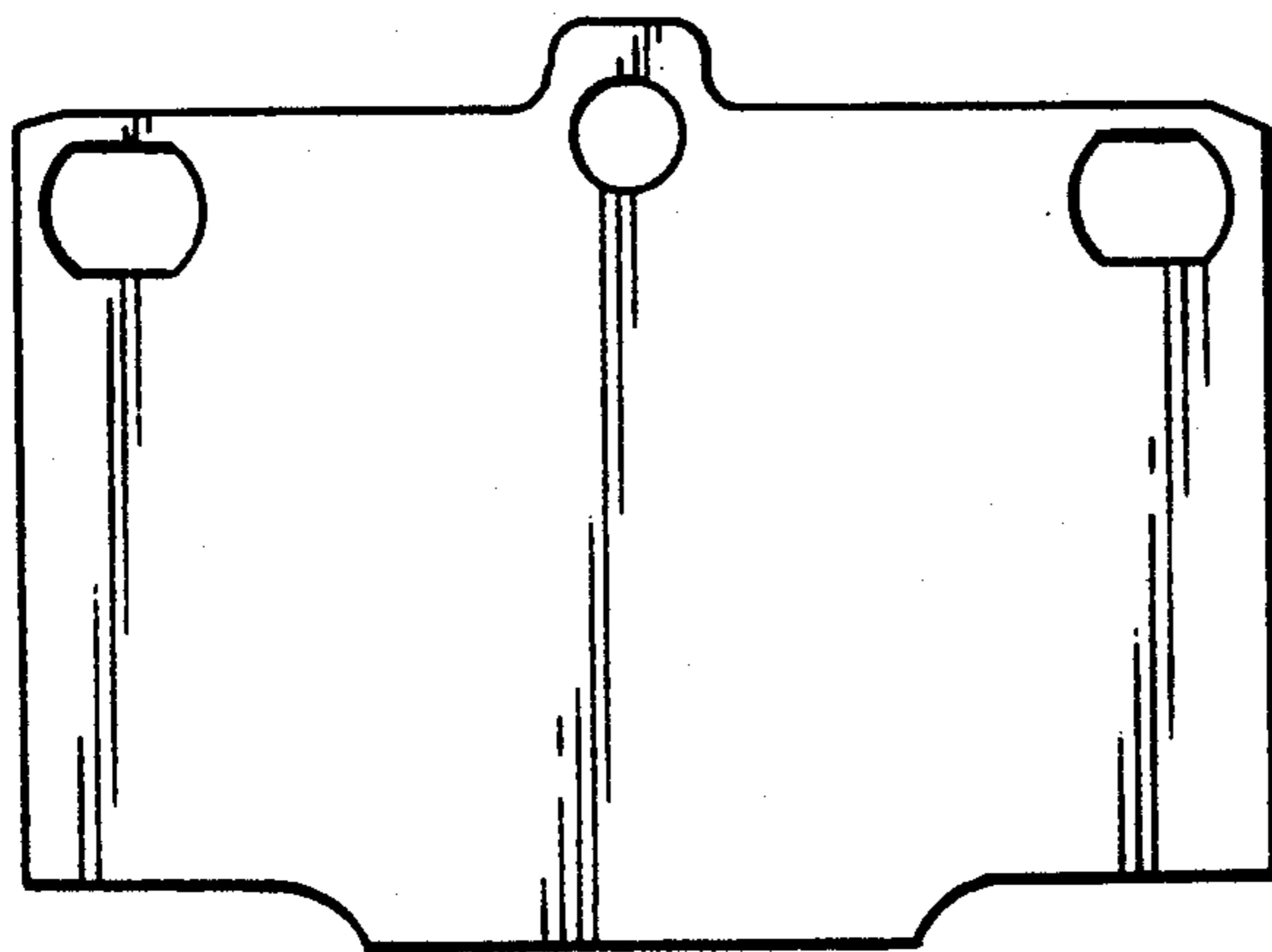


Fig-3



Fig-2



Fig-4



Fig-5

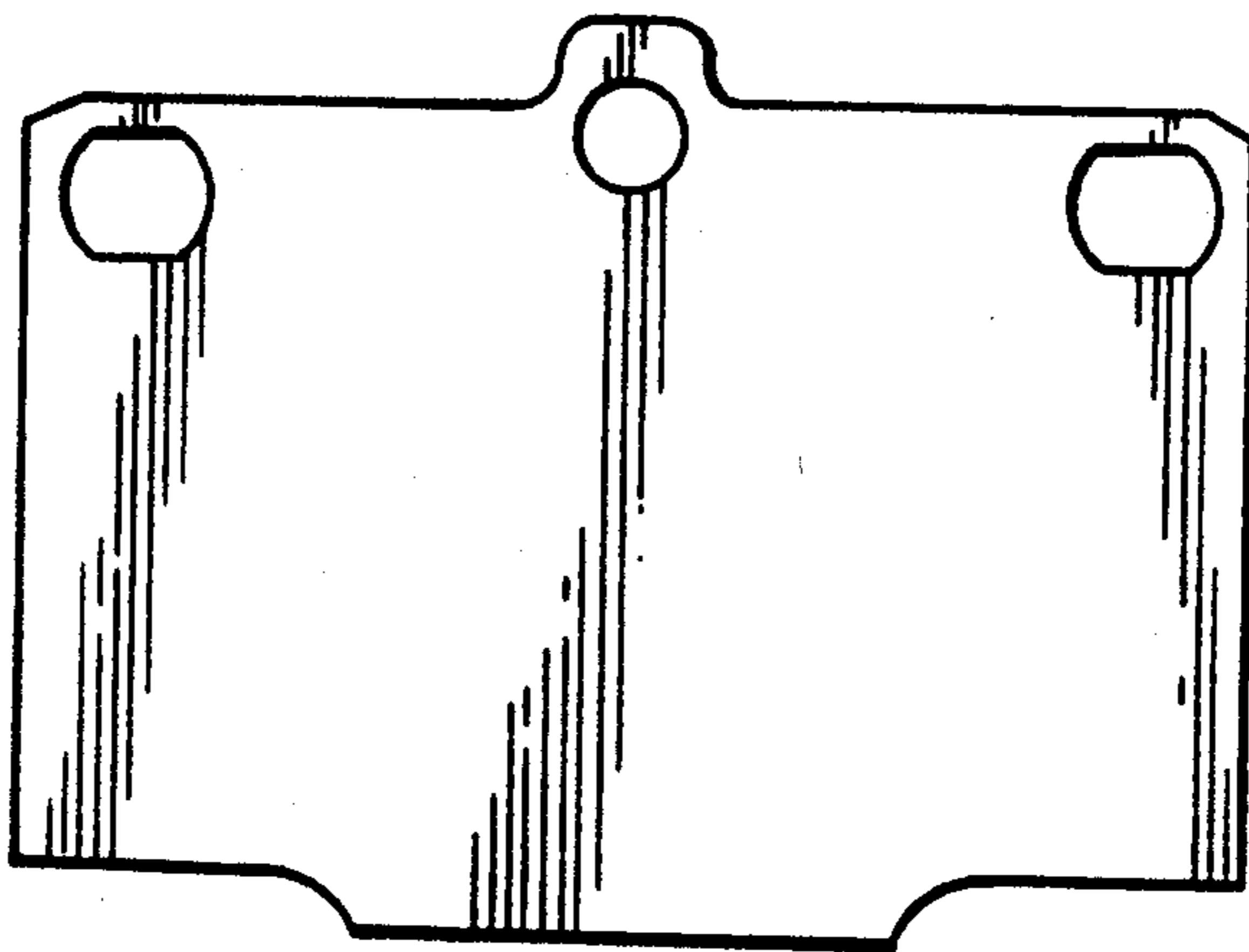


Fig-6



Fig-7