



US00D337555S

# United States Patent [19]

McNab et al.

[11] Patent Number: **Des. 337,555**

[45] Date of Patent: **\*\* Jul. 20, 1993**

[54] **SHOCK ISOLATION MOUNT**

[76] Inventors: **Robert B. McNab; James A. Wolfe,**  
both of P.O. Box 3689, Bristol, Tenn.  
37625

[\*\*] Term: **14 Years**

[21] Appl. No.: **868,579**

[22] Filed: **Apr. 14, 1992**

[52] U.S. Cl. .... **D12/159**

[58] Field of Search ..... **D12/159; 188/378, 379;**  
**248/631, 632, 636; 267/136, 140.11**

5,016,862 5/1991 Leyshon ..... 267/136  
5,018,701 5/1991 Olzaki et al. .... 248/631  
5,169,110 12/1992 Snaith et al. .... 248/636

**FOREIGN PATENT DOCUMENTS**

1481536 5/1989 U.S.S.R. .... 267/136

*Primary Examiner*—Wallace R. Burke  
*Assistant Examiner*—Melody N. Brown  
*Attorney, Agent, or Firm*—Jones & Askew

[57] **CLAIM**

The ornamental design for a shock isolation mount, as shown.

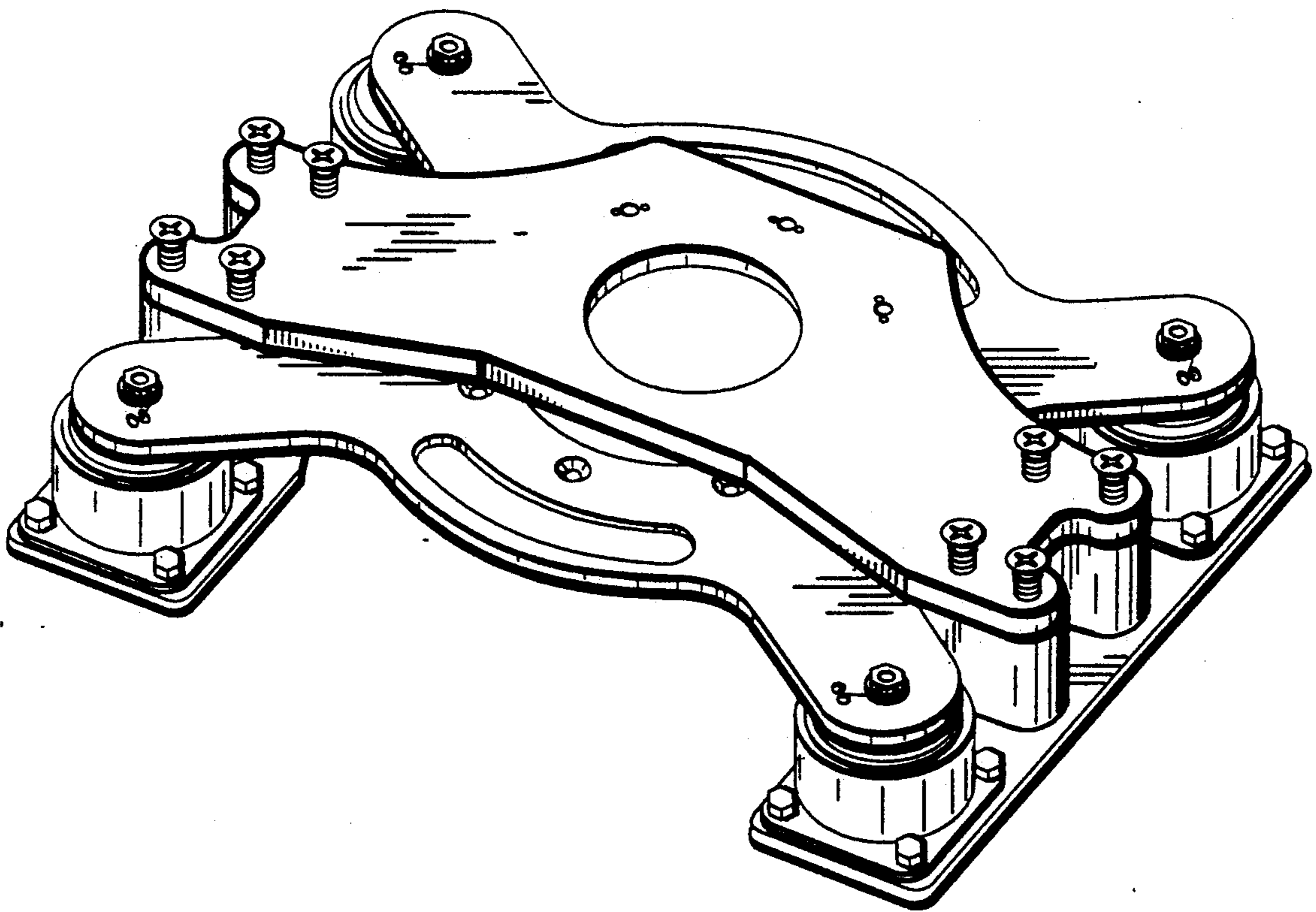
[56] **References Cited**

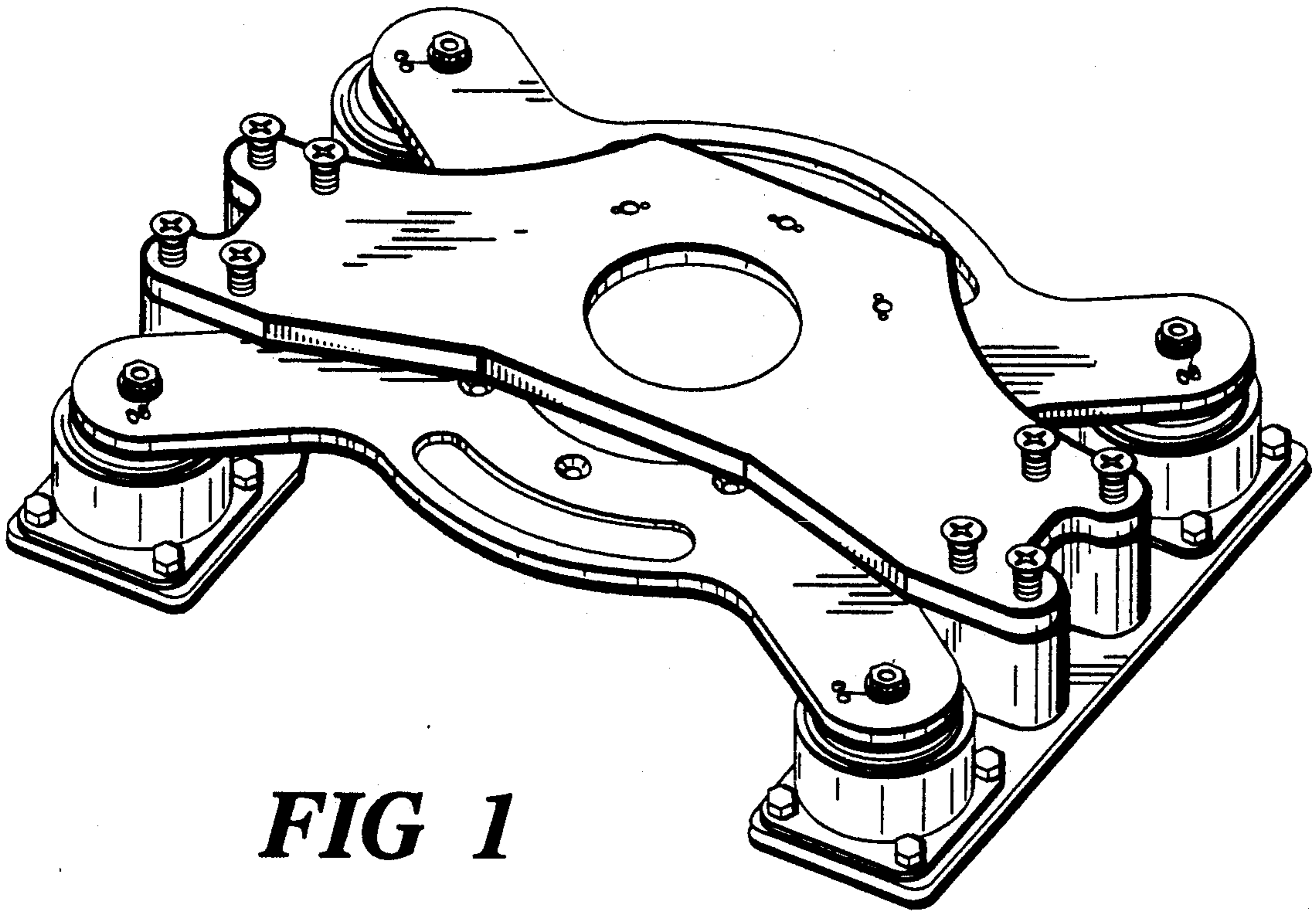
**U.S. PATENT DOCUMENTS**

D. 279,370 6/1985 Ballew ..... D12/159  
4,682,753 7/1987 Clark ..... 248/631  
4,784,378 11/1988 Ford ..... 267/40.11  
4,806,437 2/1989 Yokoi et al. .... 267/40.11  
4,972,930 11/1990 Davis ..... 267/136  
4,981,215 1/1991 Ibi ..... 267/136

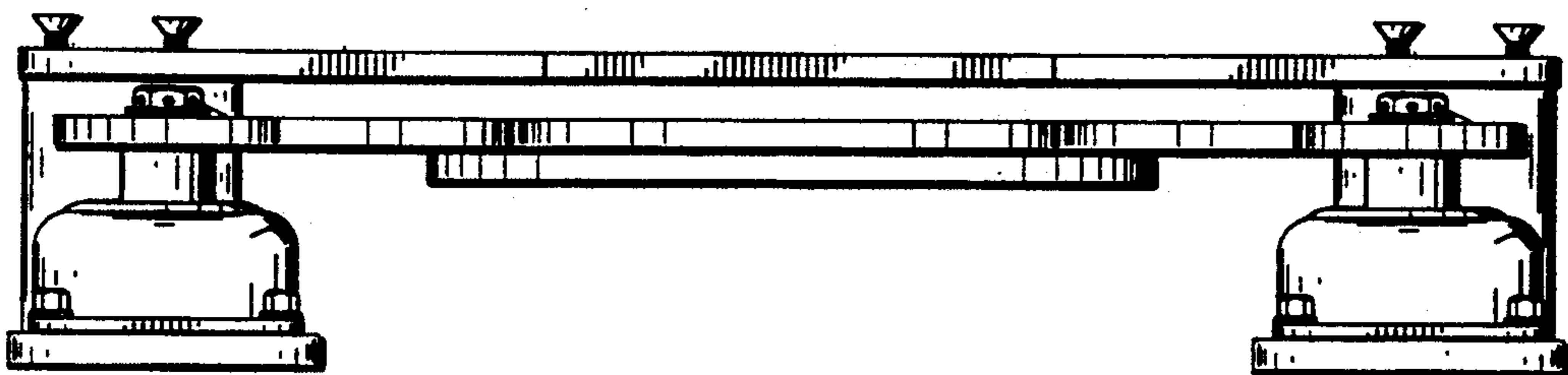
**DESCRIPTION**

FIG. 1 is a perspective view of a shock isolation mount, showing our new design;  
FIG. 2 is a front view thereof;  
FIG. 3 is a side view thereof;  
FIG. 4 is a rear view thereof;  
FIG. 5 is a top view thereof; and,  
FIG. 6 is a bottom view thereof.

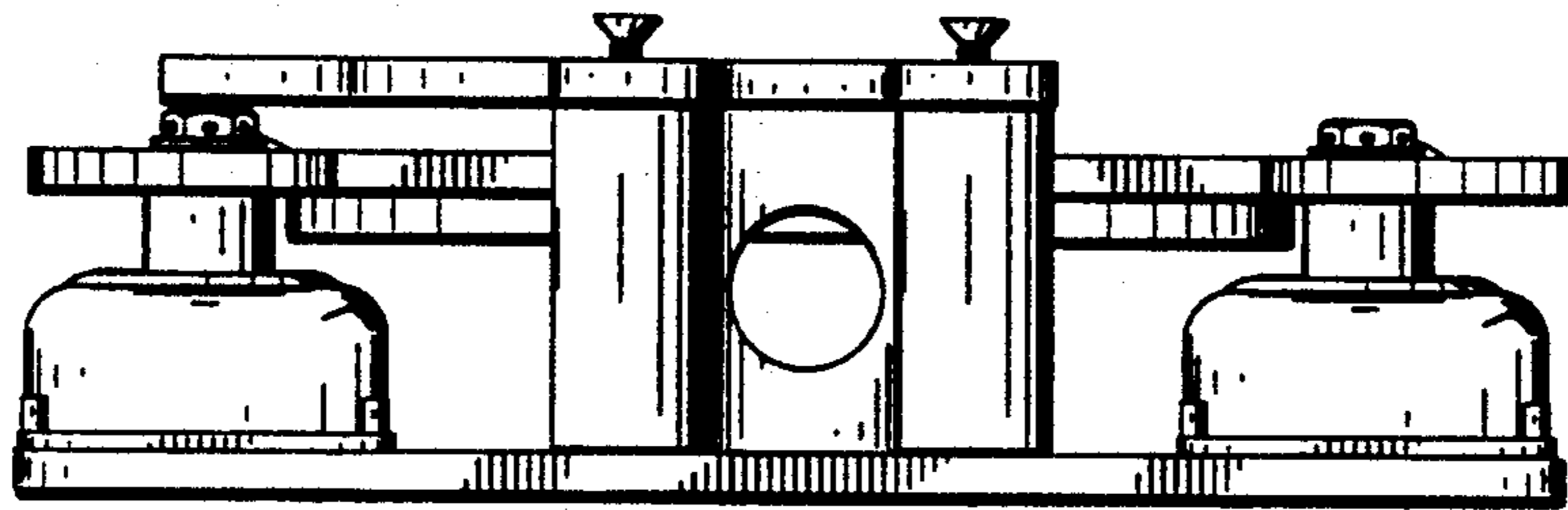




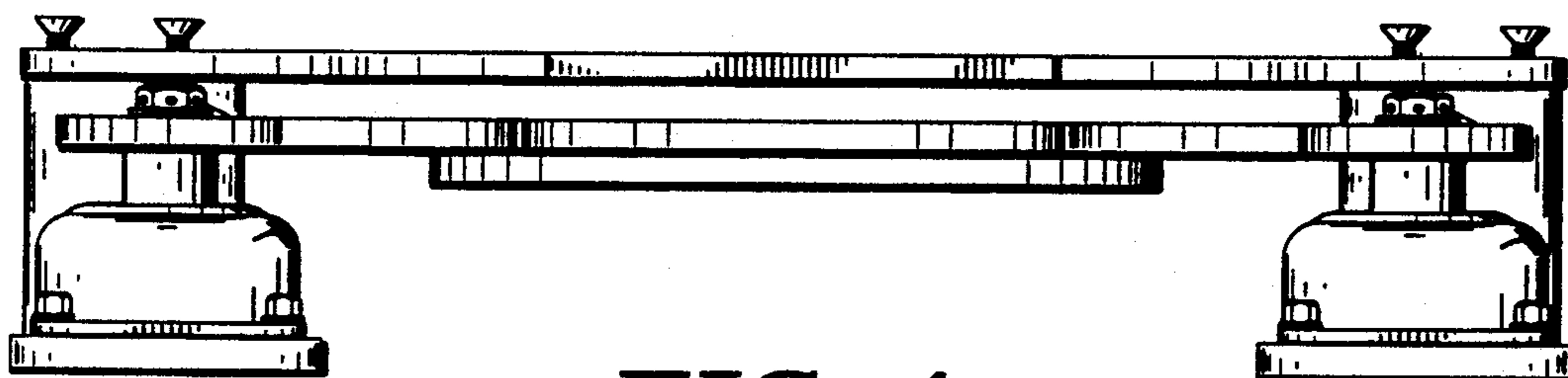
**FIG 1**



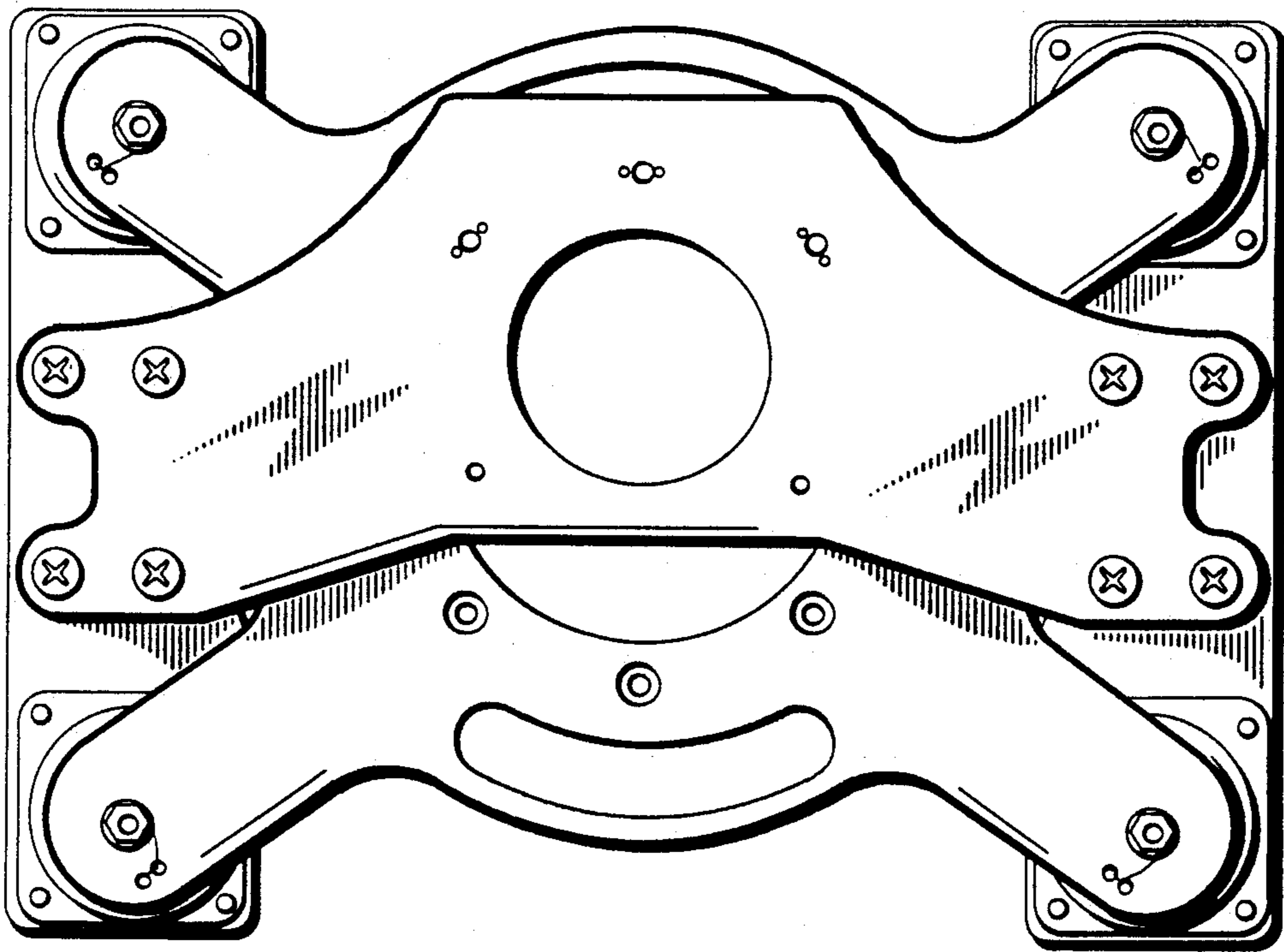
**FIG 2**



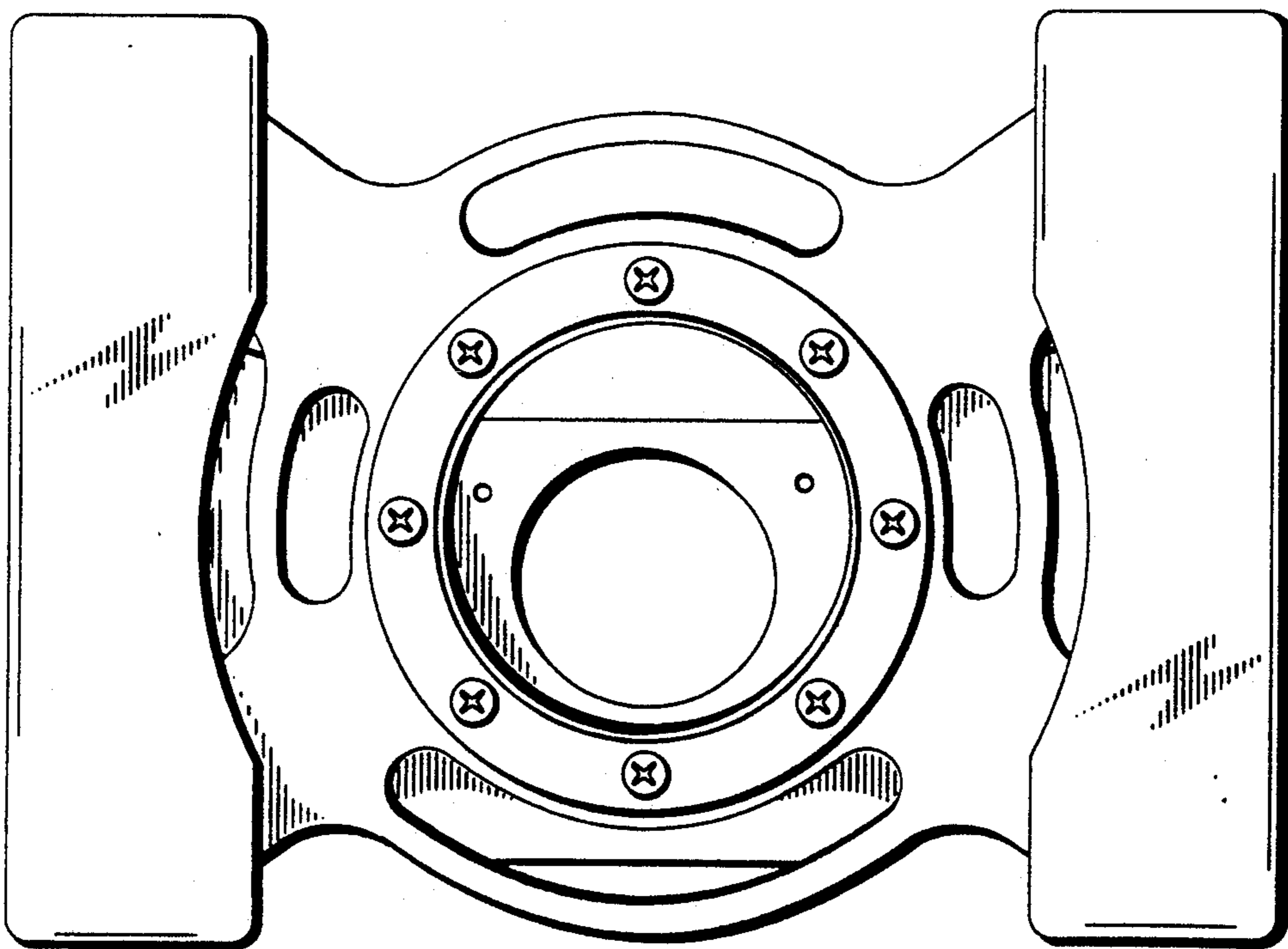
**FIG 3**



**FIG 4**



**FIG 5**



**FIG 6**