



US00D337539S

United States Patent [19]

Leamon

[11] Patent Number: **Des. 337,539**

[45] Date of Patent: **** Jul. 20, 1993**

[54] **TABLET COUNTER**

[75] Inventor: **James C. Leamon**, Stamford, Conn.

[73] Assignee: **Kirby Lester, Inc.**, Stamford, Conn.

[**] Term: **14 Years**

[21] Appl. No.: **662,161**

[22] Filed: **Feb. 28, 1991**

[52] U.S. Cl. **D10/97**

[58] Field of Search **D10/97; D15/145, 146; 414/675; 453/33, 30, 58**

2,706,072 4/1955 Furno 414/675
 2,866,561 12/1958 Groves 414/675

Primary Examiner—Nelson C. Holtje
Assistant Examiner—A. D. Davis
Attorney, Agent, or Firm—Kenyon & Kenyon

[57] CLAIM

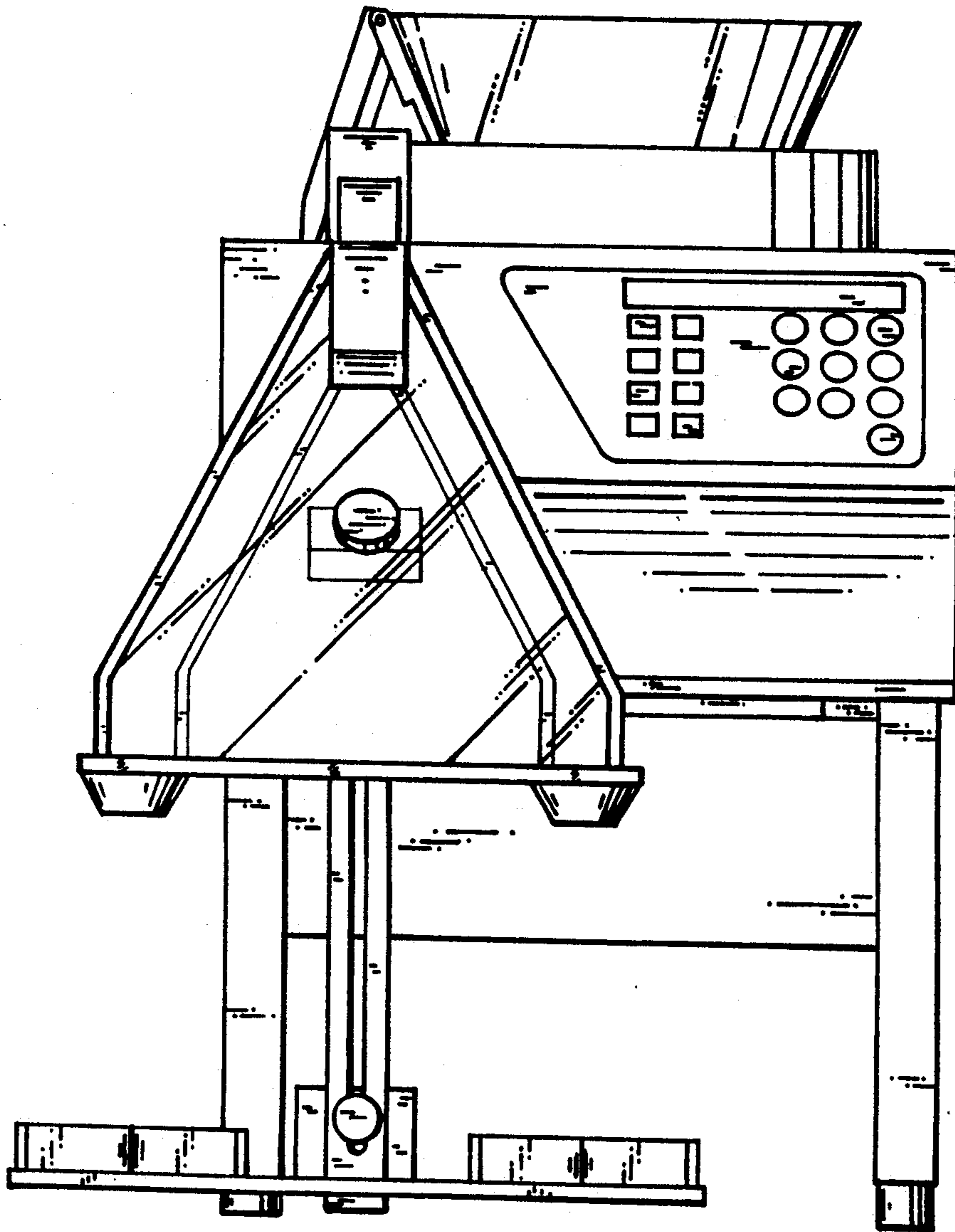
The ornamental design for a tablet counter, as shown and described.

DESCRIPTION

FIG. 1 is a front elevational view of a tablet counter showing my new design;
 FIG. 2 is a top plan view thereof;
 FIG. 3 is a right side elevational view thereof;
 FIG. 4 is a left side elevational view thereof;
 FIG. 5 is a rear elevational view thereof; and,
 FIG. 6 is a bottom plan view thereof.

[56] **References Cited**
U.S. PATENT DOCUMENTS

D. 266,317 9/1982 Dino et al. D10/97
 2,457,220 12/1948 Fowler et al. 414/675 X
 2,509,069 5/1950 Mrachek 414/675 X



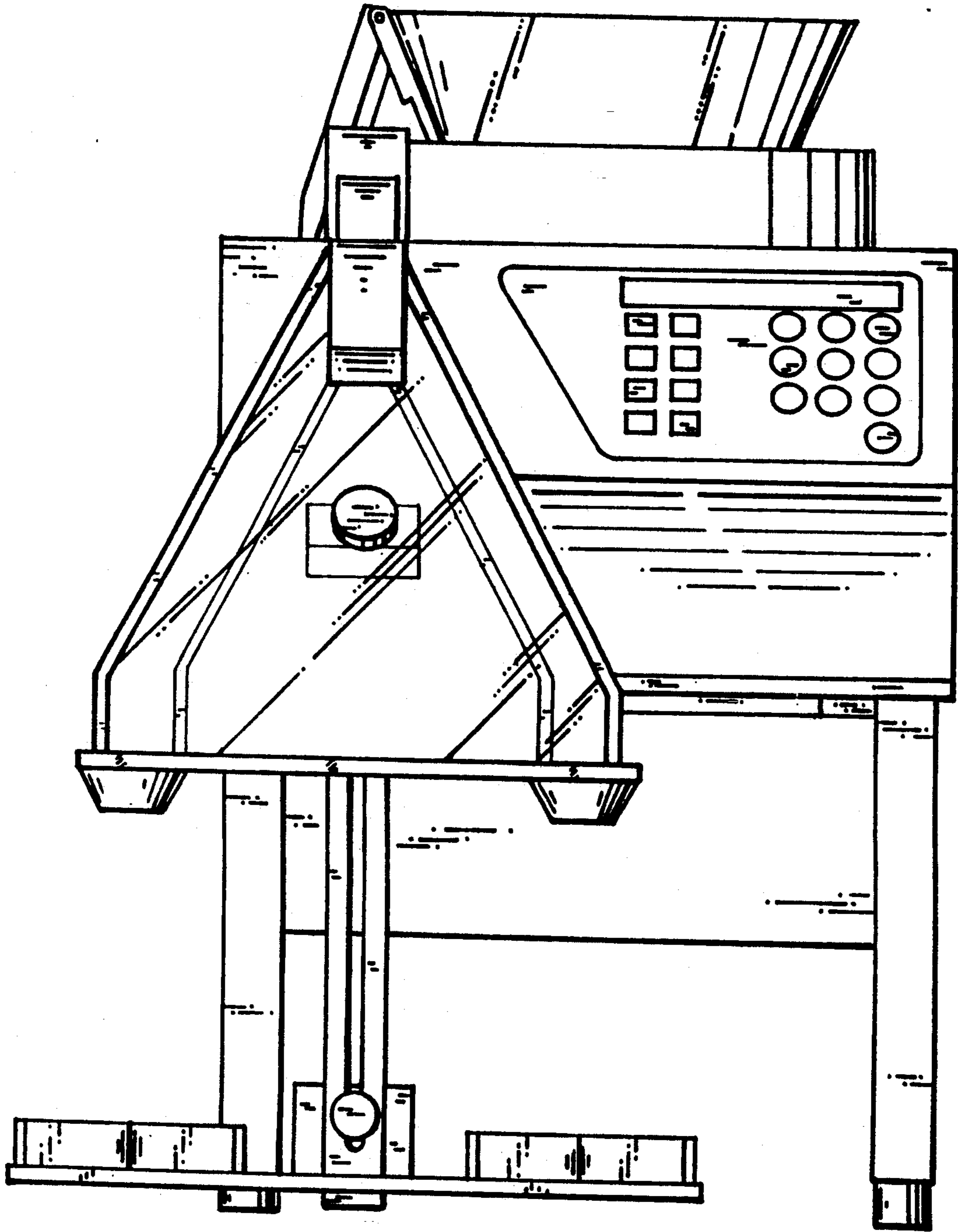


FIG. 1

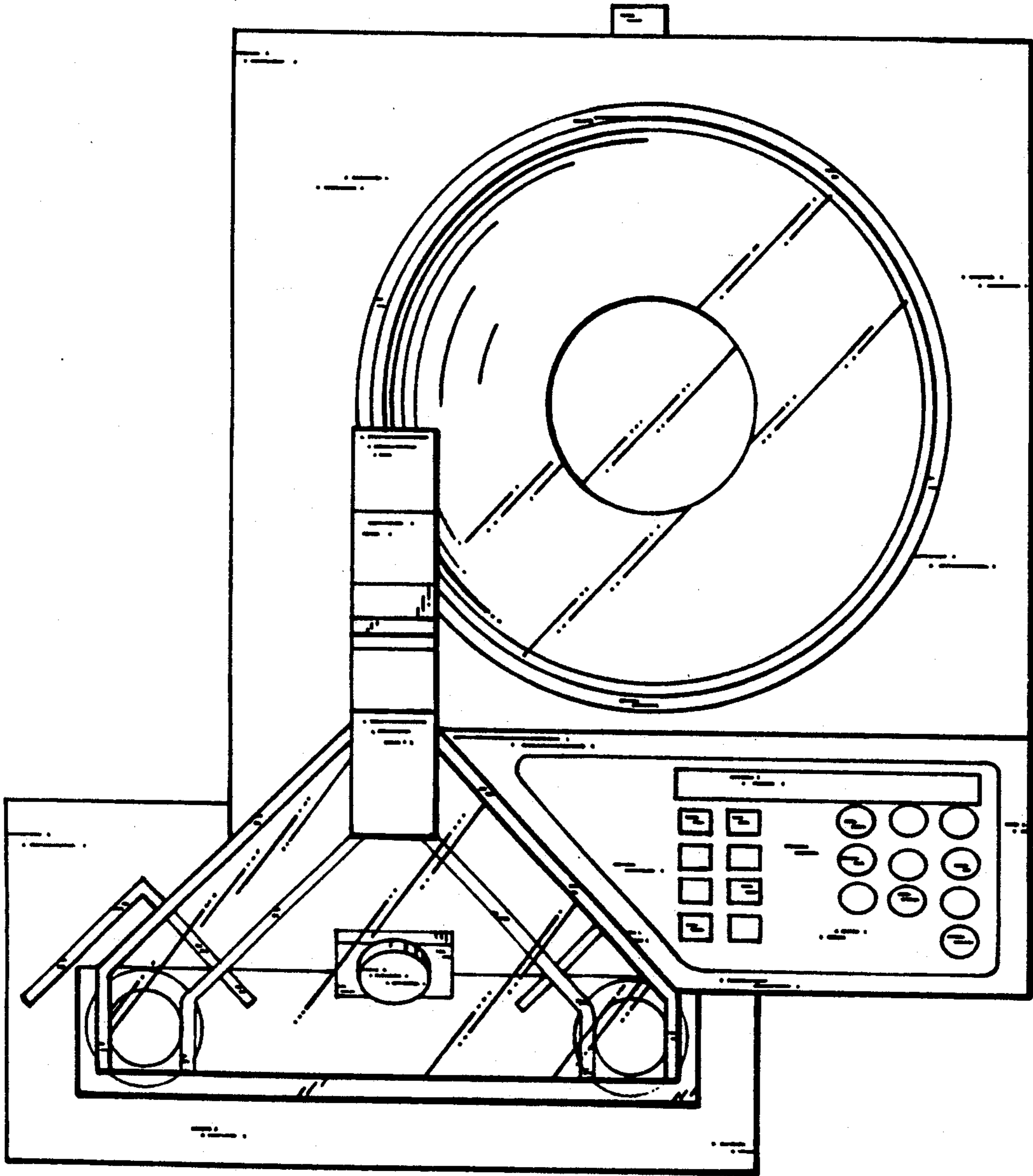


FIG. 2

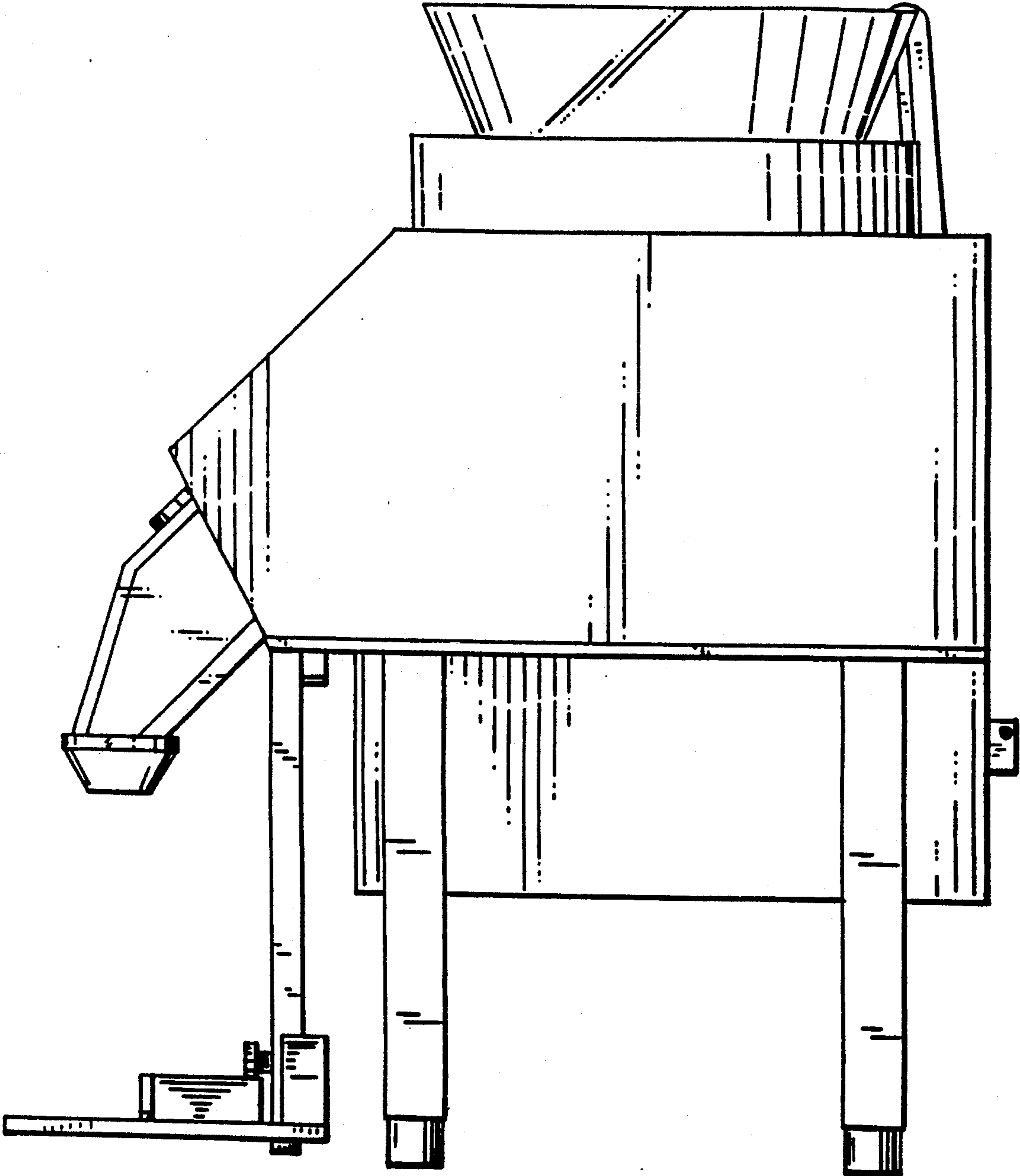


FIG. 3

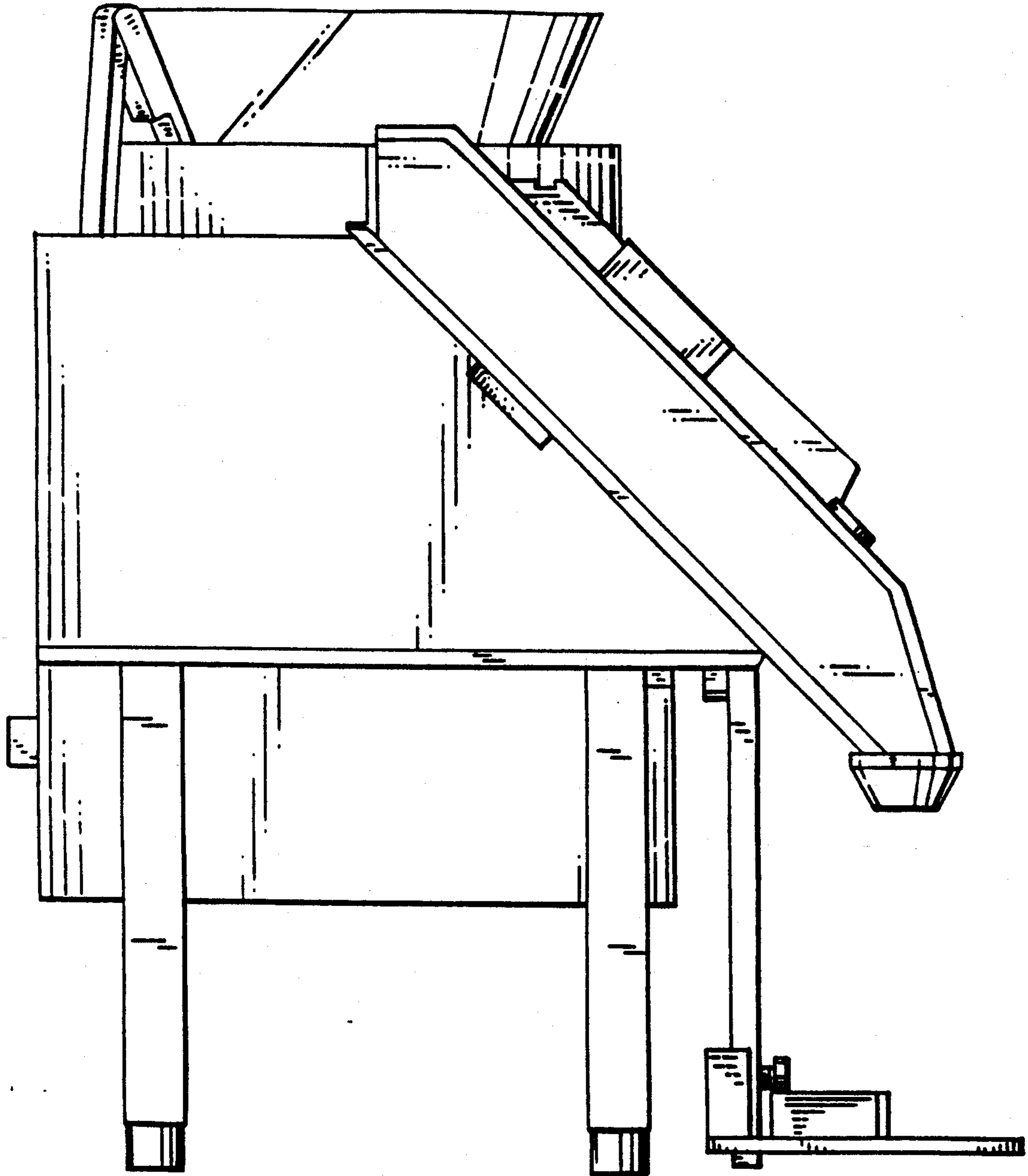


FIG. 4

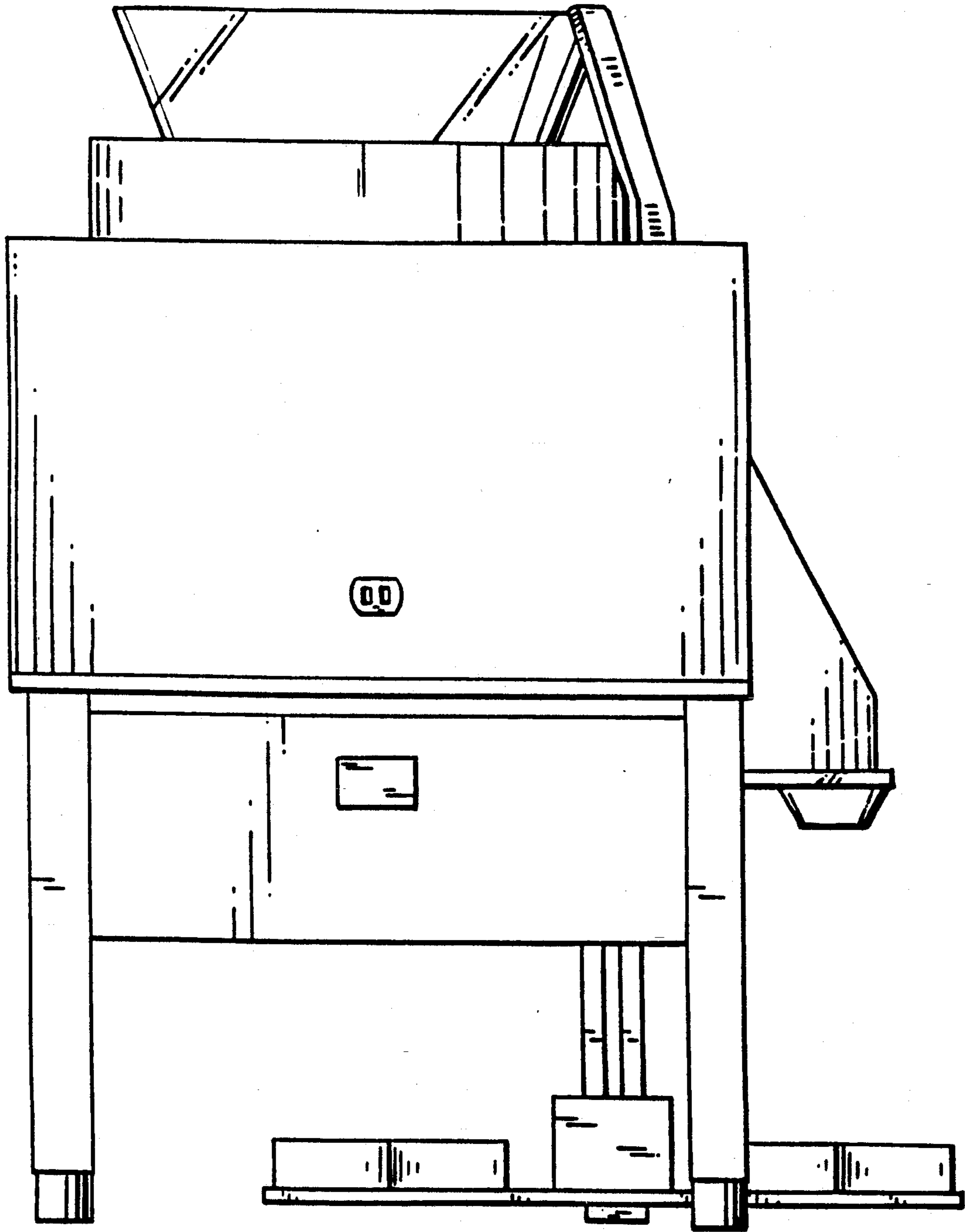


FIG. 5

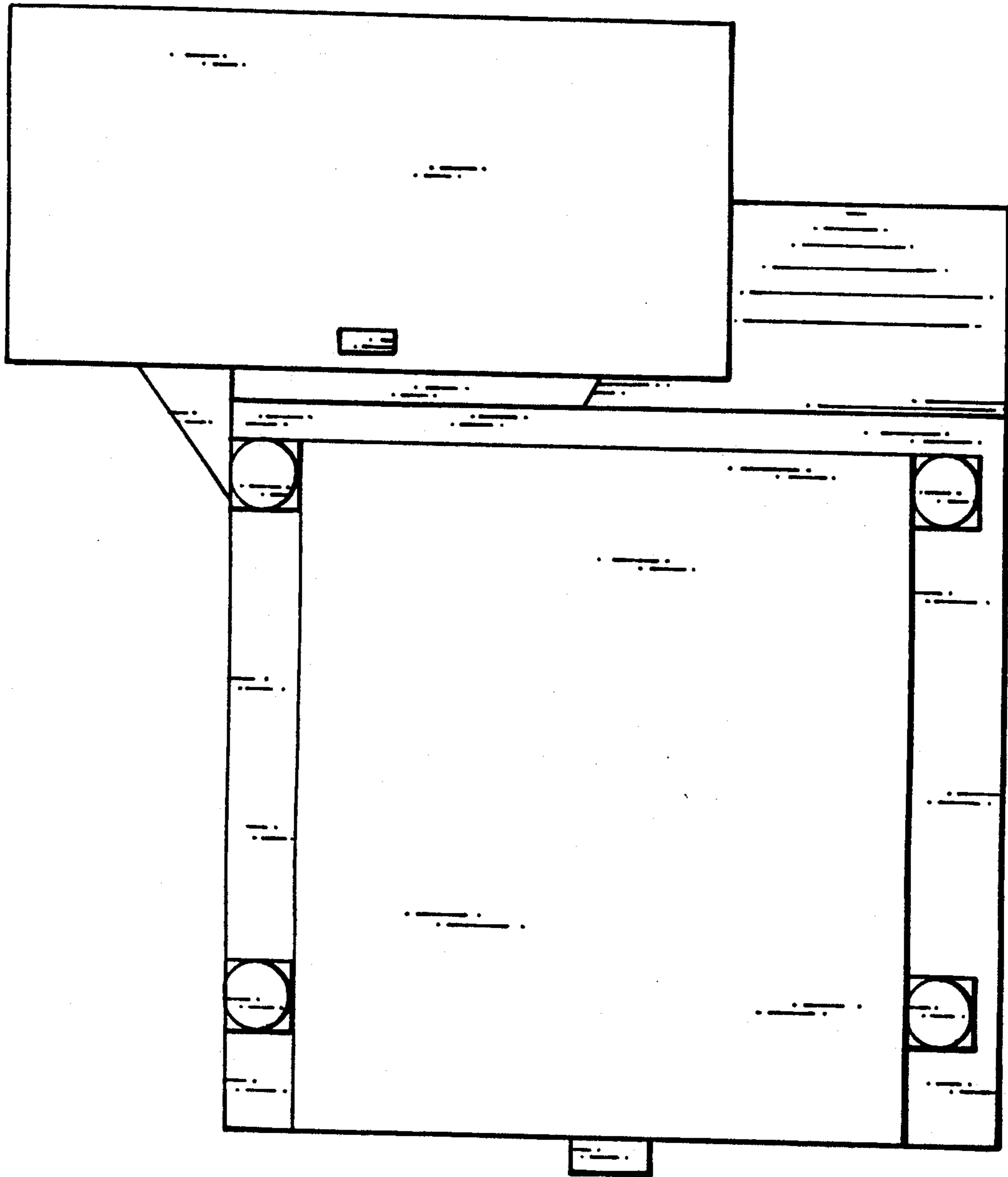


FIG. 6