



US00D337535S

**United States Patent** [19]  
**Knowlton**

[11] **Patent Number: Des. 337,535**

[45] **Date of Patent: \*\* Jul. 20, 1993**

- [54] **CARPENTER'S LAYOUT TOOL**
- [76] **Inventor: Dale E. Knowlton, P.O. Box 558, Fulton, Calif. 95439**
- [\*\*] **Term: 14 Years**
- [21] **Appl. No.: 685,005**
- [22] **Filed: Apr. 15, 1991**
- [52] **U.S. Cl. .... D10/64; D10/70**
- [58] **Field of Search ..... D10/64, 70, 71; 33/516, 33/663, 664, 665, 666, 669; 72/479, 480**

1,920,839 8/1933 Cattanco ..... 33/516  
 2,332,568 10/1943 Gauthier ..... 33/669

*Primary Examiner*—Alan P. Douglas  
*Assistant Examiner*—Antoine D. Davis  
*Attorney, Agent, or Firm*—Larry D. Johnson

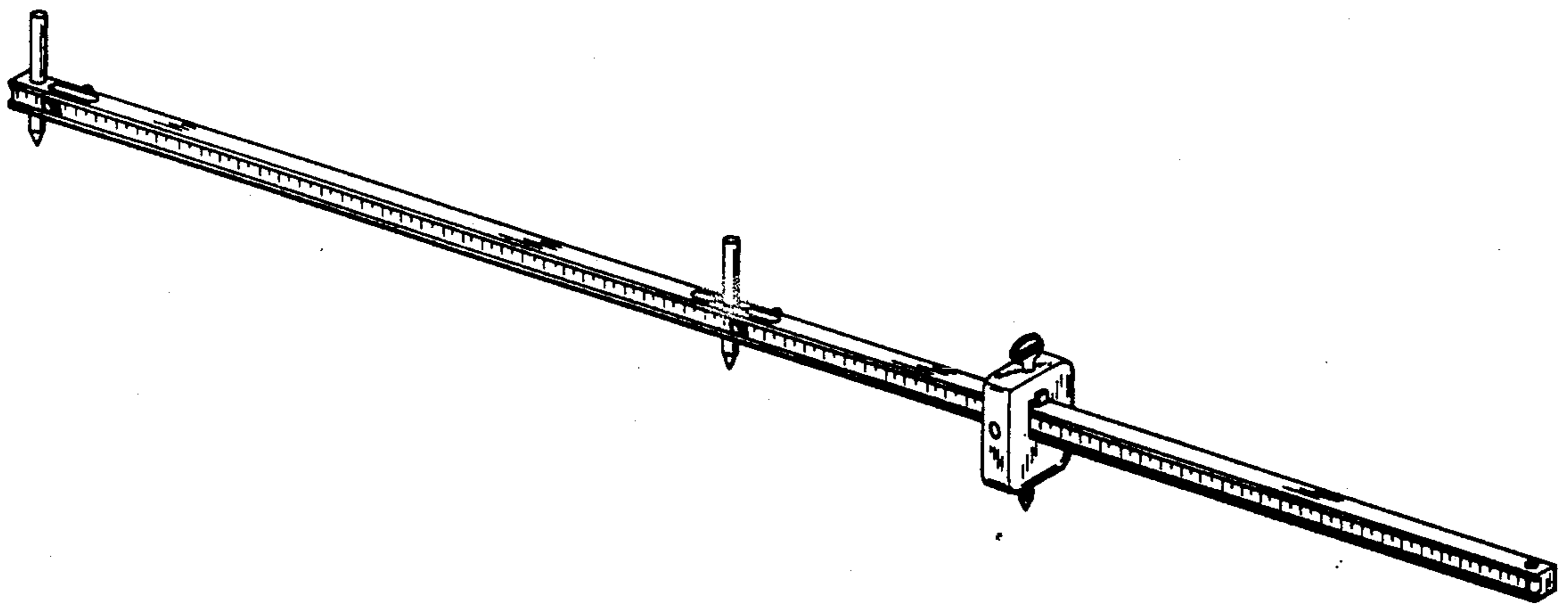
[57] **CLAIM**

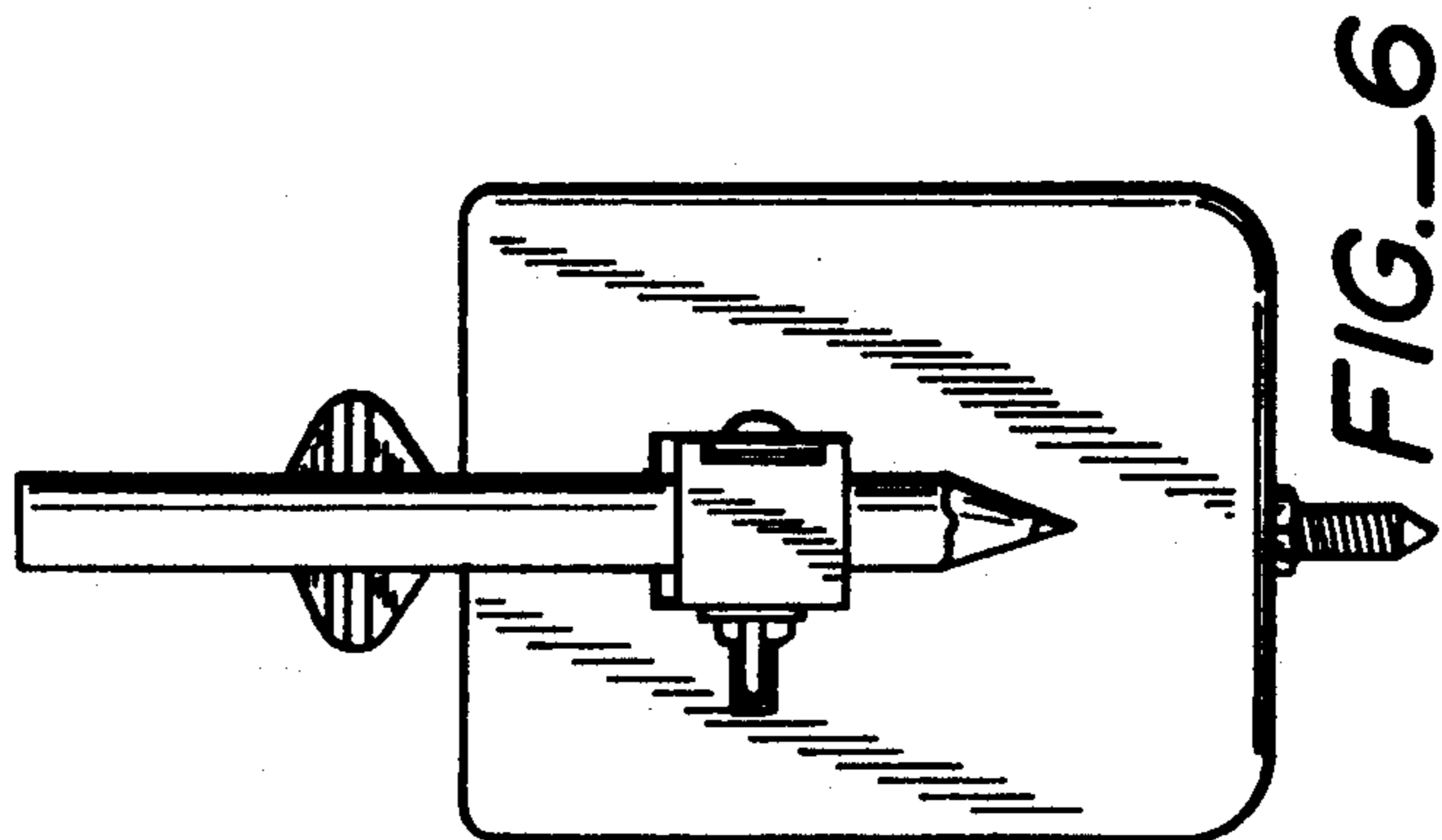
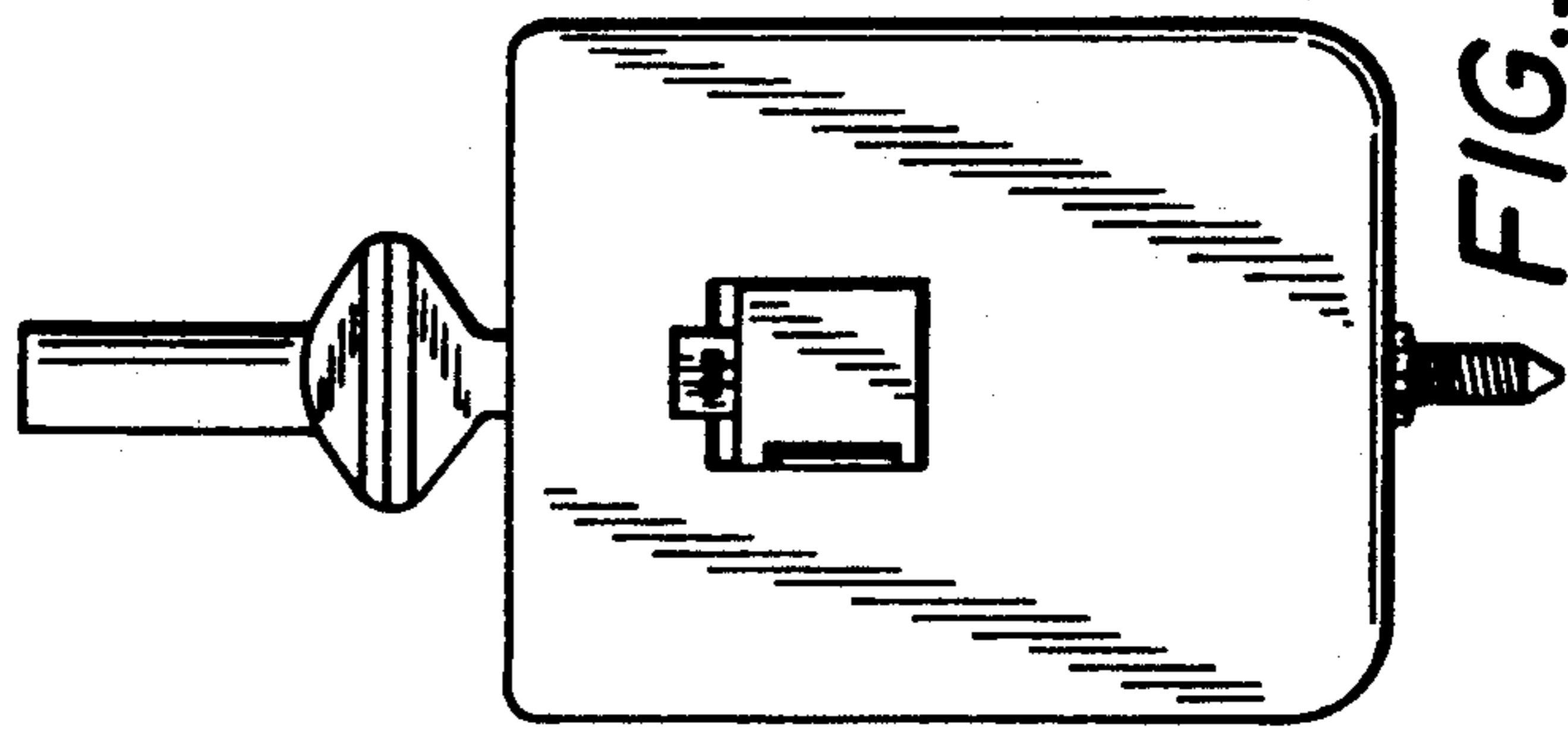
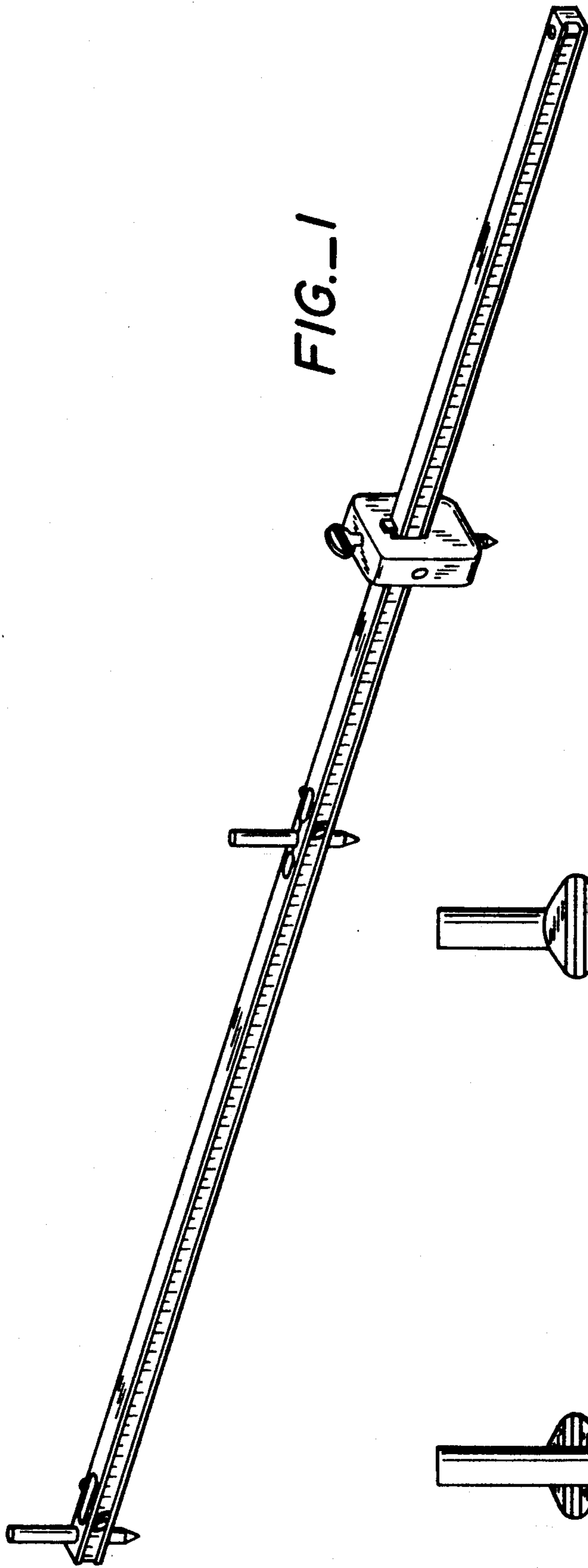
The ornamental design for a carpenter's layout tool, as shown.

**DESCRIPTION**

FIG. 1 is a reduced scale perspective view of a carpenter's layout tool showing my new design;  
 FIG. 2 is a fragmented top plan view thereof;  
 FIG. 3 is a fragmented front elevational view thereof;  
 FIG. 4 is a fragmented bottom plan view thereof;  
 FIG. 5 is a fragmented rear elevational view thereof;  
 FIG. 6 is a left side end view thereof; and,  
 FIG. 7 is a right side end view thereof.

- [56] **References Cited**
- U.S. PATENT DOCUMENTS**
- D. 201,570 7/1965 Polkosnik ..... D10/71
- D. 313,190 12/1990 Economaki ..... D10/64
- 1,166,512 1/1916 Dannenfelser ..... 33/474
- 1,564,721 12/1925 Tallon ..... 33/669 X





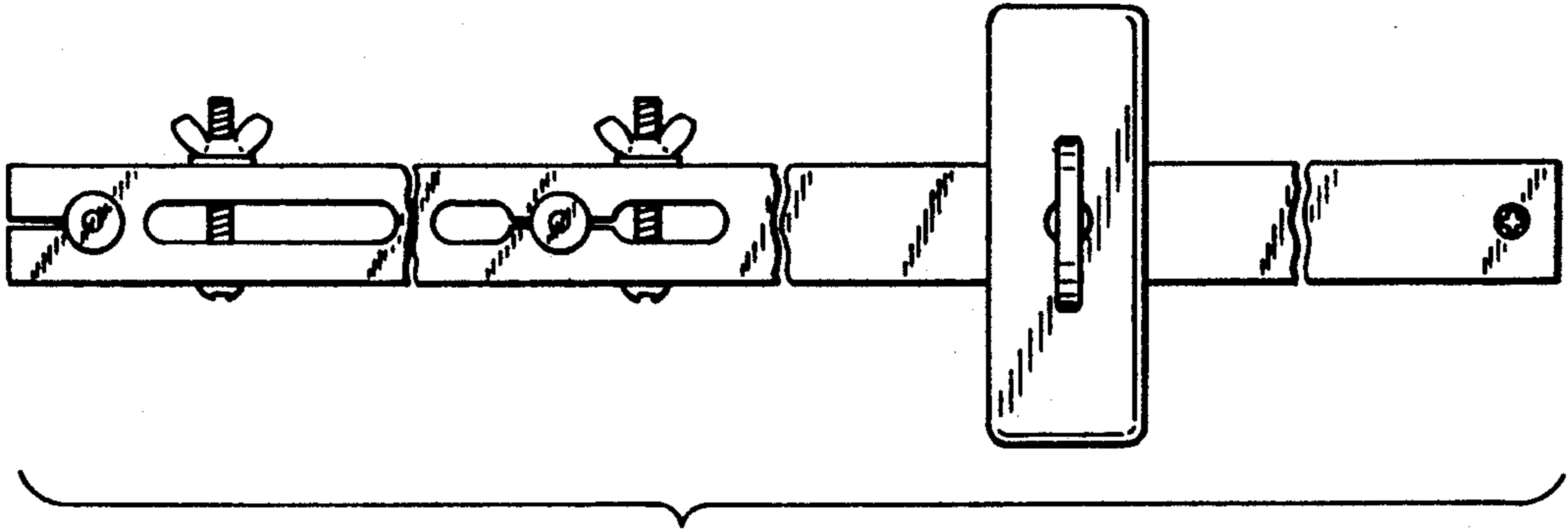


FIG. 2

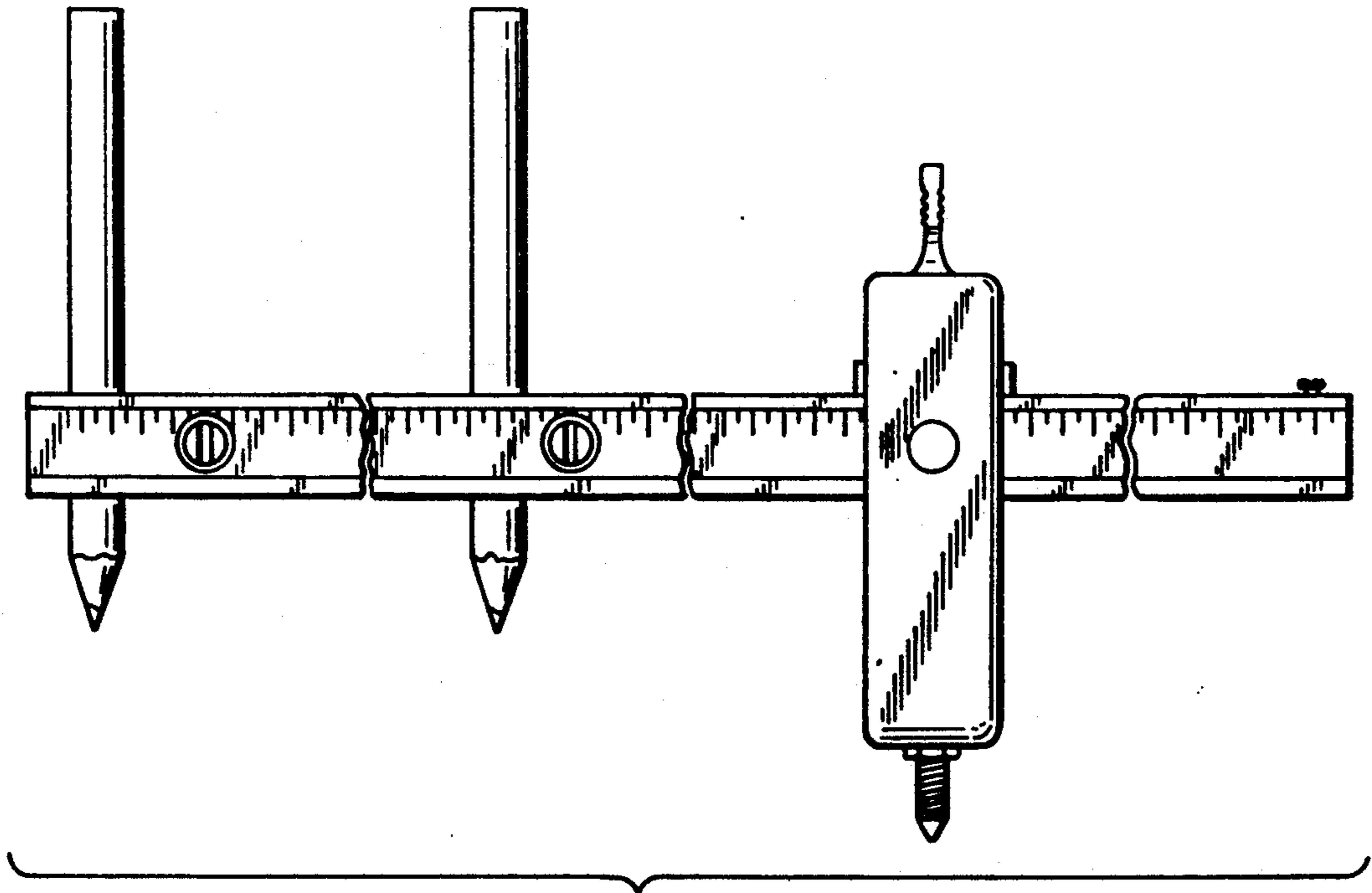


FIG. 3

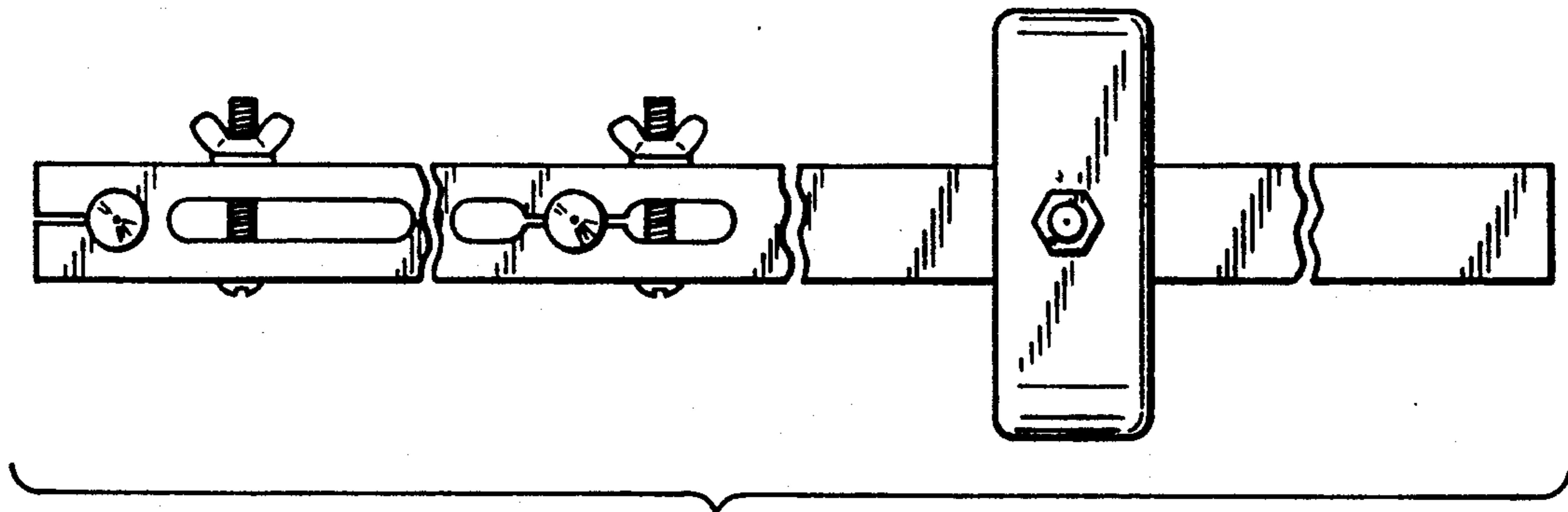


FIG.\_4

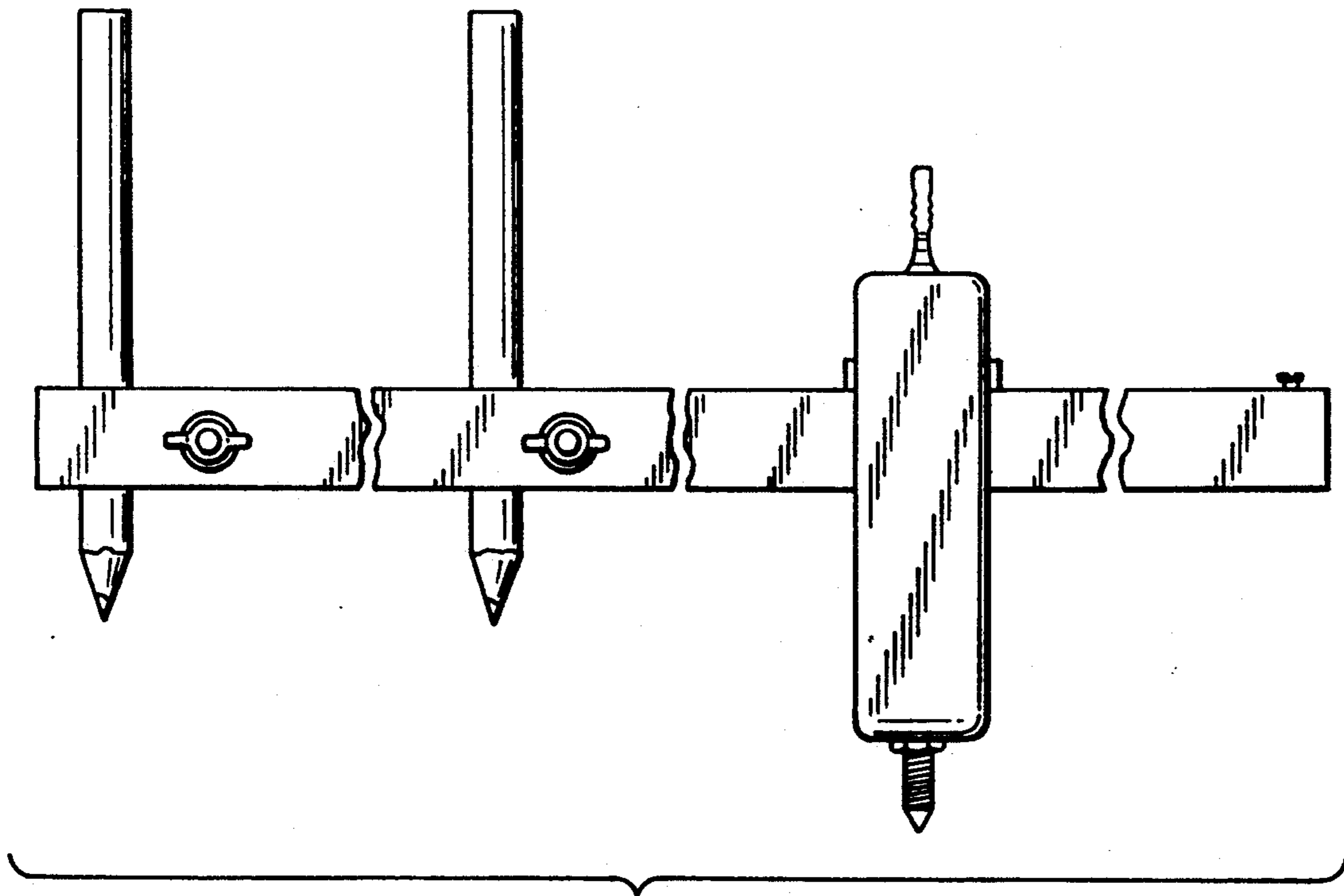


FIG.\_5