



US00D337534S

United States Patent [19]

Swift

[11] Patent Number: **Des. 337,534**

[45] Date of Patent: **** Jul. 20, 1993**

[54] **TYMPANIC THERMOMETER**

4,895,164 1/1990 Wood D10/57

[76] Inventor: **Arlette B. Swift**, 98 Gansett Rd., P.O. Box 27, Woods Hole, Mass. 02543

Primary Examiner—Alan P. Douglas

Assistant Examiner—A. D. Davis

Attorney, Agent, or Firm—Samuels, Gauthier & Stevens

[**] Term: **14 Years**

[21] Appl. No.: **676,733**

[57] **CLAIM**

The ornamental design for tympanic thermometer, as shown.

[22] Filed: **Mar. 28, 1991**

[52] U.S. Cl. **D10/57**

[58] Field of Search **D10/52, 57; 128/9, 12, 128/664, 736; 374/126, 129, 130, 208**

DESCRIPTION

FIG. 1 is a perspective view of the thermometer;

FIG. 2 is a front view of FIG. 1;

FIG. 3 is a back view of FIG. 1;

FIG. 4 is a left side view of FIG. 1, the right side view being identical;

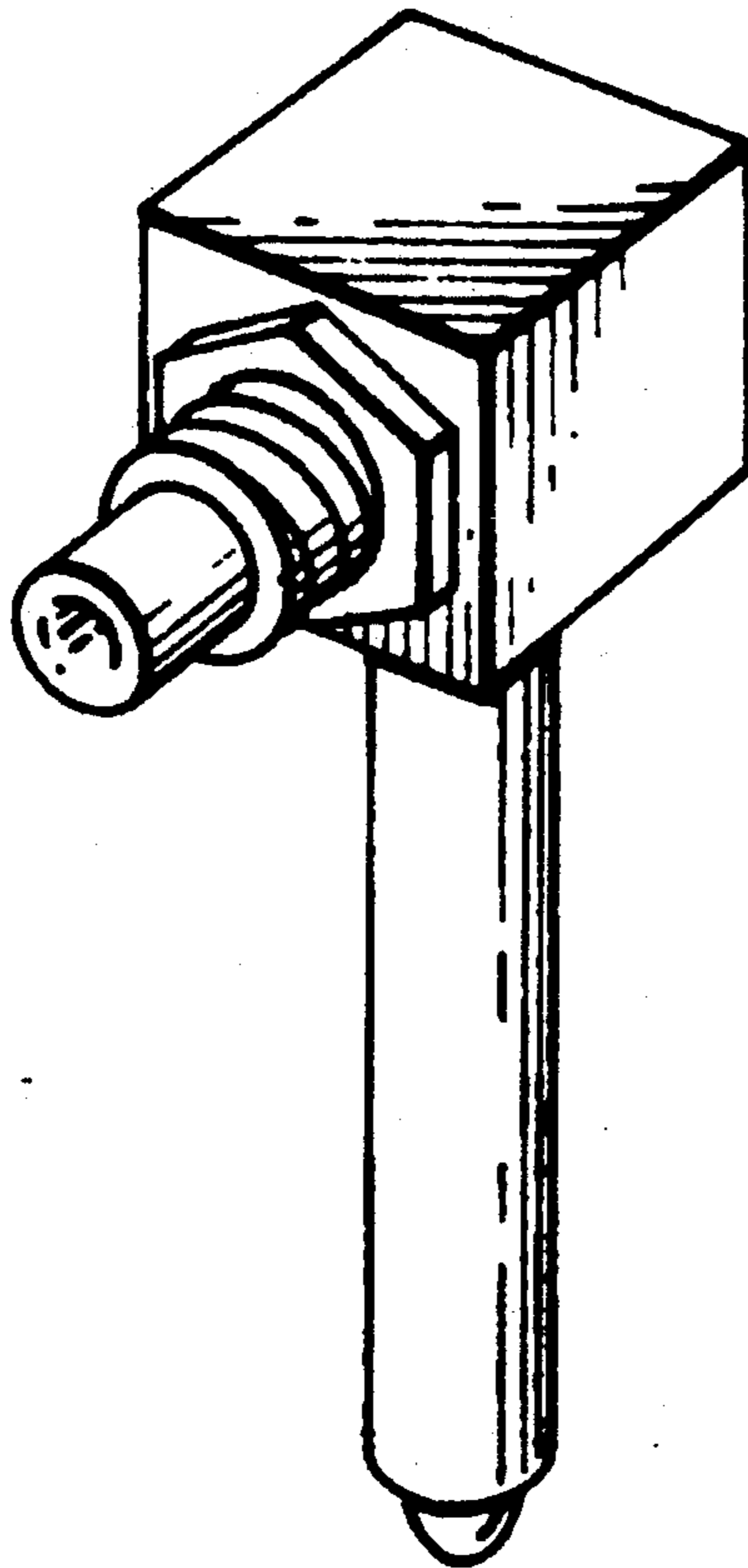
FIG. 5 is a bottom view of FIG. 1; and,

FIG. 6 is a plan view of FIG. 1.

[56] **References Cited**

U.S. PATENT DOCUMENTS

D. 317,414 6/1991 Lanci et al. D10/57
4,191,197 3/1980 Benzinger 128/736



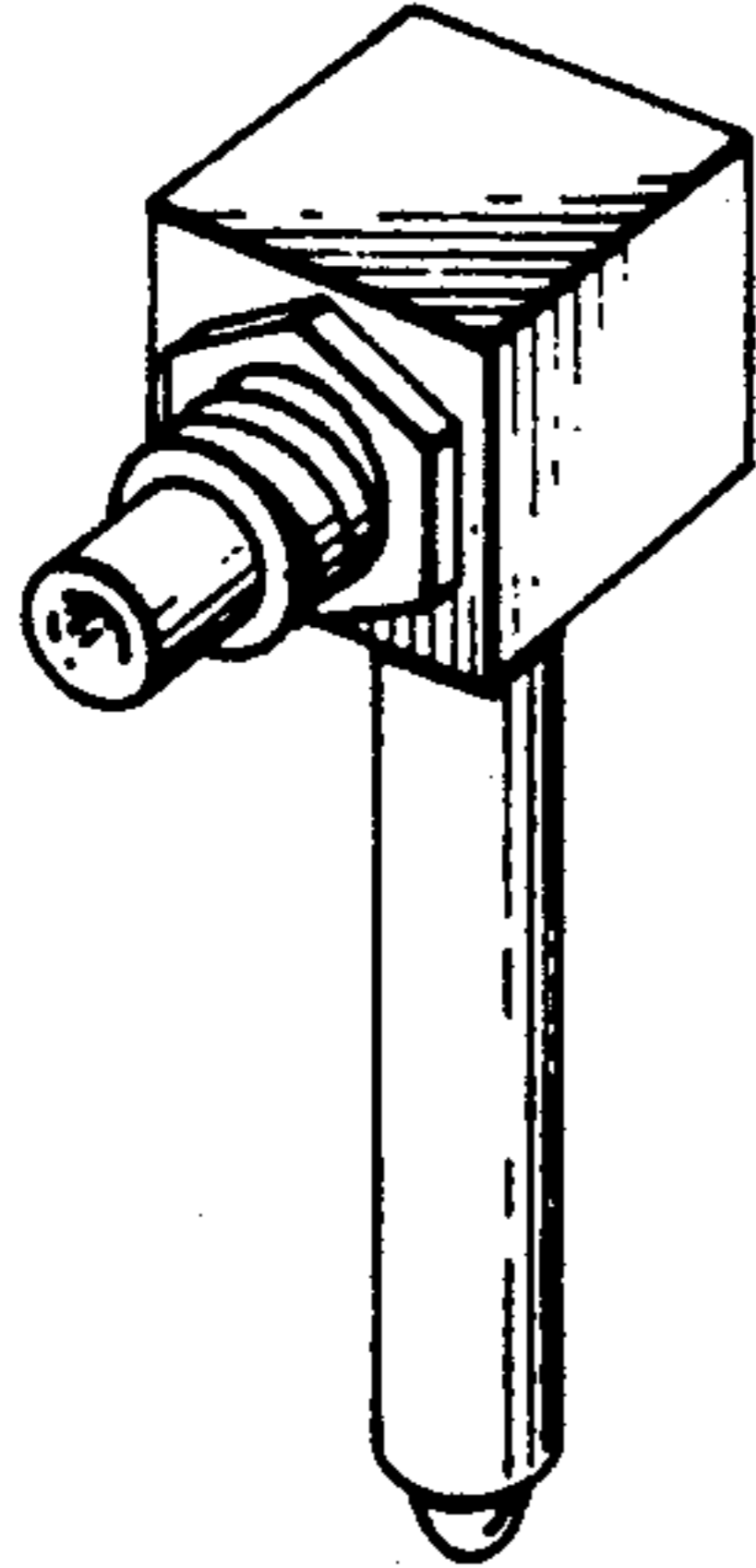


FIG. 1



FIG. 2

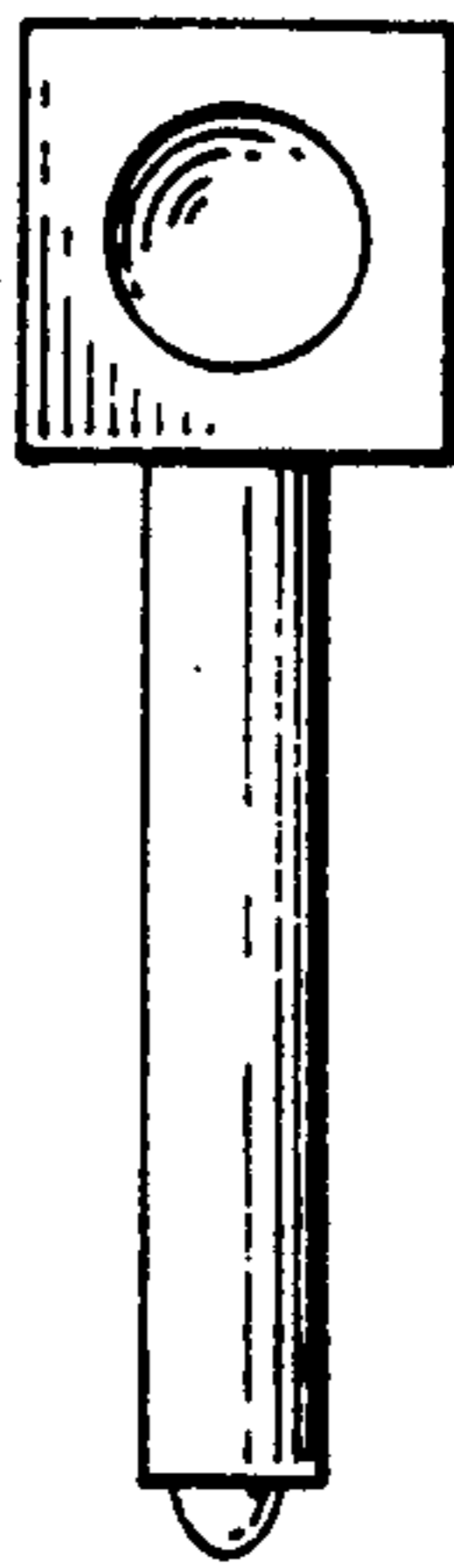


FIG. 3

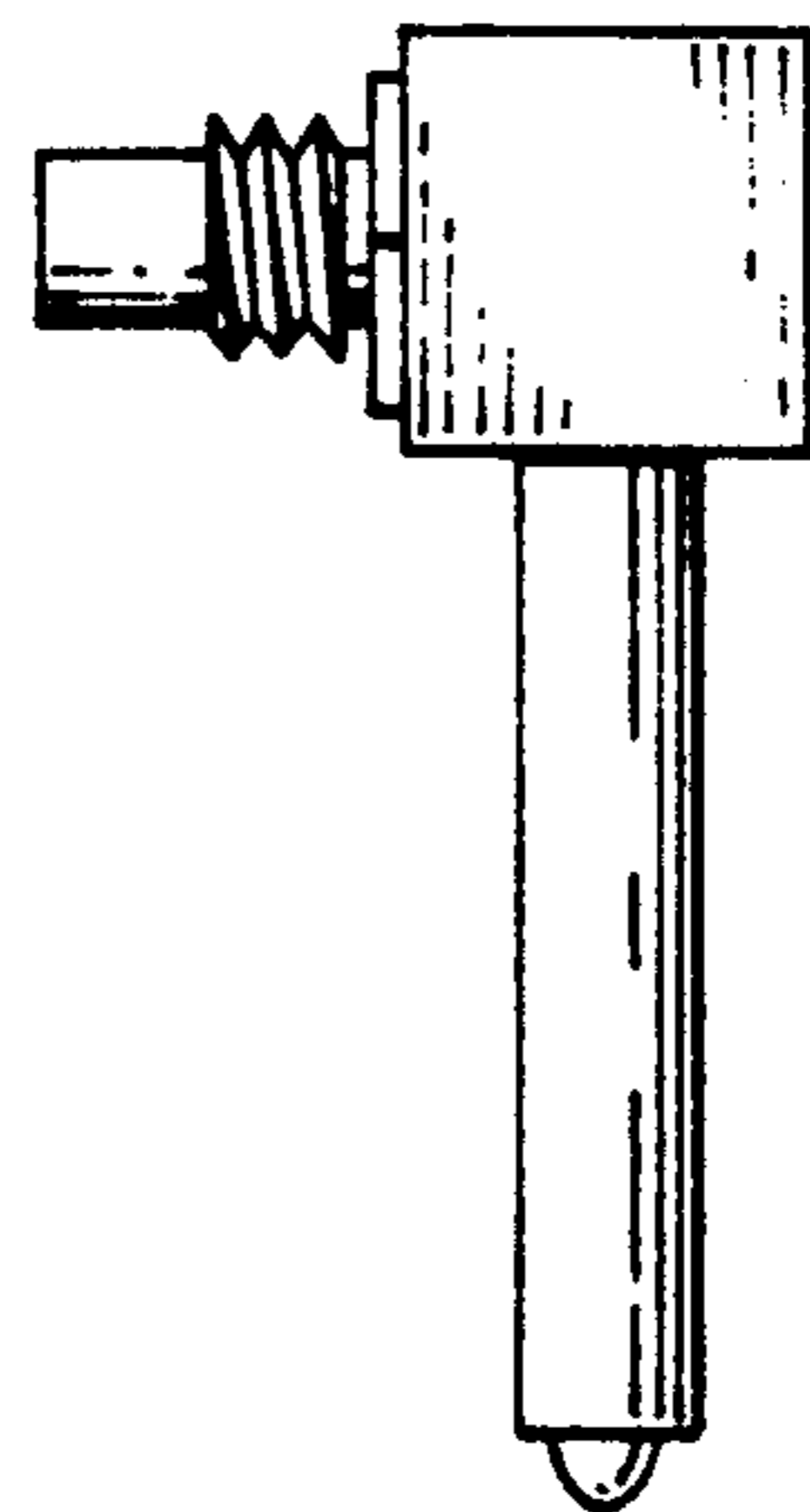


FIG. 4

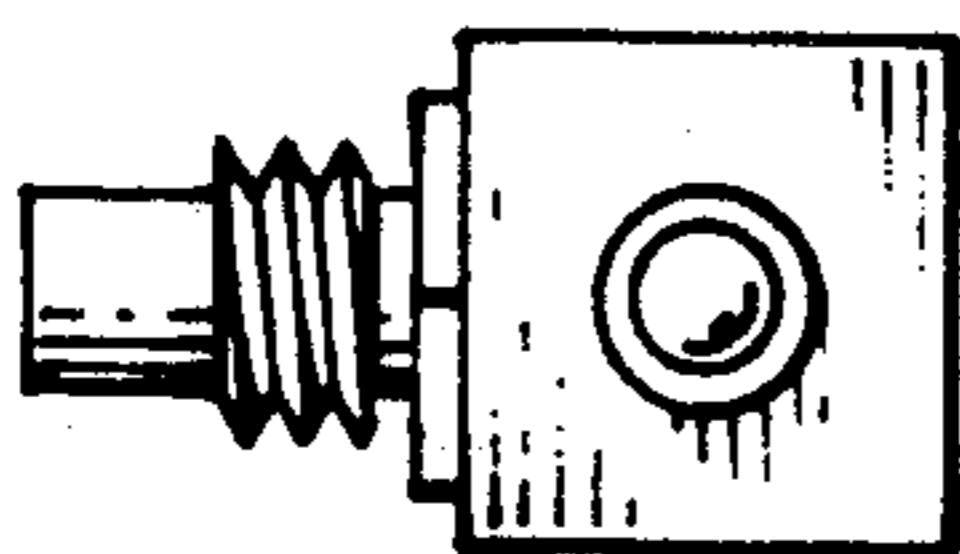


FIG. 5

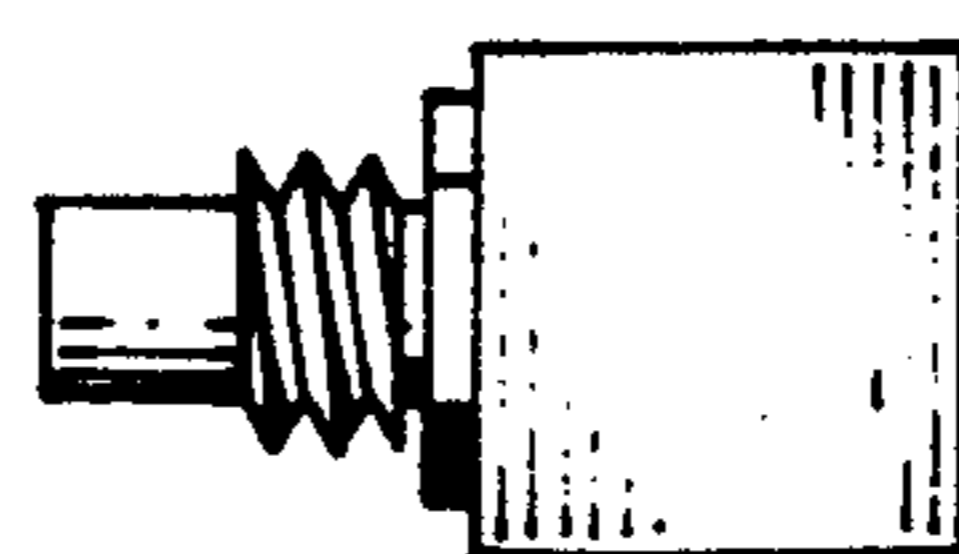


FIG. 6