



US00D337530S

# United States Patent [19]

[11] Patent Number: **Des. 337,530**

Benton

[45] Date of Patent: **\*\* Jul. 20, 1993**

[54] **CLOCK**

D. 106,039 9/1937 Hentschel ..... D10/21 X  
D. 158,602 5/1950 Nelson ..... D10/6

[75] Inventor: **Michael Benton**, Broken Arrow, Okla.

*Primary Examiner*—Nelson C. Holtje  
*Attorney, Agent, or Firm*—Sixbey, Friedman, Leedom & Ferguson

[73] Assignee: **Selco Industries Corporation**, Tulsa, Okla.

[57] **CLAIM**

[\*\*] Term: **14 Years**

The ornamental design for a clock, as shown and described.

[21] Appl. No.: **773,298**

**DESCRIPTION**

[22] Filed: **Oct. 9, 1991**

[52] U.S. Cl. .... **D10/29; D10/21**

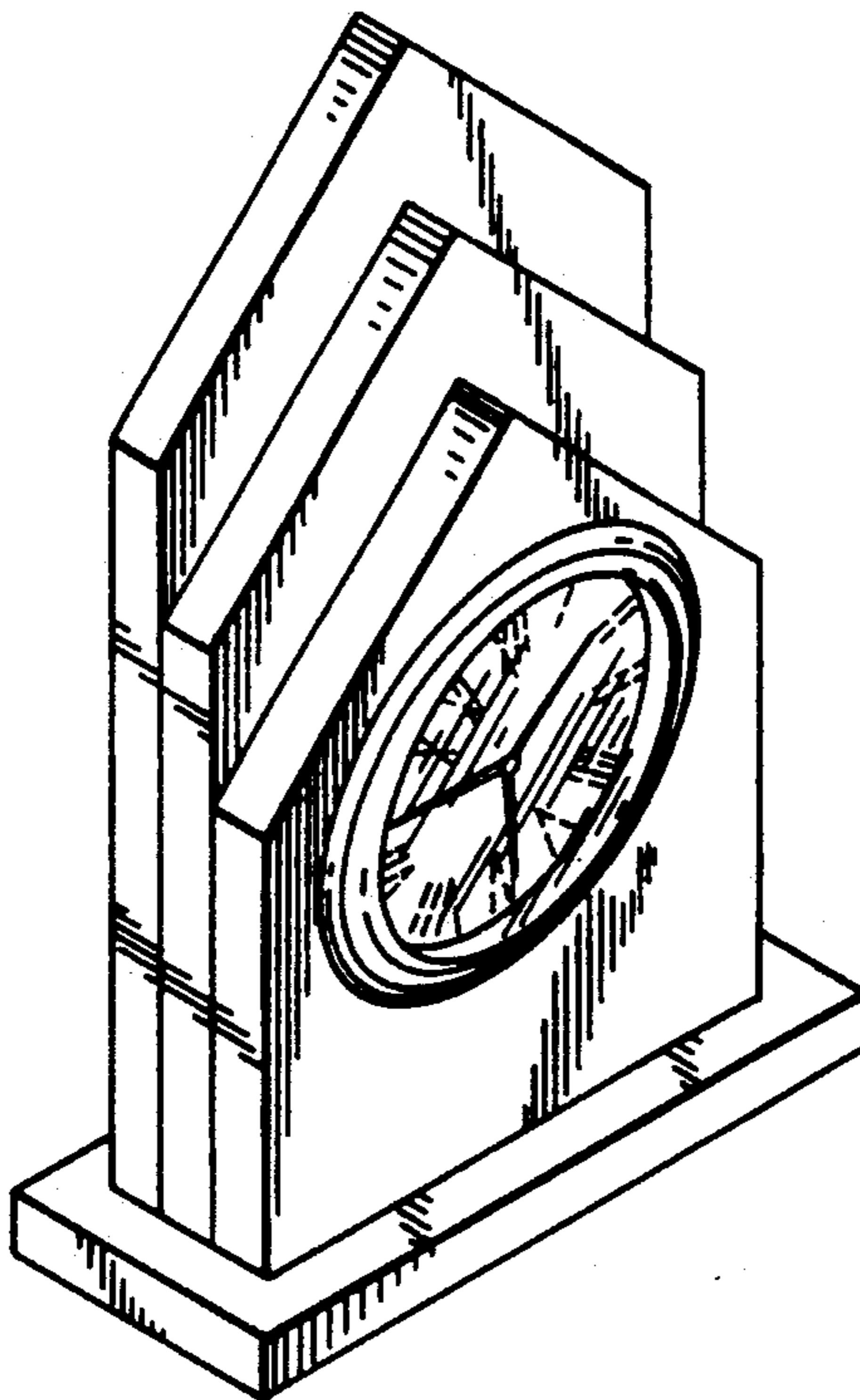
[58] Field of Search ..... **D10/1-40, D10/122-132; 368/276-277, 280-282, 285**

FIG. 1 is a left front perspective view of a clock showing my new design;  
FIG. 2 is a front elevational view of the clock of FIG. 1;  
FIG. 3 is a rear elevational view of the clock of FIG. 1;  
FIG. 4 is a left, side elevational view of the clock of FIG. 1 (the right side being a mirror image thereof);  
FIG. 5 is a top plan view of the clock of FIG. 1; and,  
FIG. 6 is a bottom plan view of the clock of FIG. 1.

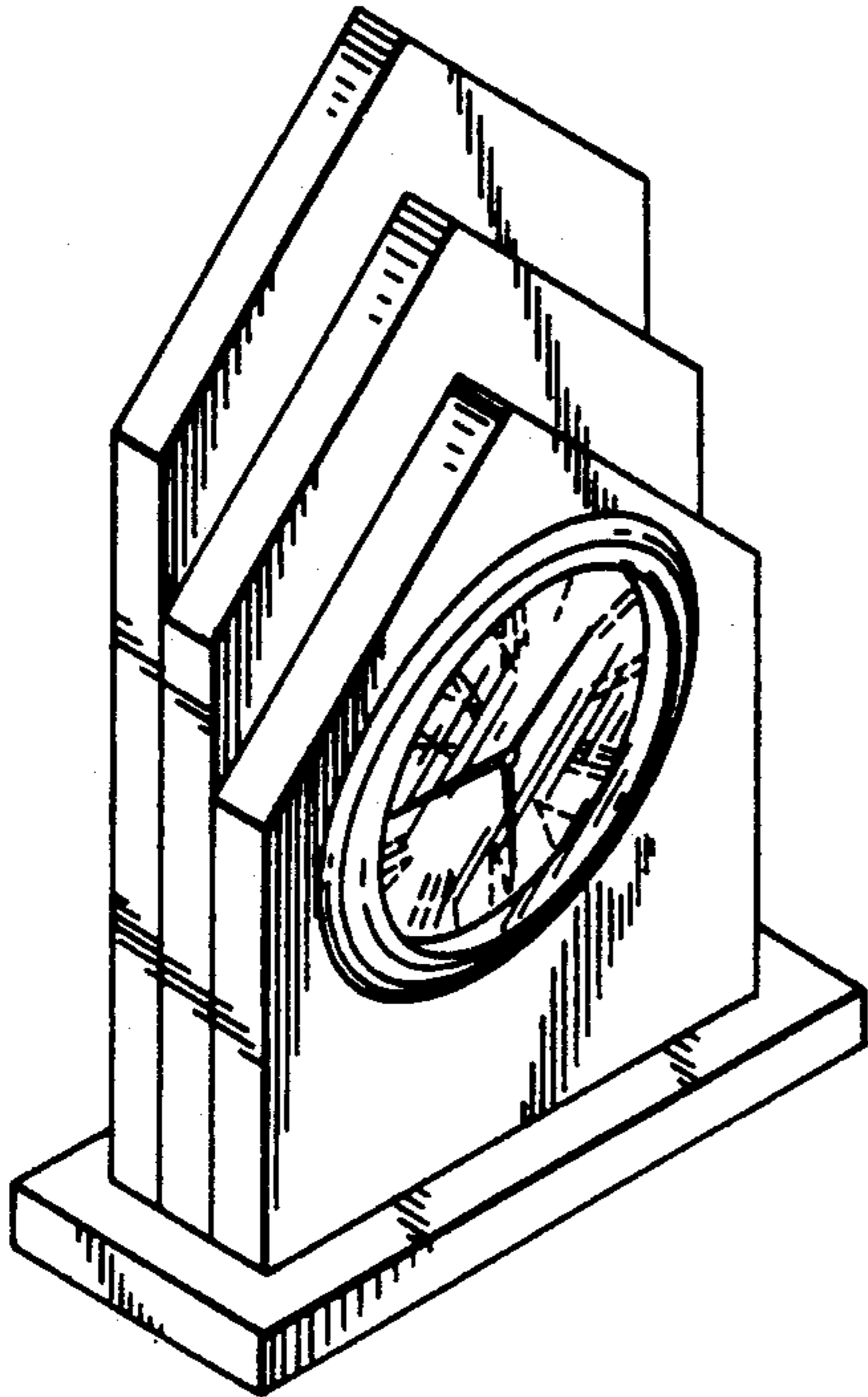
[56] **References Cited**

**U.S. PATENT DOCUMENTS**

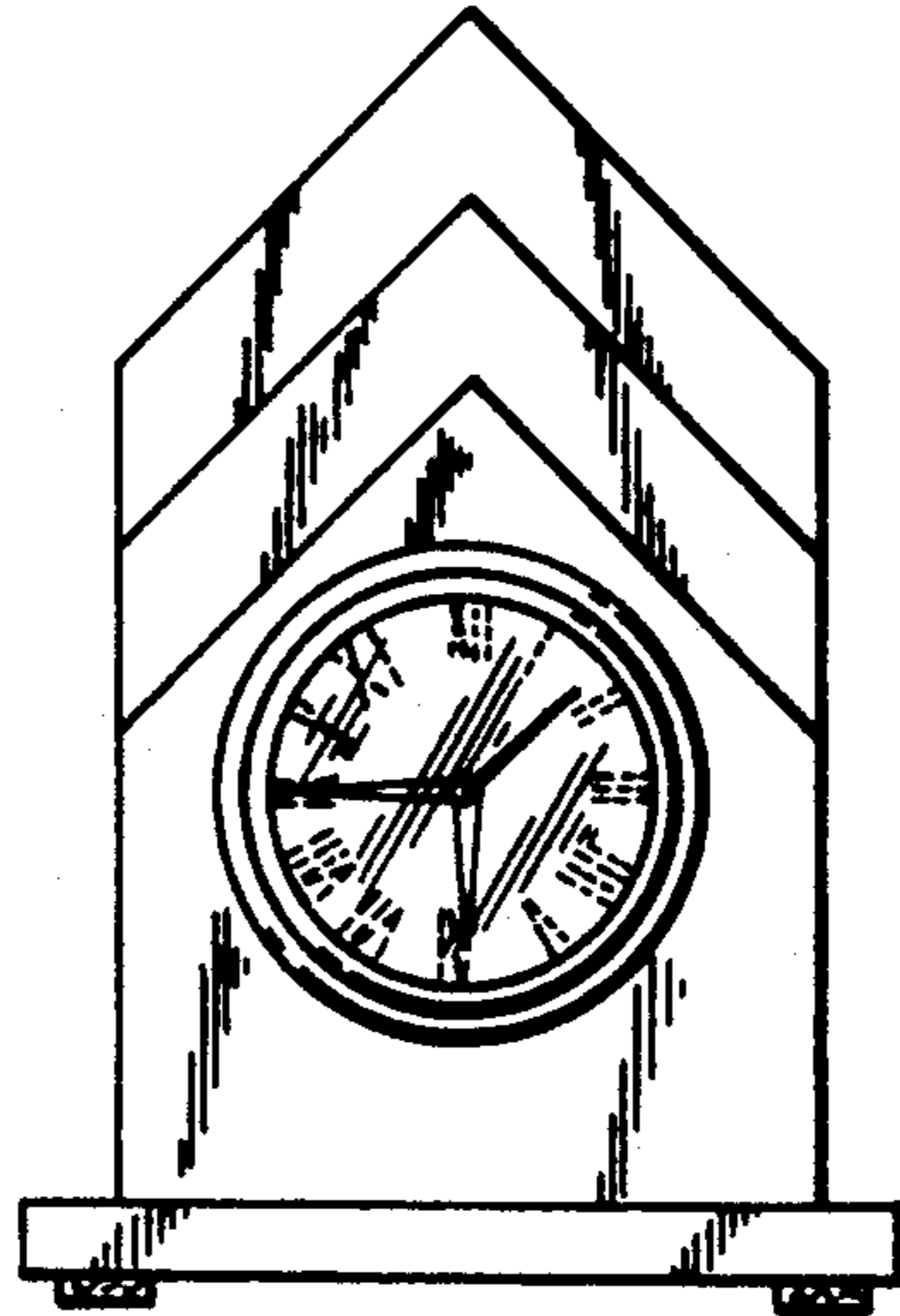
D. 1,472 9/1861 Ingraham ..... D10/29  
D. 97,782 12/1935 Patten ..... D10/28



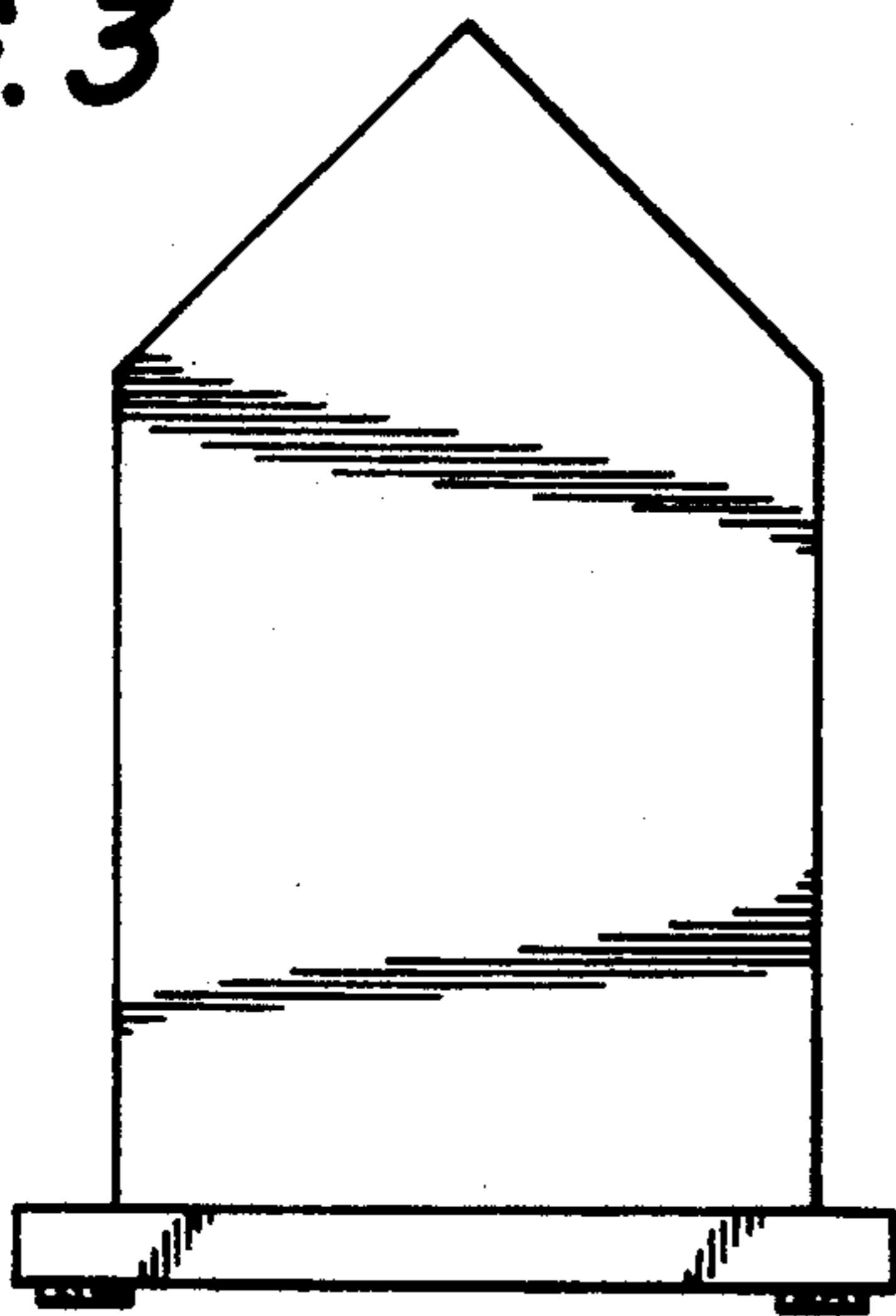
**FIG. 1**



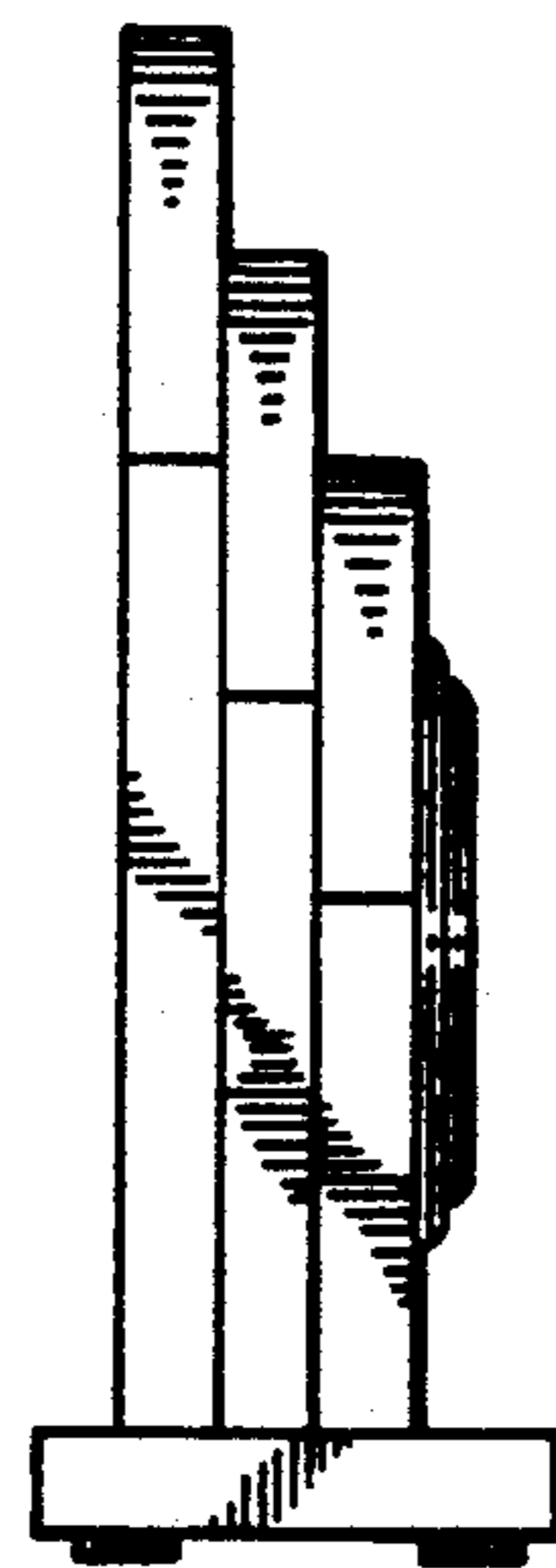
**FIG. 2**



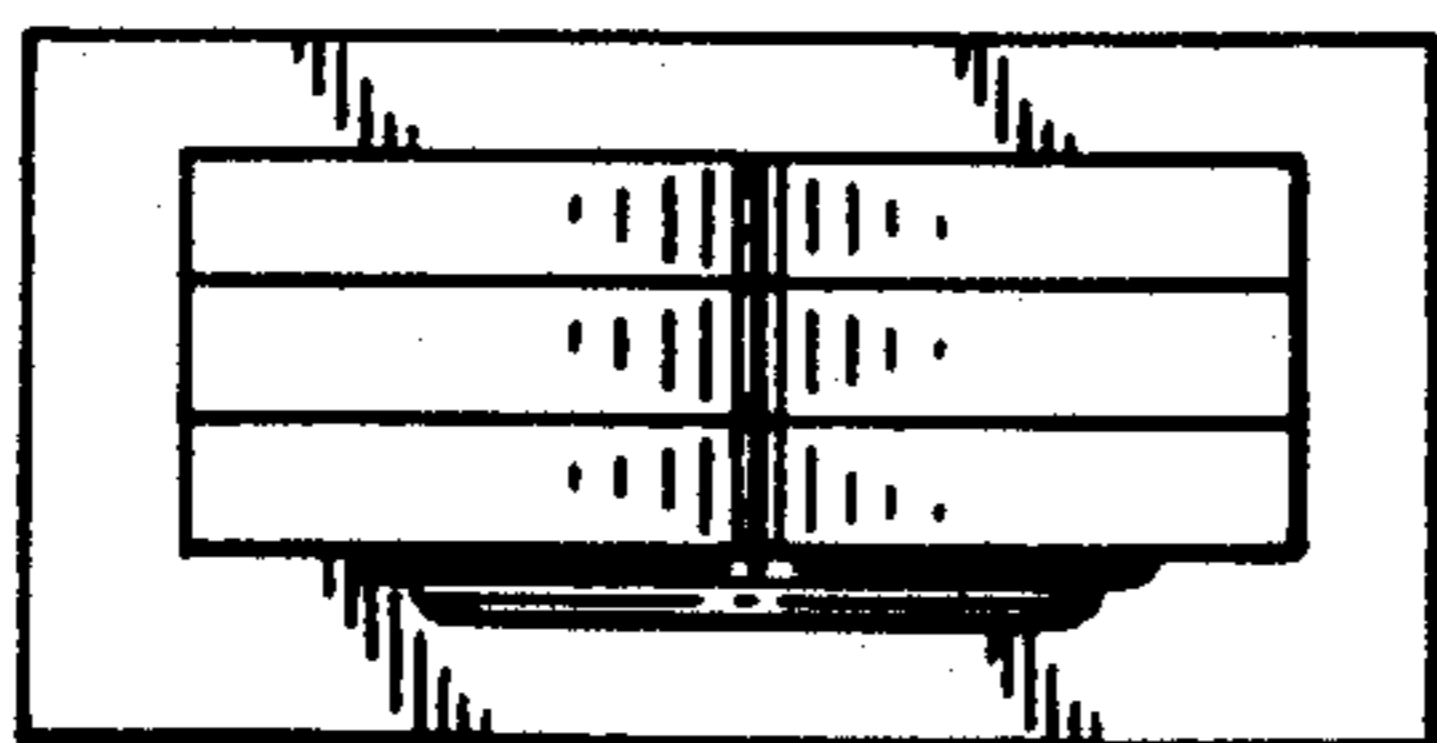
**FIG. 3**



**FIG. 4**



**FIG. 5**



**FIG. 6**

