



US00D337521S

United States Patent [19]
McNulty

[11] **Patent Number: Des. 337,521**
[45] **Date of Patent: ** Jul. 20, 1993**

[54] **CAN END**

[75] **Inventor: John McNulty, Swansea, Wales**

[73] **Assignee: CMB Foodcan plc, United Kingdom**

[**] **Term: 14 Years**

[21] **Appl. No.: 705,794**

[22] **Filed: May 28, 1991**

[30] **Foreign Application Priority Data**

Dec. 1, 1990 [GB] United Kingdom 2011425
[52] **U.S. Cl. D9/438; D9/435**
[58] **Field of Search D9/435, 438, 518, 449;**
220/269, 270, 272, 273

[56] **References Cited**

U.S. PATENT DOCUMENTS

D. 286,367 10/1986 Murphy D9/449 X
3,557,997 1/1971 Stanley 220/273
4,890,759 1/1990 Scanza et al. 220/273

Primary Examiner—B. J. Bullock
Assistant Examiner—Dominic Simone
Attorney, Agent, or Firm—Diller, Ramik & Wight

[57] **CLAIM**

The ornamental design for a can end, as shown and described.

DESCRIPTION

FIG. 1 is a perspective view of a can end showing my new design;
FIG. 2 is an underplan view thereof;
FIG. 3 is a top plan view thereof;
FIG. 4 is a side view thereof; and,
FIG. 5 is a cross-sectional view thereof taken on the line 5—5 in FIG. 3.

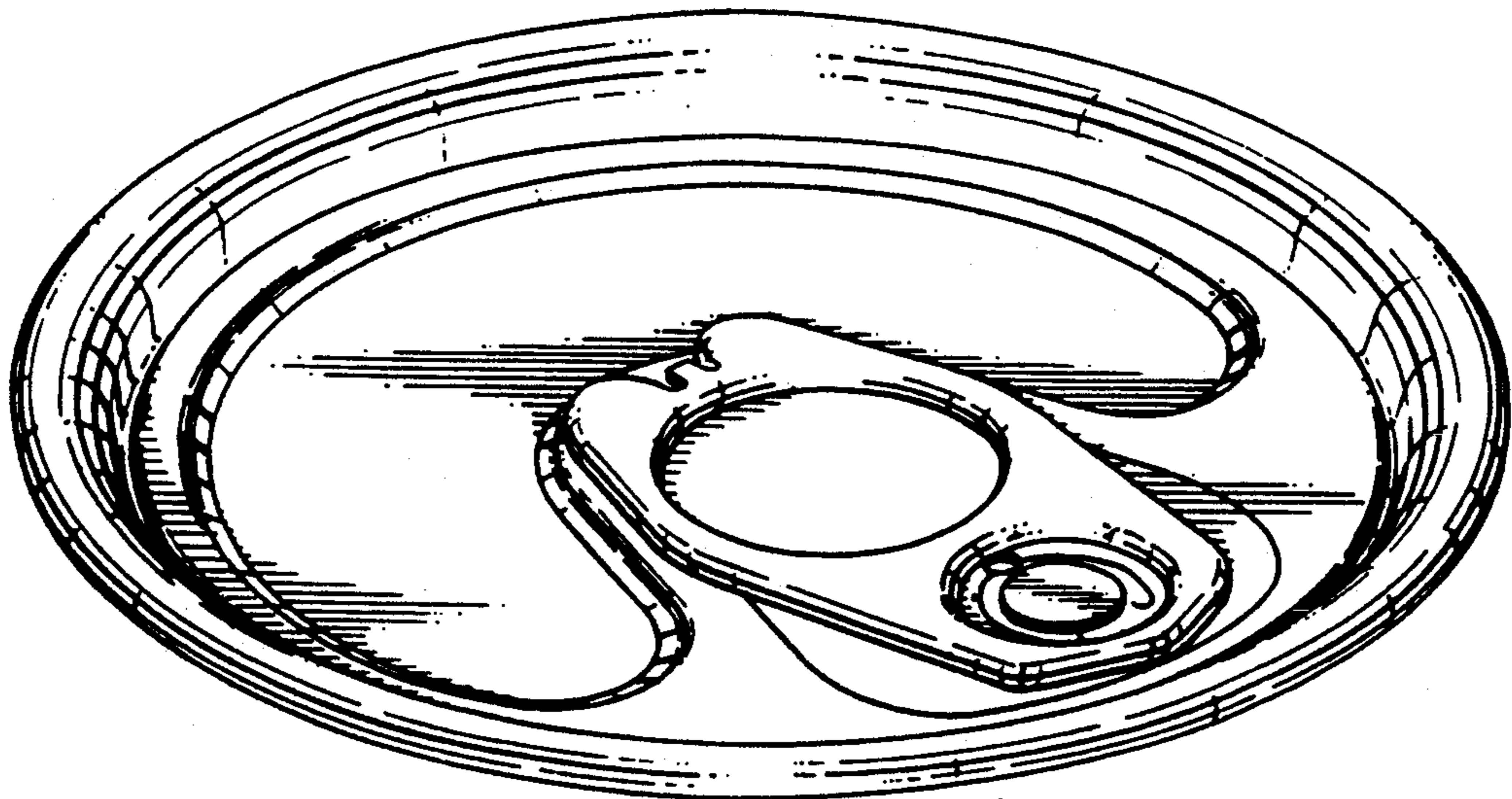


Fig.1

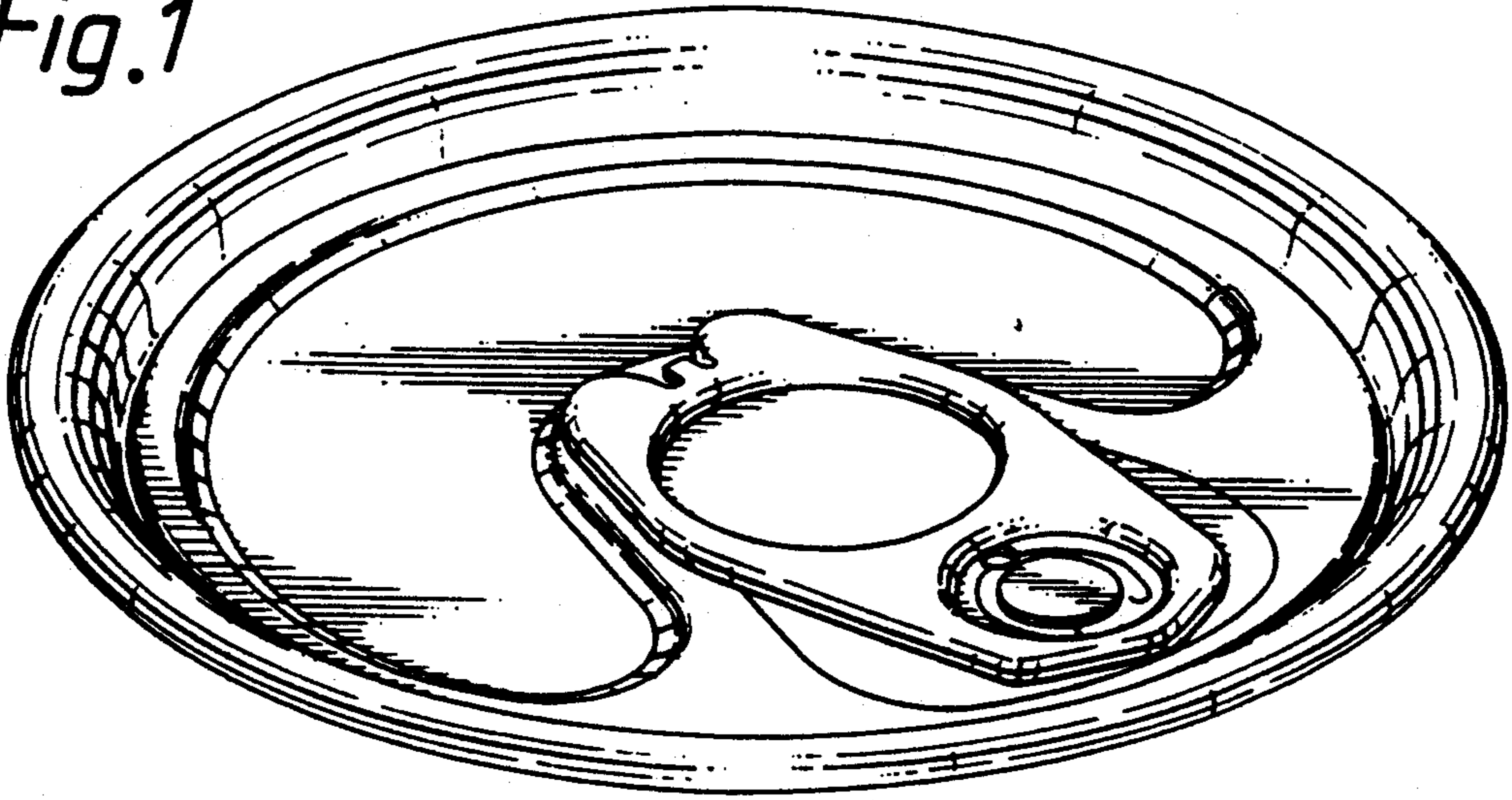


Fig.2

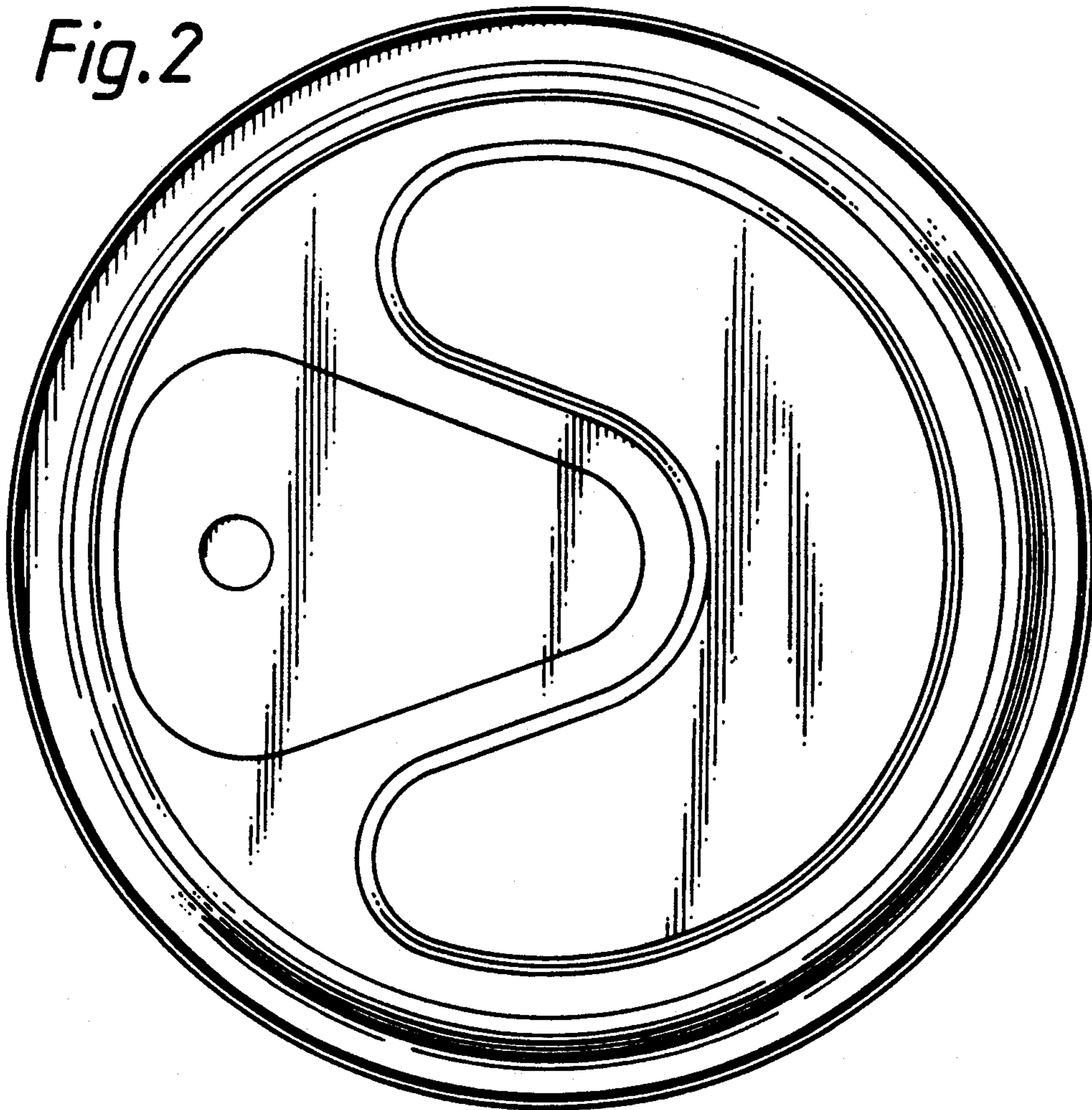


Fig.3

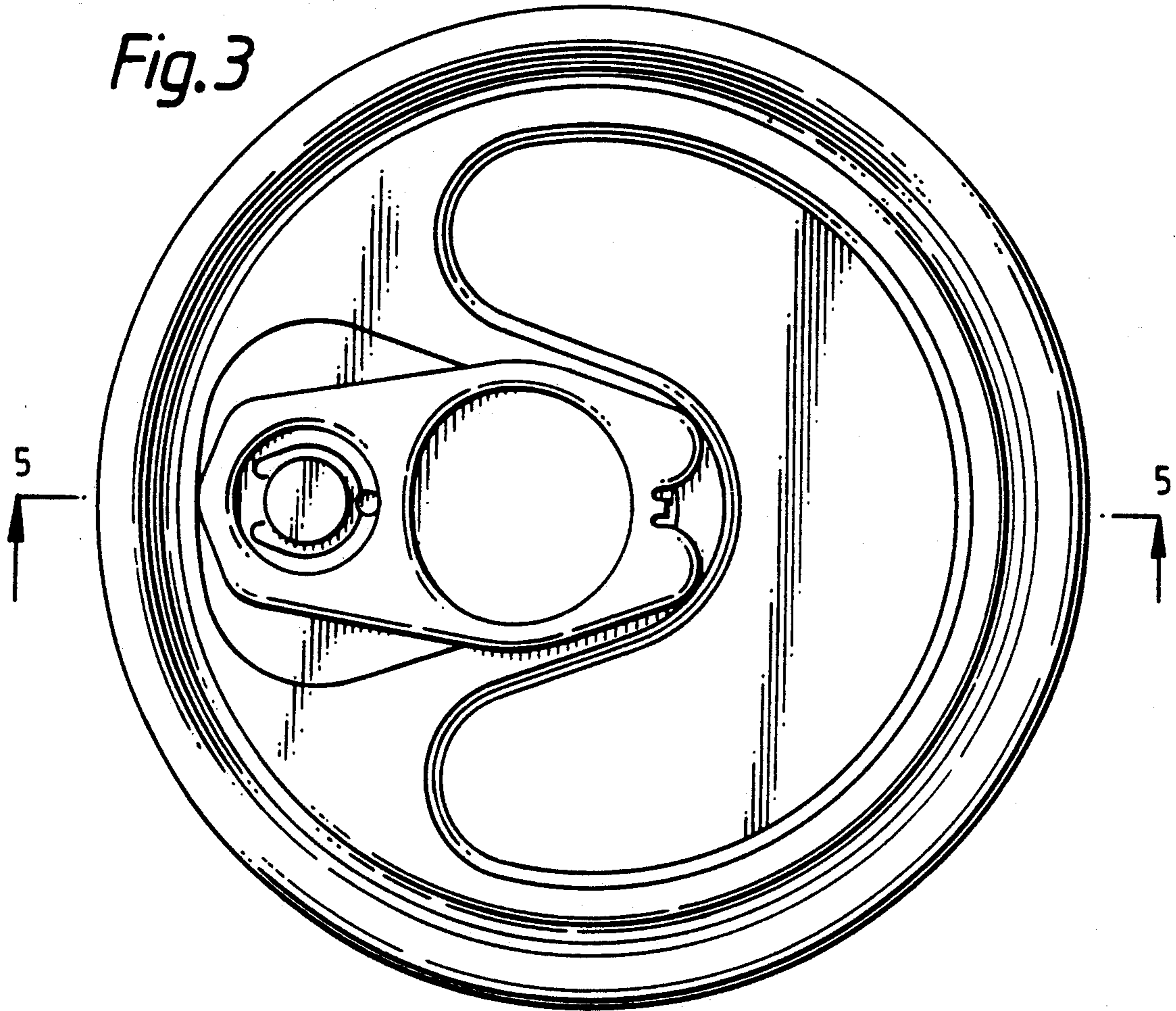


Fig.4

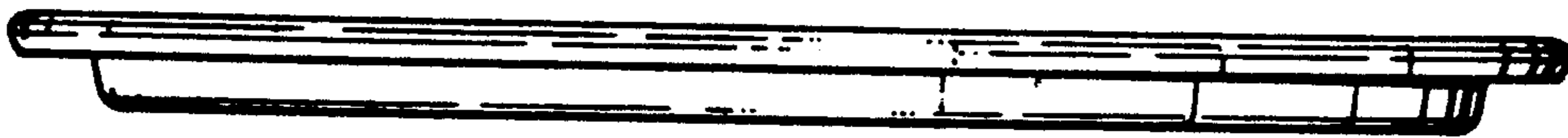


Fig.5

