



US00D337515S

# United States Patent [19]

[11] Patent Number: **Des. 337,515**

Hsu

[45] Date of Patent: **\*\* Jul. 20, 1993**

[54] LUGGAGE WHEEL

[75] Inventor: **Ching-Shih Hsu, Taipei, Taiwan**

[73] Assignee: **Universal World Wide Business Inc., Taipei, Taiwan**

[\*\*] Term: **14 Years**

[21] Appl. No.: **728,997**

[22] Filed: **Jul. 12, 1991**

[52] U.S. Cl. .... **D8/375**

[58] Field of Search ..... **D8/375; 16/18 R, 18 CG, 16/47**

1,160,121	11/1915	Allen .....	16/47 X
2,059,348	11/1936	Herold .....	16/18 CG
3,805,321	4/1974	Hodge .....	16/18 CG
4,321,727	3/1982	Sheiman et al. ....	16/18 R
4,759,097	7/1988	Black .....	16/18 CG

*Primary Examiner*—Wallace R. Burke

*Assistant Examiner*—H. Baynham

*Attorney, Agent, or Firm*—Jacobson, Price, Holman & Stern

### [57] CLAIM

The ornamental design for a luggage wheel, as shown and described.

### DESCRIPTION

FIG. 1 is a front elevational view of luggage wheel showing my new design;

FIG. 2 is a rear elevational view thereof;

FIG. 3 is a left side view thereof;

FIG. 4 is a right side view thereof;

FIG. 5 is a top plan view thereof;

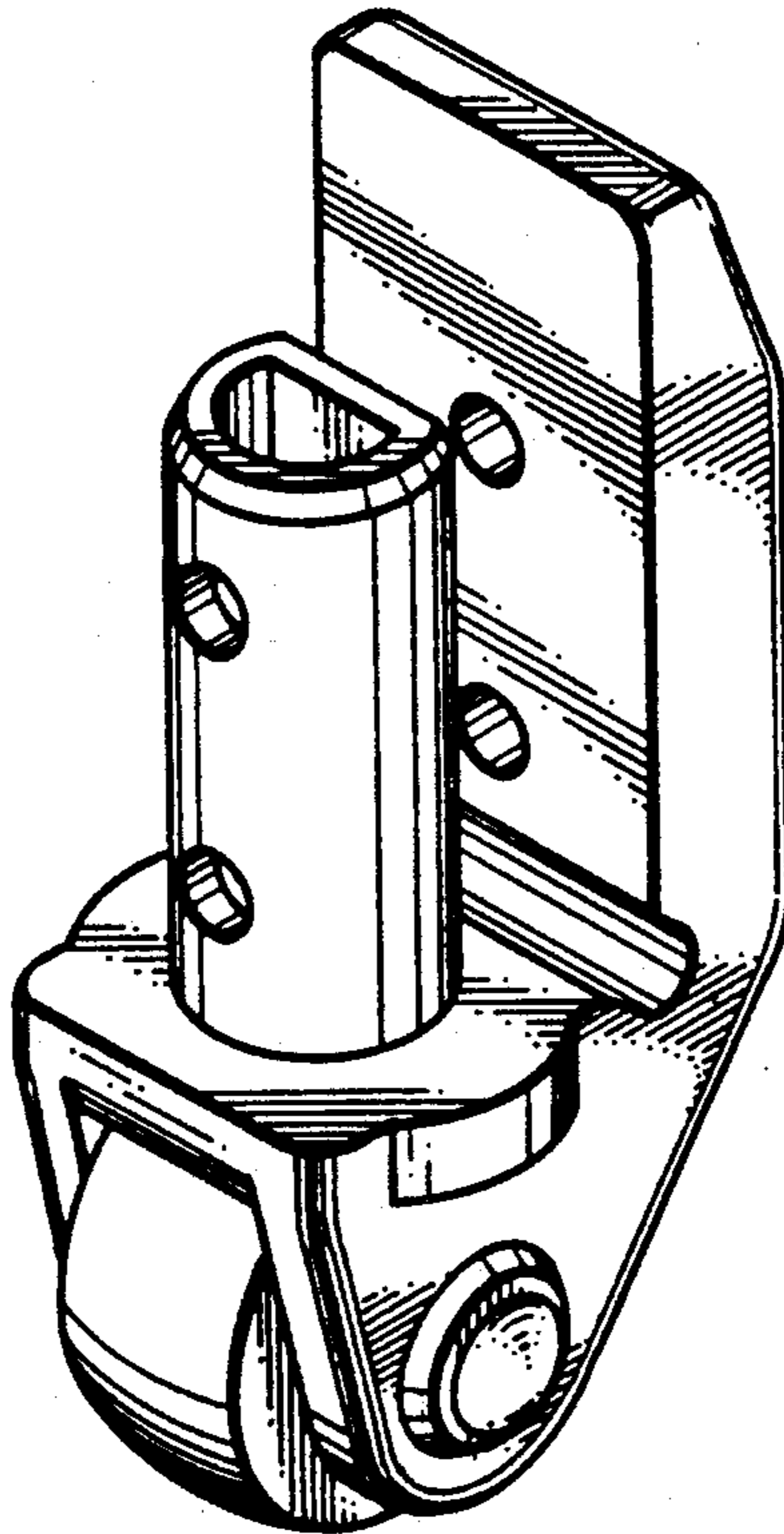
FIG. 6 is a bottom plan view thereof; and,

FIG. 7 is a perspective view thereof.

### [56] References Cited

#### U.S. PATENT DOCUMENTS

D. 73,844	11/1927	Johnson .....	D8/375
D. 73,845	11/1927	Johnson .....	D8/375
D. 185,601	6/1959	Godard .....	D8/375
D. 218,142	7/1970	Forman .....	D8/375
D. 241,513	9/1976	Fontana .....	D8/375
D. 310,622	9/1990	Screen .....	D8/375



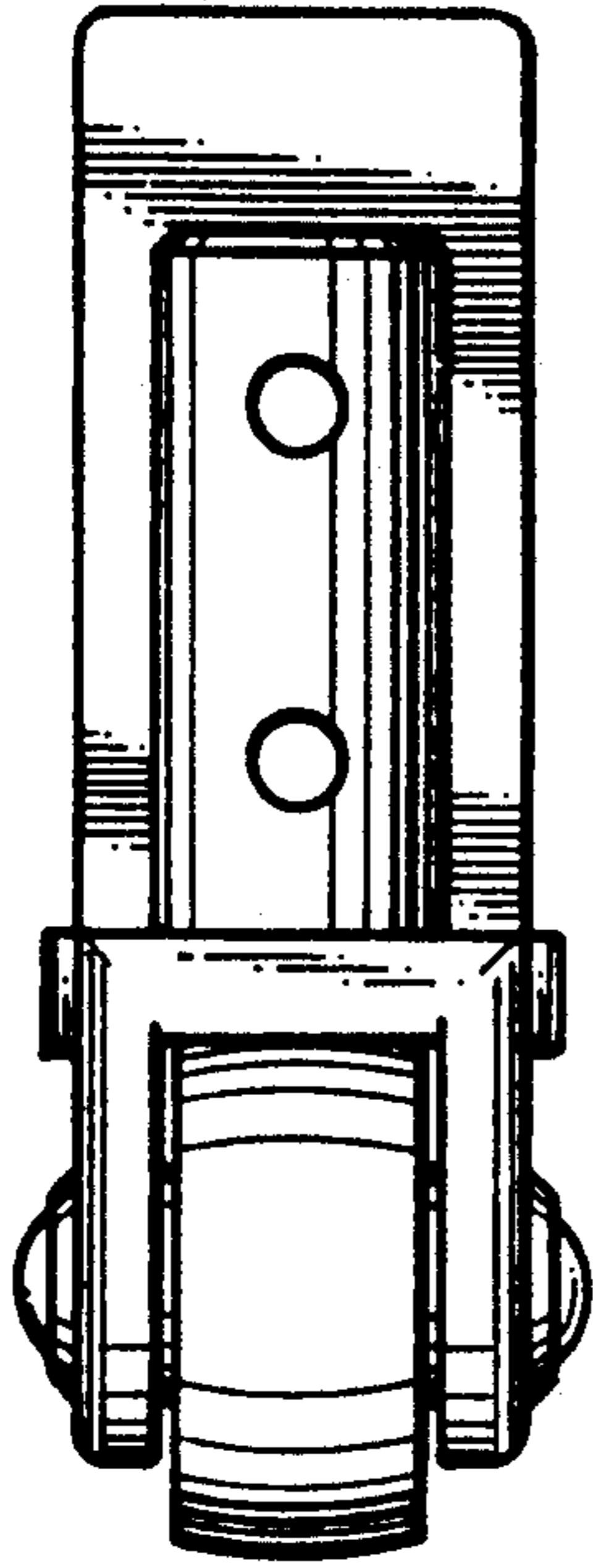


FIG. 1

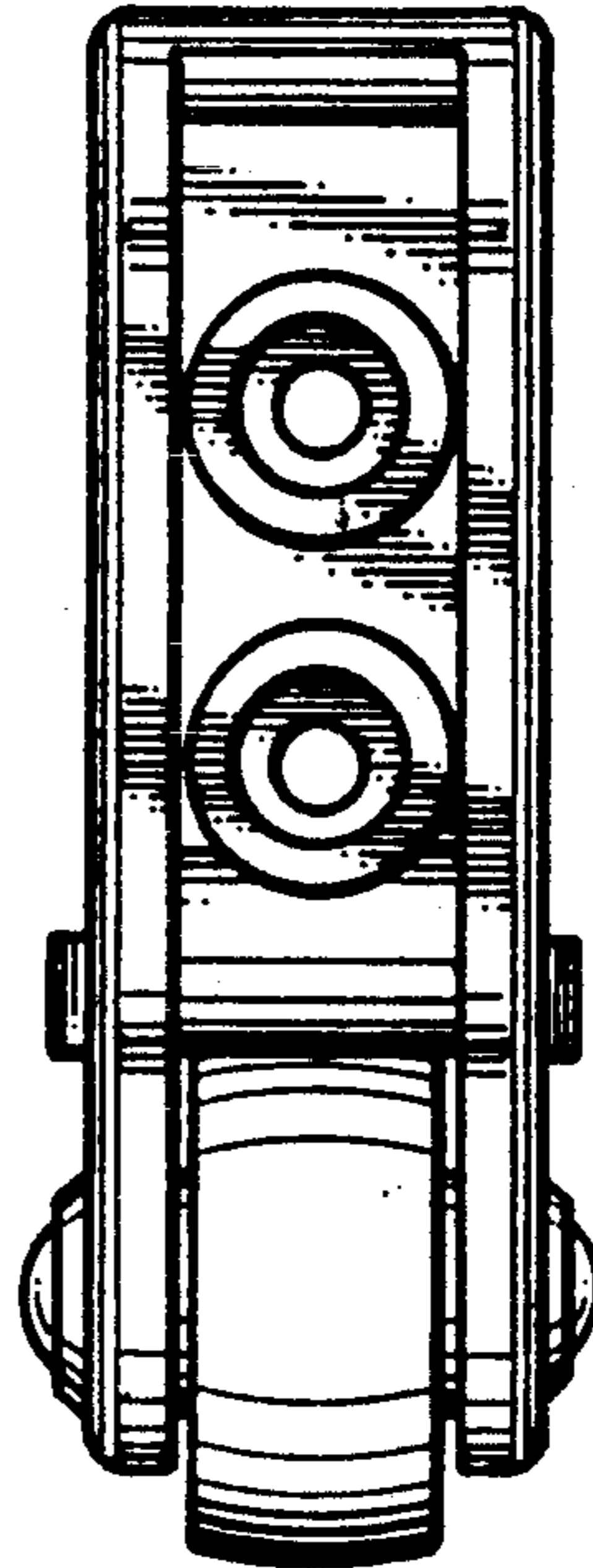


FIG. 2

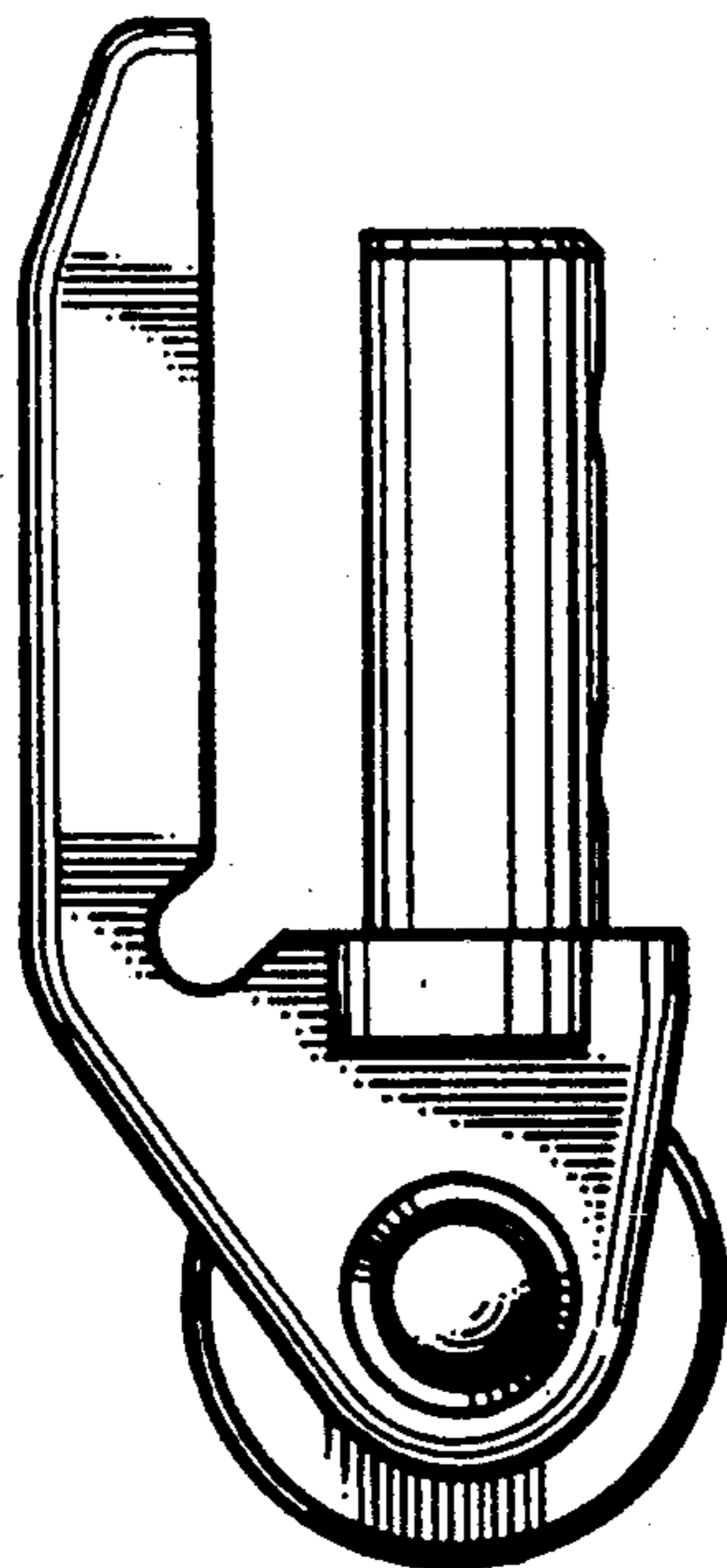


FIG. 3

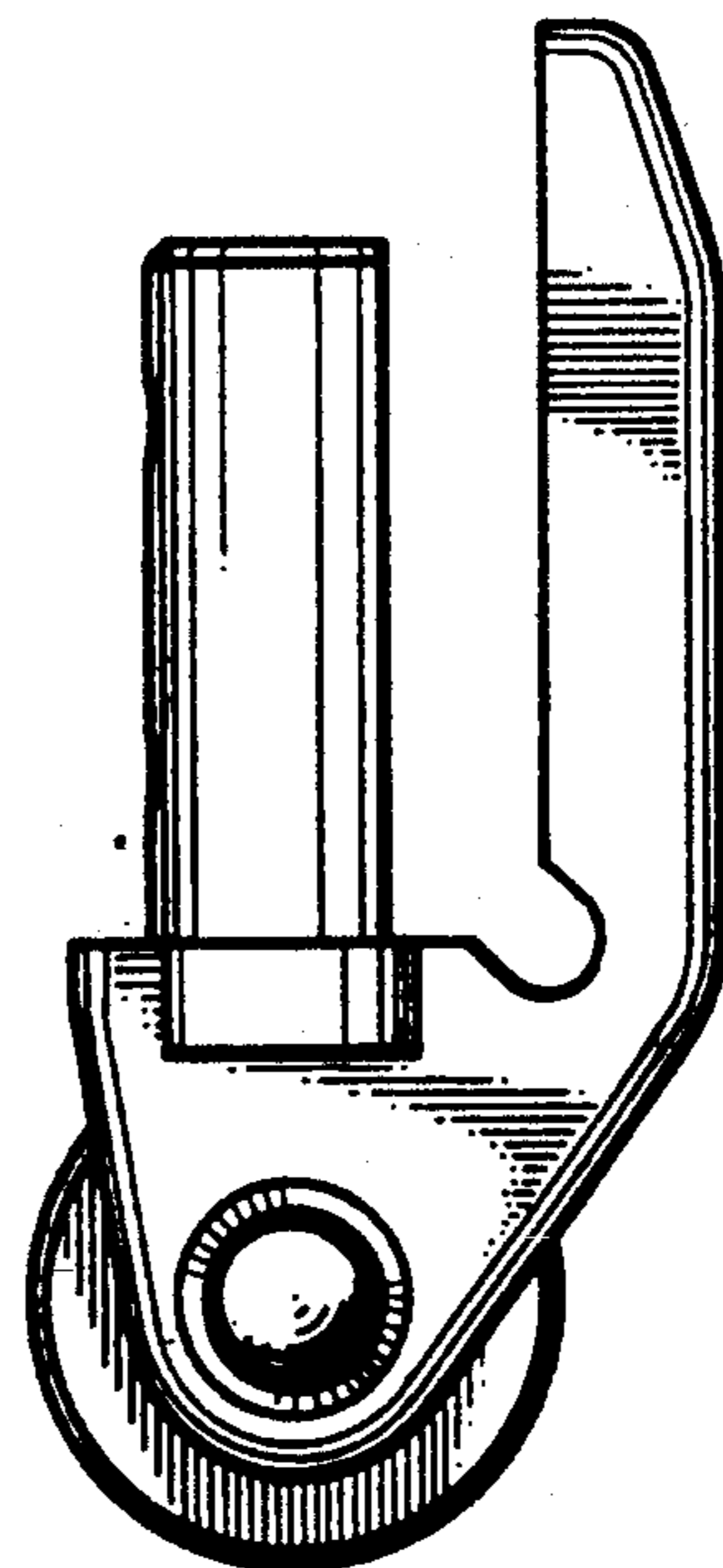


FIG. 4

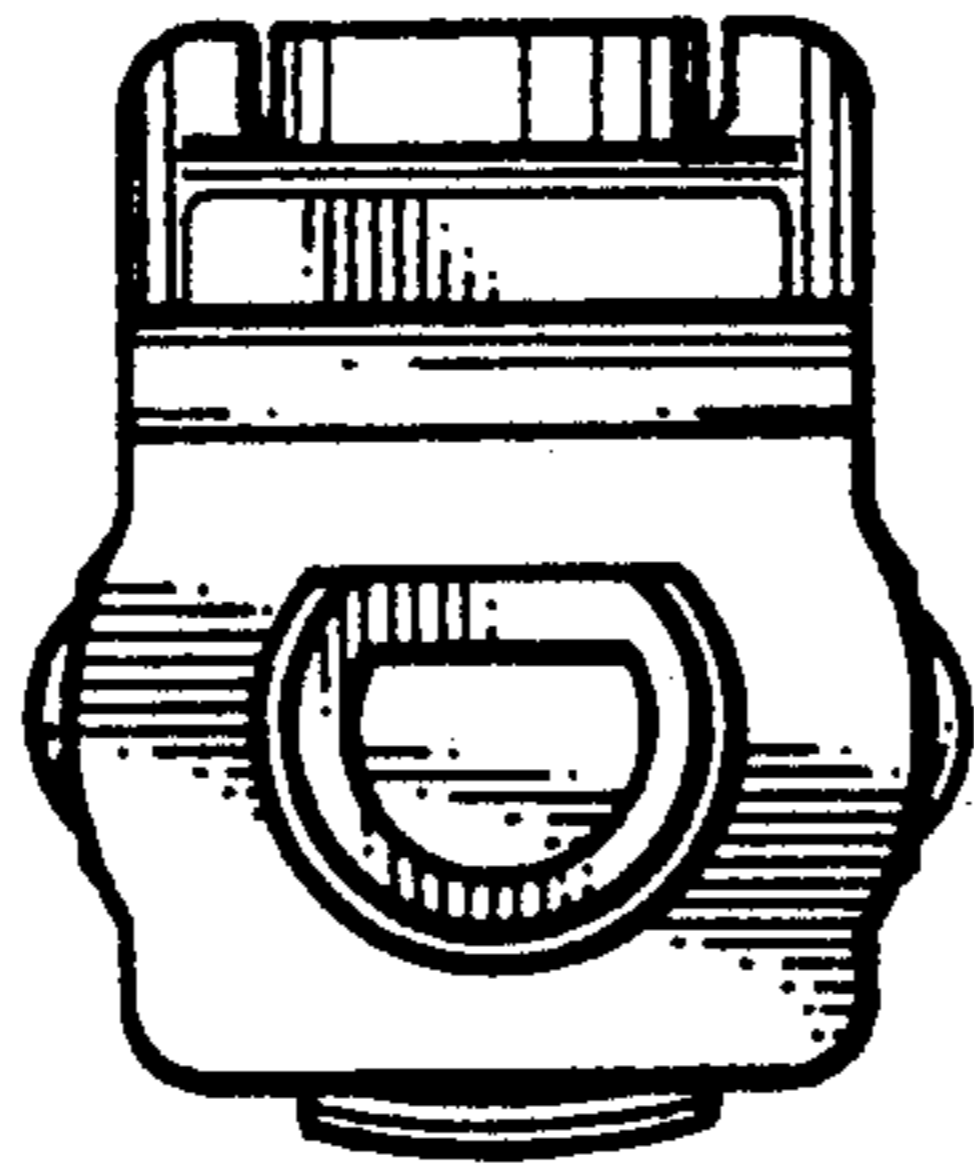


FIG. 5

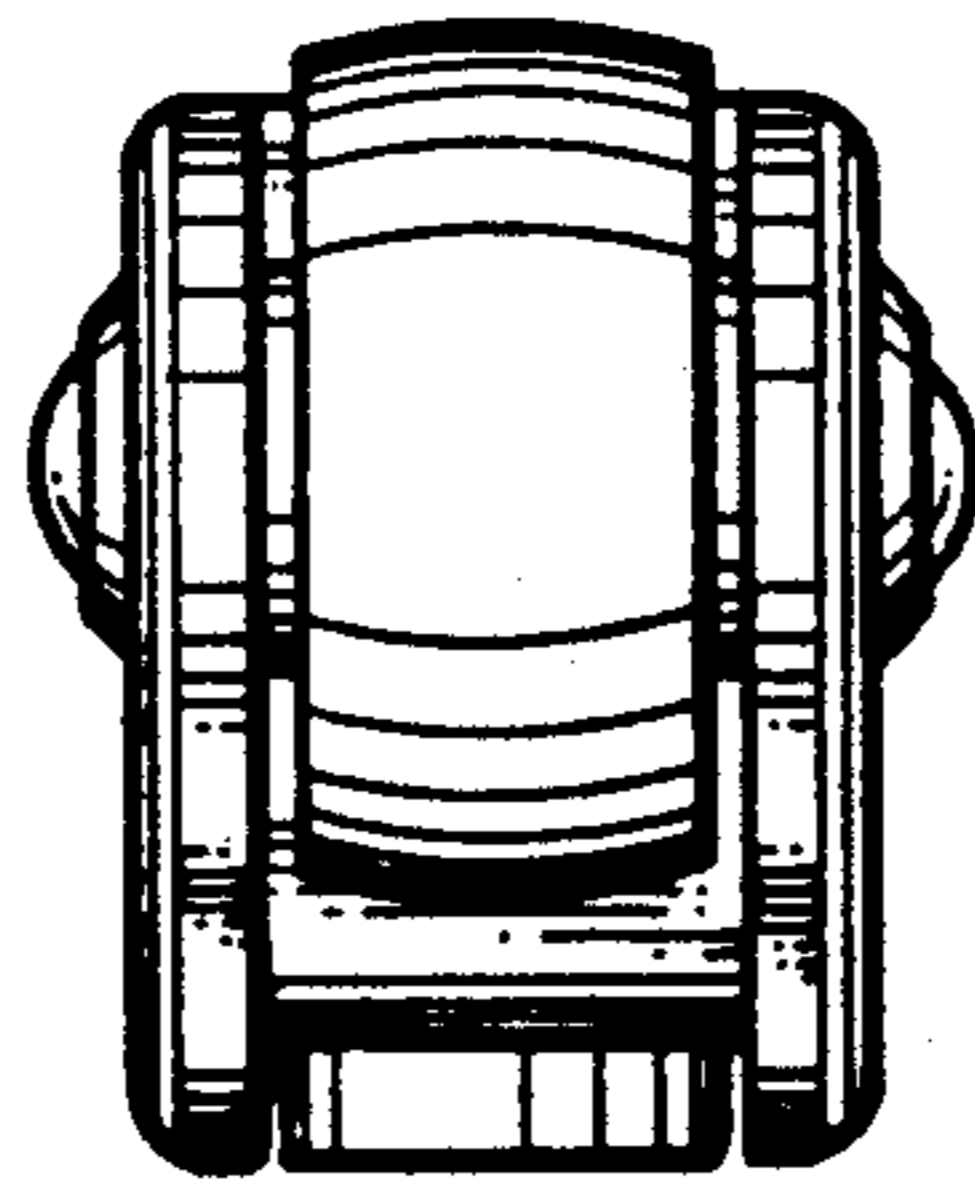


FIG. 6

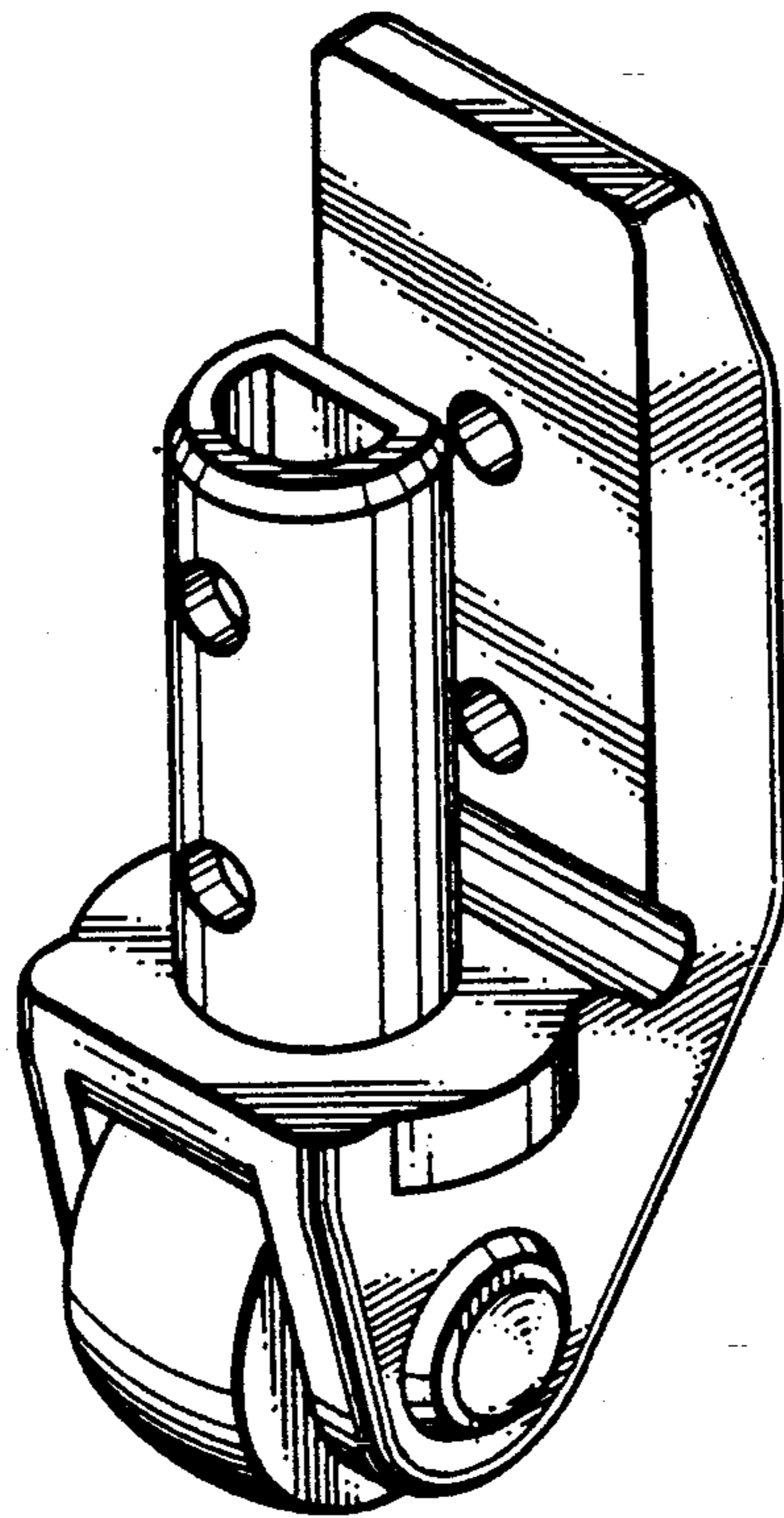


FIG. 7