



US00D337514S

United States Patent [19]

Nasca

[11] Patent Number: **Des. 337,514**

[45] Date of Patent: **** Jul. 20, 1993**

[54] **BOLT HOLDER**

[76] Inventor: **Gerald Nasca**, 8322 Chester Dr.,
Sacramento, Calif. 95830

[**] Term: **14 Years**

[21] Appl. No.: **701,969**

[22] Filed: **May 16, 1991**

[52] U.S. Cl. **D8/373**

[58] Field of Search **D8/349, 354, 373;**
D25/133; 52/705, 704; 249/205; 248/300,
224.1

4,524,553 6/1985 Hacker 52/169.11
4,640,063 2/1987 Ayala 52/127.3
4,671,483 1/1987 Harbeke 249/91
4,790,509 12/1988 Cardwell et al. 249/93

FOREIGN PATENT DOCUMENTS

2632717 1/1978 Fed. Rep. of Germany .

Primary Examiner—Wallace R. Burke

Assistant Examiner—H. Baynham

Attorney, Agent, or Firm—Bernhard Kreten

[57] CLAIM

The ornamental design for a bolt holder, as shown and described.

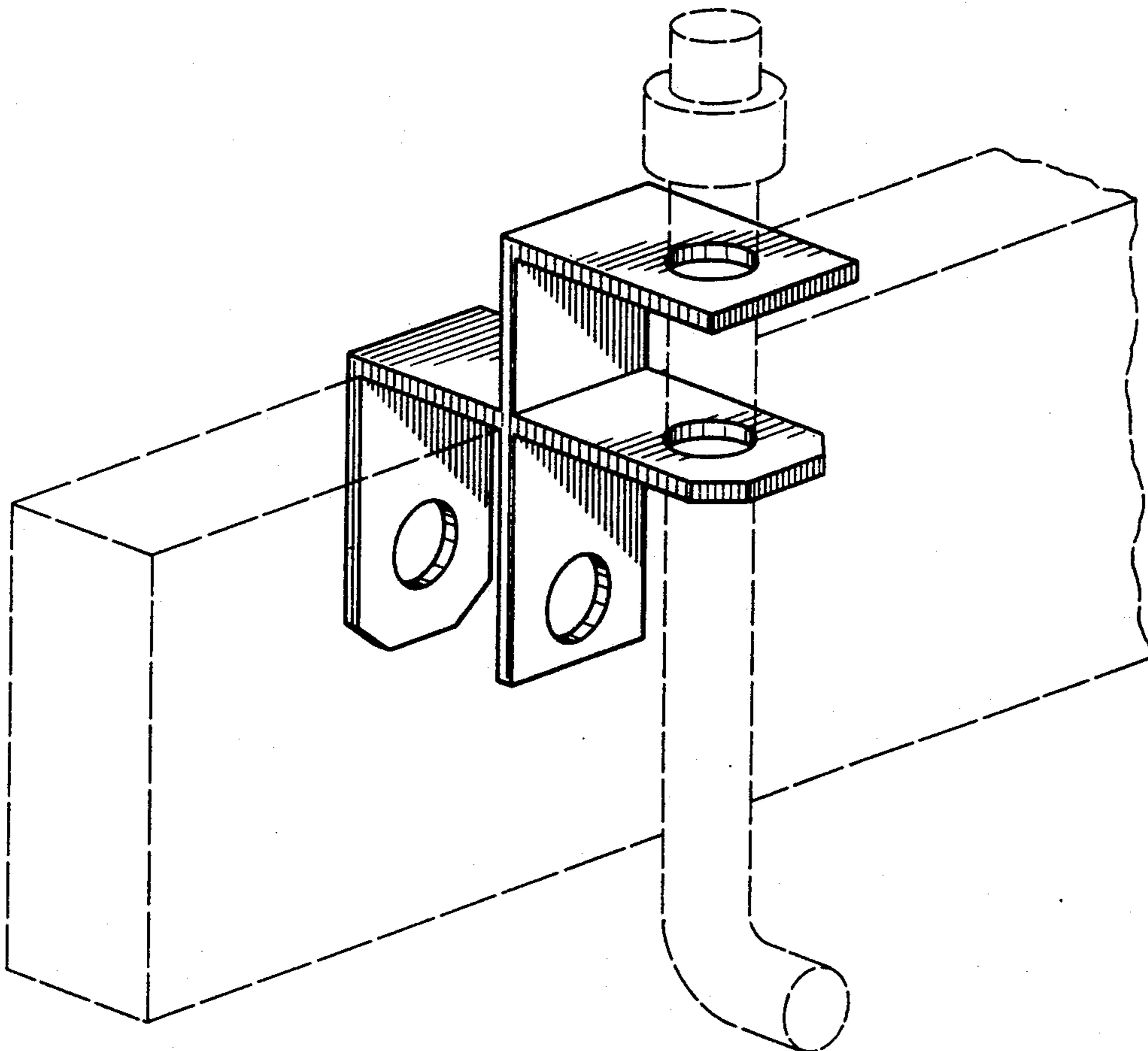
[56] References Cited

U.S. PATENT DOCUMENTS

D. 229,822	1/1974	Born	D8/394 X
D. 246,573	12/1977	White	D8/384
D. 255,869	7/1980	Glynn et al.	D8/349 X
2,163,808	6/1939	Pithoud	189/21
2,691,293	10/1954	Patterson	72/71
3,126,928	3/1964	McMillan	145/1
3,150,429	9/1964	Shaffer	25/118
3,377,763	4/1968	Beckman	52/584
3,458,184	7/1969	Schlosser	269/287
3,490,760	1/1970	Nil	269/321
3,960,356	6/1976	Adams	249/205
4,000,591	1/1977	Courtois	52/125

DESCRIPTION

FIG. 1 is perspective view of a bolt holder showing my new design;
FIG. 2 is a top view thereof;
FIG. 3 is a bottom view thereof;
FIG. 4 is a front elevational view thereof;
FIG. 5 is a rear elevational view thereof; and,
FIG. 6 is a side elevational view thereof with the opposite side being a mirror image thereof.
The broken line showing of a bolt and a panel is for illustrative purposes only and forms no part of the claimed design.



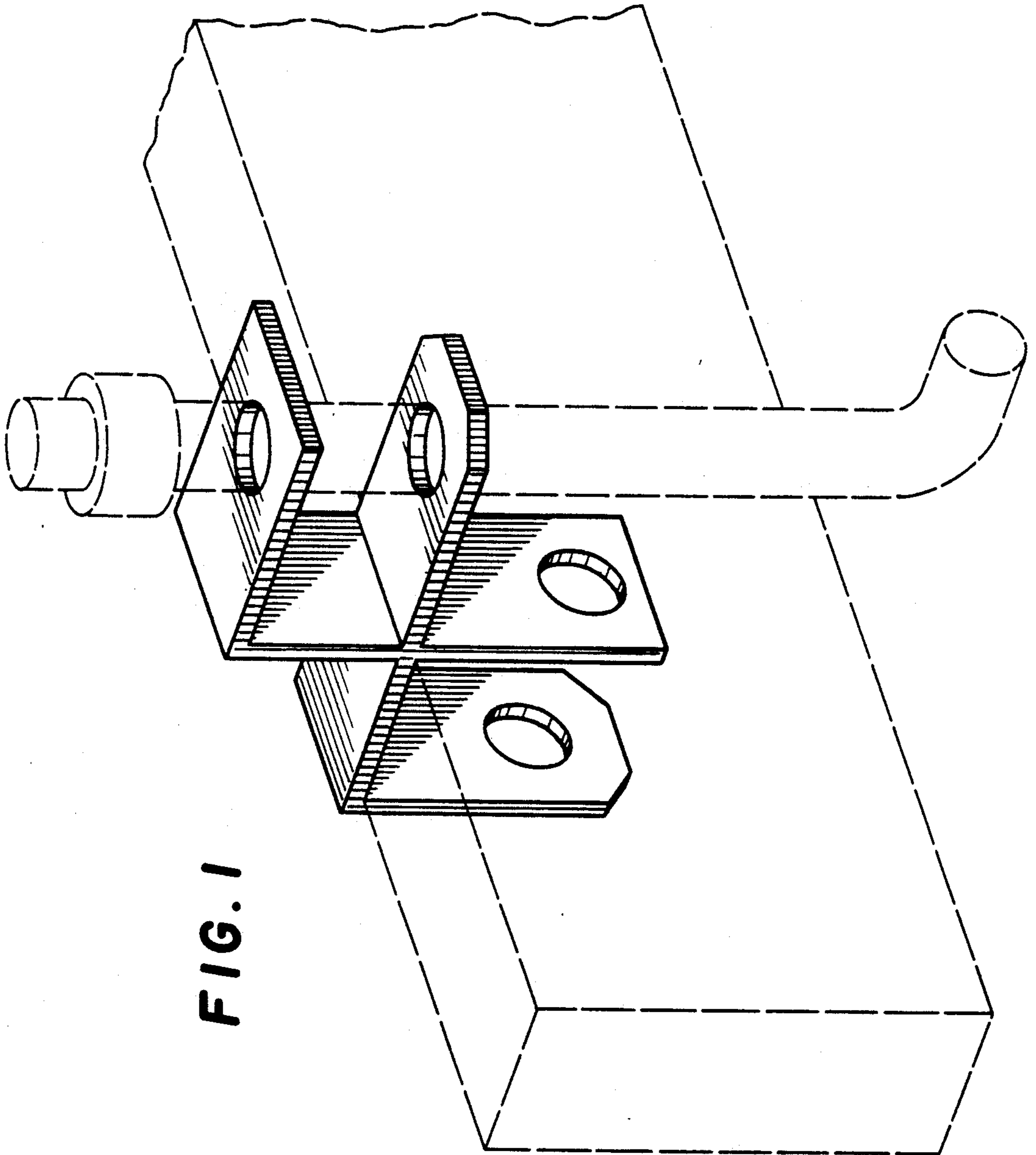


FIG. 1

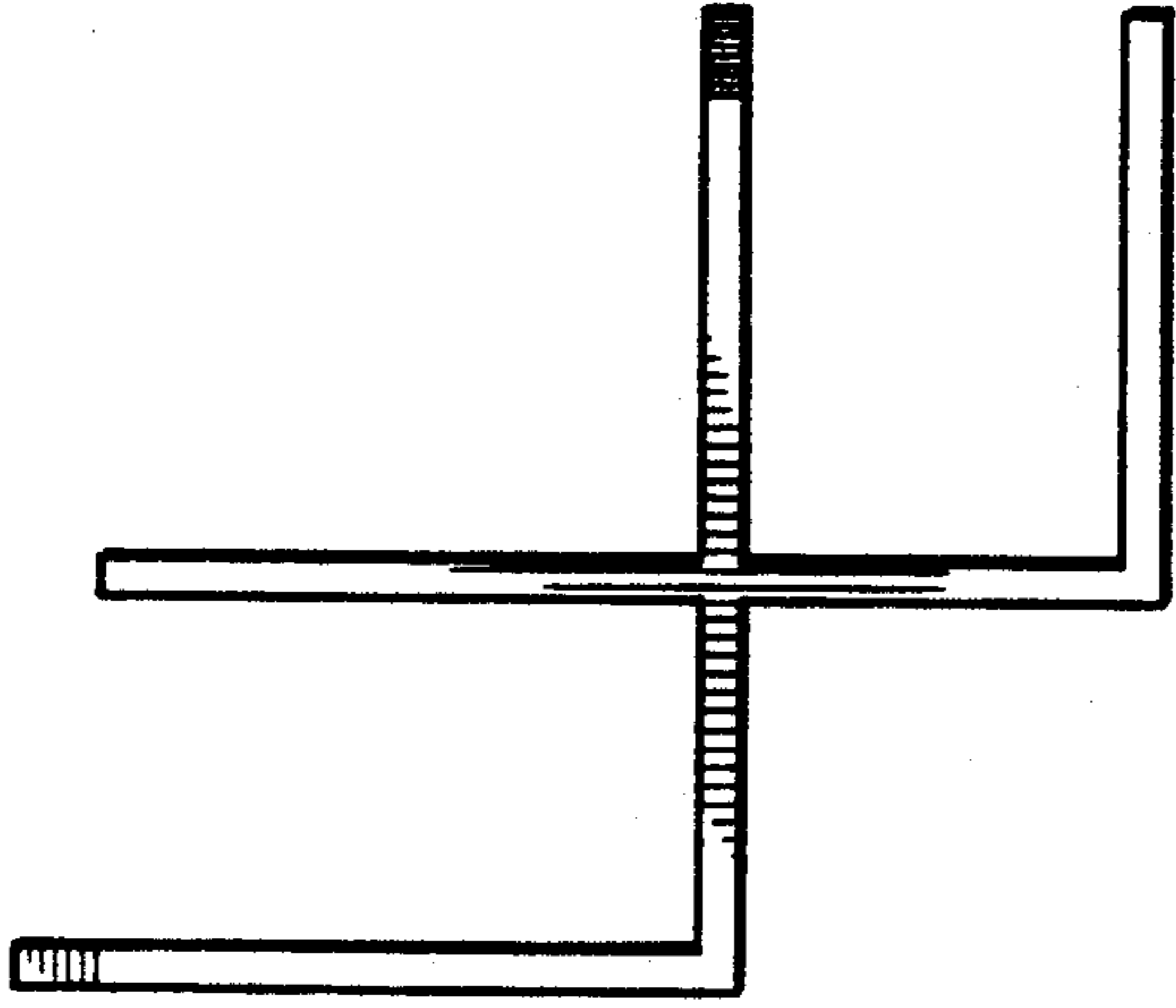


FIG. 6

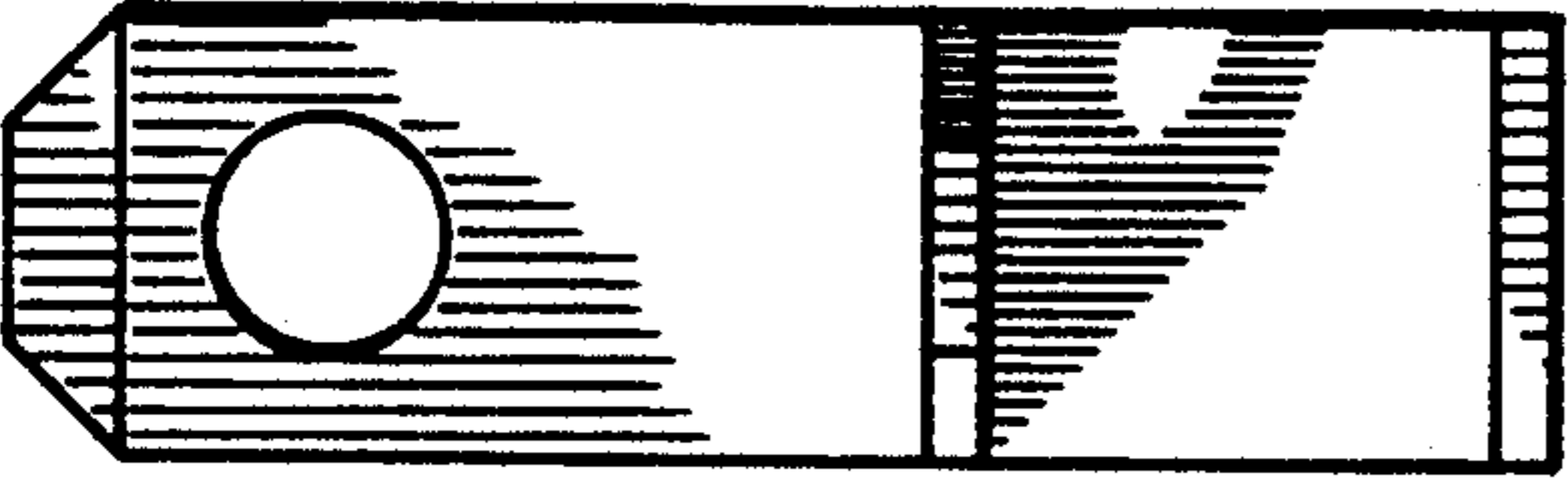


FIG. 4

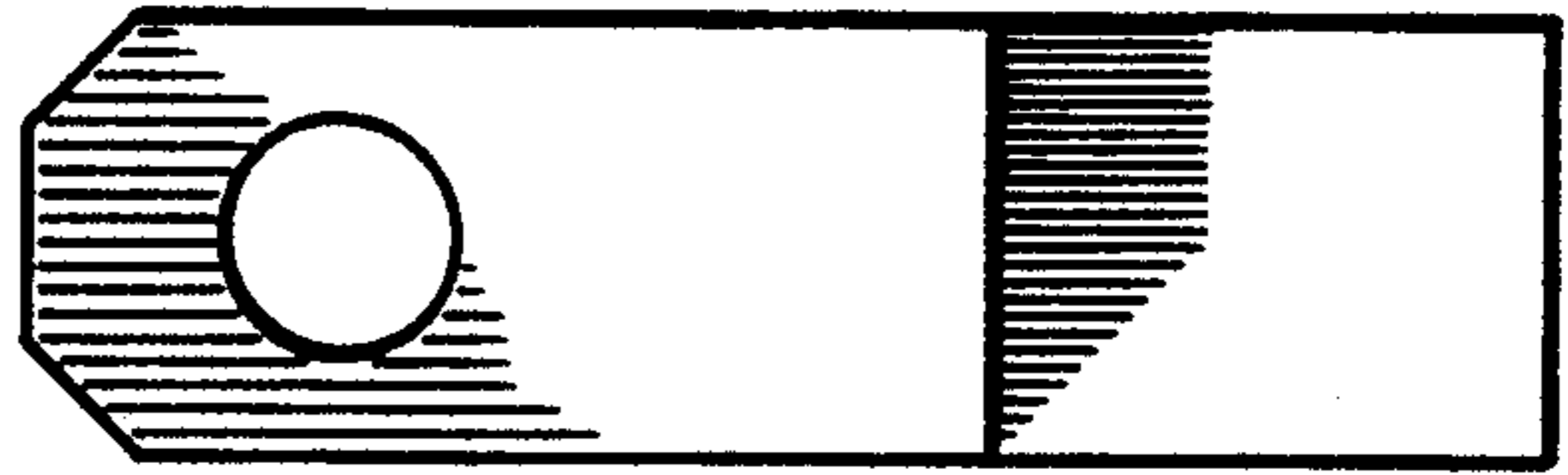


FIG. 5

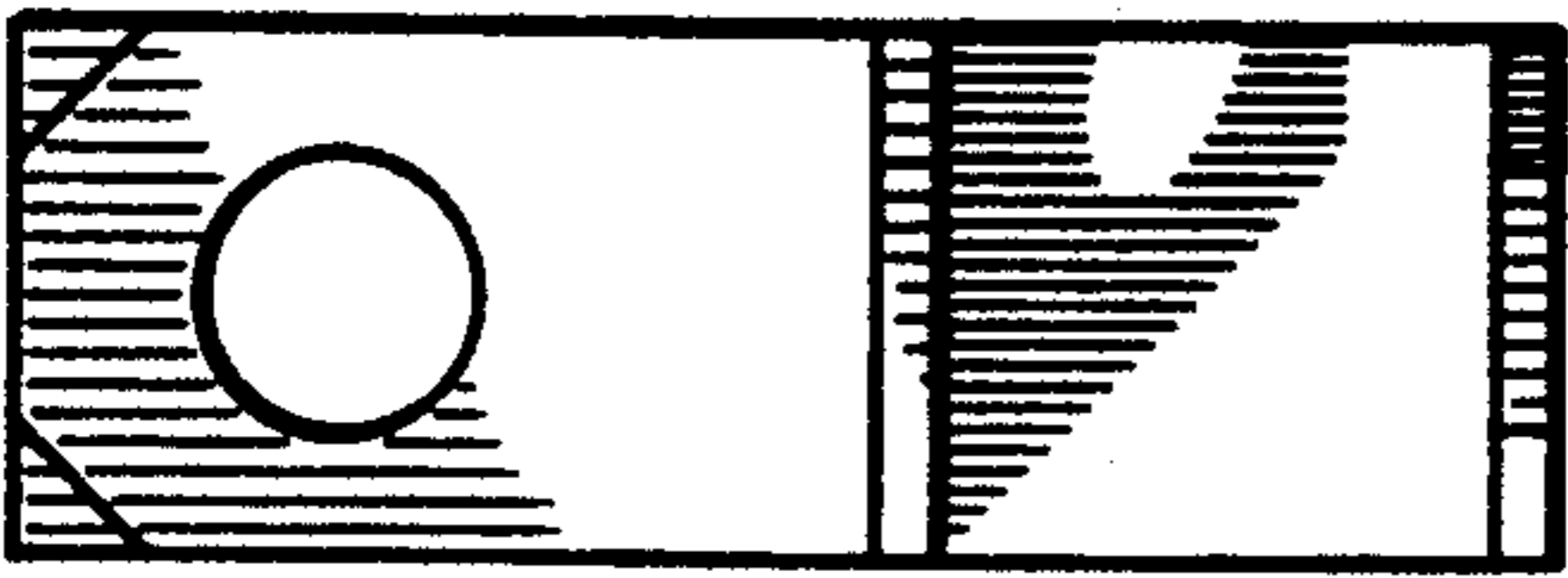


FIG. 2

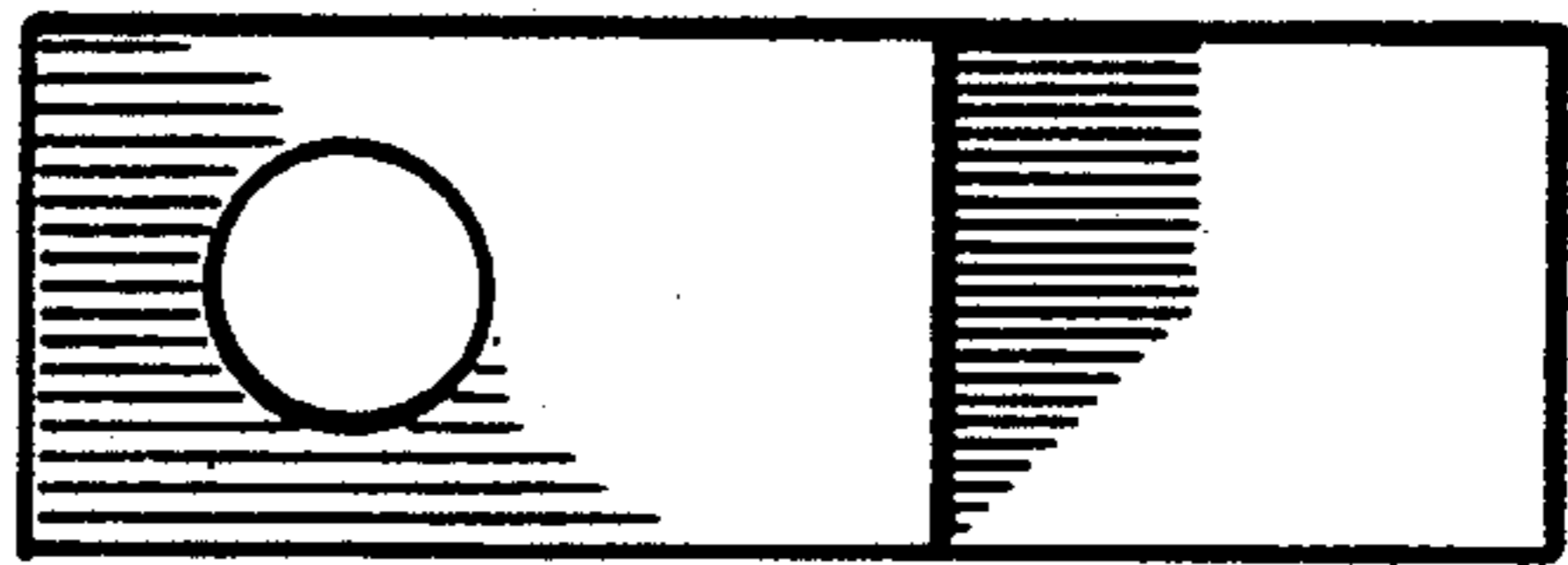


FIG. 3