



US00D337510S

# United States Patent [19]

[11] Patent Number: **Des. 337,510**

Nasca

[45] Date of Patent: **\*\* Jul. 20, 1993**

[54] **RE-BAR SUPPORT**

[76] Inventor: **Gerald Nasca**, 8322 Chester Dr.,  
Sacramento, Calif. 95830

[\*\*] Term: **14 Years**

[21] Appl. No.: **700,914**

[22] Filed: **May 16, 1991**

[52] U.S. Cl. .... **D8/354; D8/380**

[58] Field of Search ..... **D8/349, 354, 380;**  
**D25/133; 52/687, 169.11, 127.3, 295, 98, 677,**  
**687-689**

[56] **References Cited**

**U.S. PATENT DOCUMENTS**

4,010,348 3/1977 Salinger ..... 248/65 X

*Primary Examiner*—Wallace R. Burke

*Assistant Examiner*—H. Baynham  
*Attorney, Agent, or Firm*—Bernhard Kreten

[57] **CLAIM**

The ornamental design for a re-bar support, as shown and described.

**DESCRIPTION**

FIG. 1 is perspective view of a re-bar support showing my new design;

FIG. 2 is a front elevational view thereof;

FIG. 3 is a rear elevational view thereof;

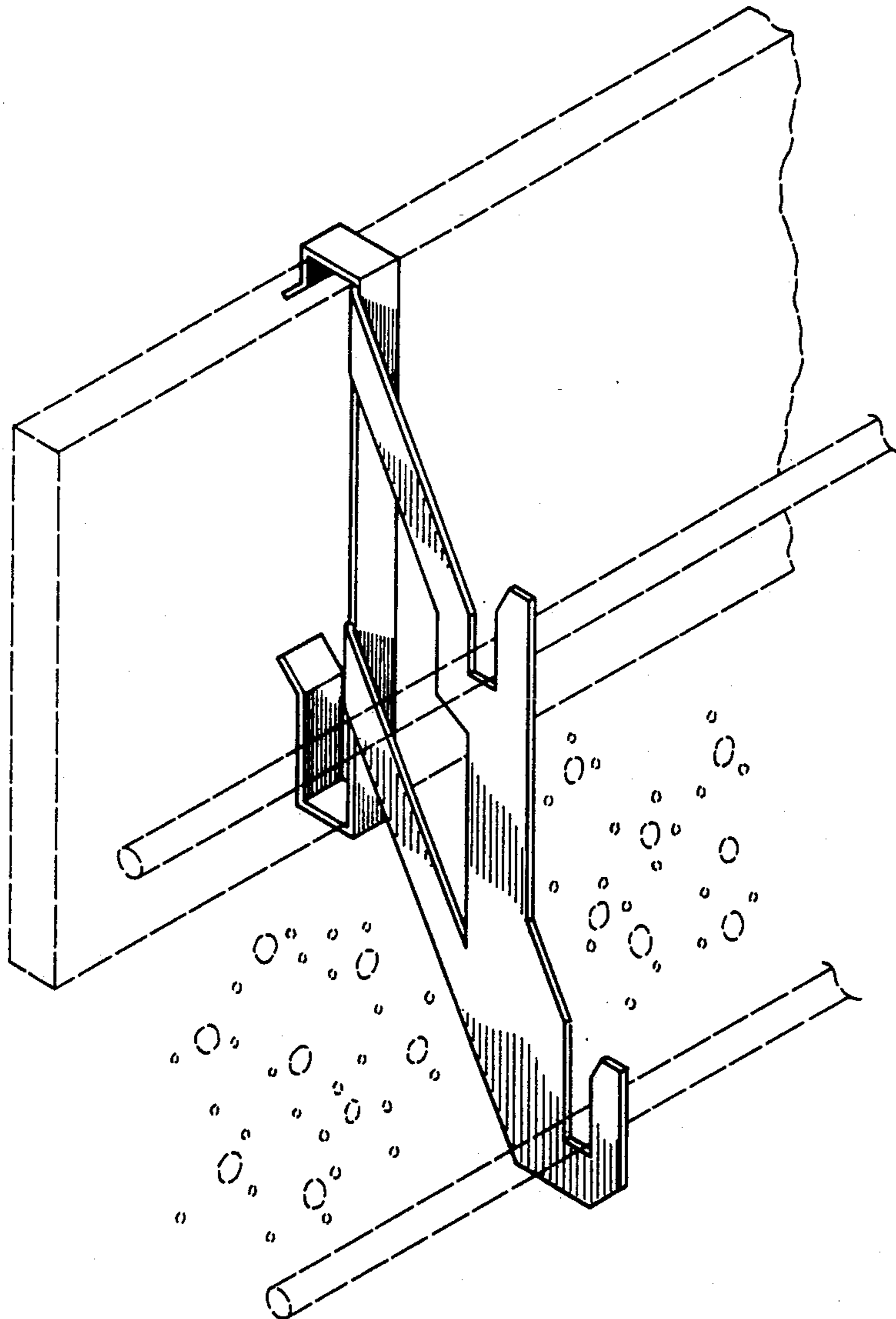
FIG. 4 is a side elevational view thereof;

FIG. 5 is an opposite side elevational view thereof;

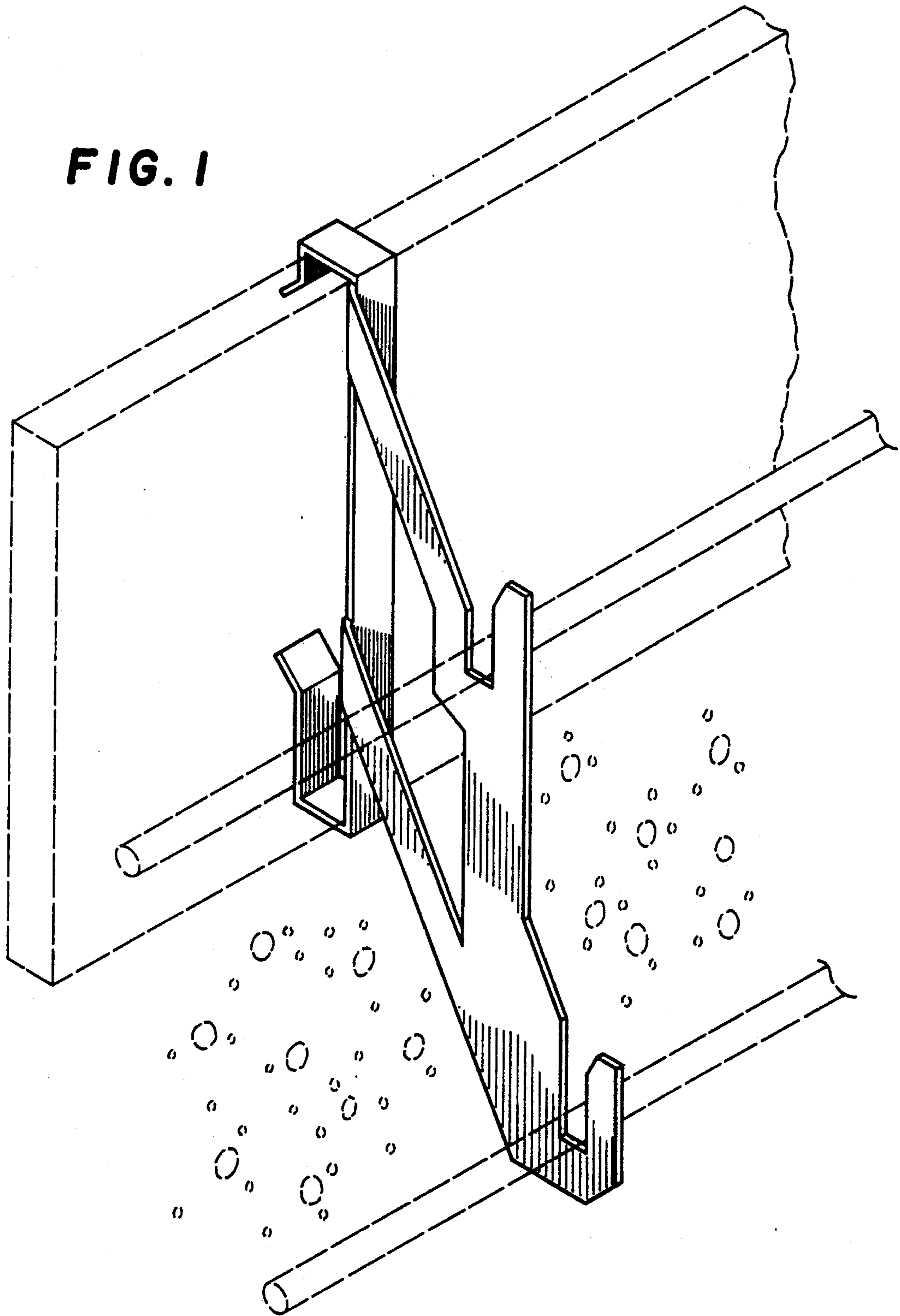
FIG. 6 is a top plan view thereof; and,

FIG. 7 is a bottom plan view thereof.

The broken line showing of rebar cement and a back panel is for illustrative purposes only and forms no part of the claimed design.



**FIG. 1**



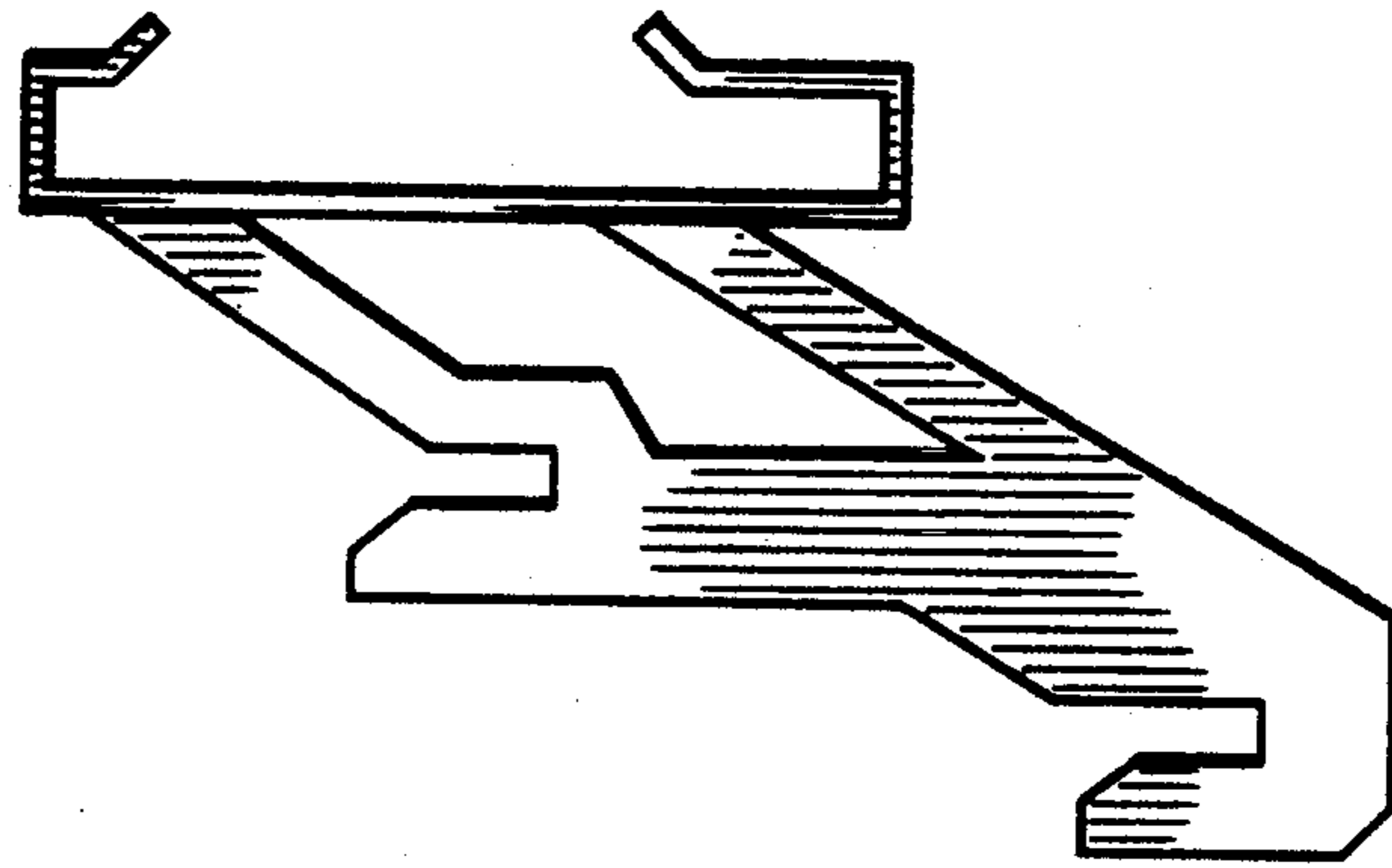
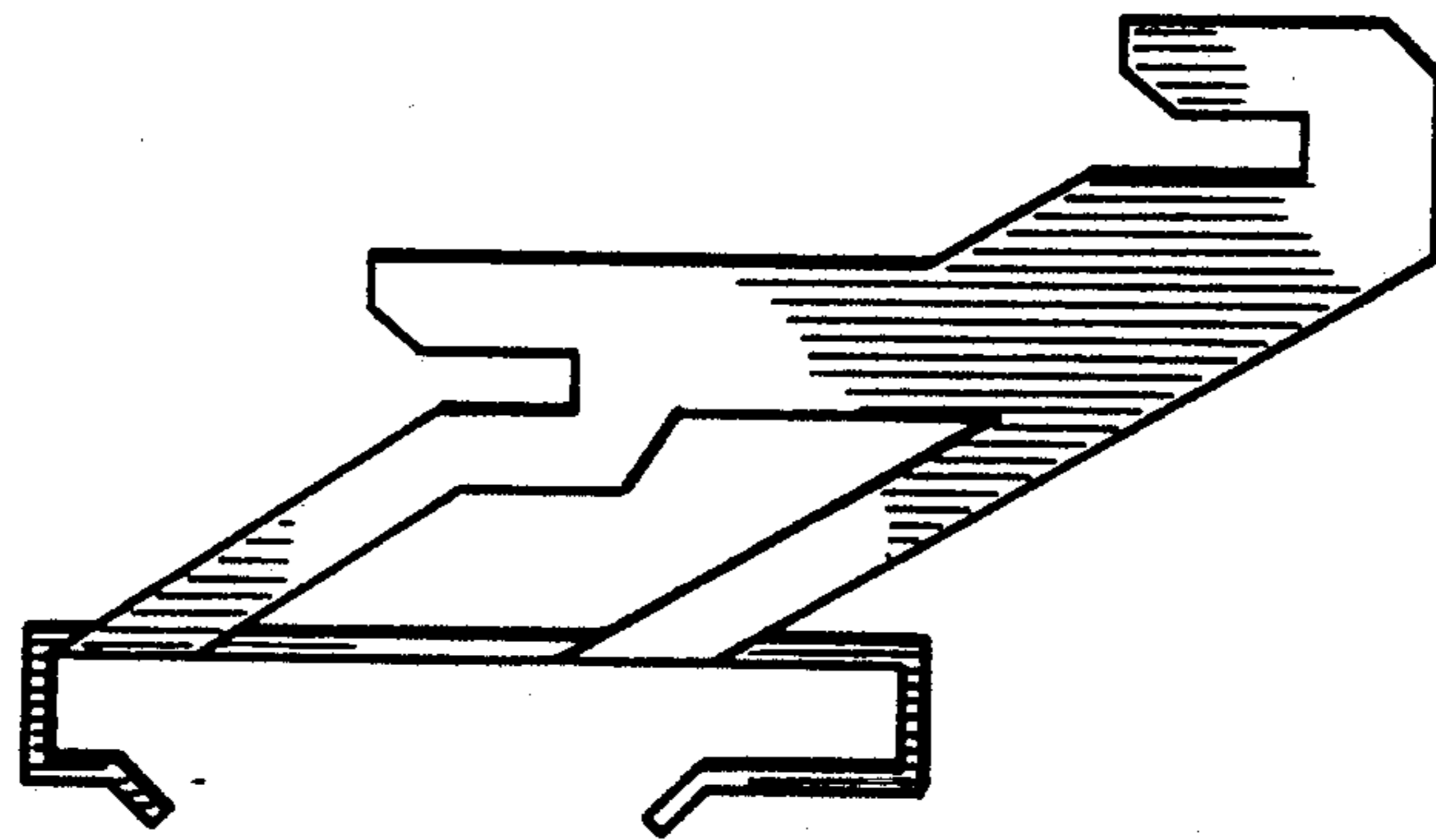


FIG. 6

FIG. 7

FIG. 2

FIG. 3

FIG. 4

FIG. 5