



US00D337506S

United States Patent [19]

[11] Patent Number: **Des. 337,506**

Ford

[45] Date of Patent: **** Jul. 20, 1993**

- [54] WING FOR A FASTENER
- [75] Inventor: **James J. Ford**, Schenectady, N.Y.
- [73] Assignee: **Southco, Inc.**, Concordville, Pa.
- [**] Term: **14 Years**
- [21] Appl. No.: **793,708**
- [22] Filed: **Nov. 18, 1991**

Primary Examiner—B. J. Bullock
Attorney, Agent, or Firm—Paul & Paul

[57] **CLAIM**

The ornamental design for a wing for a fastener, as shown.

DESCRIPTION

FIG. 1 is a perspective view of a wing for a fastener showing my new design;
 FIG. 2 is a top plan view thereof;
 FIG. 3 is a front elevational view thereof, the rear being identical;
 FIG. 4 is a side elevational view thereof, both sides being identical;
 FIG. 5 is a bottom plan view thereof;
 FIG. 6 is a perspective view of a second embodiment of the design of FIG. 1;
 FIG. 7 is a top plan view of FIG. 6;
 FIG. 8 is a front elevational view of FIG. 6;
 FIG. 9 is a left side elevational view of FIG. 6, the side opposite being a mirror image;
 FIG. 10 is a bottom plan view of FIG. 6; and,
 FIG. 11 is a rear elevational view of FIG. 6.

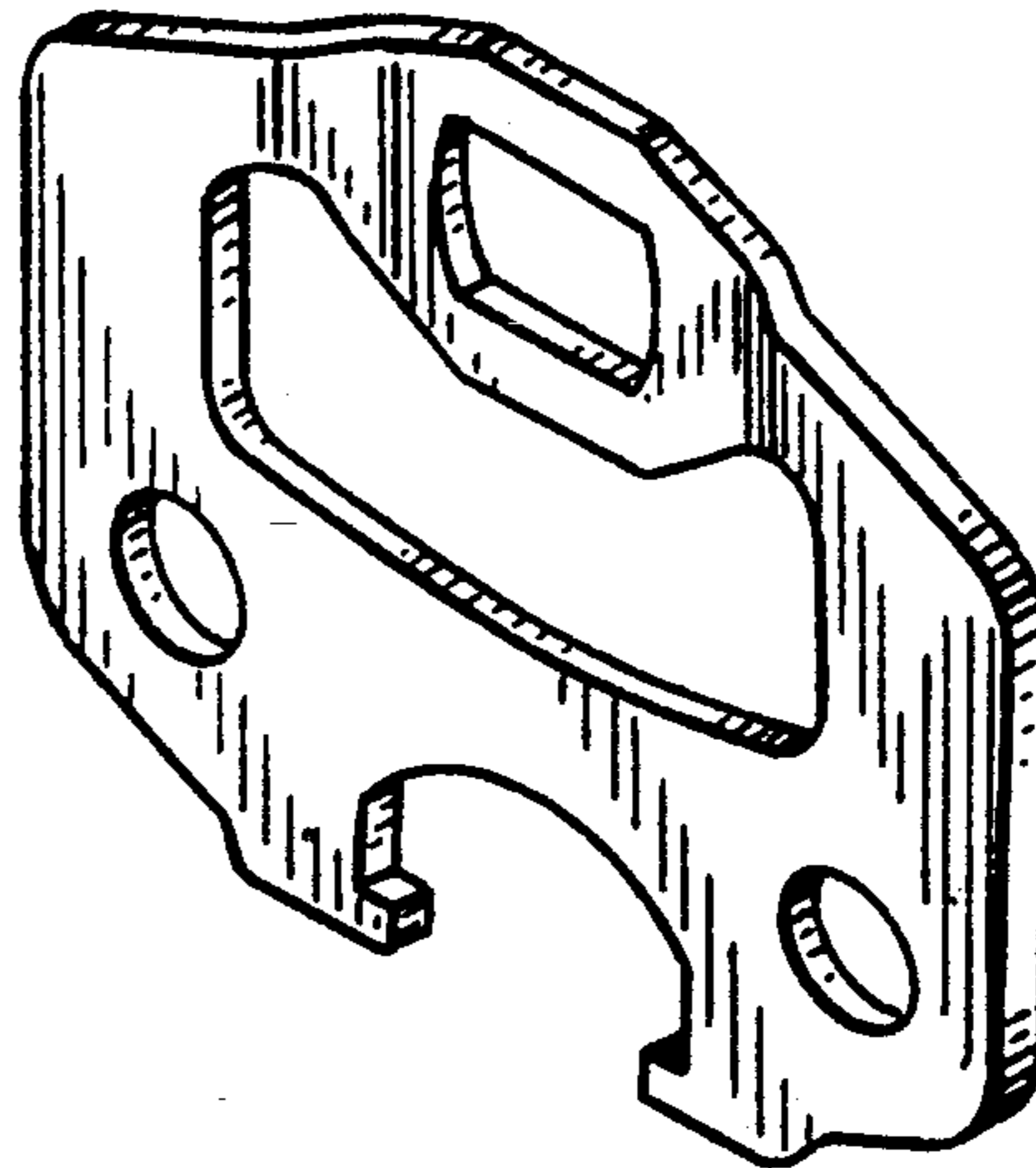
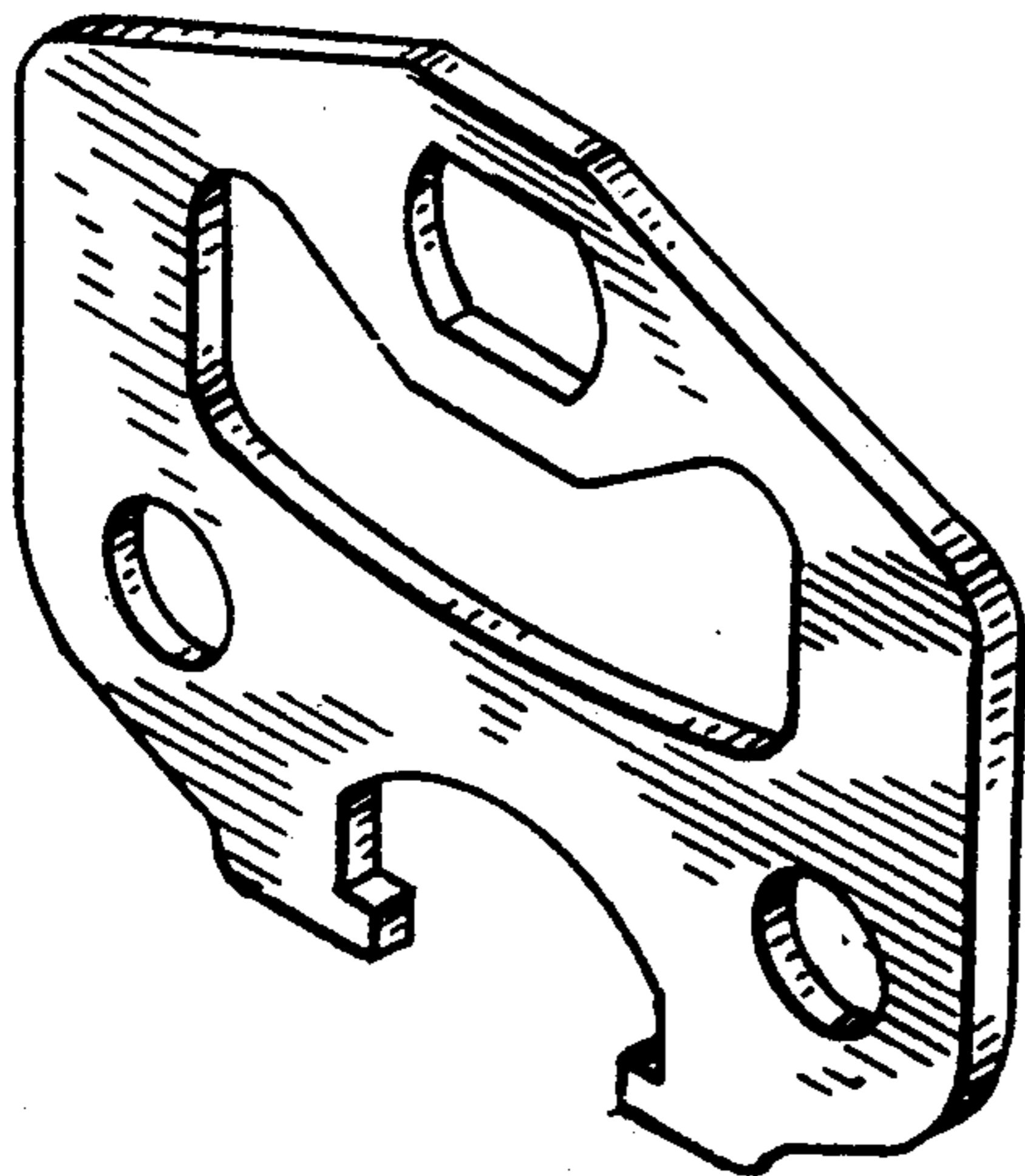
Related U.S. Application Data

- [63] Continuation-in-part of Ser. No. 788,732, Nov. 5, 1991.
- [52] U.S. Cl. **D8/306; D8/499**
- [58] Field of Search **D8/306, 343, 499; 24/606; 292/111, 113, 151; 411/337, 389, 403**

References Cited

U.S. PATENT DOCUMENTS

933,831	9/1909	De Steiger	411/403
4,088,355	5/1978	Dey	411/389
4,090,727	5/1978	Busch et al.	292/111
4,671,528	6/1987	Thompson	411/337
4,746,151	5/1988	Hoen et al.	292/111
4,758,031	7/1988	Wolf	292/111



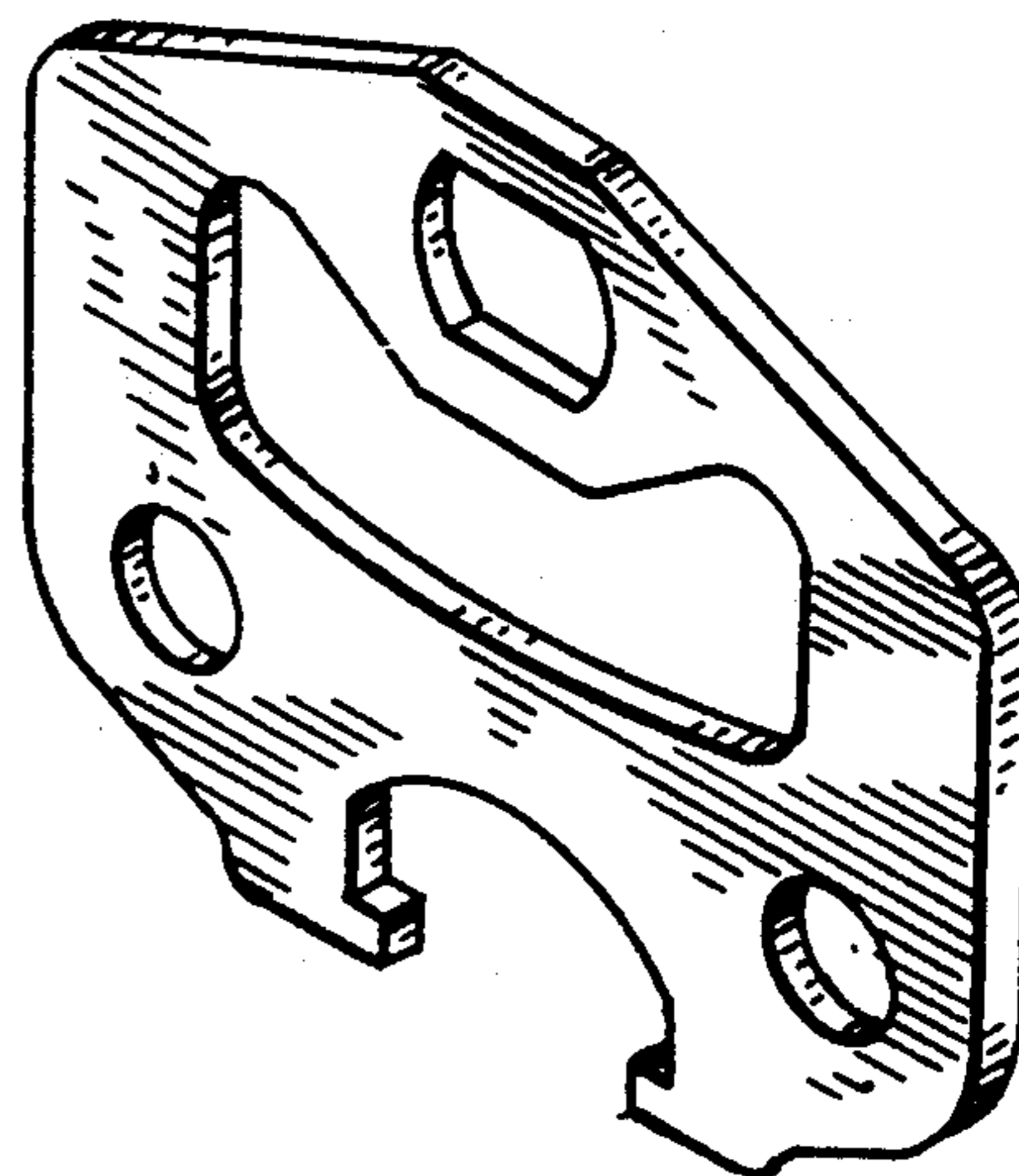


Fig. 1



Fig. 2

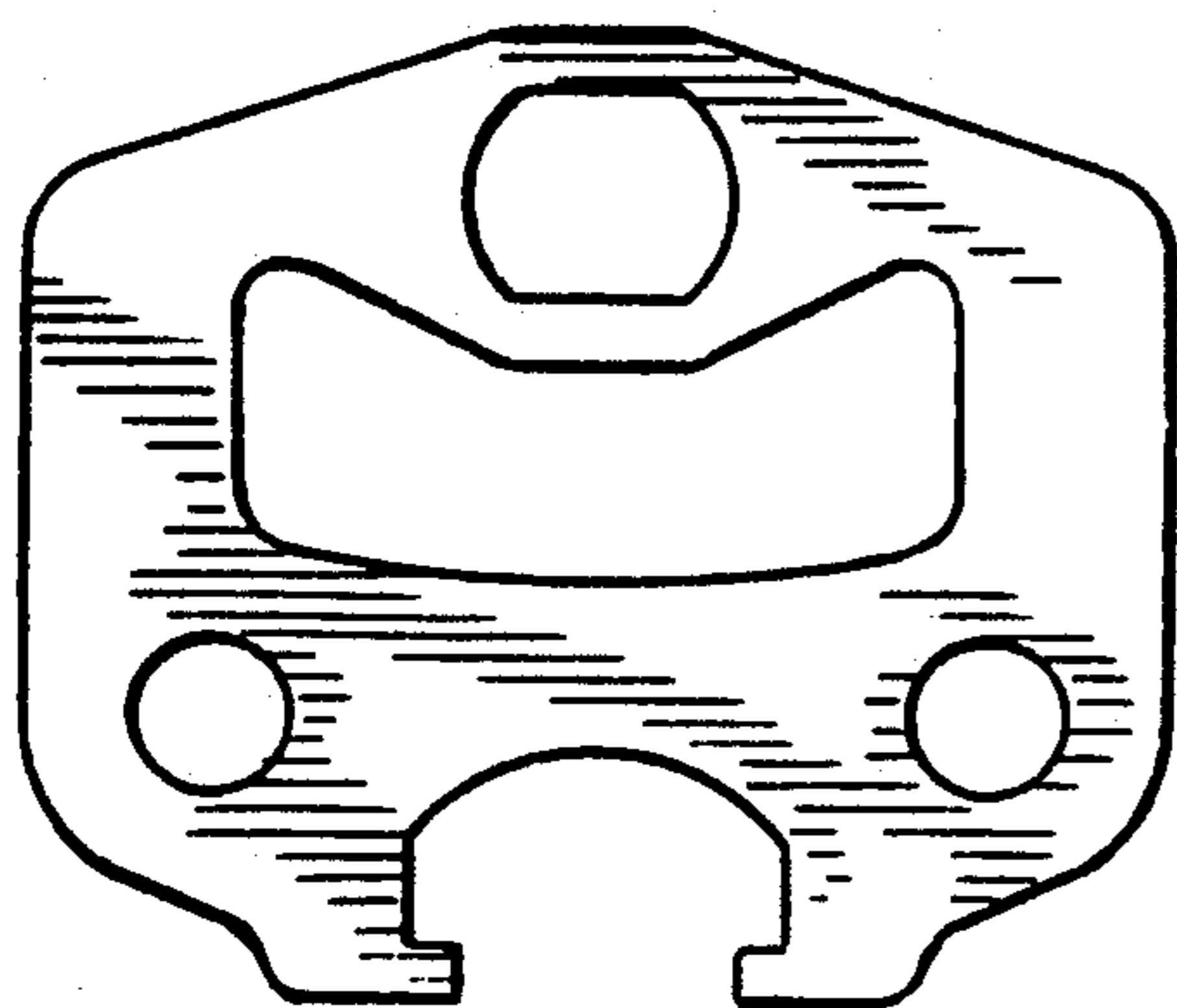


Fig. 3



Fig. 4



Fig. 5



Fig. 7

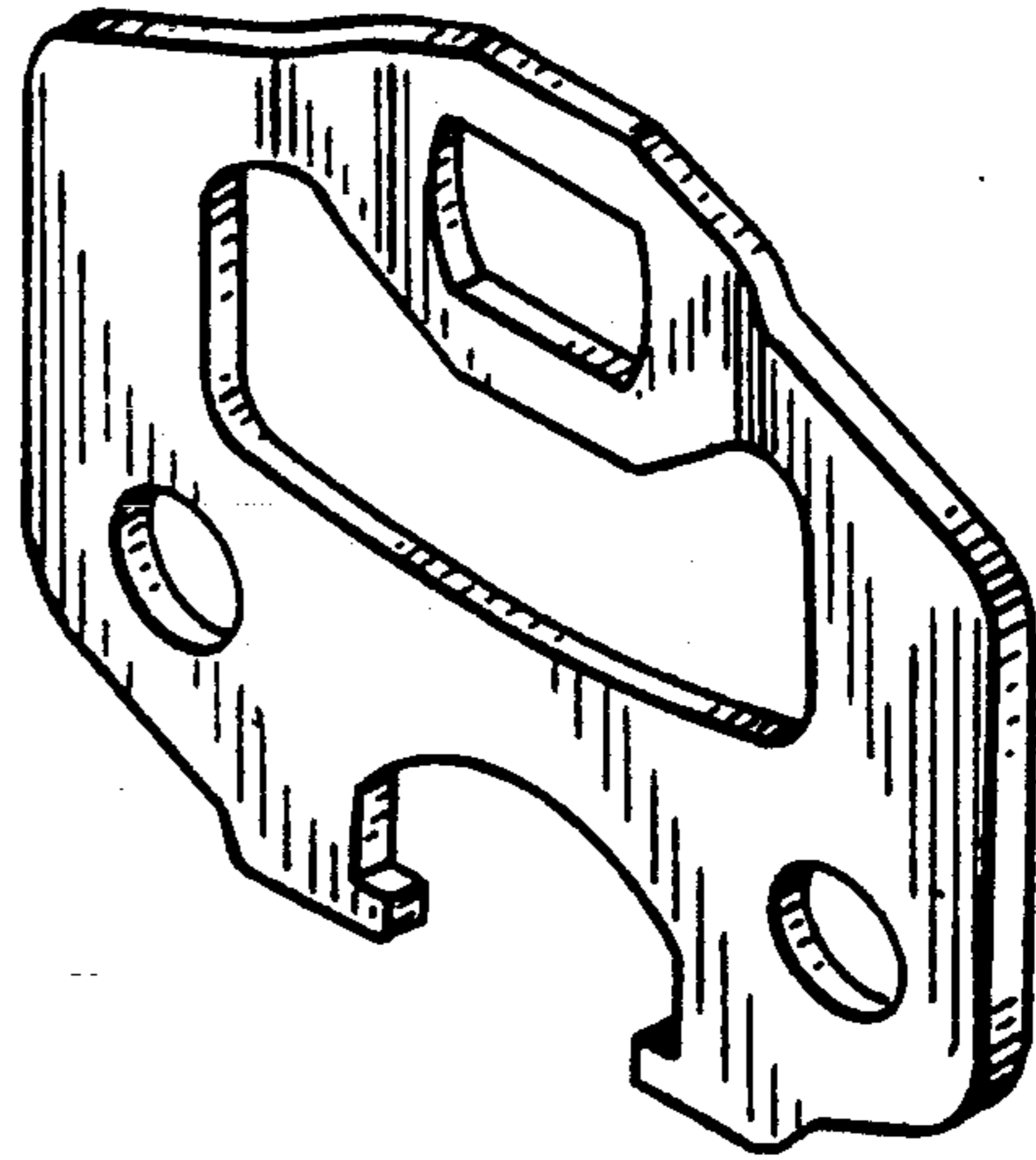


Fig. 6

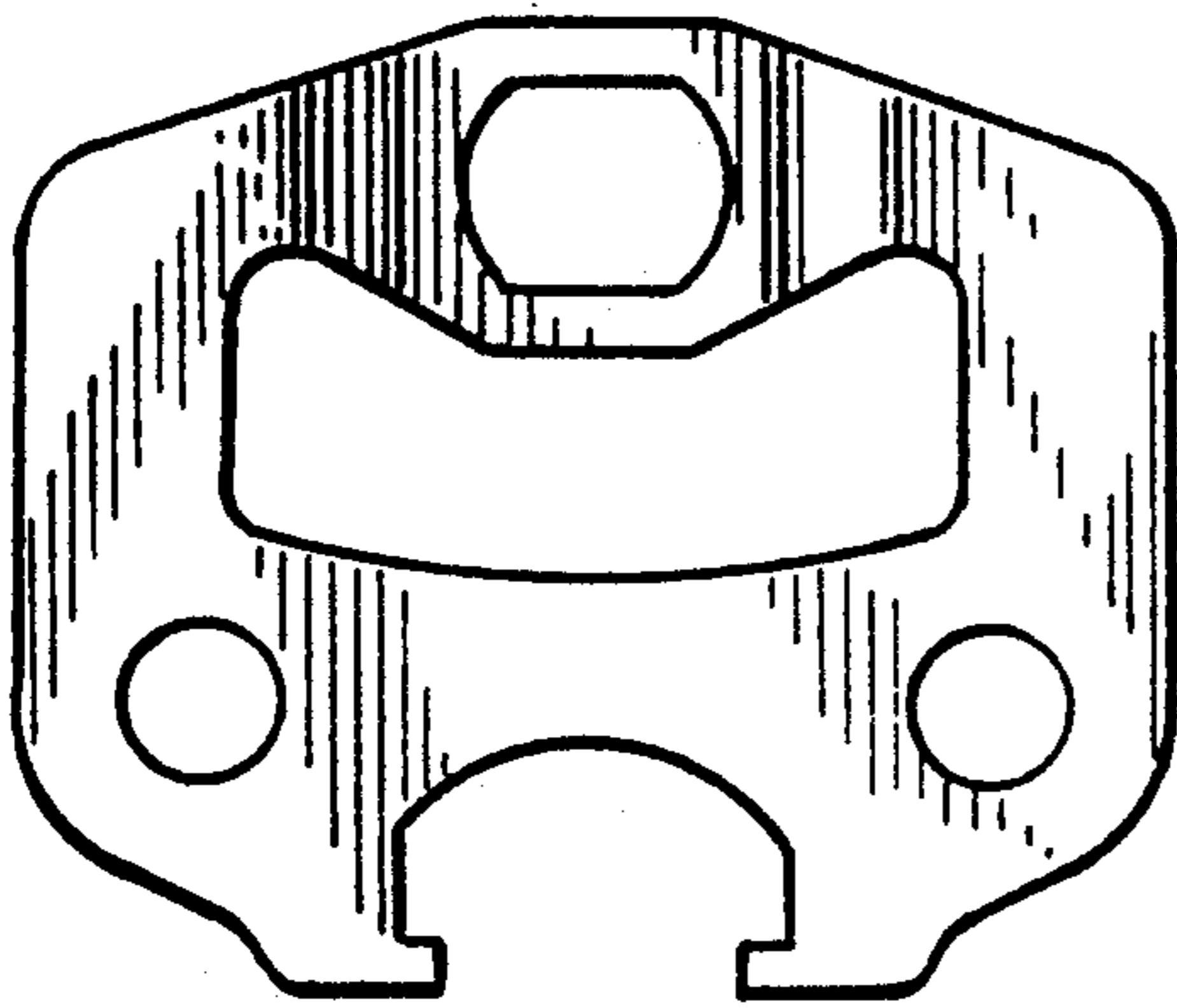


Fig. 8



Fig. 9



Fig. 10

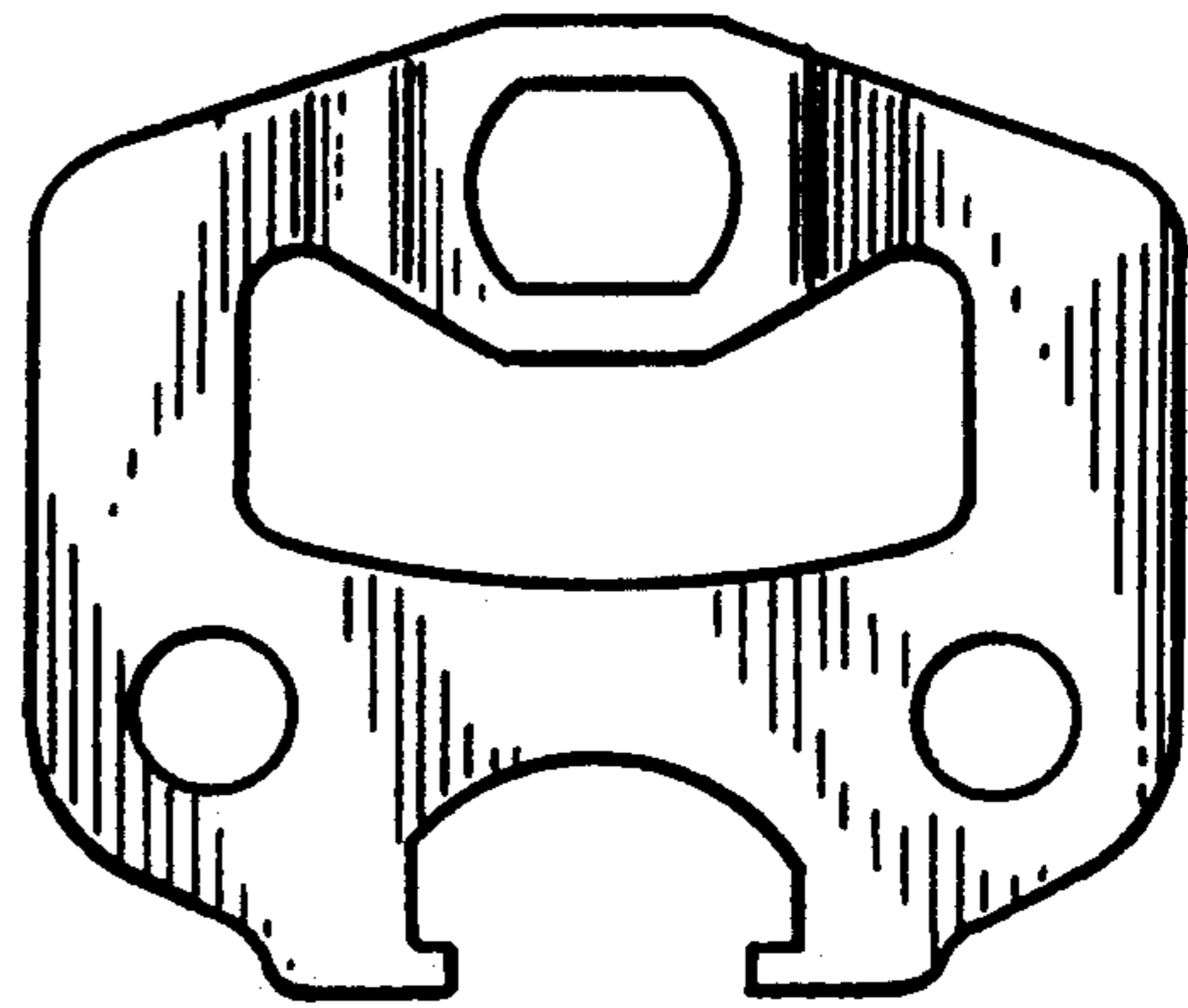


Fig. 11