



US00D337503S

United States Patent [19]

[11] Patent Number: **Des. 337,503**

Sifers et al.

[45] Date of Patent: **** Jul. 20, 1993**

[54] **TUBE HOLDER CLAMP**

[76] Inventors: **Lorna L. Sifers**, Box 193, Drake, Colo. 80515; **Robin J. Pasquarosa**, 520 Redwood Cir., Berthoud, Colo. 80513

D. 305,608	1/1990	Hahn	D8/72
2,908,476	10/1959	Hidding	D8/72
4,450,621	5/1984	Bianchi	269/87.3
4,735,615	4/1988	Uddo et al.	604/178
5,171,251	12/1992	Bregen et al.	606/151

[**] Term: **14 Years**

Primary Examiner—Alan P. Douglas
Assistant Examiner—J. H. Musgrove
Attorney, Agent, or Firm—Dean P. Edmundson

[21] Appl. No.: **731,941**

[57] **CLAIM**

[22] Filed: **Jul. 18, 1991**

The ornamental design for a tube holder clamp, as shown.

[52] U.S. Cl. **D8/72**

[58] Field of Search **D8/72; 269/87.3; 248/229, 226.5; 128/207.17, 208; 604/179, 178, 49, 151, 174; 606/151; D24/143**

DESCRIPTION

[56] **References Cited**

U.S. PATENT DOCUMENTS

D. 214,093	5/1969	Greene	D8/72
D. 260,235	8/1981	Anderson	D8/72
D. 262,237	12/1981	Stauber	D8/72
D. 289,005	3/1987	Babb	D8/72

FIG. 1 is an isometric view of a tube holder clamp showing our new design;
FIG. 2 is a right side elevational view thereof;
FIG. 3 is a left side elevational view thereof;
FIG. 4 is a front elevational view thereof;
FIG. 5 is a rear elevational view thereof;
FIG. 6 is a top plan view thereof; and,
FIG. 7 is a bottom plan view thereof.

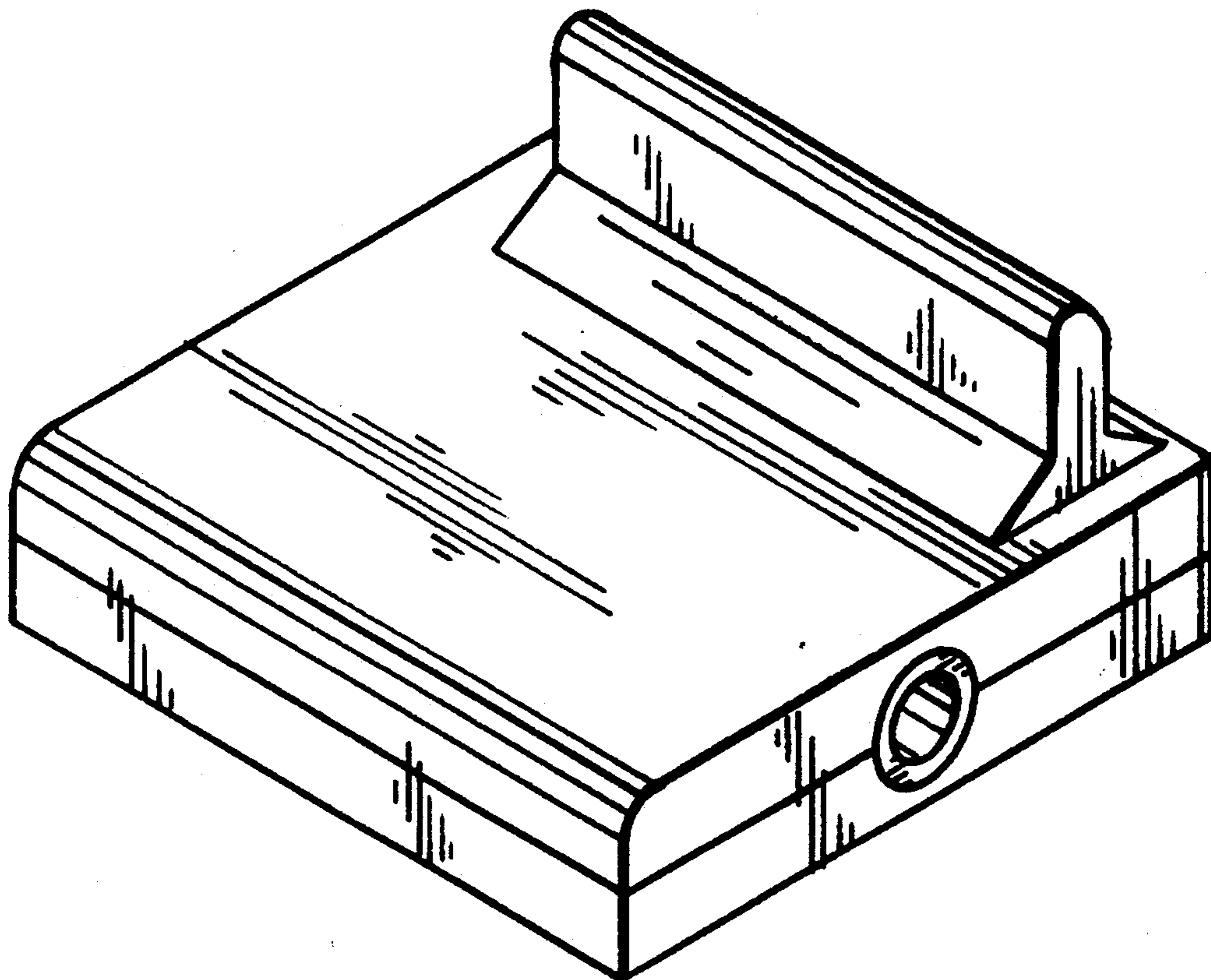


FIG. 1

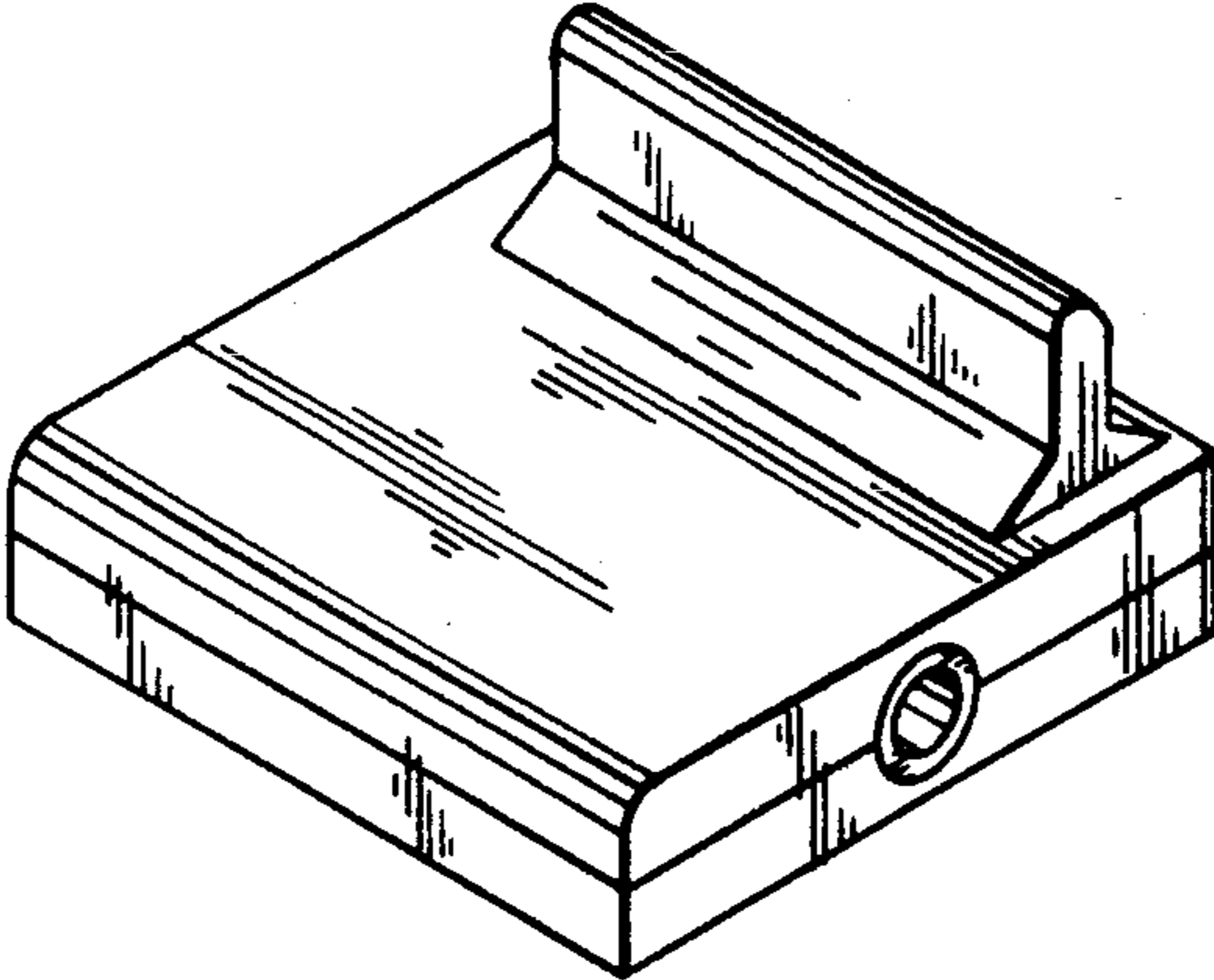


FIG. 2

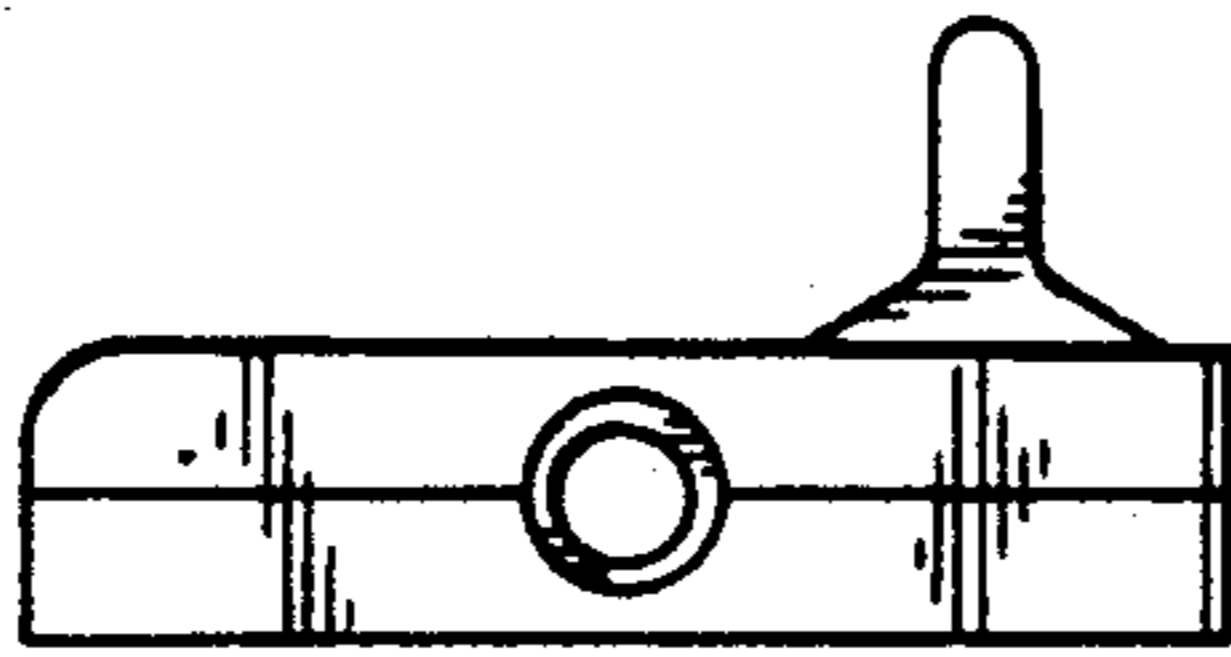


FIG. 3

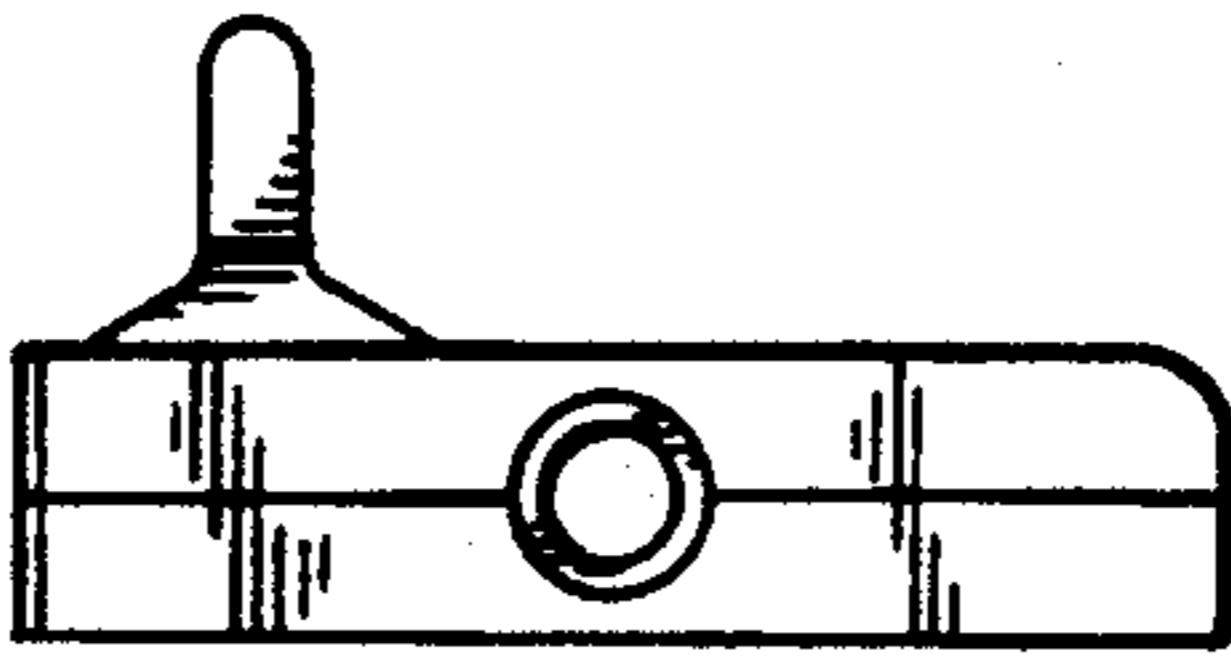


FIG. 4

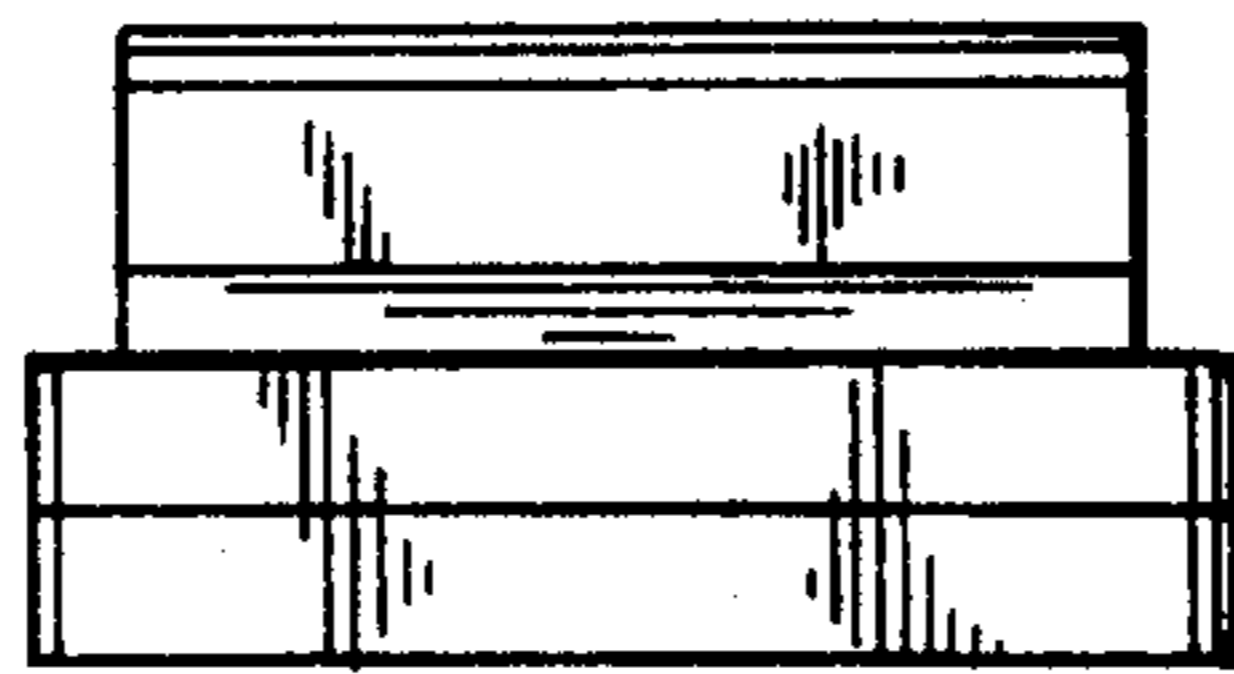


FIG. 5

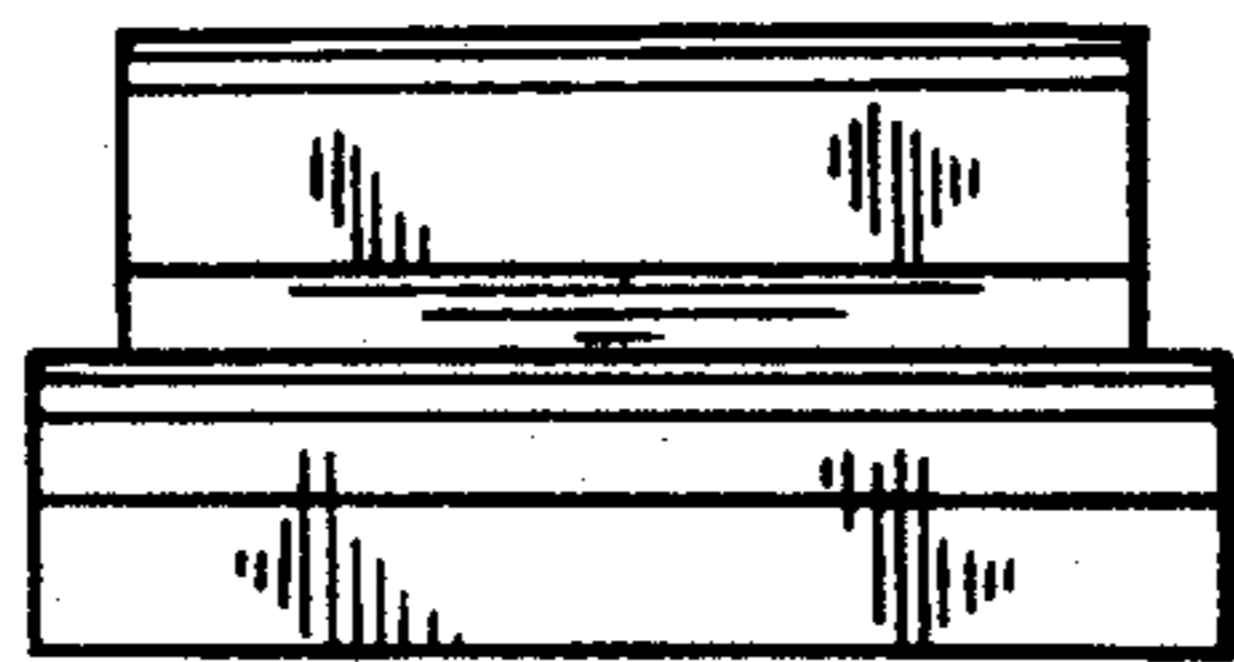


FIG. 6

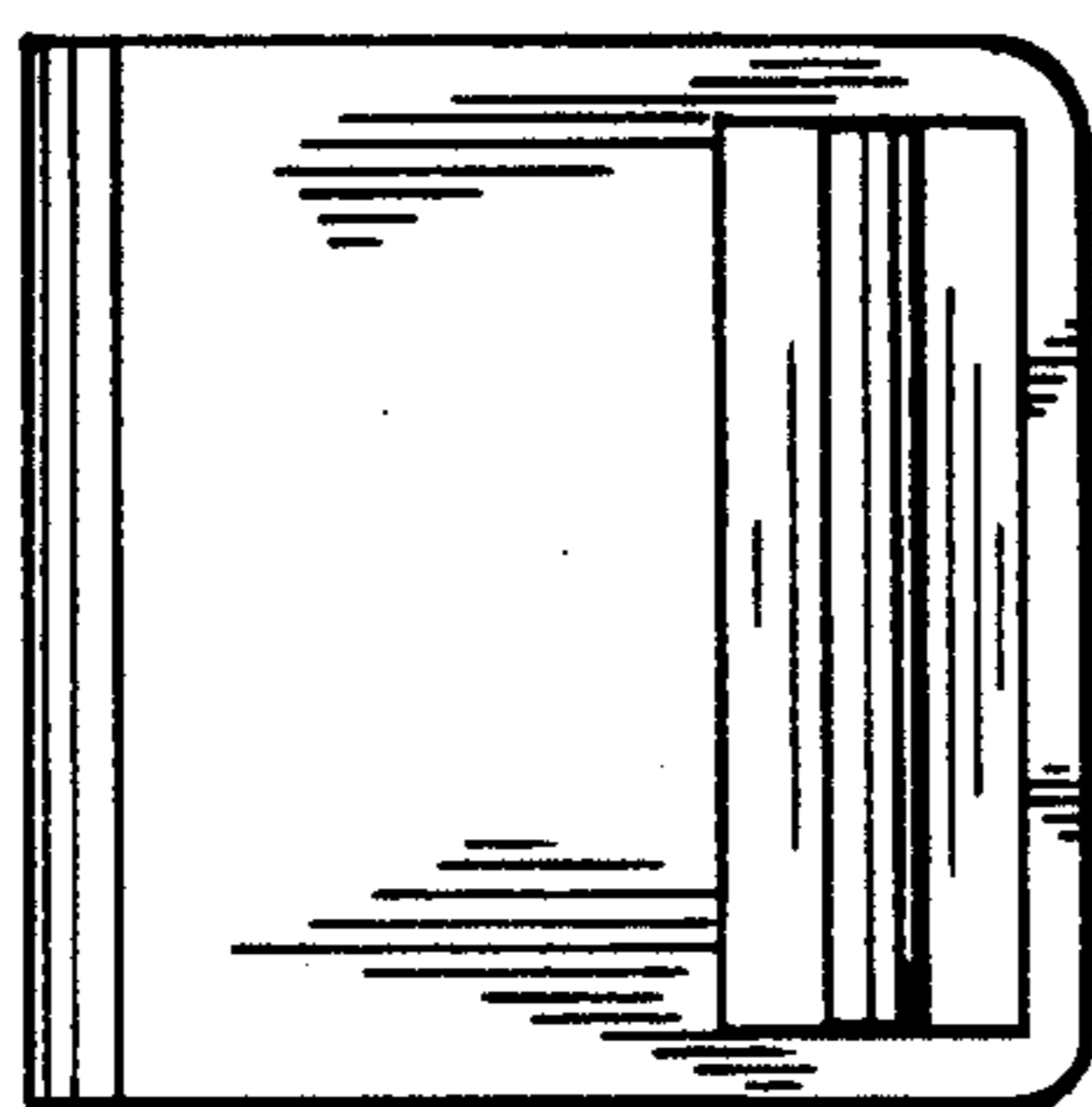


FIG. 7

