



US00D337502S

United States Patent [19]

[11] Patent Number: **Des. 337,502**

Witt

[45] Date of Patent: **** Jul. 20, 1993**

[54] **ROUTER GUIDE FOR DOOR HINGES**

4,825,920 5/1989 Evitts 144/137

[76] Inventor: **Bradley R. Witt**, 5323 W. Kimberly Rd., Davenport, Iowa 52806

Primary Examiner—Alan P. Douglas
Assistant Examiner—J. H. Musgrove
Attorney, Agent, or Firm—Robert O. Richardson

[**] Term: **14 Years**

[57] **CLAIM**

[21] Appl. No.: **758,080**

The ornamental design for a router guide for door hinges, as shown and described.

[22] Filed: **Sep. 12, 1991**

[52] U.S. Cl. **D8/70**

[58] Field of Search **D8/70; 83/821; 144/137, 144/144, 144 R, 145 R; 409/179, 175, 178**

DESCRIPTION

[56] **References Cited**

U.S. PATENT DOCUMENTS

4,552,193	11/1985	Armas	144/144 R
4,742,853	5/1988	Davison	144/137
4,768,570	9/1988	Honeyman	144/145 R
4,770,216	9/1988	Ruscak	144/144 R
4,787,432	11/1988	Williams	144/144 R

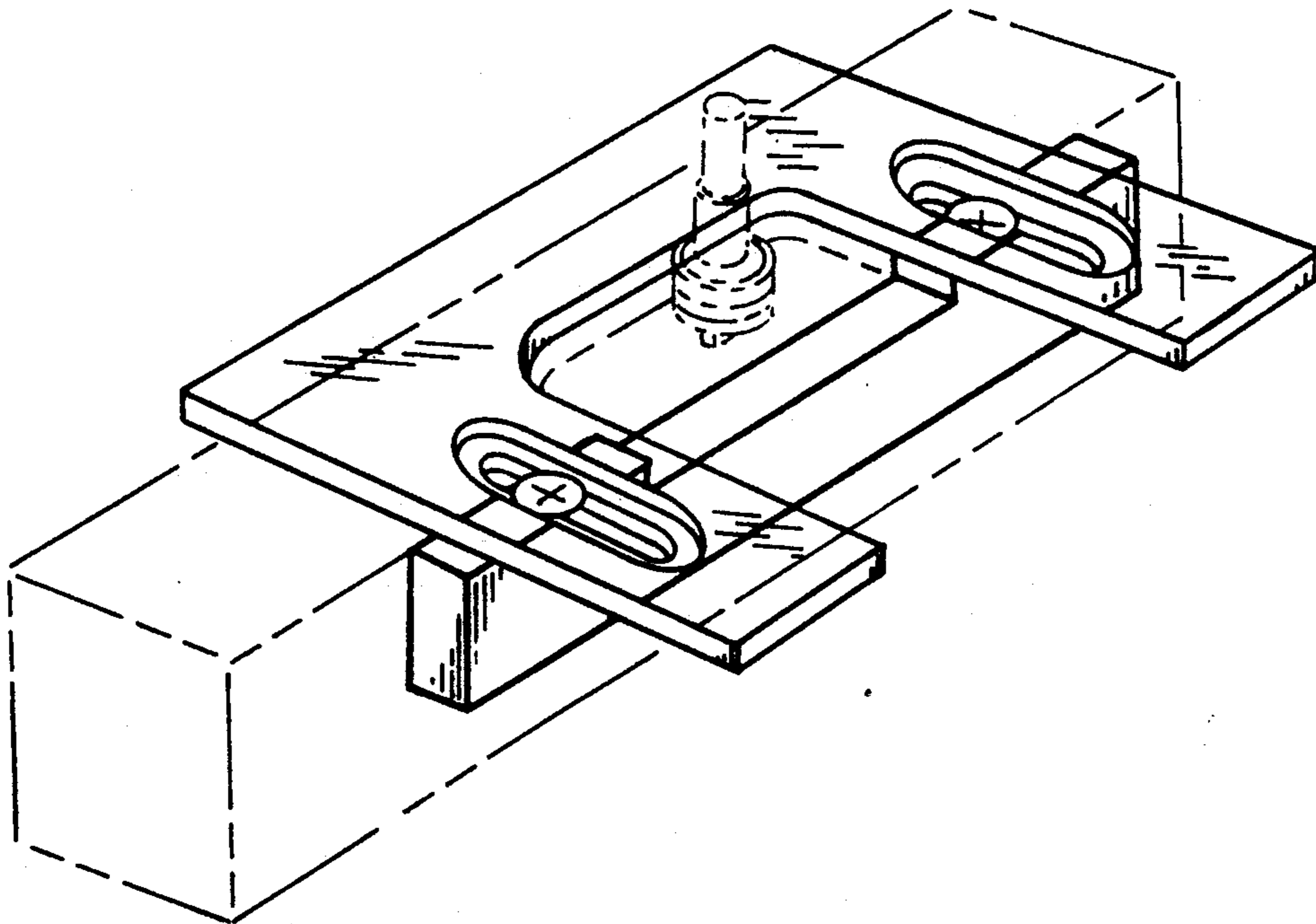
FIG. 1 is a perspective view of the router guide and router bit in use in recessing hinges for a door frame, the broken line showing of the 4 by 4 cutting blade are for illustrative purposes only and forms no part of the claimed design;

FIG. 2 is a side view;

FIG. 3 is an end view;

FIG. 4 is a second side view; and,

FIG. 5 is a second end view.



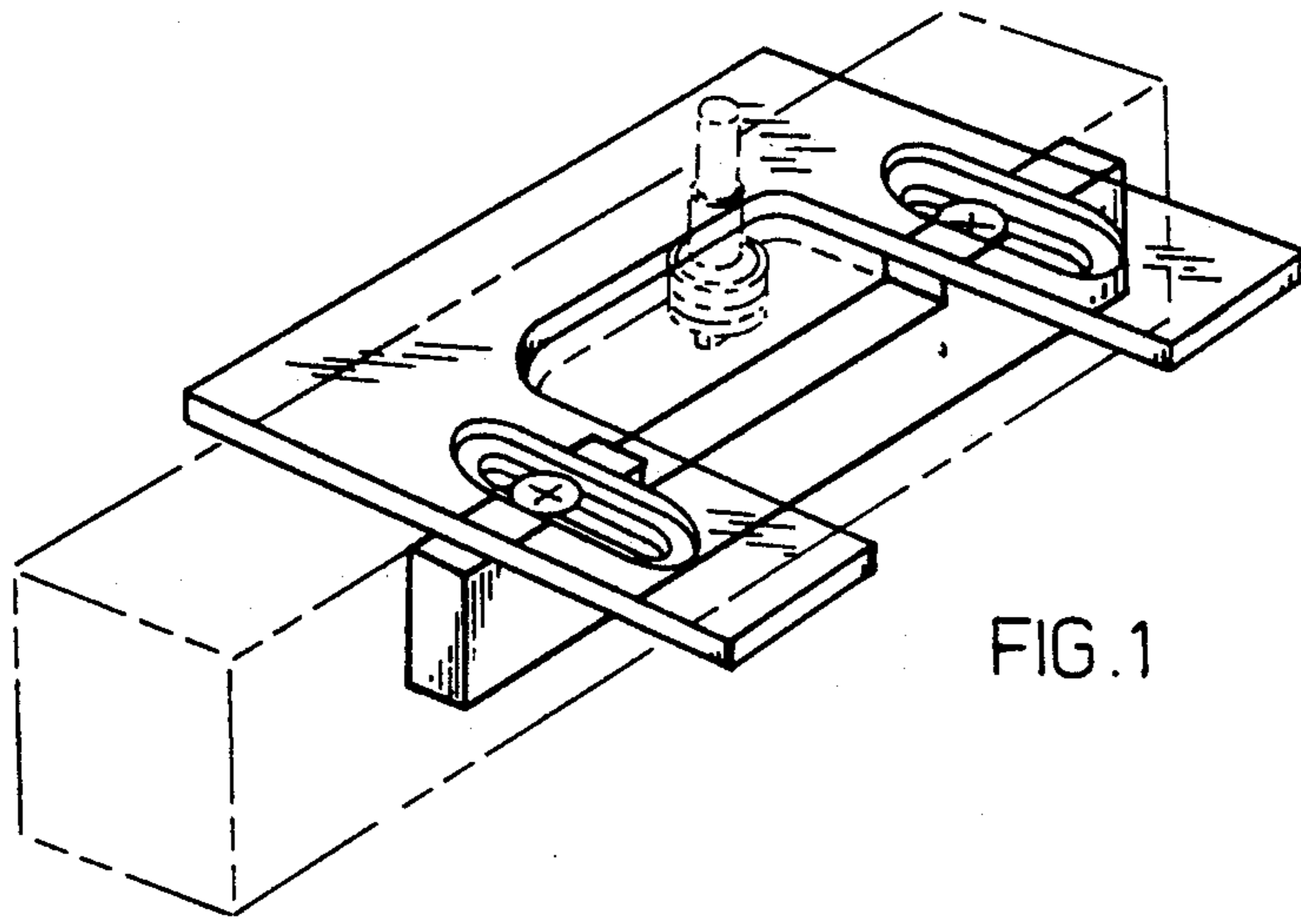


FIG. 1

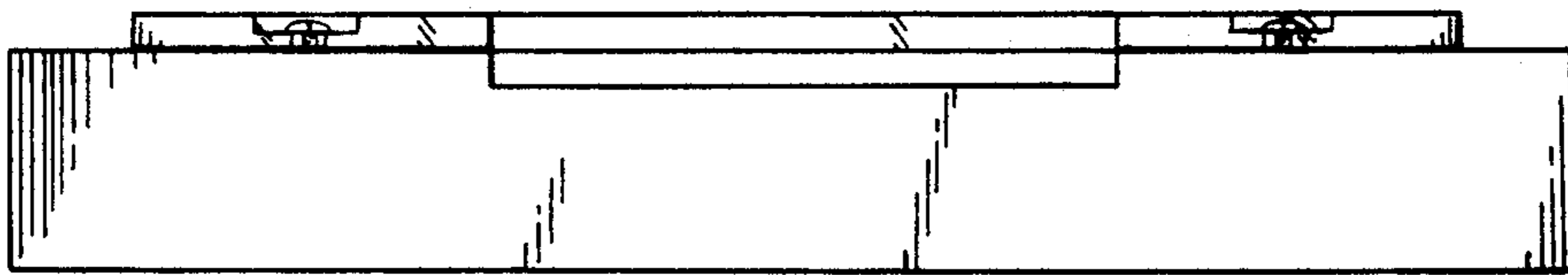


FIG. 2

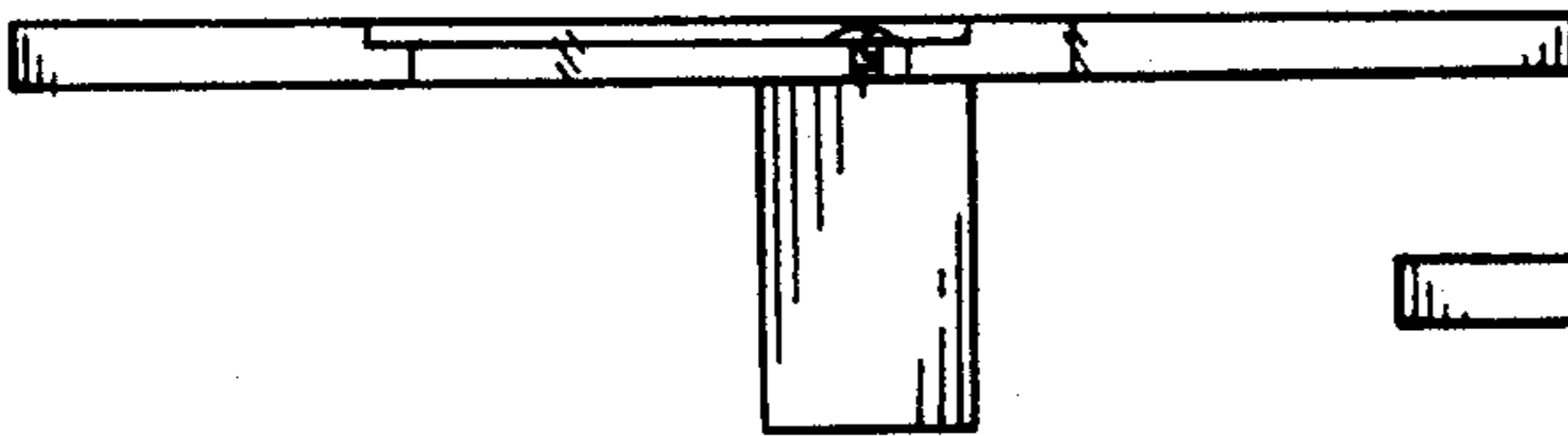


FIG. 3

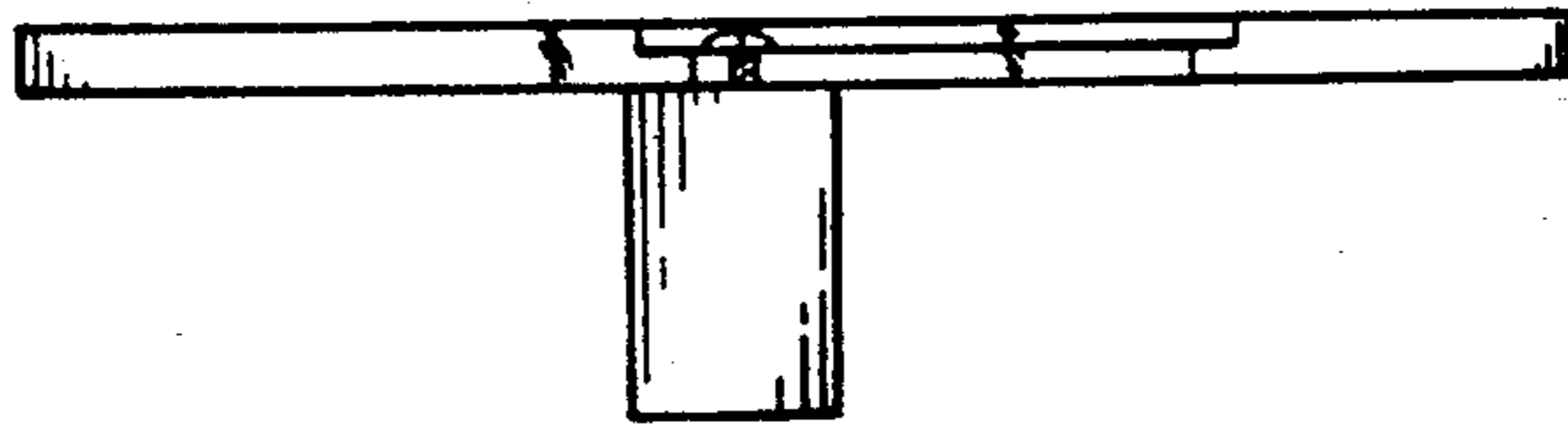


FIG. 5

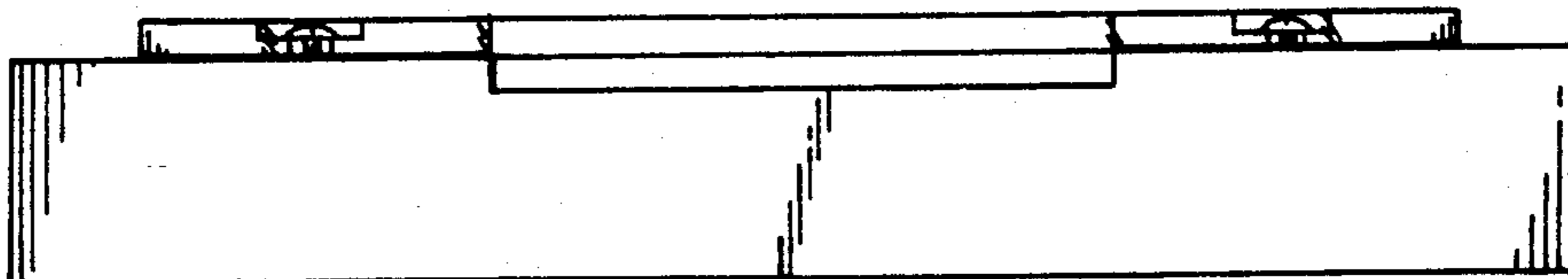


FIG. 4