



US00D337500S

United States Patent [19]
Hutchings, II

[11] **Patent Number: Des. 337,500**

[45] **Date of Patent: ** Jul. 20, 1993**

[54] **CIRCULAR SAW BLADE GUARD**
[76] **Inventor: Robert L. Hutchings, II, 5140 SE.
174th Ave., Portland, Oreg. 97236**
[**] **Term: 14 Years**
[21] **Appl. No.: 467,217**
[22] **Filed: Jan. 19, 1990**
[52] **U.S. Cl. D8/70**
[58] **Field of Search D8/70; 30/390, 286,
30/391, 376; 83/675, 676**

4,892,022 1/1990 Cotton et al. 30/390

Primary Examiner—Donald P. Walsh
Assistant Examiner—J. H. Musgrove

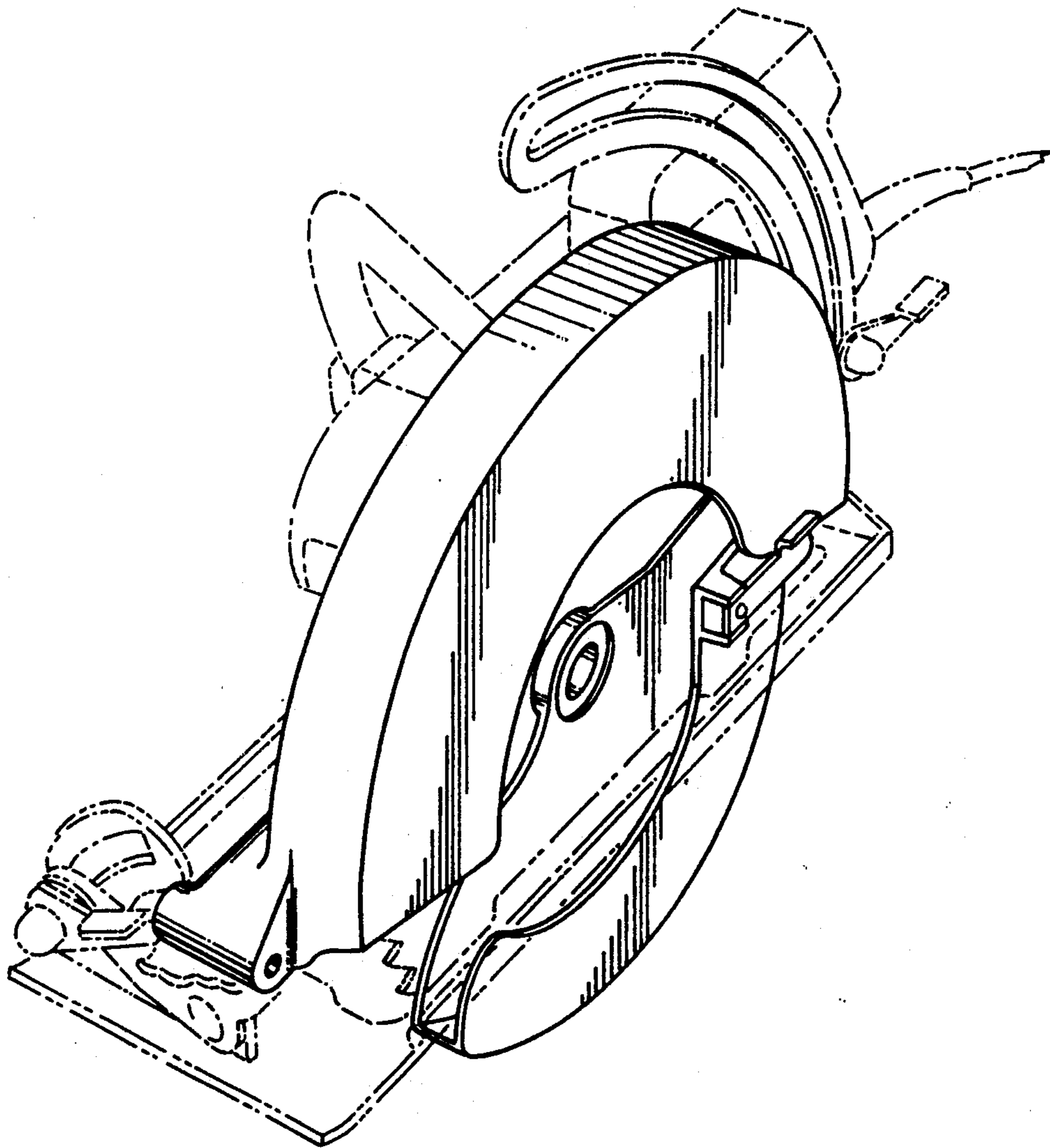
[57] **CLAIM**

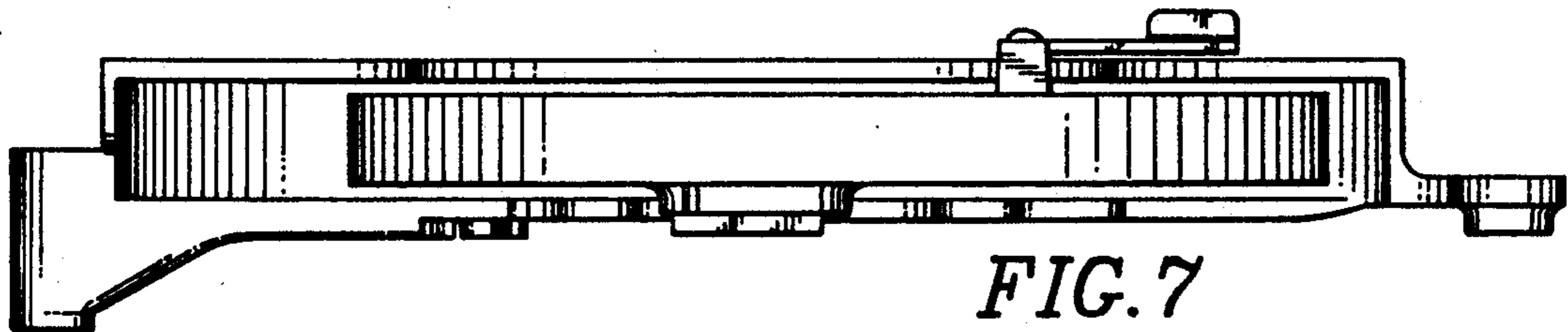
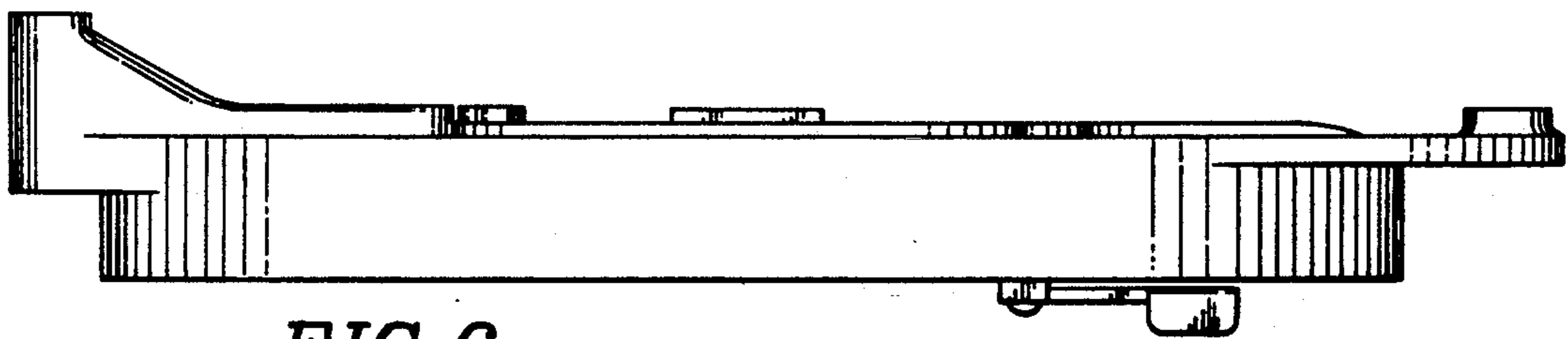
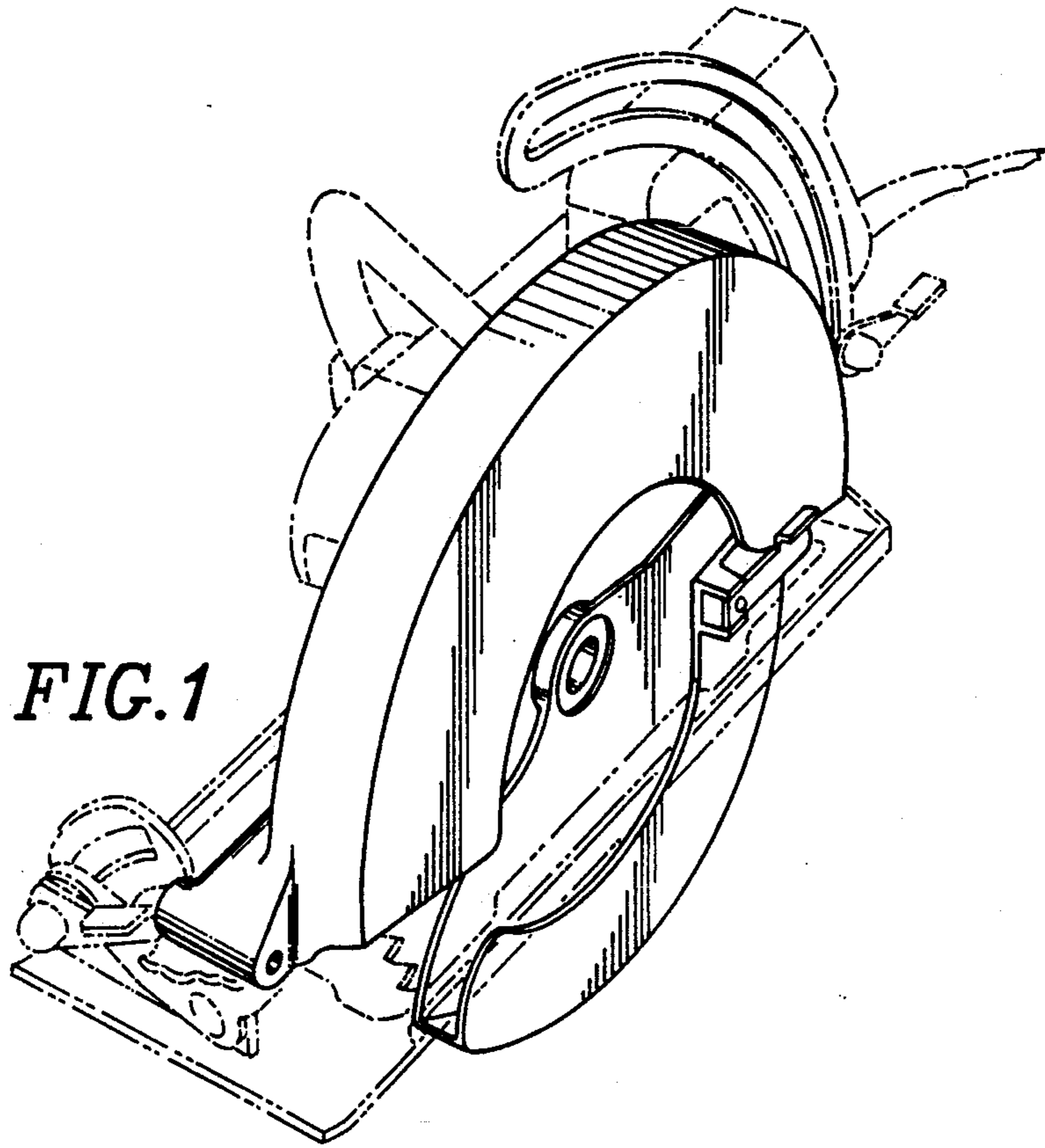
The ornamental design for a circular saw blade guard, as shown.

DESCRIPTION

FIG. 1 is a top, front and right side perspective view of a circular saw blade guard showing my new design; FIG. 2 is a right side elevational view thereof; FIG. 3 is a rear elevational view thereof; FIG. 4 is a left-hand side elevational view thereof; FIG. 5 is a front elevational view thereof; FIG. 6 is a top plan view thereof; and, FIG. 7 is a bottom plan view thereof.

[56] **References Cited**
U.S. PATENT DOCUMENTS
1,848,330 3/1932 Emmons 30/391
4,589,208 5/1986 Iwasaki et al. 30/391
4,693,008 9/1987 Velie 30/391





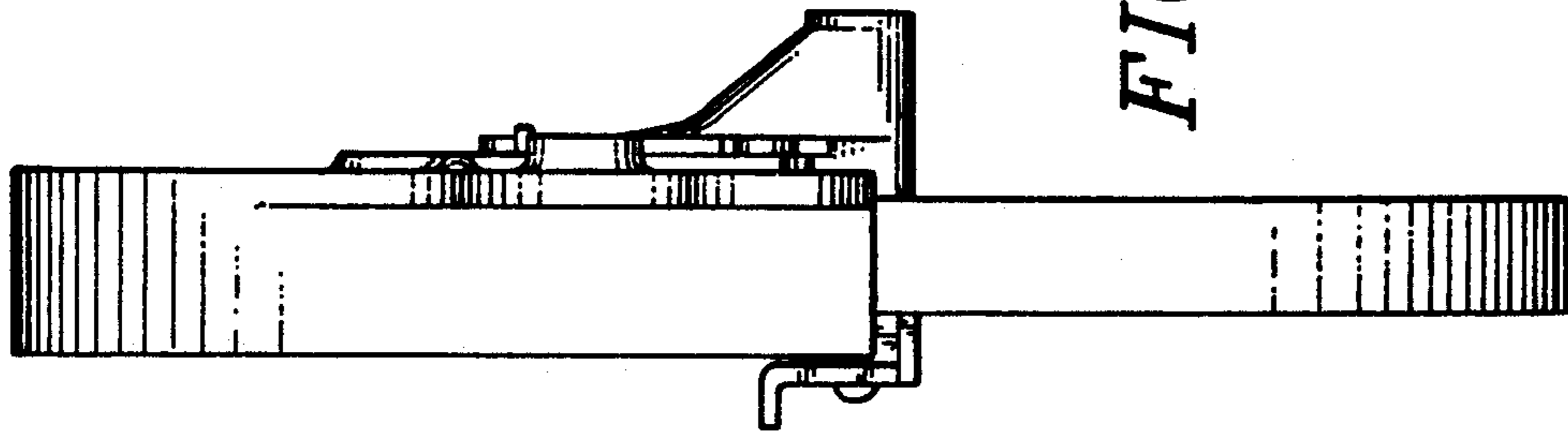


FIG. 3

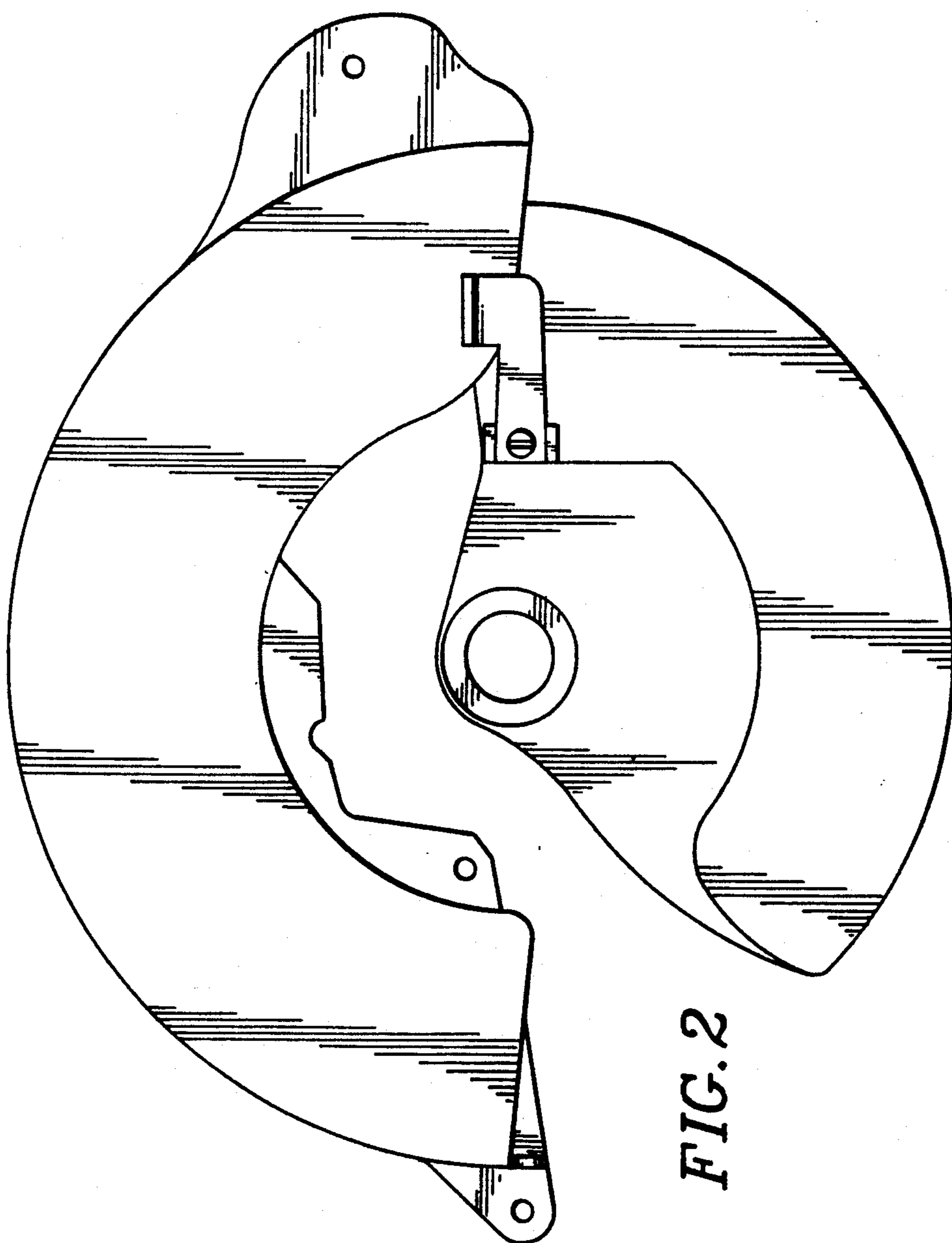


FIG. 2

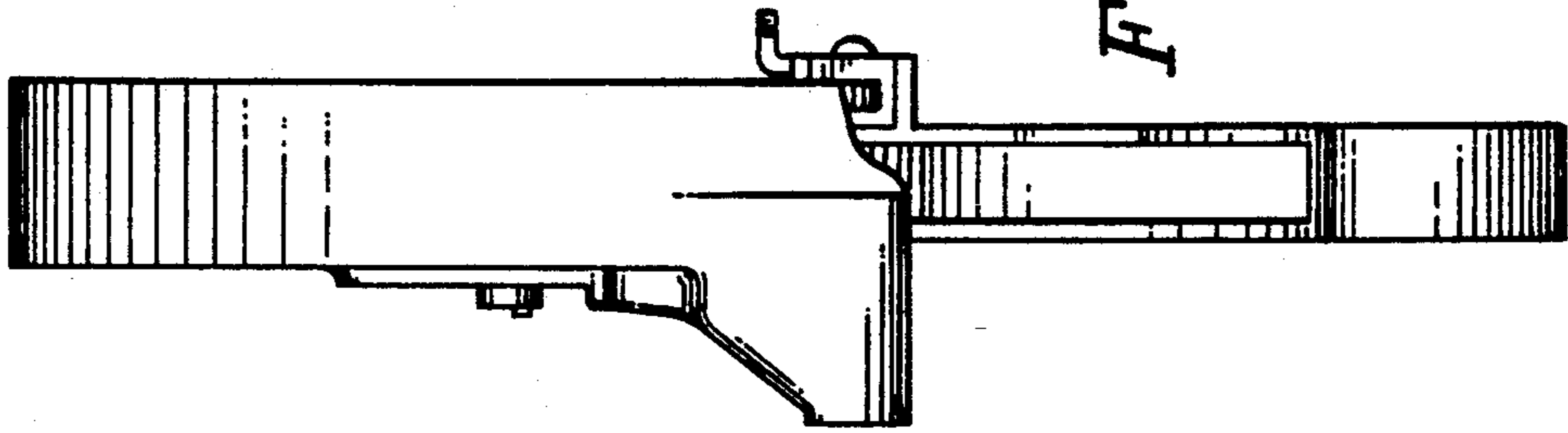


FIG. 5

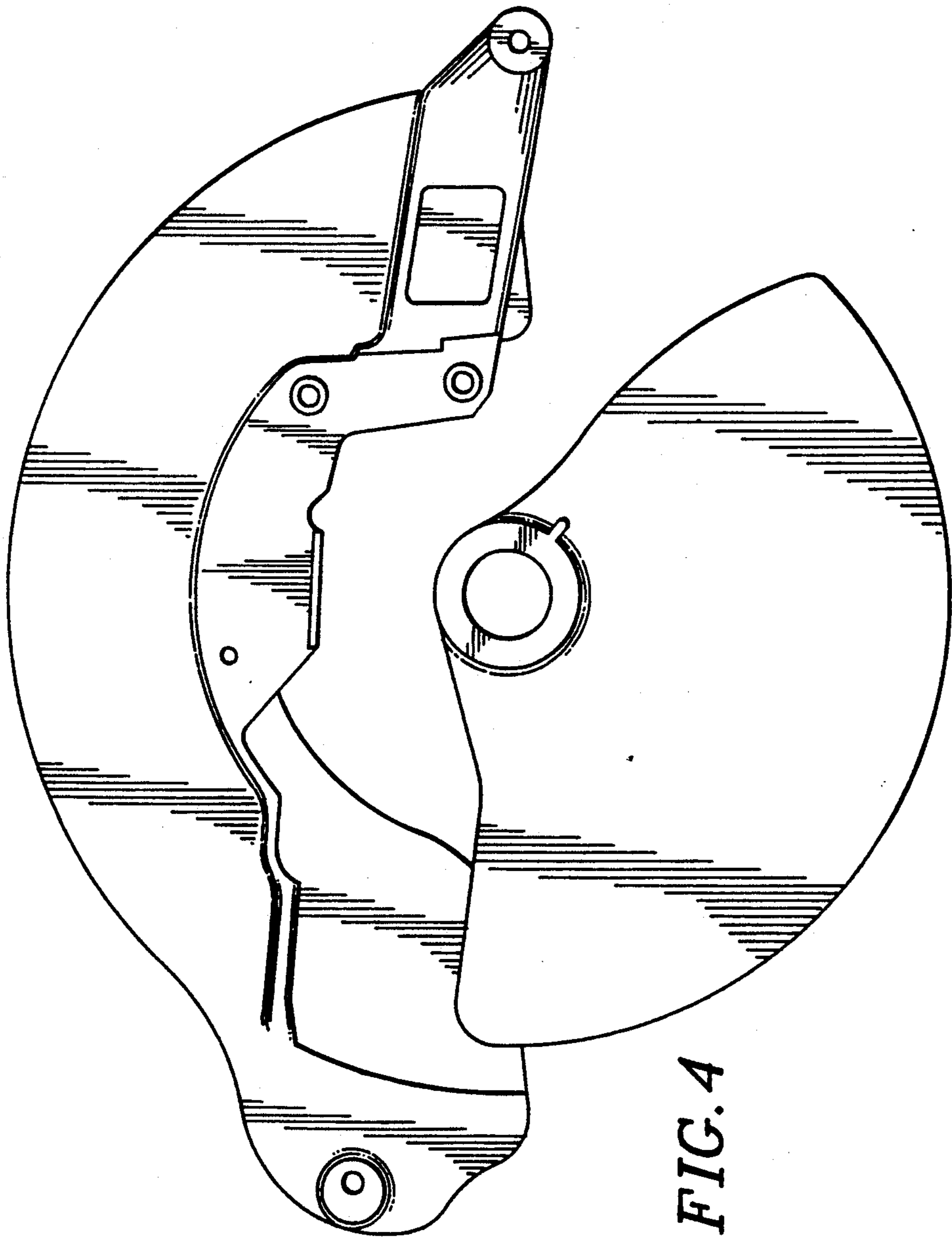


FIG. 4