



US00D337497S

United States Patent [19]

[11] Patent Number: **Des. 337,497**

Rose

[45] Date of Patent: **** Jul. 20, 1993**

[54] **CUTTING BLADE FOR SCISSORS**

3,086,286	4/1963	Faller	30/351
4,193,189	3/1980	Marin	30/349
4,890,388	1/1990	Rose	30/349

[76] Inventor: **Anthony Rose, 741 Lakefield Rd., Suite G, Westlake, Calif. 91361**

[**] Term: **14 Years**

Primary Examiner—Bernard Ansher
Assistant Examiner—Philip Hyder
Attorney, Agent, or Firm—Roger A. Marrs

[21] Appl. No.: **636,237**

[57] **CLAIM**

[22] Filed: **Dec. 31, 1990**

The ornamental design for a cutting blade for scissors, as shown.

[52] U.S. Cl. **D8/57**

[58] Field of Search **D8/98, 57; 30/346, 346.61, 30/346.56, 349, 351, 355**

DESCRIPTION

[56] **References Cited**

U.S. PATENT DOCUMENTS

D. 152,822	2/1949	Overshiner	D8/16
D. 248,166	6/1978	Kanai	D8/20
2,594,941	4/1952	Lincoln	30/349
2,666,258	1/1954	Vogel	30/349

FIG. 1 is a front elevational view of my new design for a cutting blade for scissors;
FIG. 2 is a rear elevational view thereof;
FIG. 3 is a bottom plan view thereof;
FIG. 4 is a top plan view thereof;
FIG. 5 is a left end elevational view thereof; and,
FIG. 6 is a right end elevational view thereof.

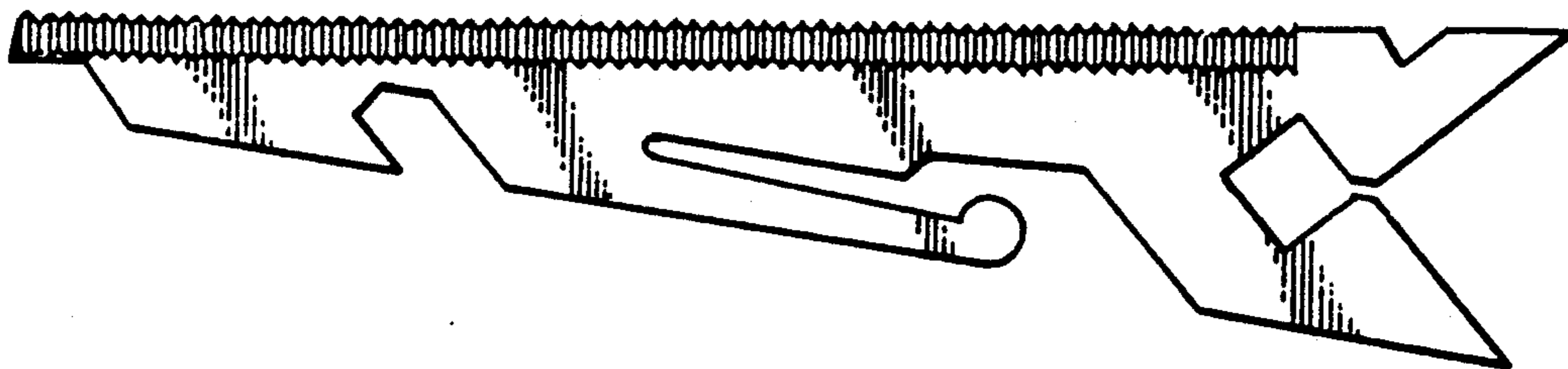


FIG. 1.

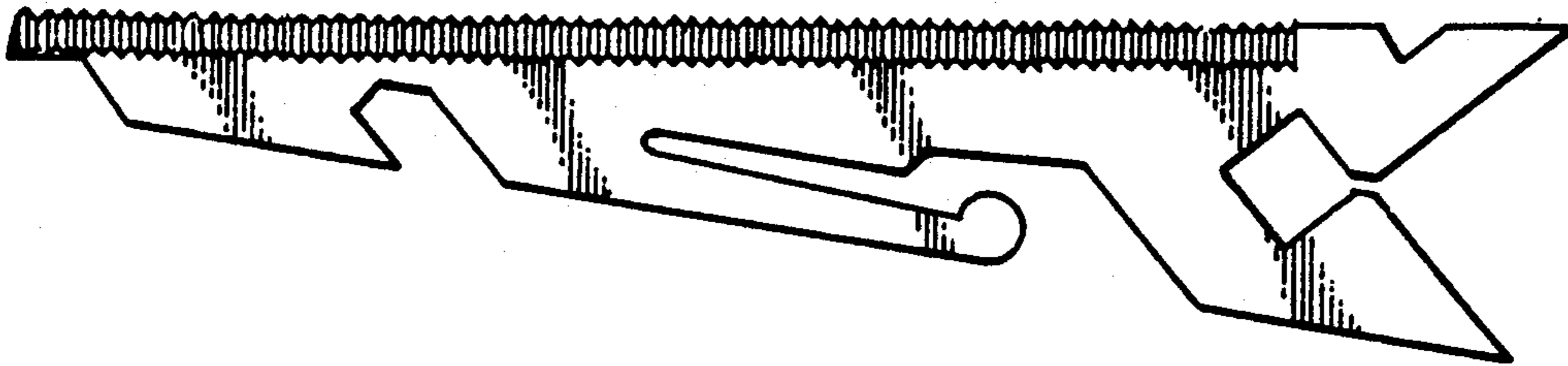


FIG. 2.

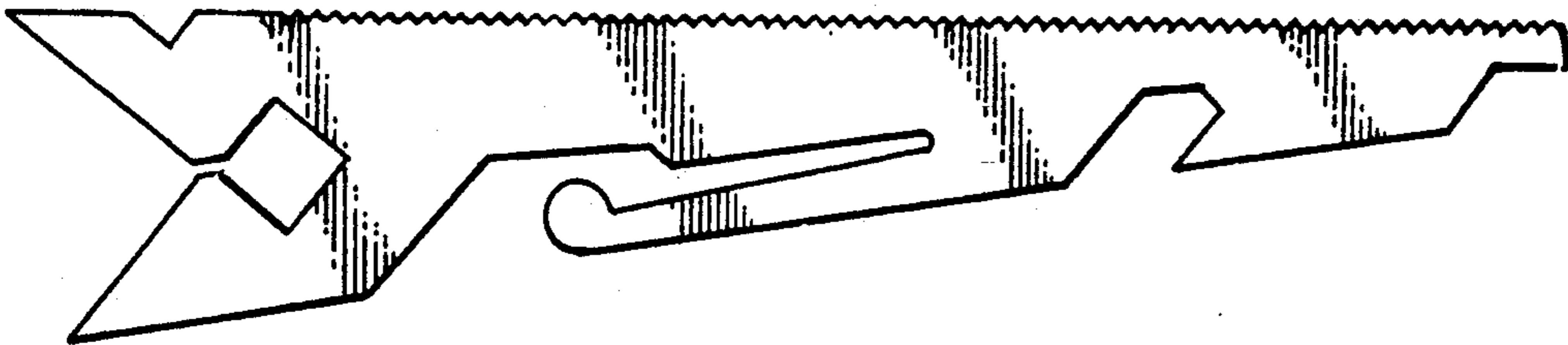


FIG. 3.



FIG. 4.



FIG. 5.



FIG. 6.

