



US00D337494S

United States Patent [19]
Cox

[11] **Patent Number: Des. 337,494**
[45] **Date of Patent: ** Jul. 20, 1993**

[54] **ROLLER SUPPORT FOR RIFLE BARRELS**

D. 257,554 11/1980 Haft D8/396

[76] **Inventor: Richard W. Cox, 2550 Ponder Pl., Gering, Nebr. 69341**

Primary Examiner—Wallace R. Burke
Assistant Examiner—H. Baynham
Attorney, Agent, or Firm—Timmons & Kelly

[**] **Term: 14 Years**

[21] **Appl. No.: 657,198**

[57] **CLAIM**

[22] **Filed: Feb. 19, 1991**

The ornamental design for a roller support for rifle barrels, as shown.

[52] **U.S. Cl. D8/380; D15/143**

[58] **Field of Search D8/380, 71; D6/552, D6/466; D15/140, 143; D34/29; 414/433; 254/395; 384/58**

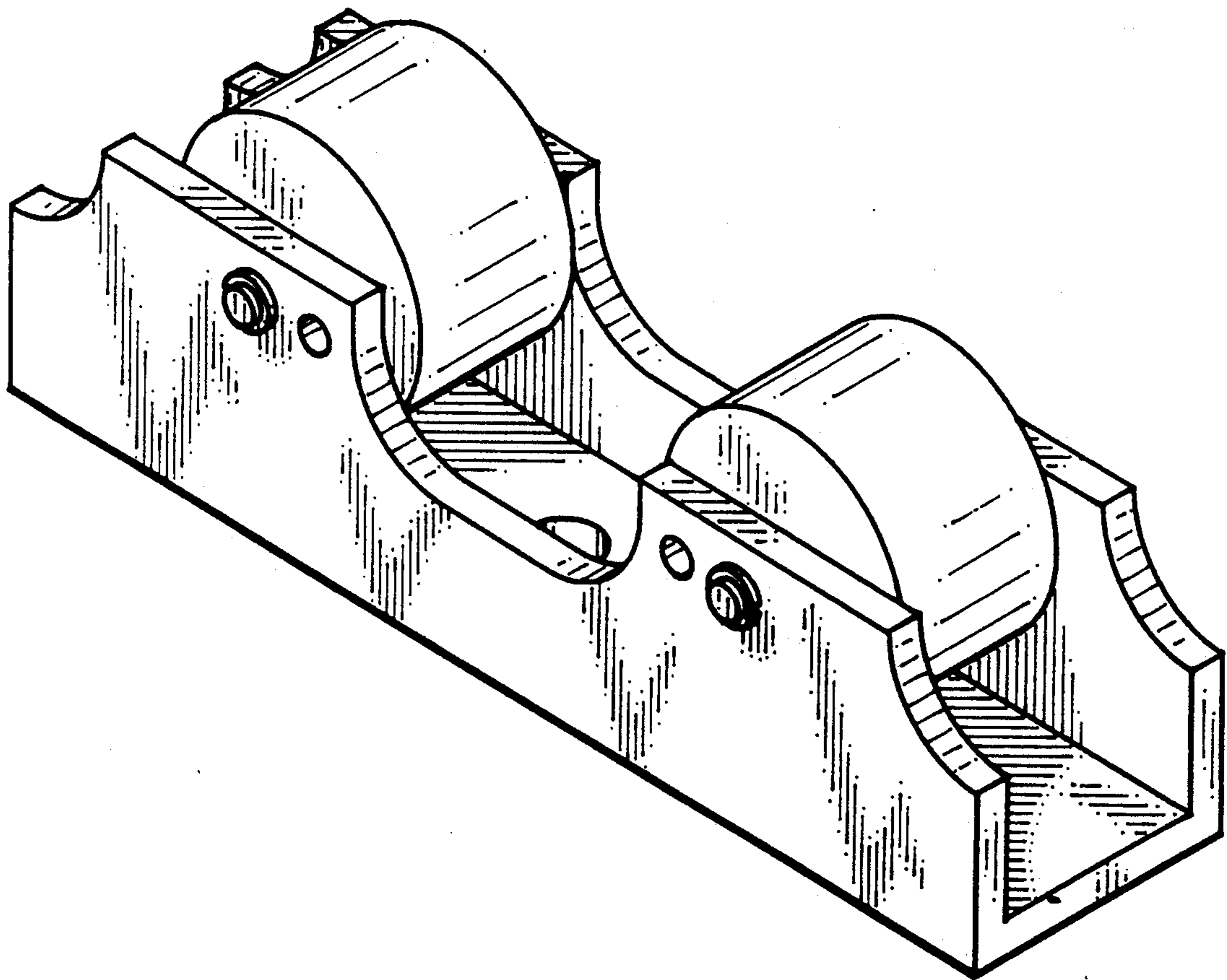
DESCRIPTION

FIG. 1 is a front, top perspective view of a roller support for rifle barrels showing my new design; FIG. 2 is a front elevational view thereof with the rear view being a mirror image thereof; FIG. 3 is a side elevational view thereof with the opposite side being a mirror image thereof; FIG. 4 is a top plan view thereof; and, FIG. 5 is a bottom plan view thereof.

[56] **References Cited**

U.S. PATENT DOCUMENTS

- D. 173,796 1/1955 Dreir D15/143
- D. 214,682 7/1969 Farmer D15/143
- D. 227,301 6/1973 Cobb D15/143



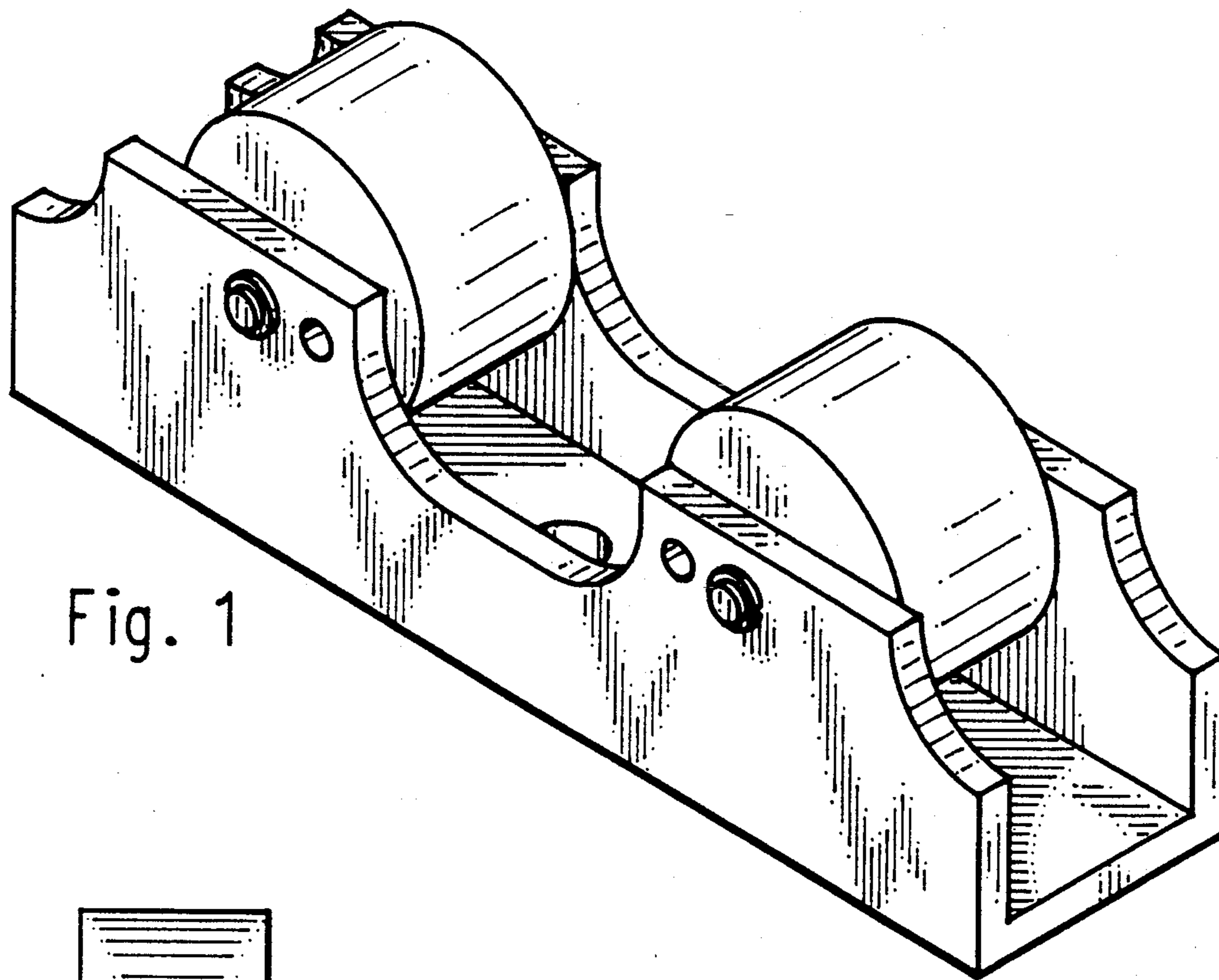


Fig. 1

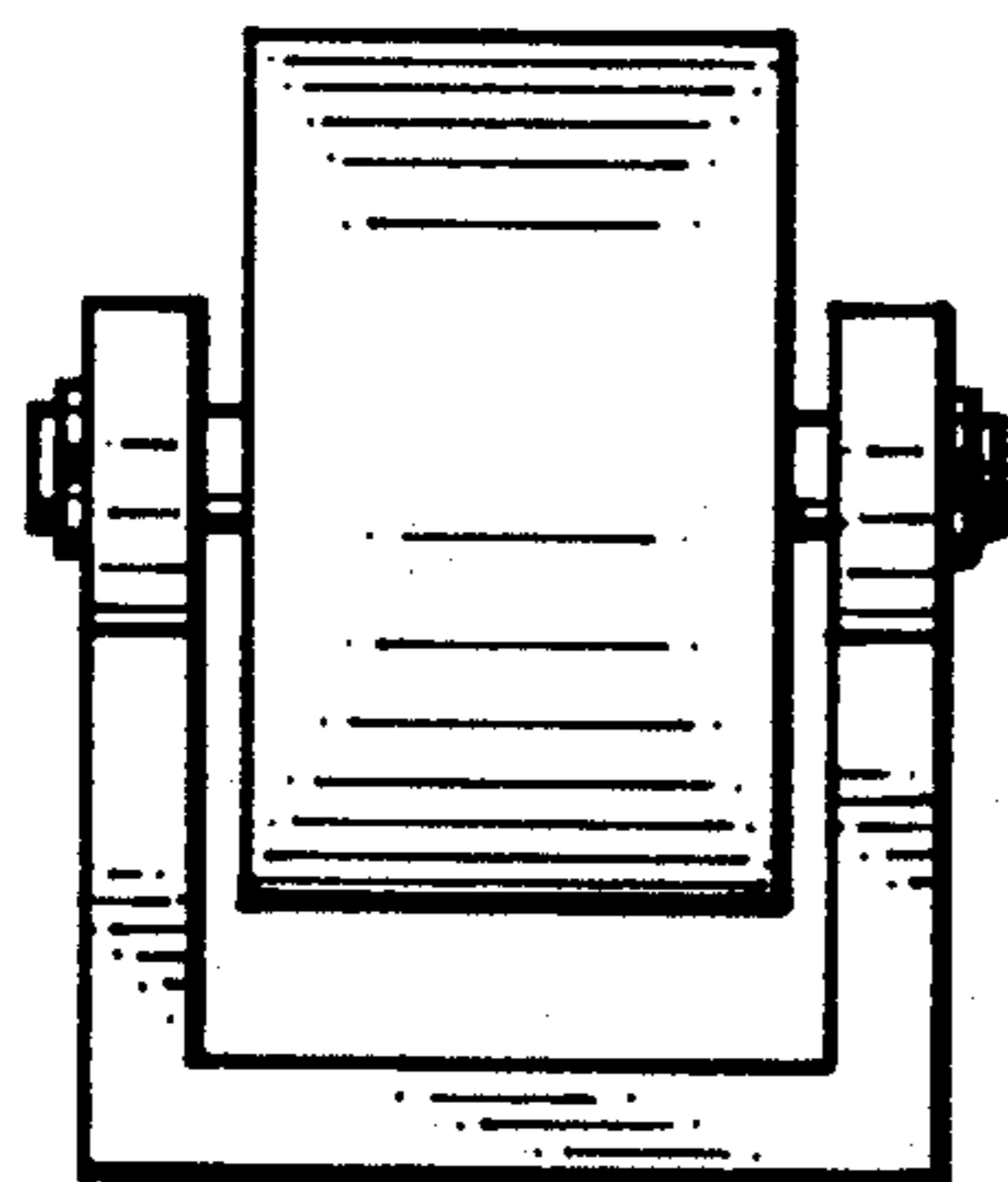


Fig. 2

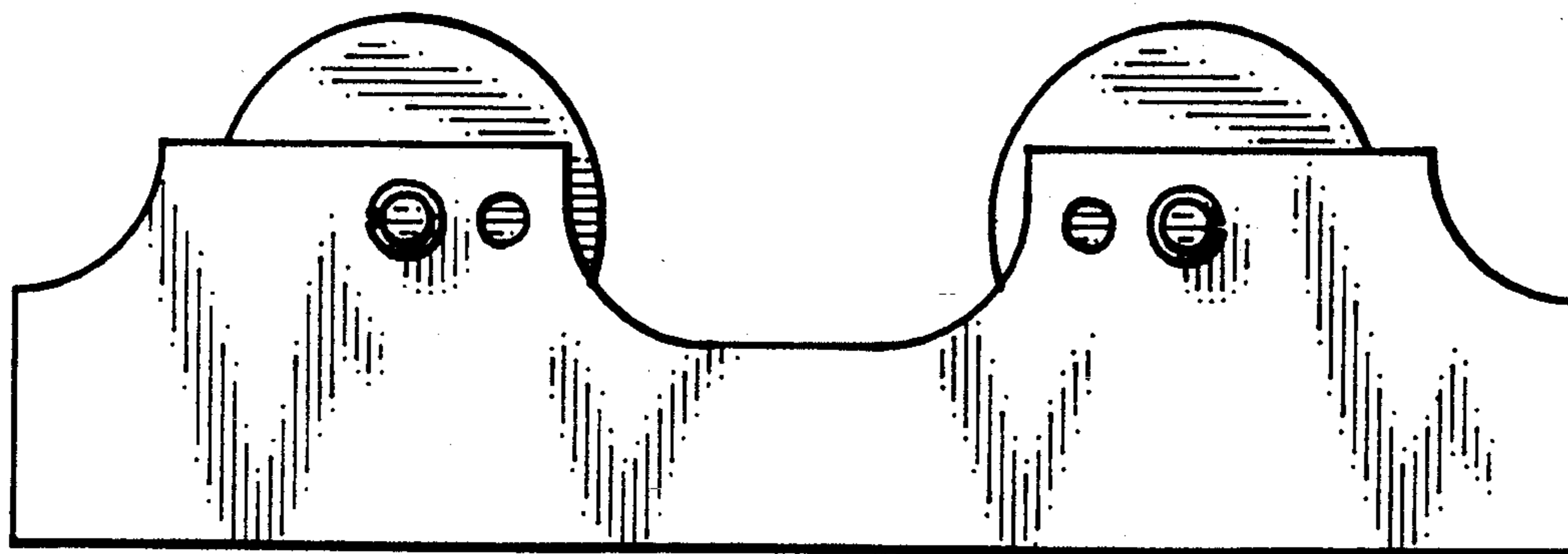


Fig. 3

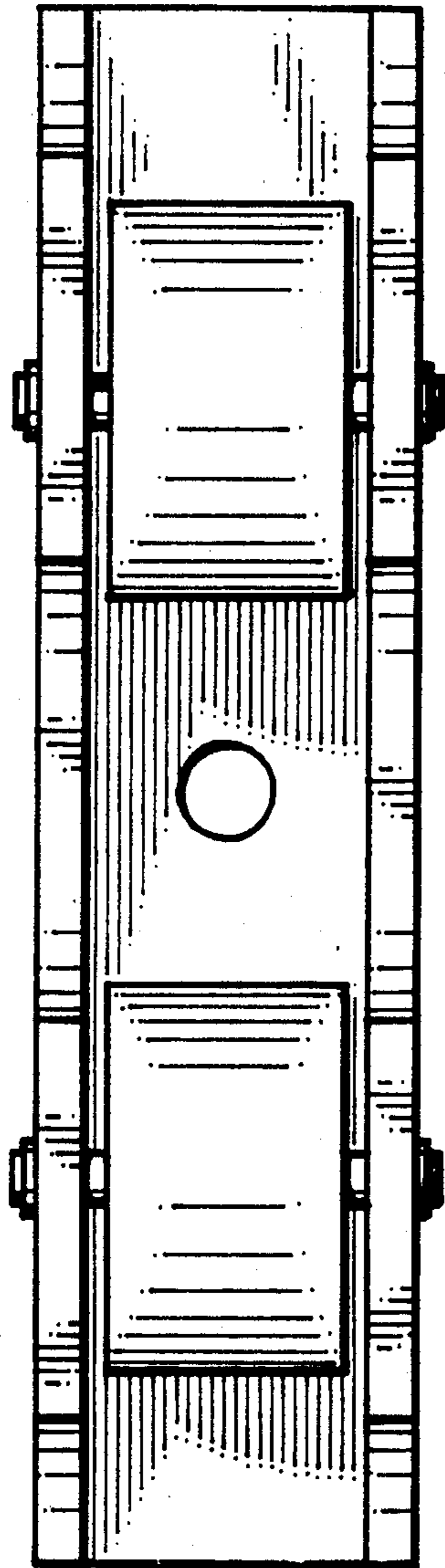


Fig. 4

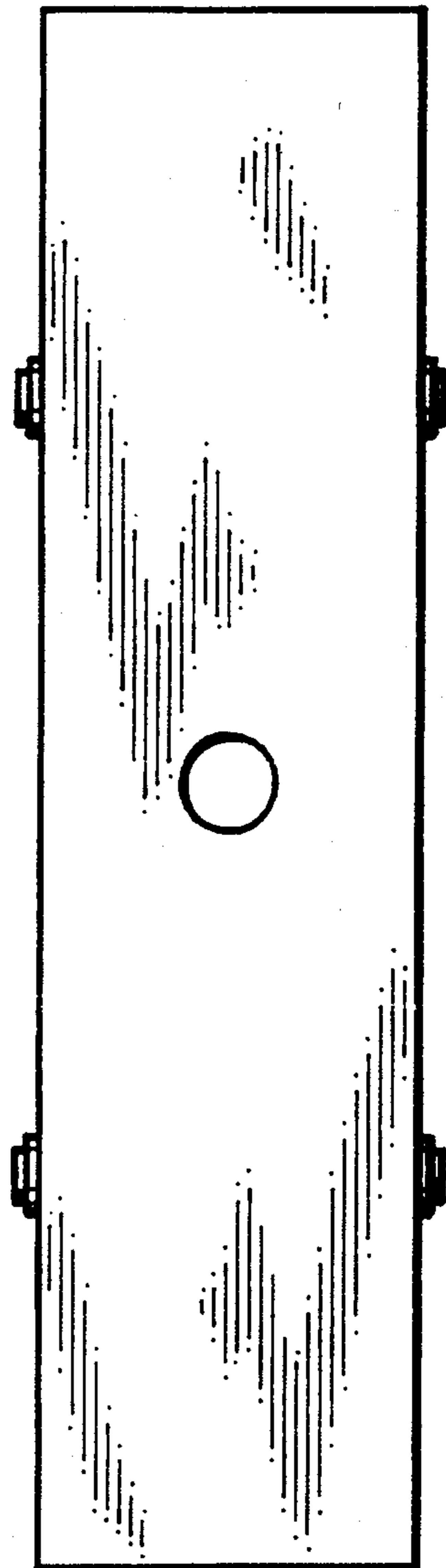


Fig. 5