



US00D337476S

United States Patent [19]

[11] Patent Number: **Des. 337,476**

Raab

[45] Date of Patent: **** Jul. 20, 1993**

[54] **COMBINATION TOASTER AND ELECTRIC CAN OPENER**

[75] Inventor: **John J. Raab, Brielle, N.J.**

[73] Assignee: **Robeson Industries Corp., South Plainfield, N.J.**

[**] Term: **14 Years**

[21] Appl. No.: **649,824**

[22] Filed: **Feb. 1, 1991**

[52] U.S. Cl. **D7/329; D7/323; D7/330**

[58] Field of Search **D7/323, 328-330; D8/34, 36; 99/372, 385, 389**

[56] **References Cited**

U.S. PATENT DOCUMENTS

- D. 304,661 11/1989 Van Asten D7/330
- D. 323,759 2/1992 Barrault D7/328 X
- D. 328,833 8/1992 Myers et al. D7/328 X

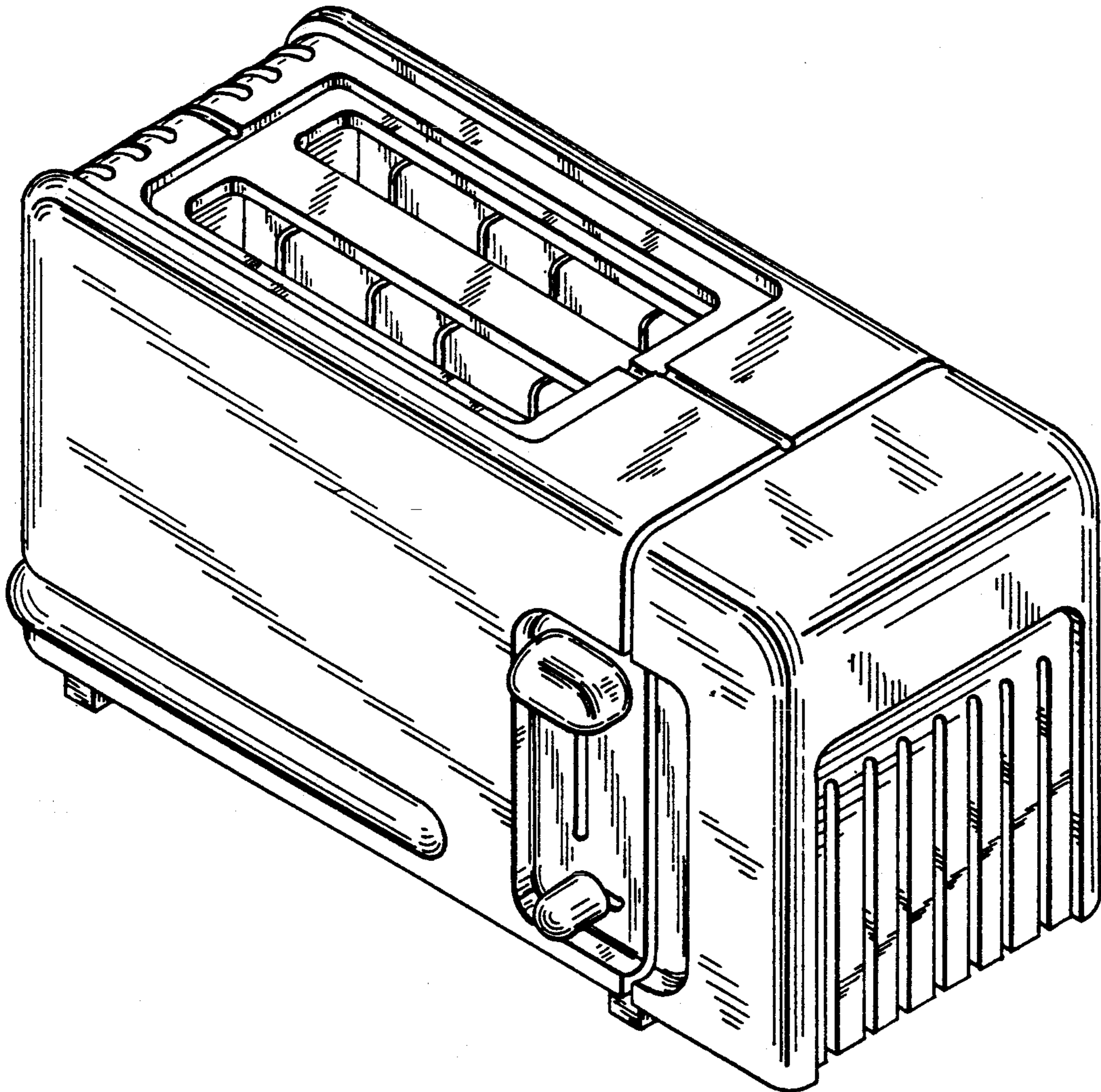
Primary Examiner—Nelson C. Holtje
Assistant Examiner—Caron D. Veynar
Attorney, Agent, or Firm—Alan H. Levine; Howard F. Mandelbaum

[57] **CLAIM**

The ornamental design for a combination toaster and electric can opener, as shown.

DESCRIPTION

FIG. 1 is a perspective view from the front, top, and right side of a combination toaster and electric can opener showing my new design;
FIG. 2 is a perspective view therefrom from the rear, bottom, and left side;
FIG. 3 is a view similar to FIG. 1, showing the access door to the can opener open;
FIG. 4 is a fragmentary rear view taken along line 4—4 of FIG. 3; and,
FIG. 5 is a fragmentary bottom view taken along line 5—5 of FIG. 3.



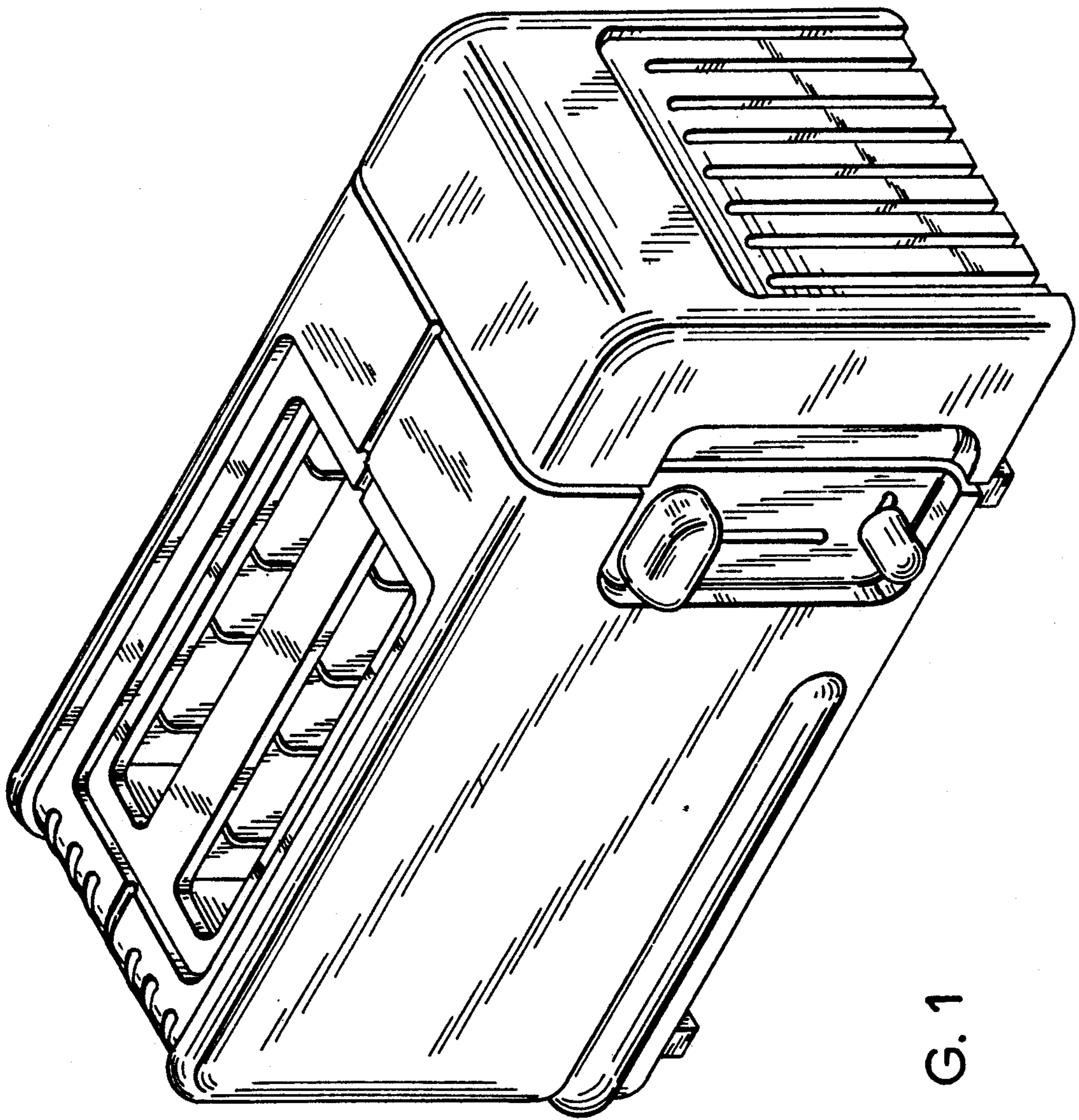


FIG. 1

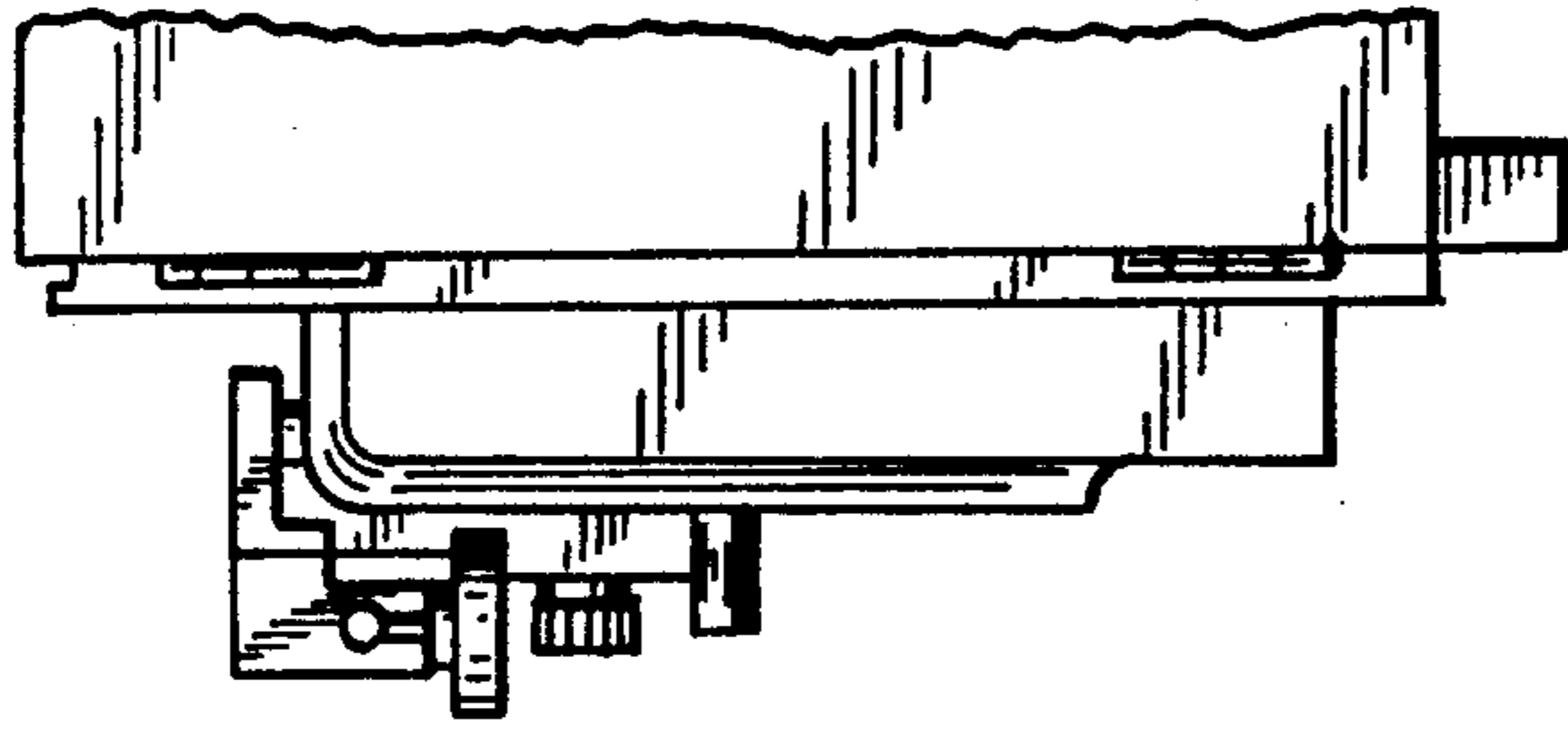


FIG. 4

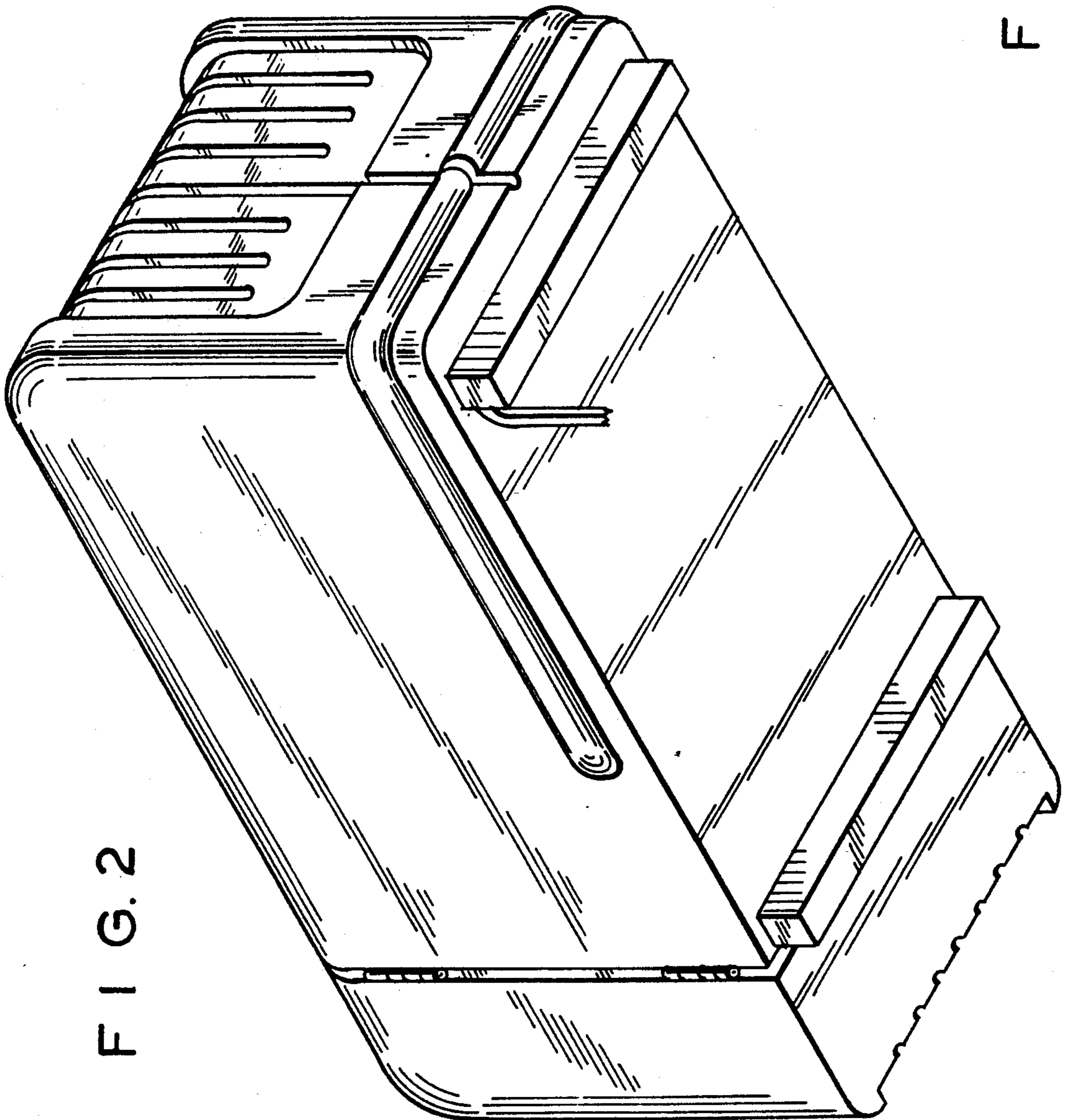


FIG. 2

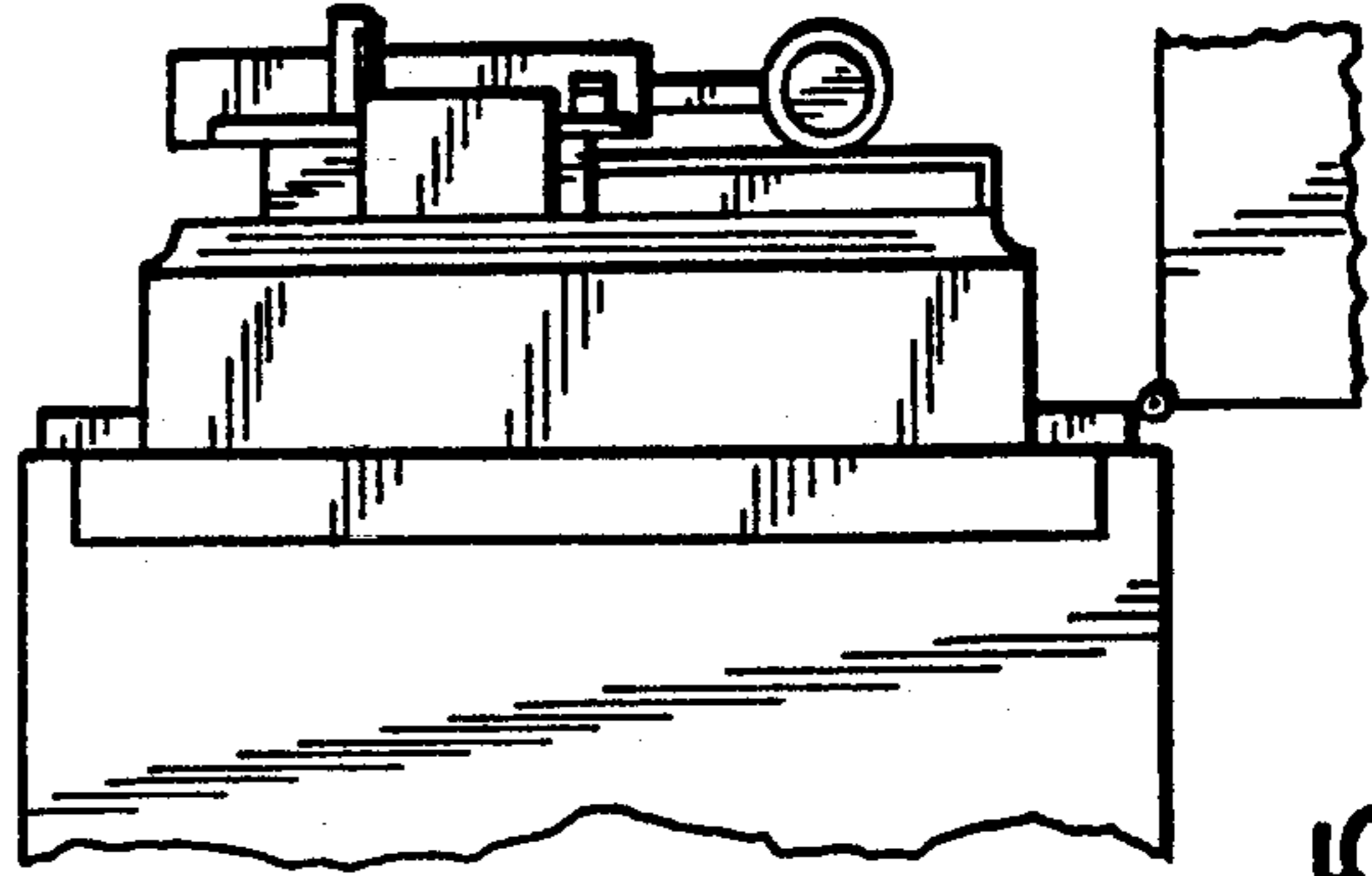


FIG. 5

FIG. 3

