



US00D337475S

United States Patent [19]

[11] Patent Number: **Des. 337,475**

Seiffert

[45] Date of Patent: **** Jul. 20, 1993**

- [54] **ESPRESSO MAKING MACHINE**
- [75] Inventor: **Florian Seiffert, Wiesbaden, Fed. Rep. of Germany**
- [73] Assignee: **Robert Krups GmbH & Co. KG, Solingen, Fed. Rep. of Germany**
- [**] Term: **14 Years**
- [21] Appl. No.: **626,691**
- [22] Filed: **Dec. 12, 1990**
- [52] U.S. Cl. **D7/309; D7/311**
- [58] Field of Search **D7/313, 311, 308, 305, D7/306, 307, 309, 310, 312; 222/129.1-129.4; 99/300, 323.3, 292, 323.1, 293, 294, 306**

4,800,805 1/1989 Mahlich et al. 99/293
 4,852,474 8/1989 Mahlich et al. D7/309 X

OTHER PUBLICATIONS

Robot-Coupe HFD Retailing Home Furnishings May 4, 1981.

Primary Examiner—Nelson C. Holtje
Assistant Examiner—M. N. Pandozzi
Attorney, Agent, or Firm—Peter K. Kontler

[57] CLAIM

The ornamental design for an espresso making machine, as shown and described.

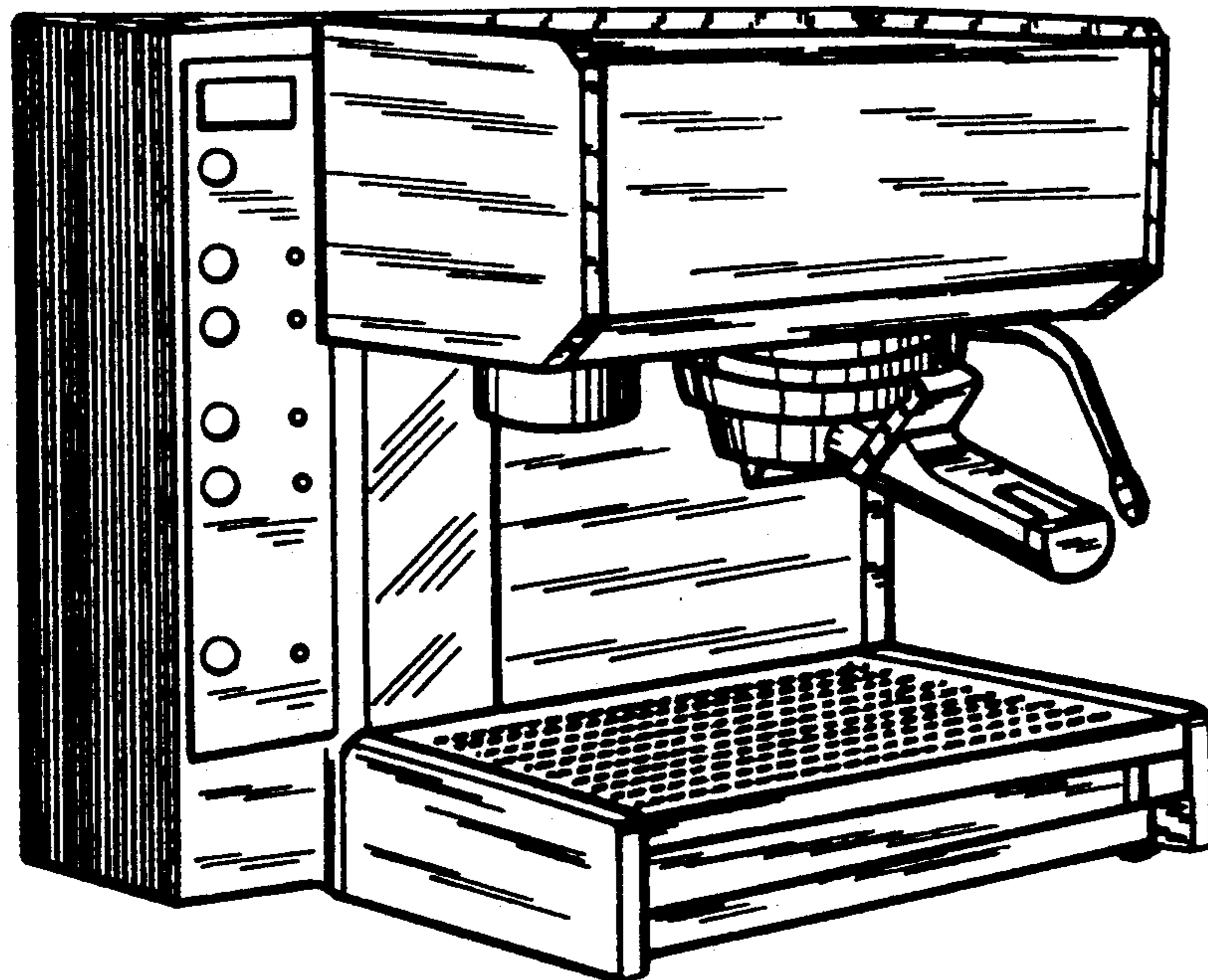
DESCRIPTION

FIG. 1 is a front left-hand perspective view of an espresso making machine showing my new design; FIG. 2 is a front elevational view thereof; FIG. 3 is a right-hand side elevational view thereof; FIG. 4 is a top plan view thereof; FIG. 5 is a bottom plan view thereof; FIG. 6 is a rear elevational view thereof; and, FIG. 7 is a left-hand side elevational view thereof.

[56] References Cited

U.S. PATENT DOCUMENTS

- D. 293,486 5/1988 Eugster et al. D7/309
- D. 299,999 2/1989 Pandolfi D7/309
- D. 300,597 4/1989 Pandolfi D7/311 X
- D. 323,949 2/1992 Kahlcke D7/309
- D. 324,621 3/1992 Haslacher D7/311 X



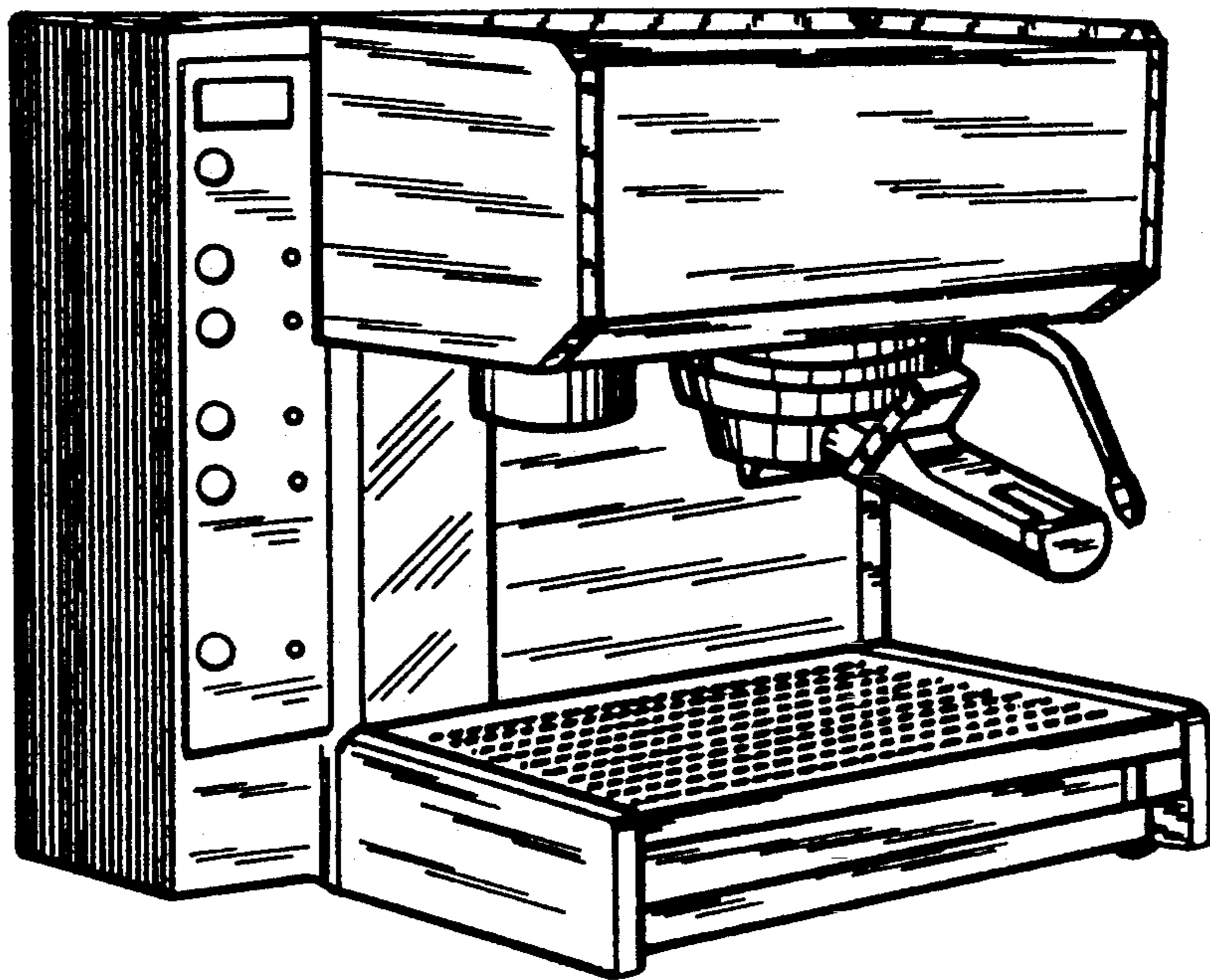


FIG. 1

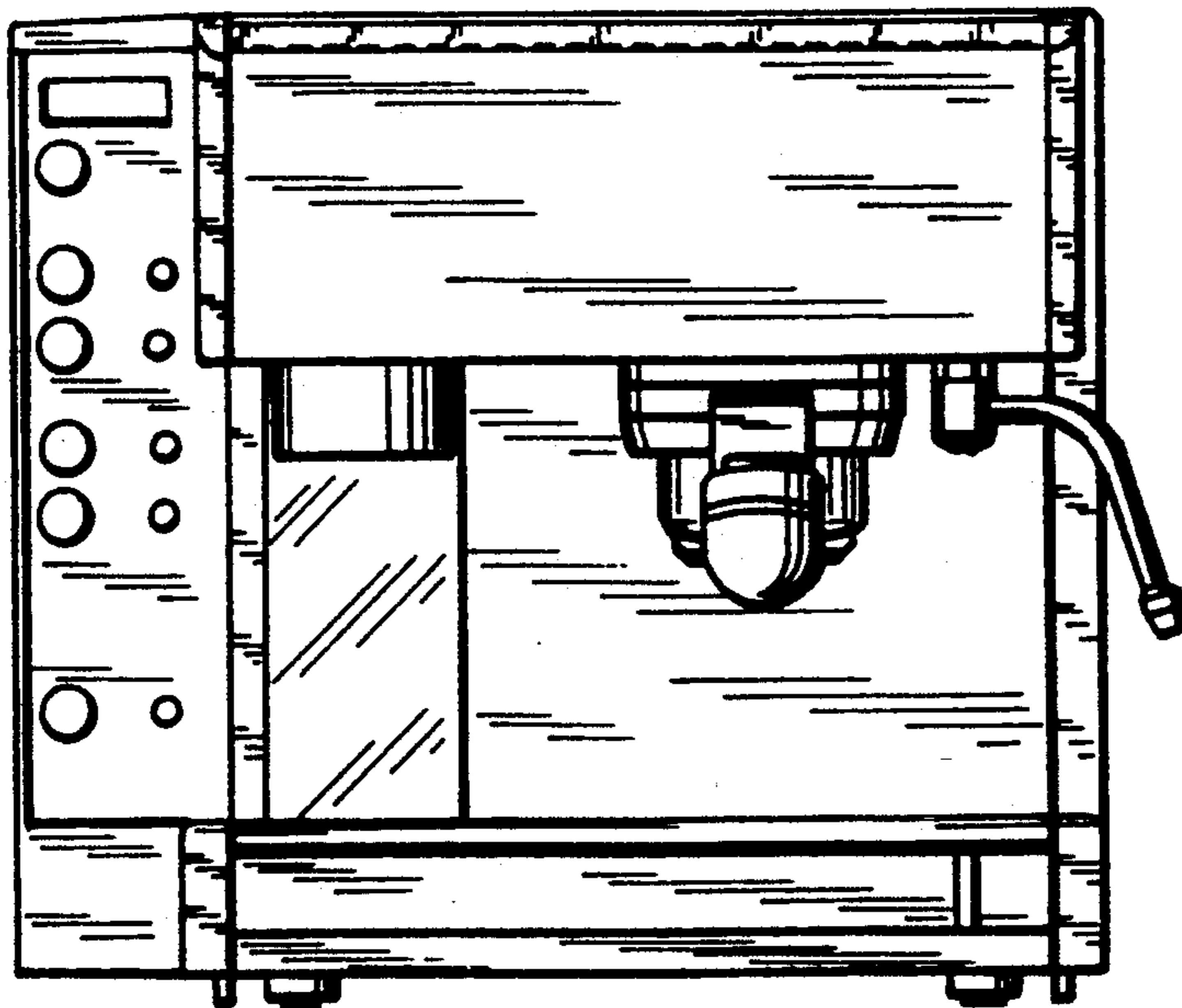


FIG. 2

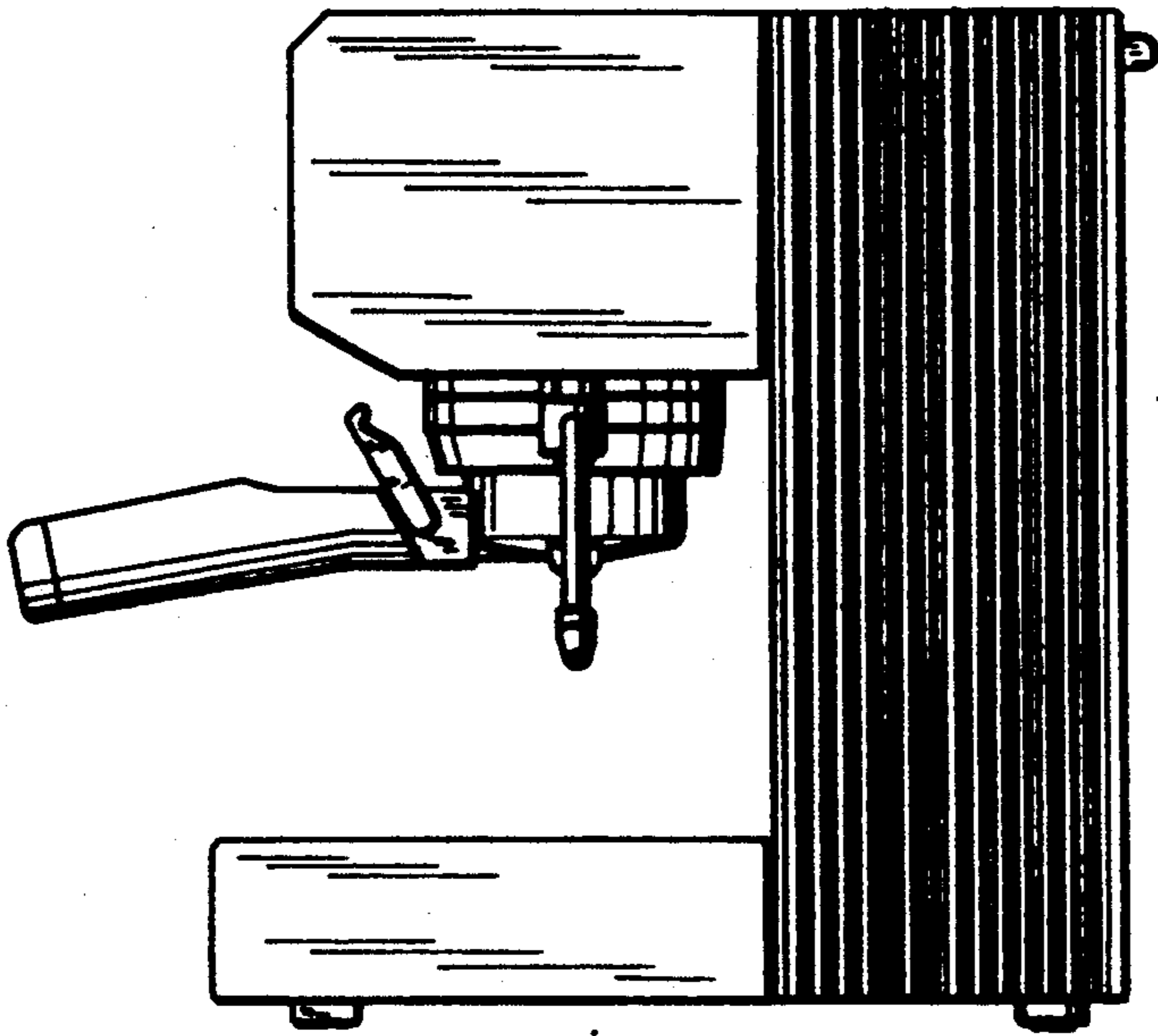


FIG.3

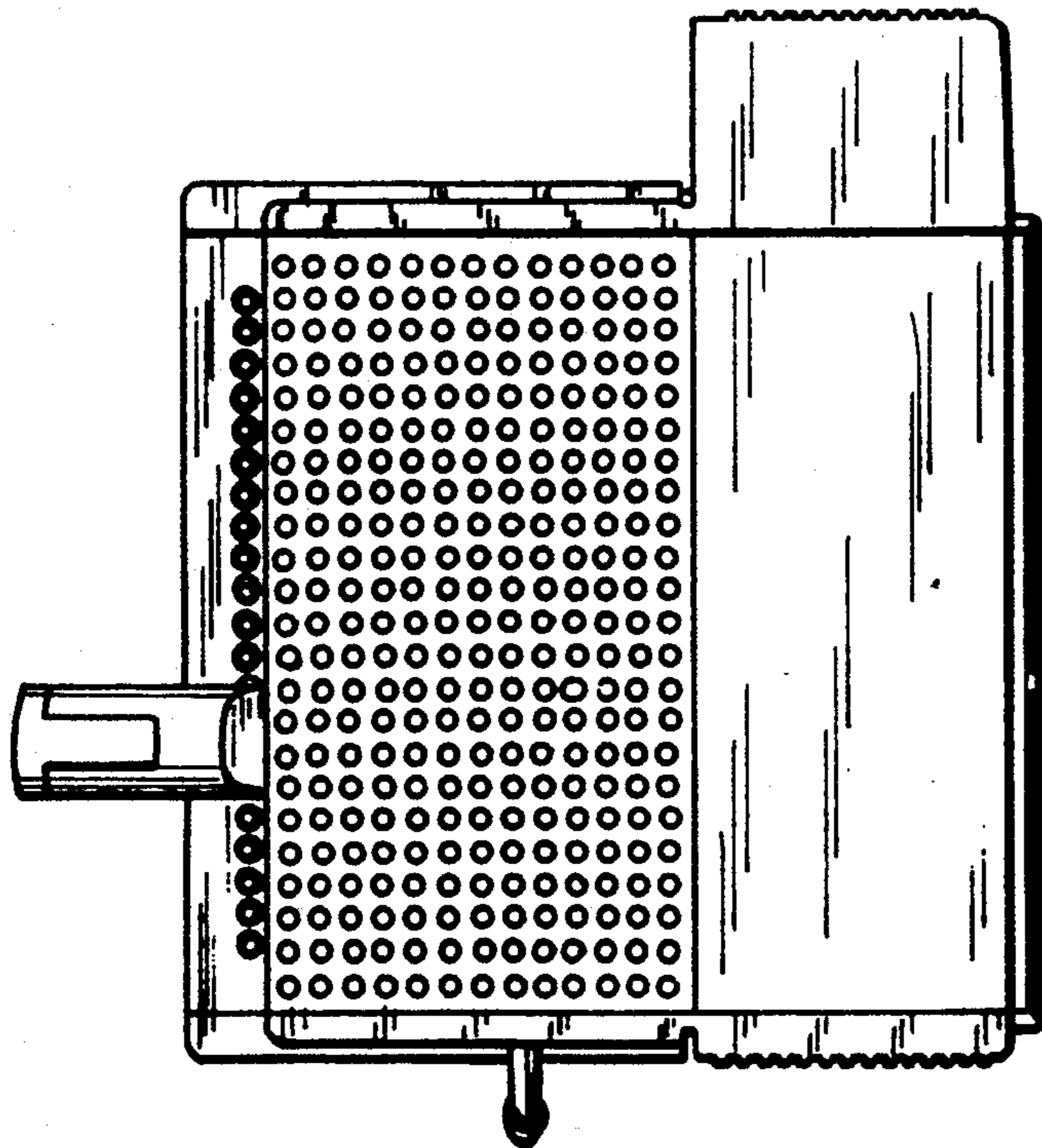


FIG.4

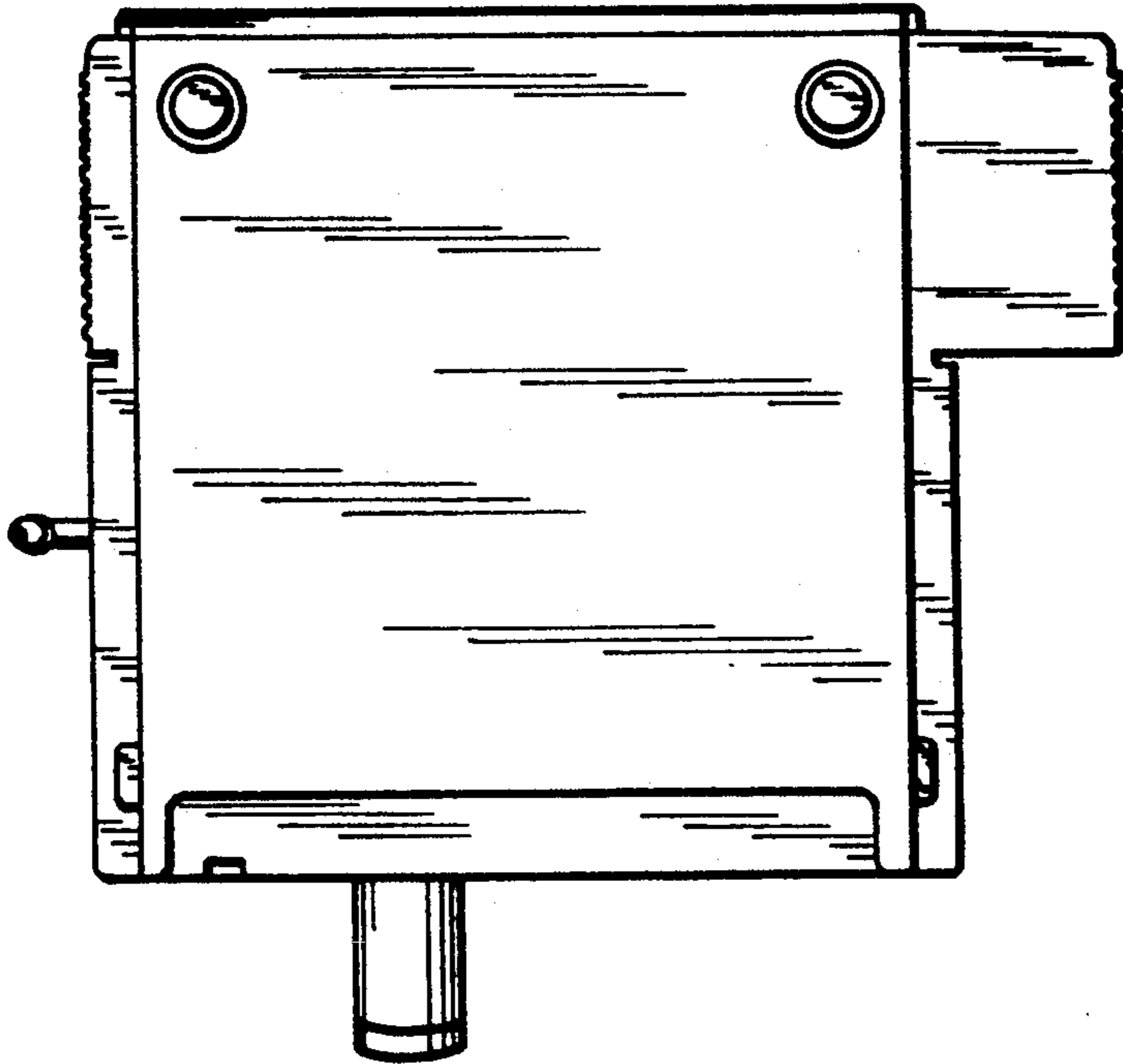


FIG. 5

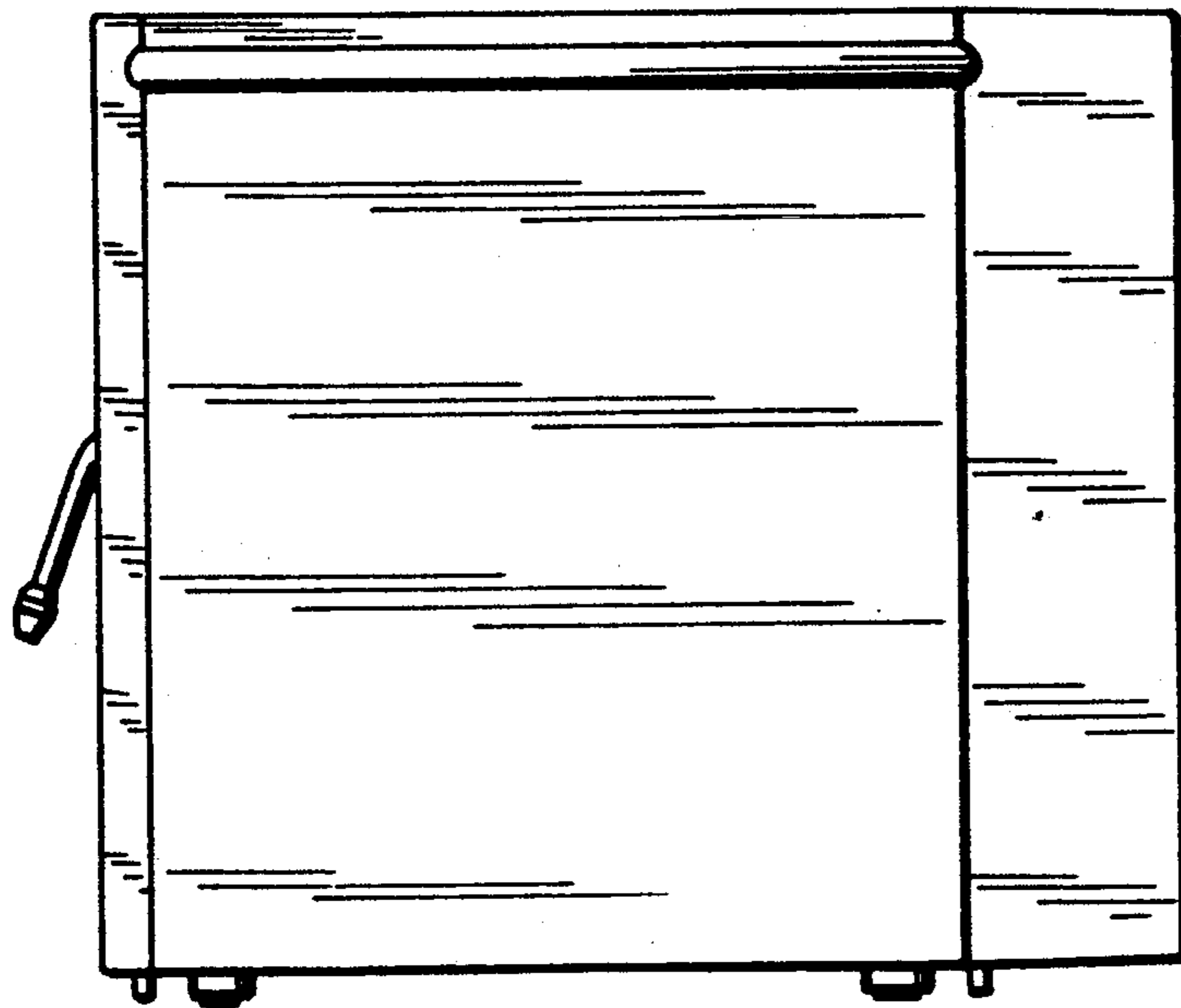


FIG. 6

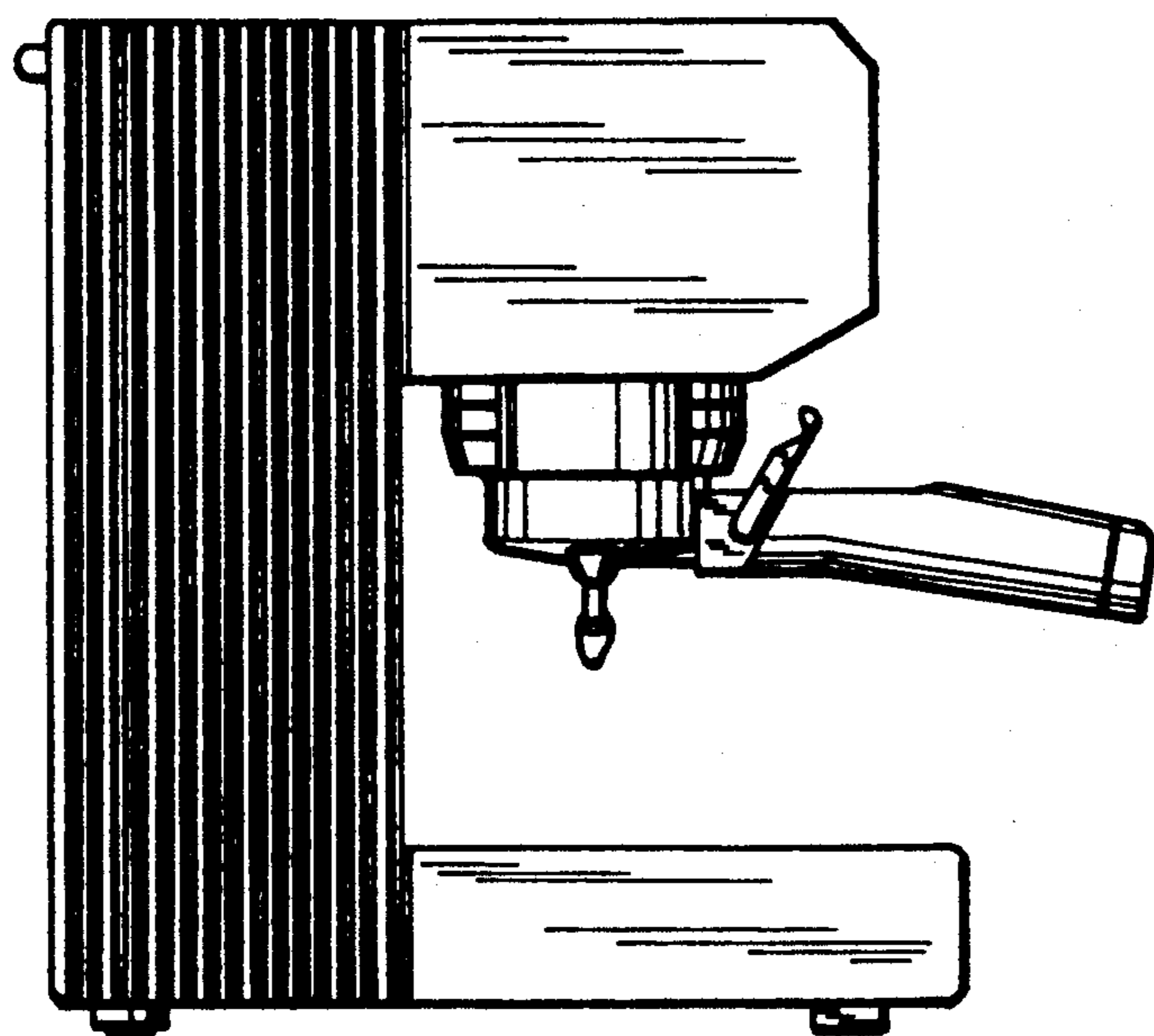


FIG. 7