



US00D337473S

# United States Patent [19]

[11] Patent Number: **Des. 337,473**

Deandrea, Jr.

[45] Date of Patent: **\*\* Jul. 20, 1993**

## [54] TRAVELING ELECTRIC BLANKET

[76] Inventor: **Frank V. Deandrea, Jr.**, 562 Pardee St., Hazleton, Pa. 18201

[\*\*] Term: **14 Years**

[21] Appl. No.: **778,649**

[22] Filed: **Oct. 18, 1991**

[52] U.S. Cl. .... **D6/603**

[58] Field of Search ..... **D6/603, 595, 596; 219/212, 528, 529, 549; D5/7, 59**

### [56] References Cited

#### U.S. PATENT DOCUMENTS

2,697,775	12/1954	Licht .....	219/212
3,014,117	12/1961	Madding .....	219/549
3,130,289	4/1964	Katzman et al. ....	219/528

### OTHER PUBLICATIONS

Symbol Source Book, ©1972, p. 154, the symbol a on the diver's flag, top right side of page.

*Primary Examiner*—Wallace R. Burke  
*Assistant Examiner*—Lisa Lichtenstein  
*Attorney, Agent, or Firm*—Hugh E. Smith

### [57] CLAIM

The ornamental design for a traveling electric blanket, as shown and described.

### DESCRIPTION

FIG. 1 is a front elevational view of the traveling electric blanket showing my new design;  
FIG. 2 is a rear elevational view thereof;  
FIG. 3 is a left side elevational view thereof;  
FIG. 4 is a right side elevational view thereof;  
FIG. 5 is a top plan view thereof;  
FIG. 6 is a bottom plan view thereof; and,  
FIG. 7 is an isometric view thereof.

The fabric pattern fragmentarily shown in FIGS. 1-7, is understood to extend throughout the electric blanket.

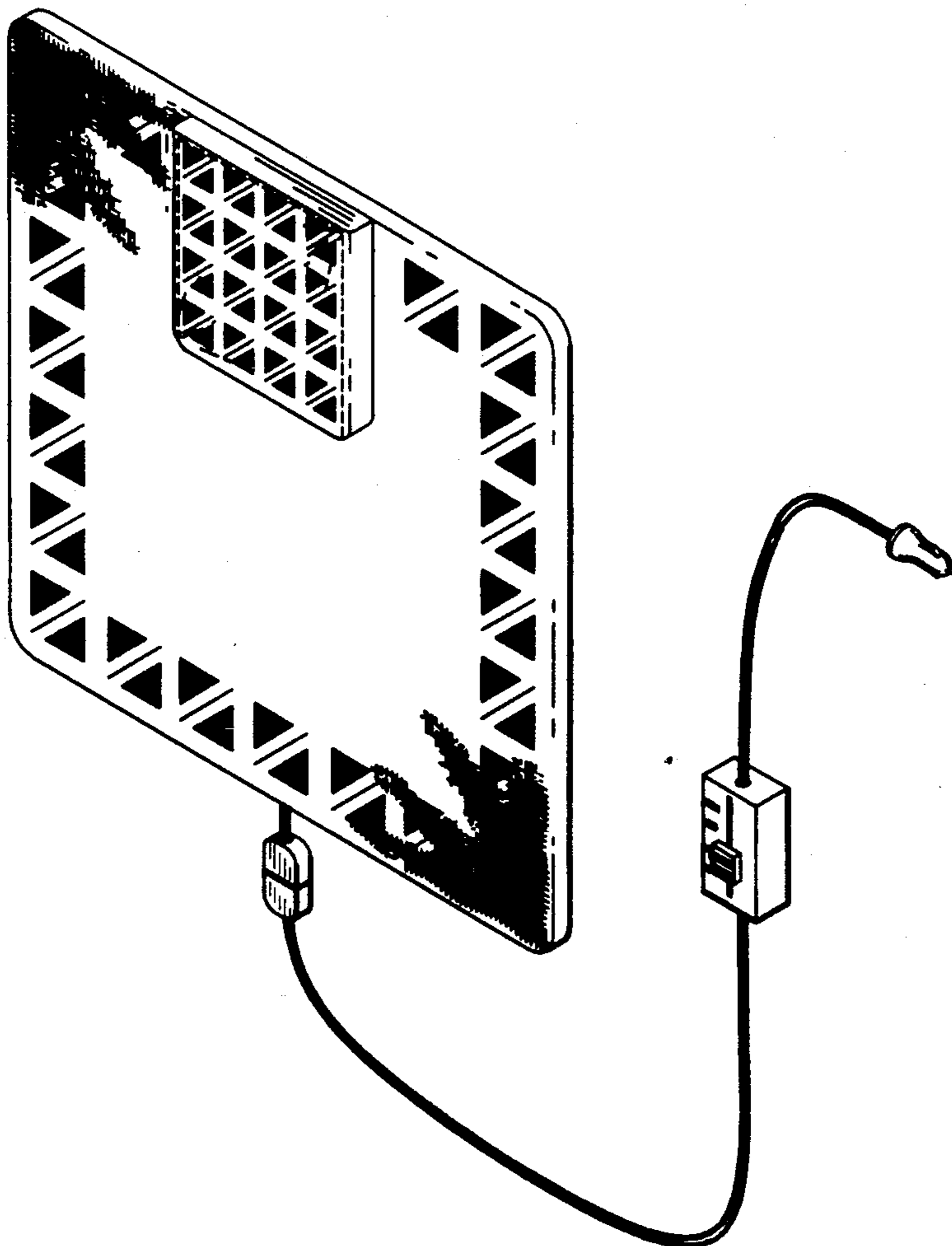


FIG. 1

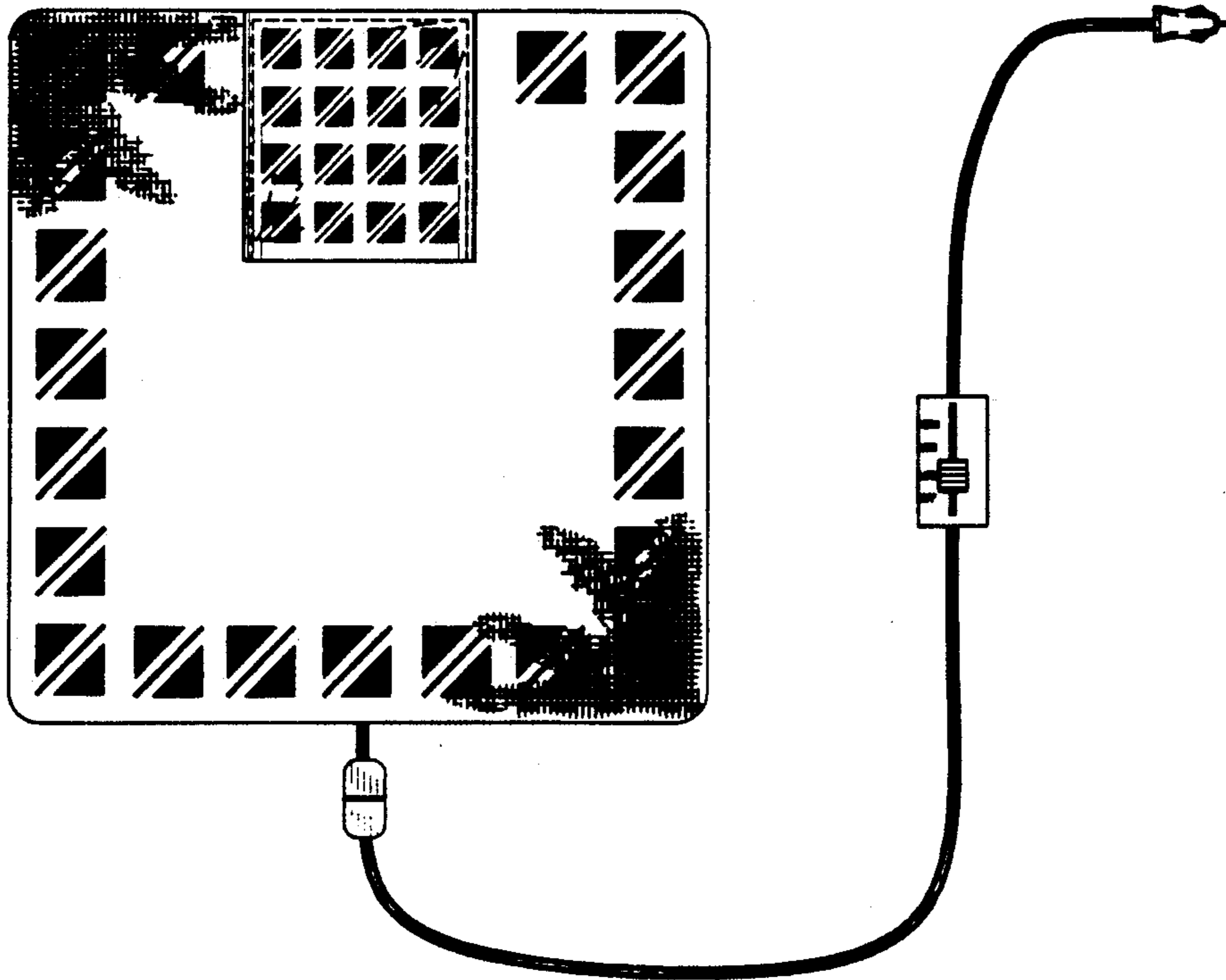


FIG. 2

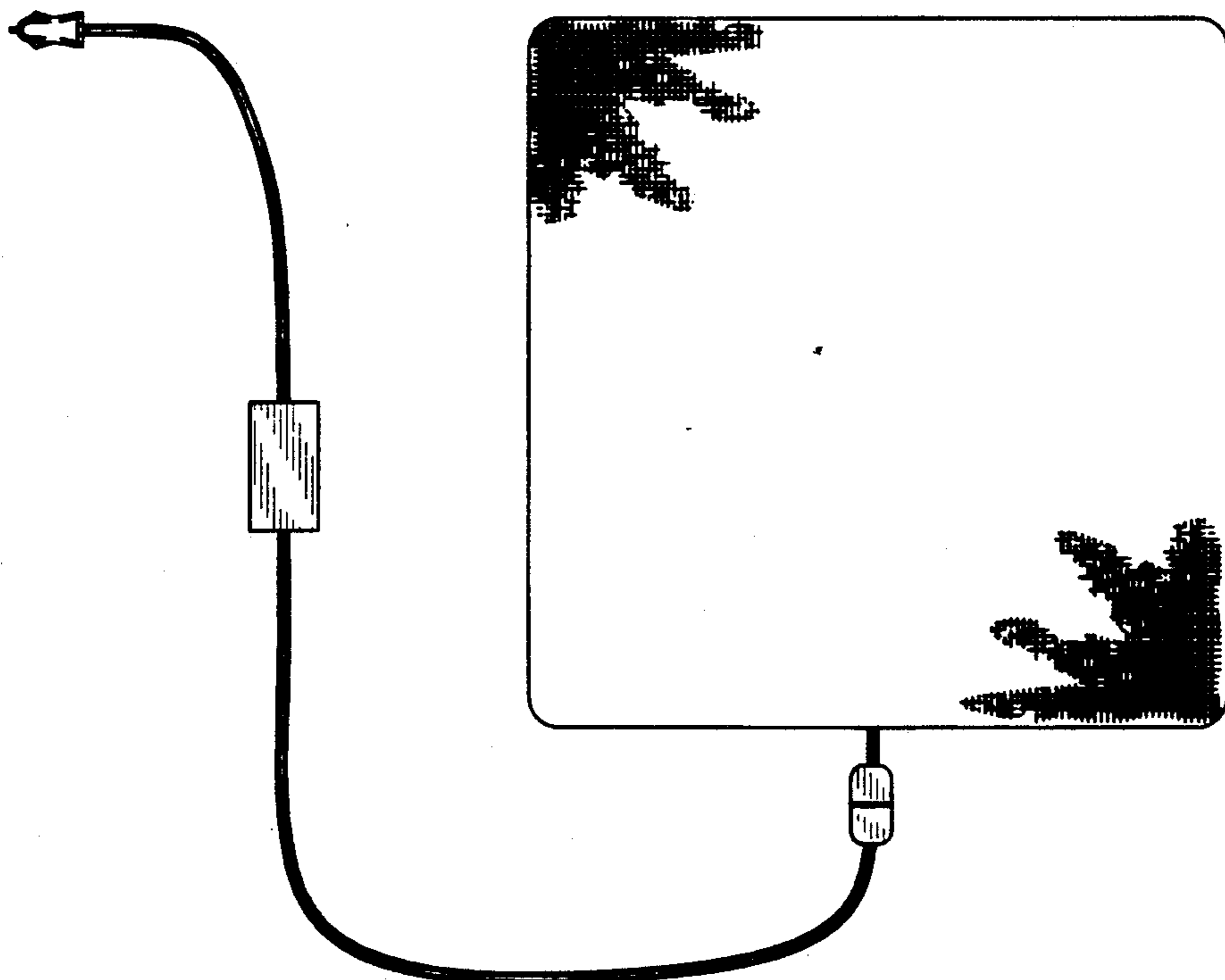


FIG. 3



FIG. 4



FIG. 5



FIG. 6



FIG. 7

