



US00D337466S

United States Patent [19]

[11] Patent Number: **Des. 337,466**

Moser

[45] Date of Patent: **** Jul. 20, 1993**

[54] PLATE RACK

[76] Inventor: **Julie D. Moser, 5025-B Swenson Rd., Deer Park, Wash. 99006**

[**] Term: **14 Years**

[21] Appl. No.: **723,510**

[22] Filed: **Jun. 28, 1991**

[52] U.S. Cl. **D6/570**

[58] Field of Search **D6/553, 567, 569-570, D6/466, 467, 468, 552; 211/41, 64, 60.1, 70.5, 70.6, 70.8**

[56] References Cited

U.S. PATENT DOCUMENTS

D. 164,503	9/1951	Kerr	D6/552 X
D. 224,487	8/1972	Robertson	D6/570 X
D. 241,107	8/1976	Ferrara, Jr.	D6/553 X
D. 317,993	7/1991	Grey	D6/553
D. 319,361	8/1991	Moser	D6/468
3,288,304	11/1966	Graves	211/64

OTHER PUBLICATIONS

Popular Science (Jun. 1980)—Plant Stand.

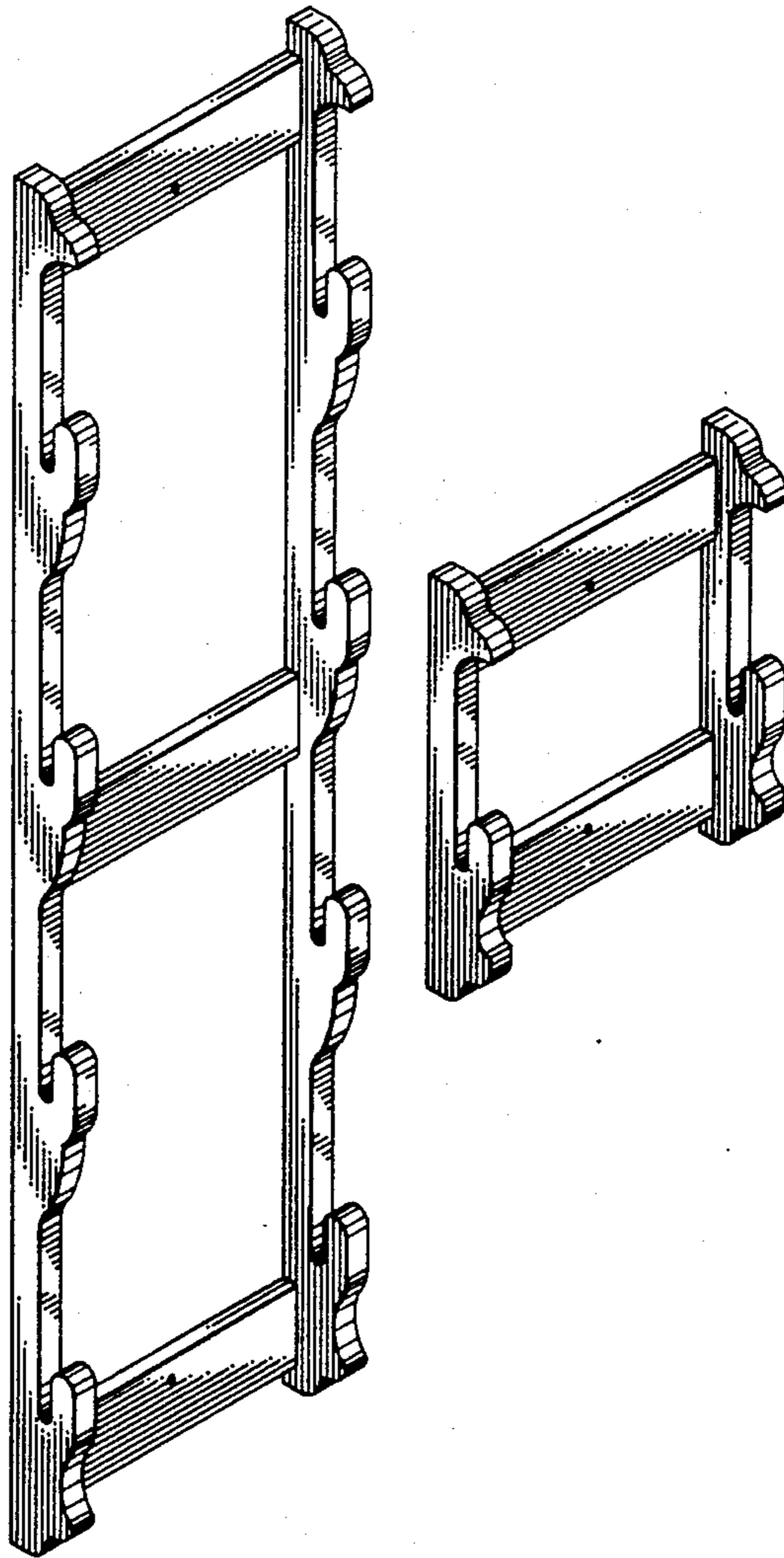
Primary Examiner—Brian N. Vinson
Attorney, Agent, or Firm—Wells, St. John, Roberts, Gregory & Matkin

[57] CLAIM

The ornamental design for a plate rack, as shown and described.

DESCRIPTION

FIG. 1 is a perspective view of a plate rack showing my new design;
FIG. 2 is a left side elevational view thereof, the right side being a mirror image thereof;
FIG. 3 is a front elevational view thereof;
FIG. 4 is a rear elevational view thereof;
FIG. 5 is a top plan view thereof;
FIG. 6 is a bottom plan view thereof; and,
FIG. 7 is a perspective side view of a second embodiment of the plate rack shown in FIG. 1; the opposite side being a mirror image thereof.



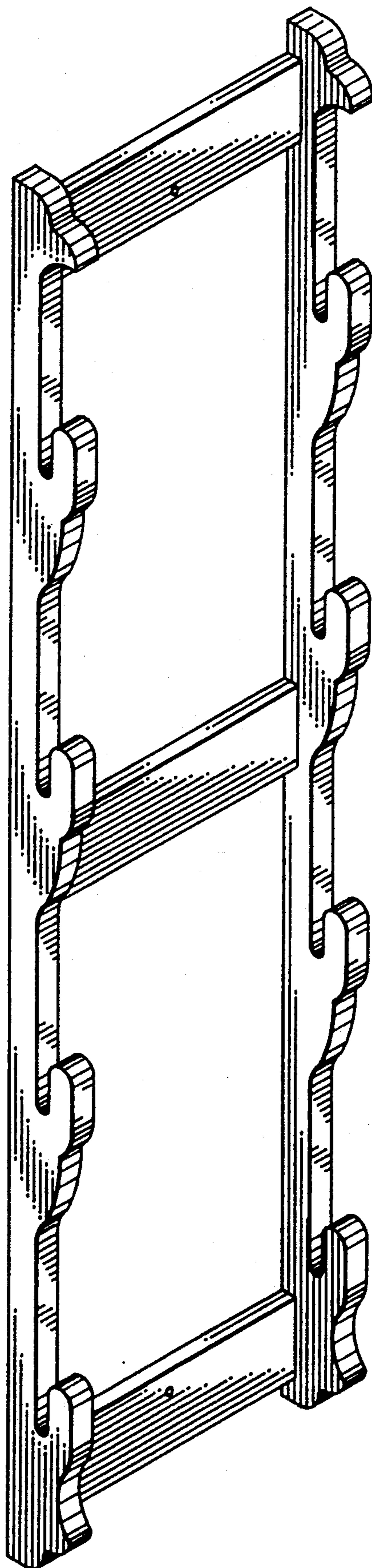
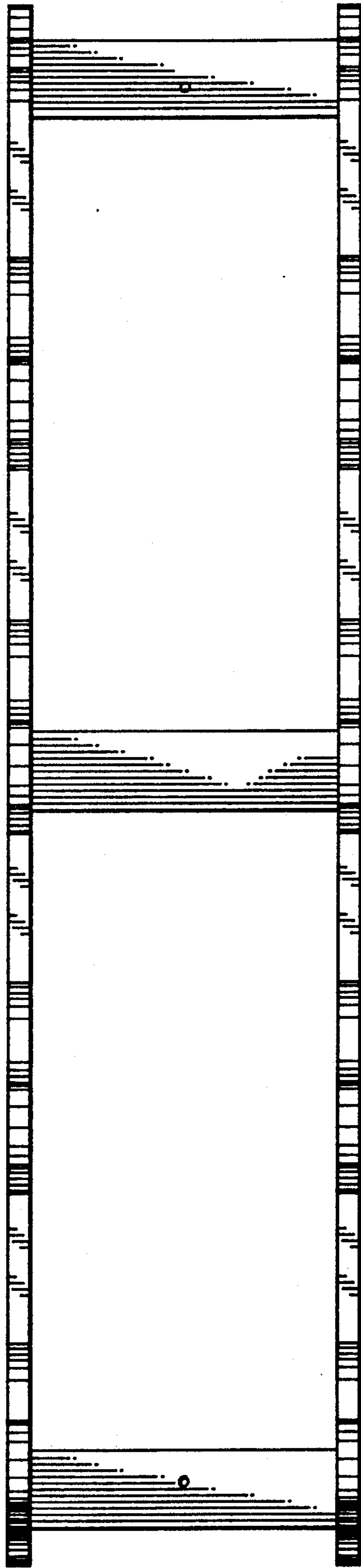


Fig. 1



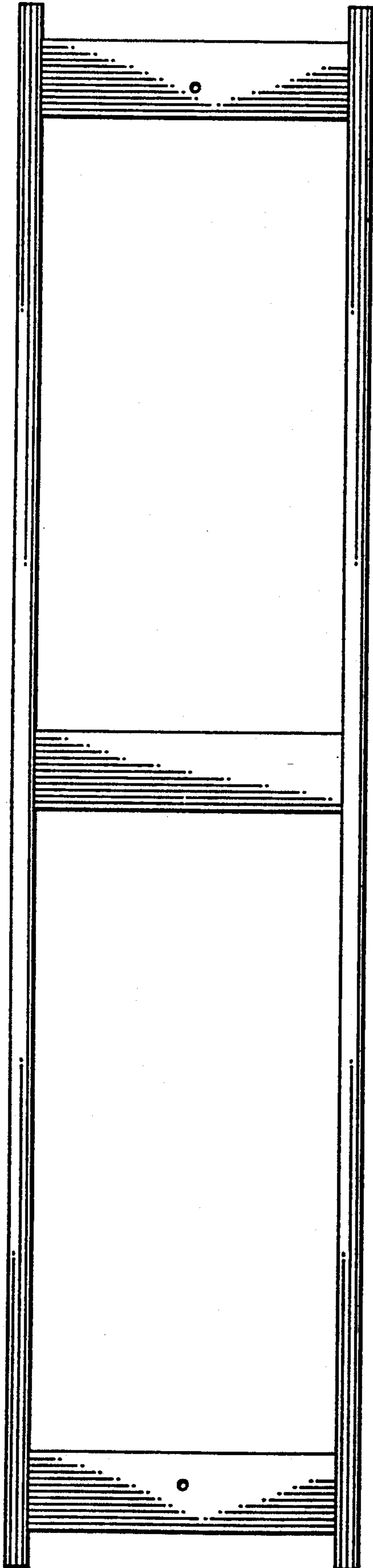


Fig. 4

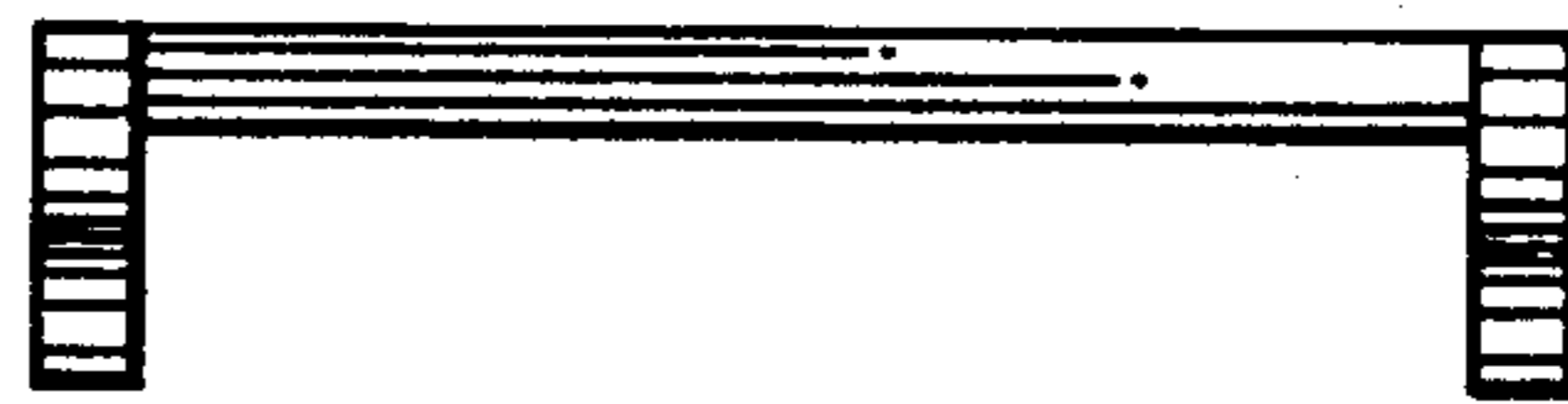


Fig. 5



Fig. 6

