



US00D337464S

United States Patent [19]

[11] Patent Number: **Des. 337,464**

Giugiaro

[45] Date of Patent: **** Jul. 20, 1993**

[54] **PAPER DISPENSER**

4,706,844 11/1987 Omdoll et al. D6/518 X
5,037,000 8/1991 Selame 221/303

[75] Inventor: **Girgetto Giugiaro, Turin, Italy**

Primary Examiner—Brian N. Vinson

[73] Assignee: **Molnlycke AB, Gothenburg, Sweden**

[57] **CLAIM**

[**] Term: **14 Years**

The ornamental design for a paper dispenser, as shown and described.

[21] Appl. No.: **776,738**

[22] Filed: **Oct. 15, 1991**

DESCRIPTION

[30] **Foreign Application Priority Data**

Apr. 15, 1991 [SE] Sweden 91-851

FIG. 1 is a bottom, front, and right side perspective view of a paper dispenser showing my new design;

[52] U.S. Cl. **D6/518**

FIG. 2 is a bottom and right side perspective view thereof;

[58] Field of Search D6/518-523;
206/233, 554, 820; 211/49.1, 50; 221/22, 33, 45,
282; 248/905

FIG. 3 is a top, front, and right side perspective view thereof, with the casing being shown pivoted to an open position;

[56] **References Cited**

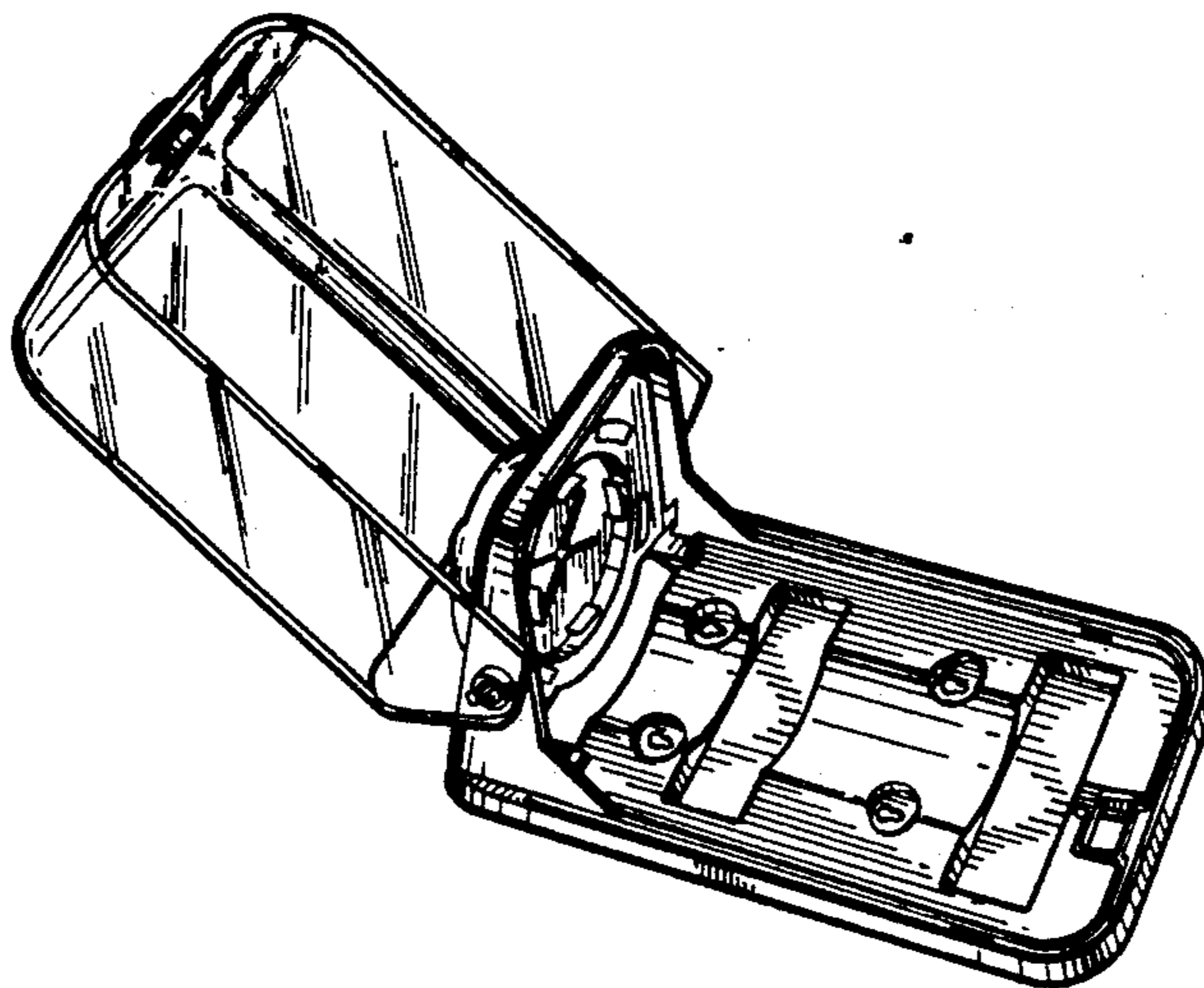
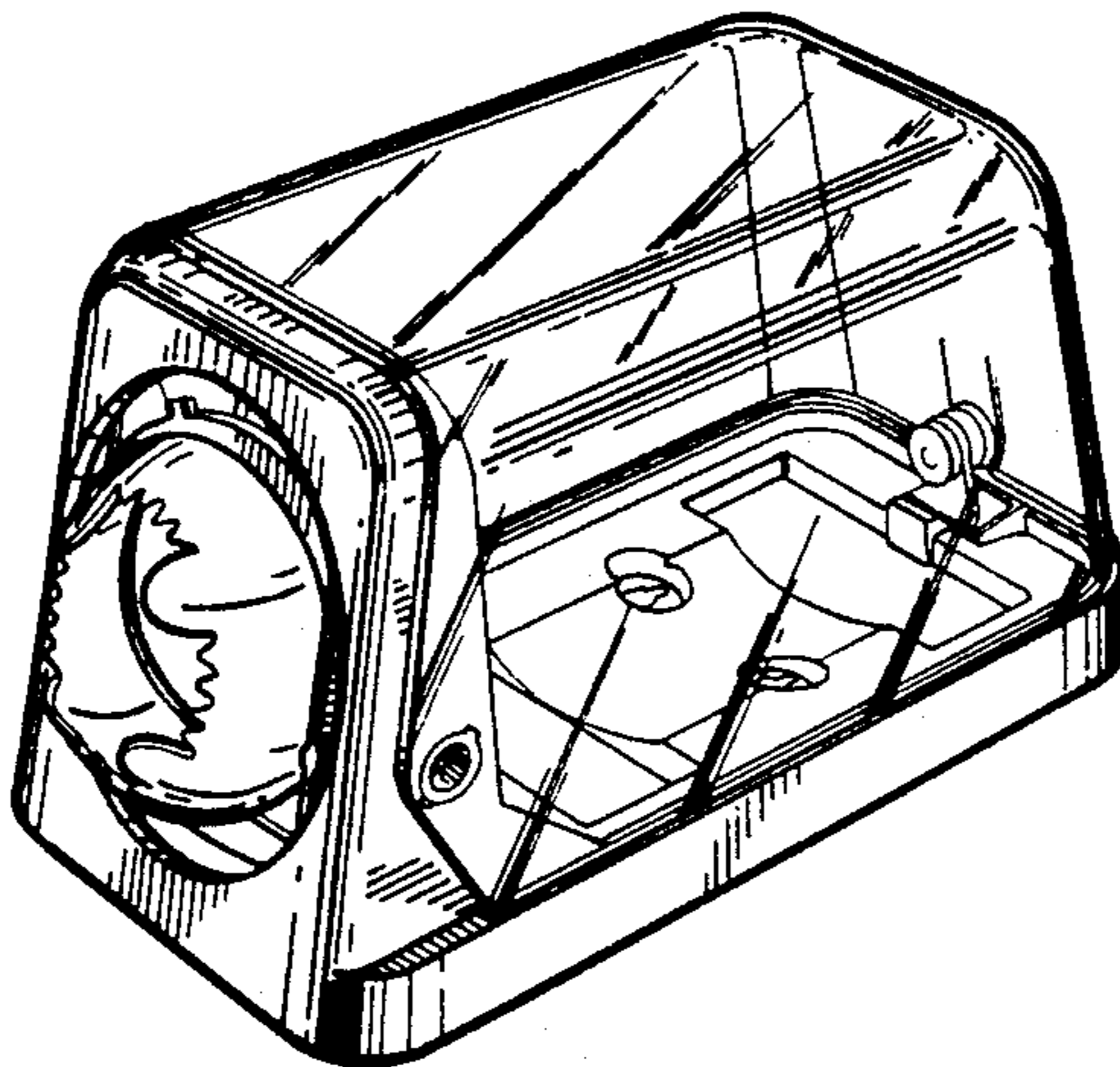
U.S. PATENT DOCUMENTS

D. 56,730 12/1920 Teall D6/522 X
D. 180,622 7/1957 Schwarz D6/518
D. 278,006 3/1985 Sjöstedt et al. D6/523
D. 316,200 4/1991 Dawson D6/518

FIG. 4 is an enlarged bottom plan view thereof;

FIG. 5 is a top, front, and left side perspective view of the wall-mounting portion thereof, with the casing omitted for clarity of illustration; and,

FIG. 6 is a bottom, rear, and right side perspective view of the casing portion thereof, with the wall-mounting portion omitted for clarity of illustration.



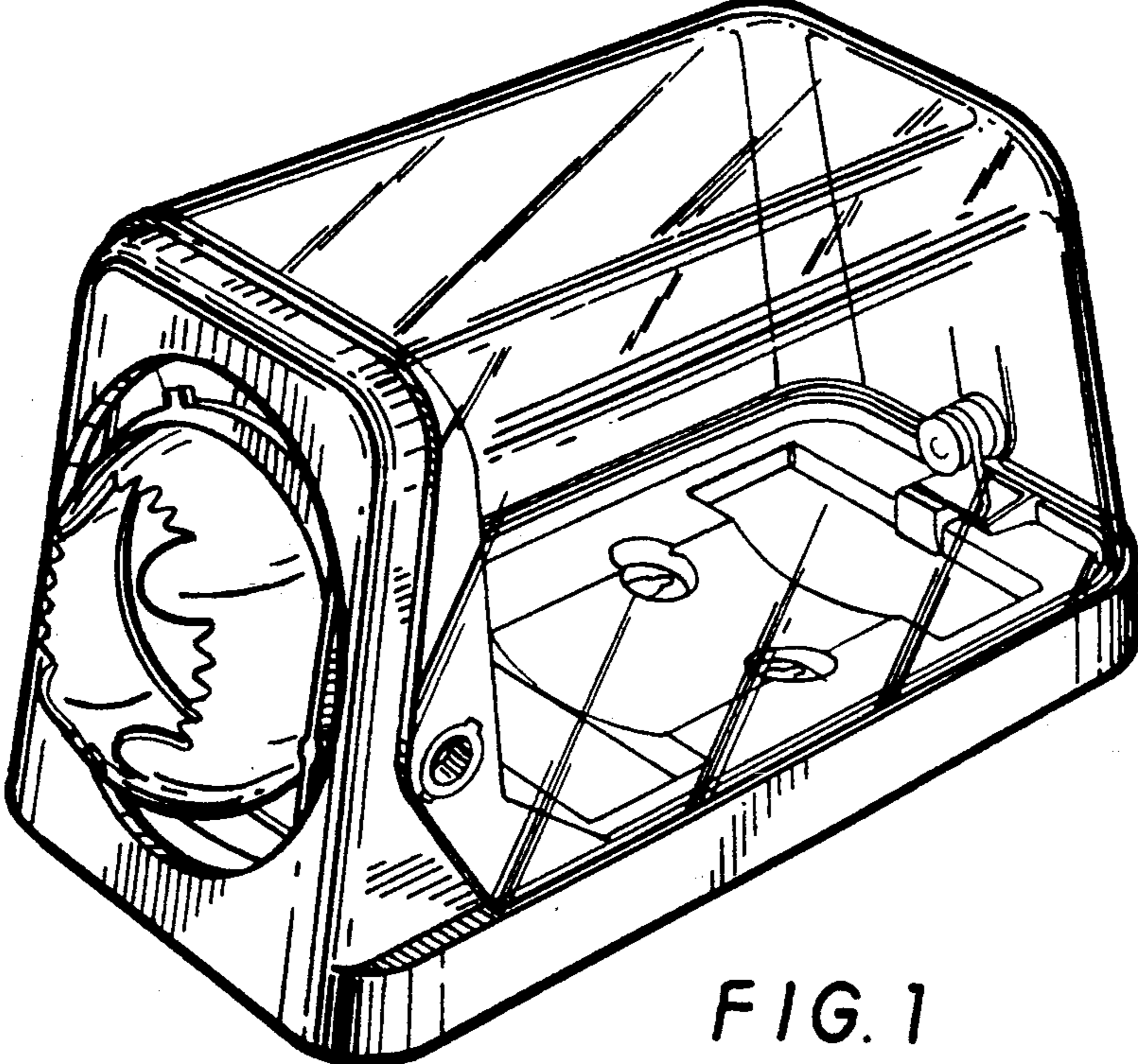


FIG. 1

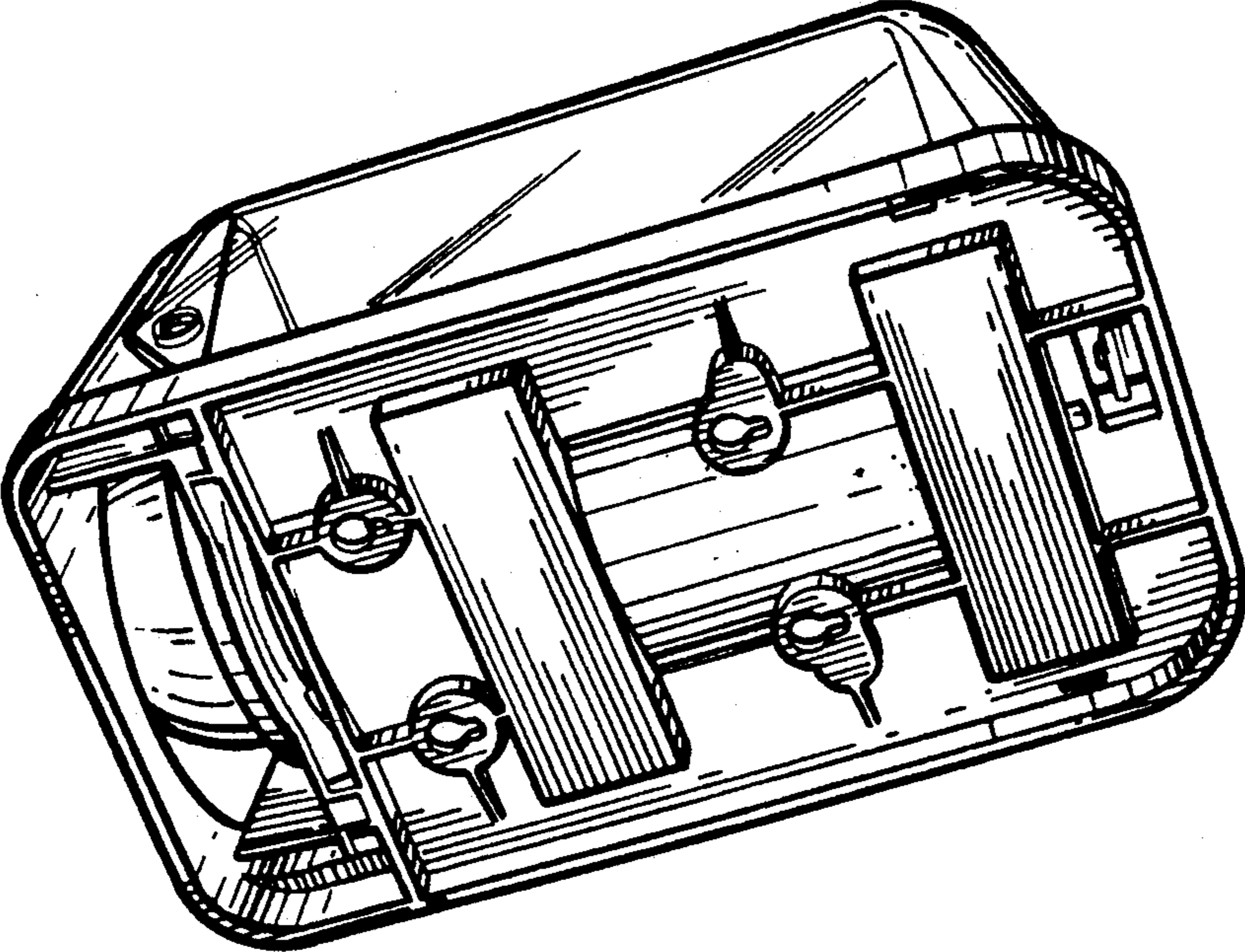


FIG. 2

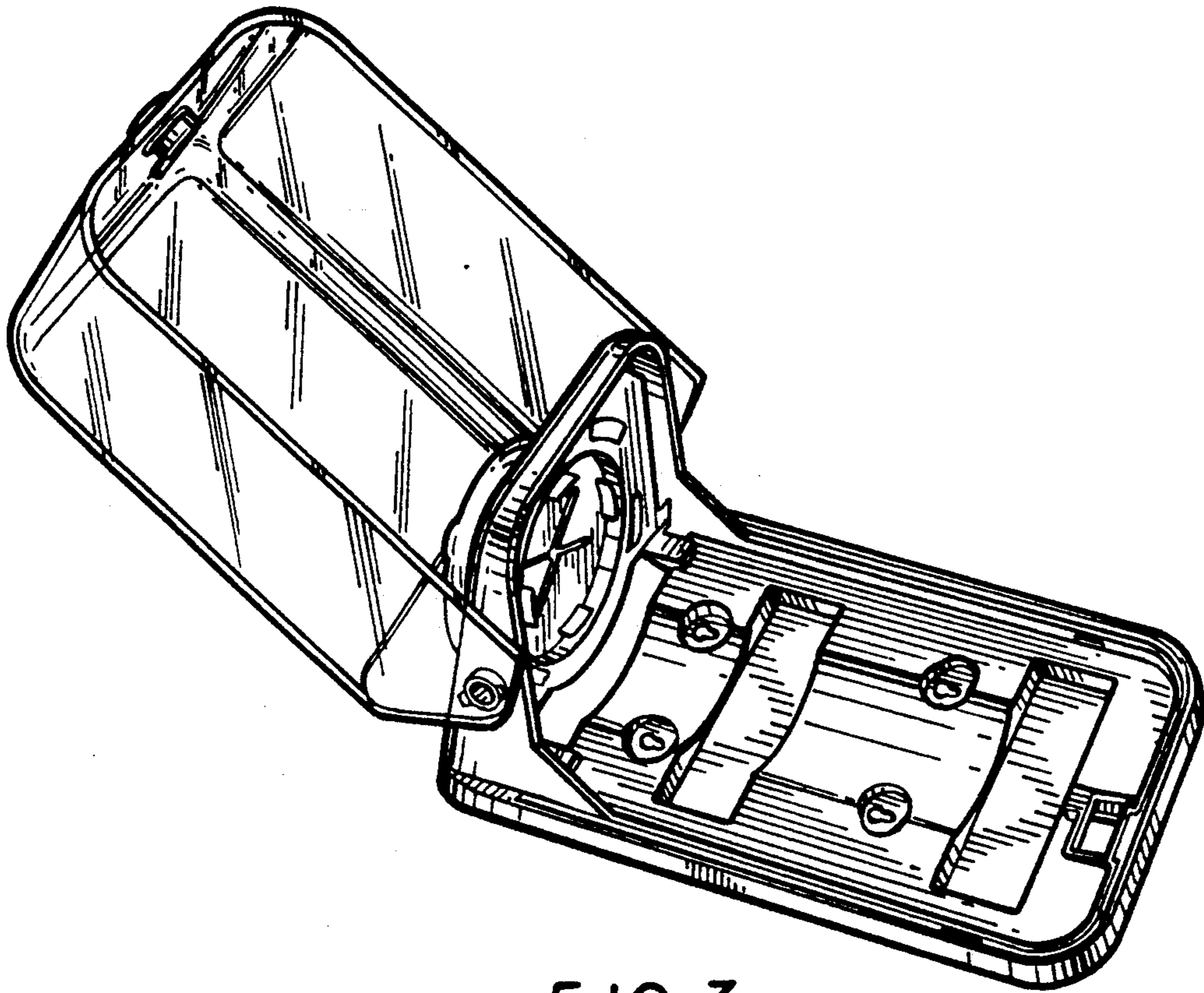


FIG. 3 .

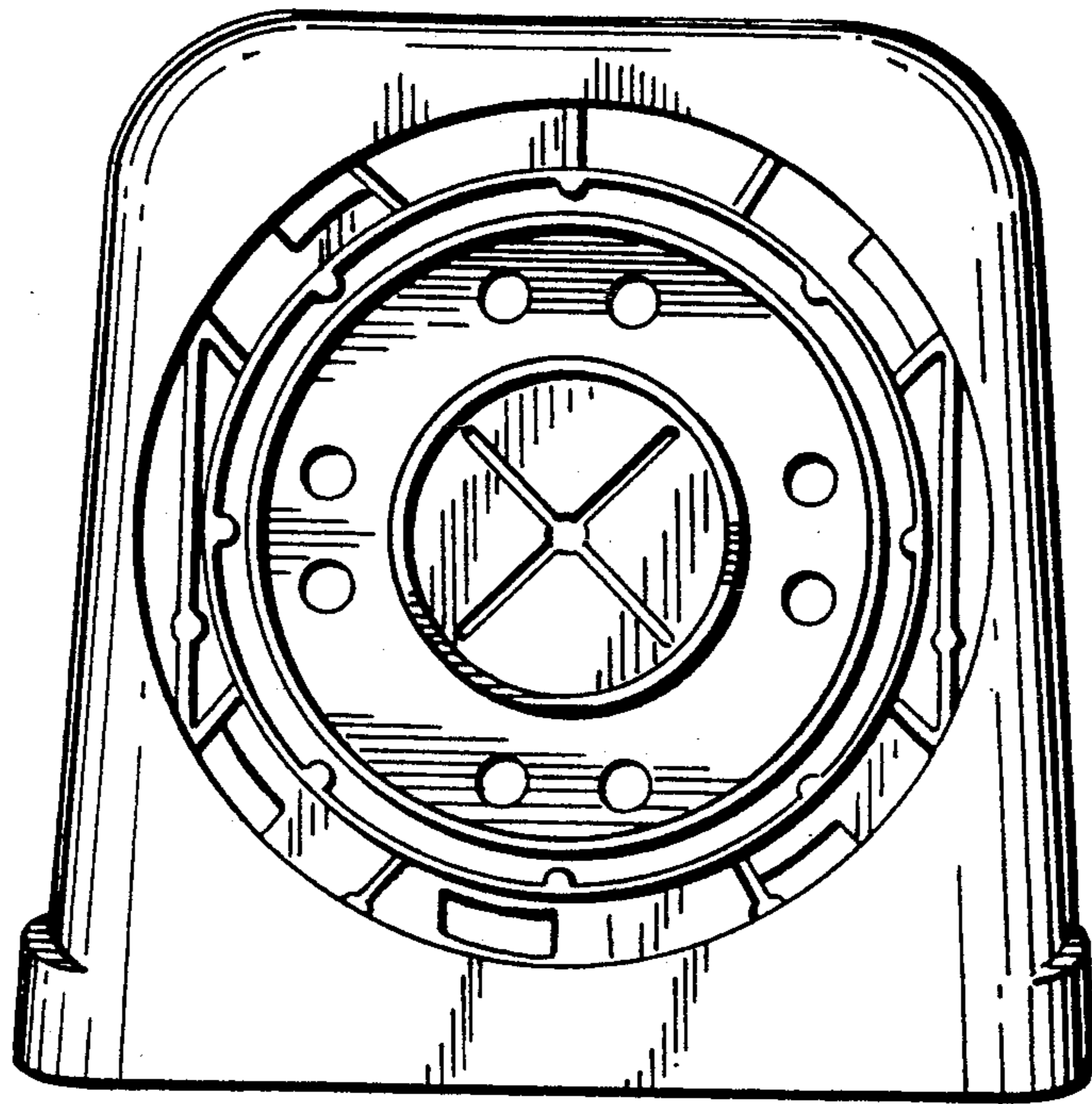


FIG. 4

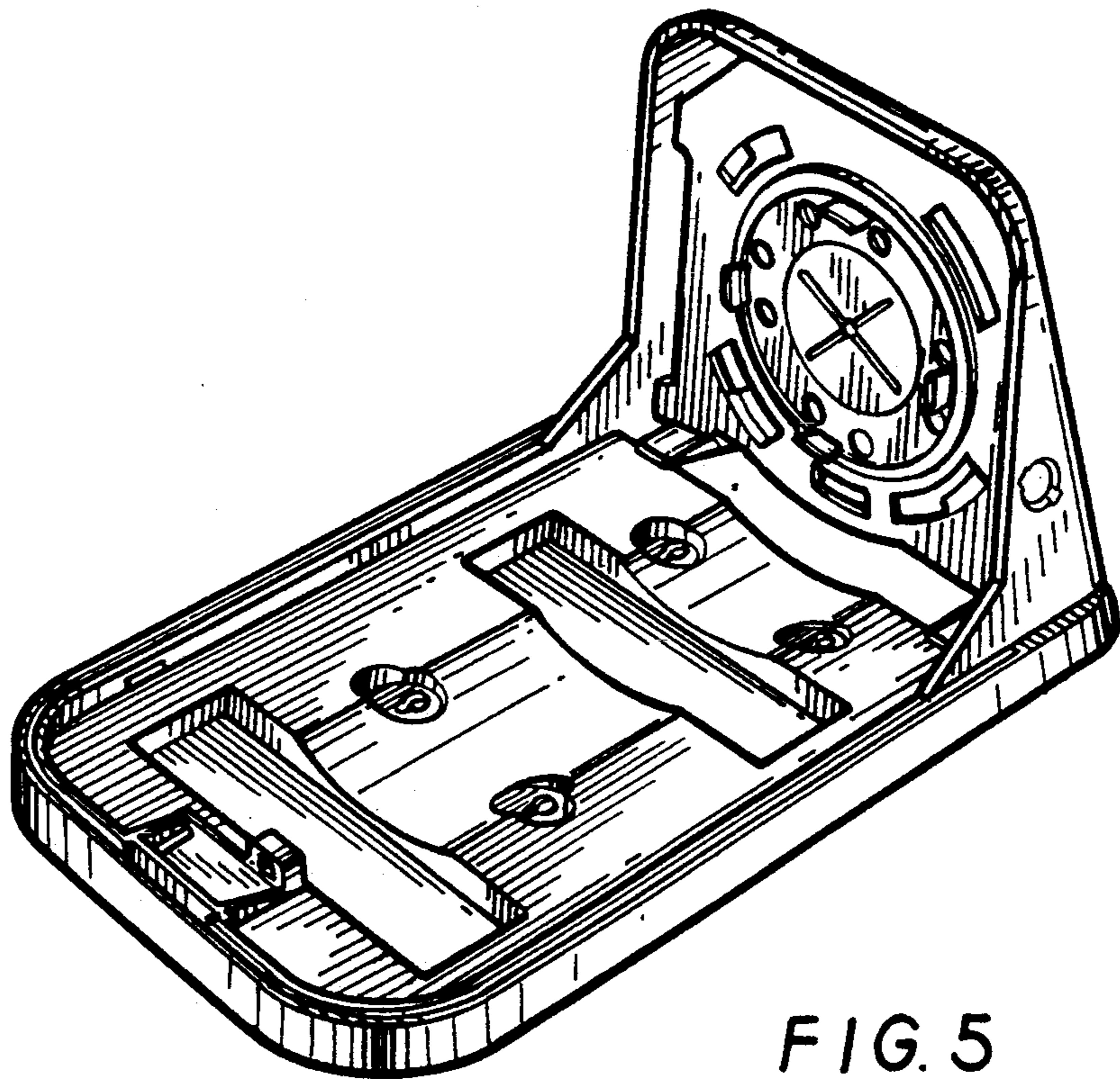


FIG. 5

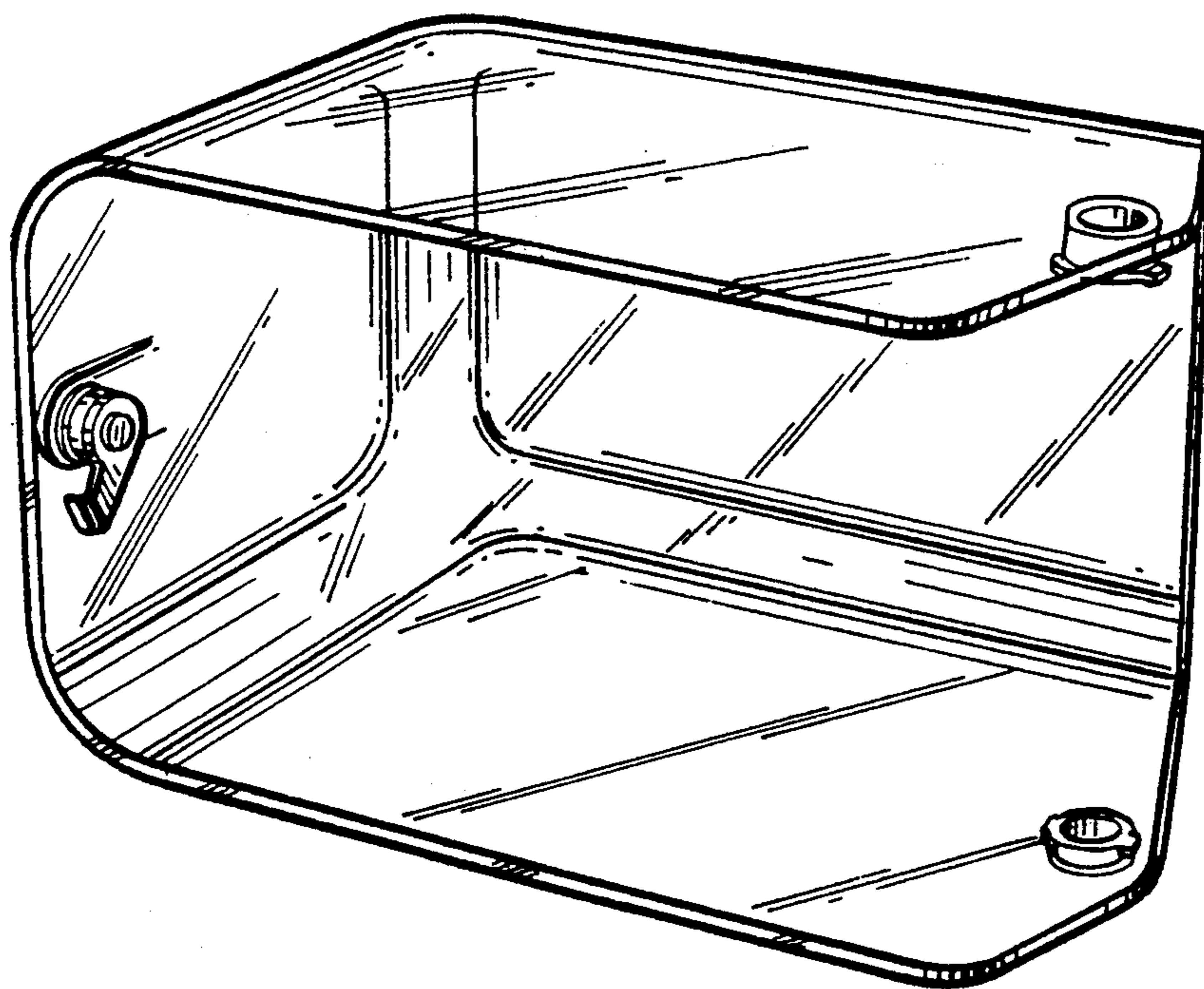


FIG. 6

UNITED STATES PATENT AND TRADEMARK OFFICE

CERTIFICATE OF CORRECTION

PATENT NO. : DES 337,464
DATED : July 20, 1993
INVENTOR(S) : Giorgetto Giugiaro

It is certified that error appears in the above-identified patent and that said Letters Patent *is* hereby corrected as shown below:

Title Page, item [75] should read as follows:

[75] Inventor: **Giorgetto Giugiaro, Turin, Italy**

Signed and Sealed this
Fifteenth Day of March, 1994

Attest:



BRUCE LEHMAN

Attesting Officer

Commissioner of Patents and Trademarks