



US00D337460S

United States Patent [19]

[11] Patent Number: **Des. 337,460**

Tannehill, II et al.

[45] Date of Patent: **** Jul. 20, 1993**

[54] **FLAG DISPLAY AND STORAGE CASE**

[76] Inventors: **James Tannehill, II; Robyn L. Tannehill**, both of 2835 Banderas La., Colorado Springs, Colo. 80917

[**] Term: **14 Years**

[21] Appl. No.: **722,242**

[22] Filed: **Jun. 26, 1991**

[52] U.S. Cl. **D6/470; D3/30.1; D6/559**

[58] Field of Search **D3/30.1, 66; D11/164, D11/157, 131, 181, 184; D6/470-472, 449, 559, 553; D9/430, 416; 116/173, 174; 206/216; 428/13, 14**

[56] **References Cited**

U.S. PATENT DOCUMENTS

D. 267,686 1/1983 Dawson D3/30.1 X

D. 310,454	9/1990	Beasley	D6/470
D. 315,323	3/1991	Bailey	D6/470 X
D. 318,198	7/1991	Francetic	D6/470
D. 323,257	1/1992	Cornwel	D6/470
4,879,145	11/1989	McLellau et al.	D3/30.1 X

Primary Examiner—Alan P. Douglas

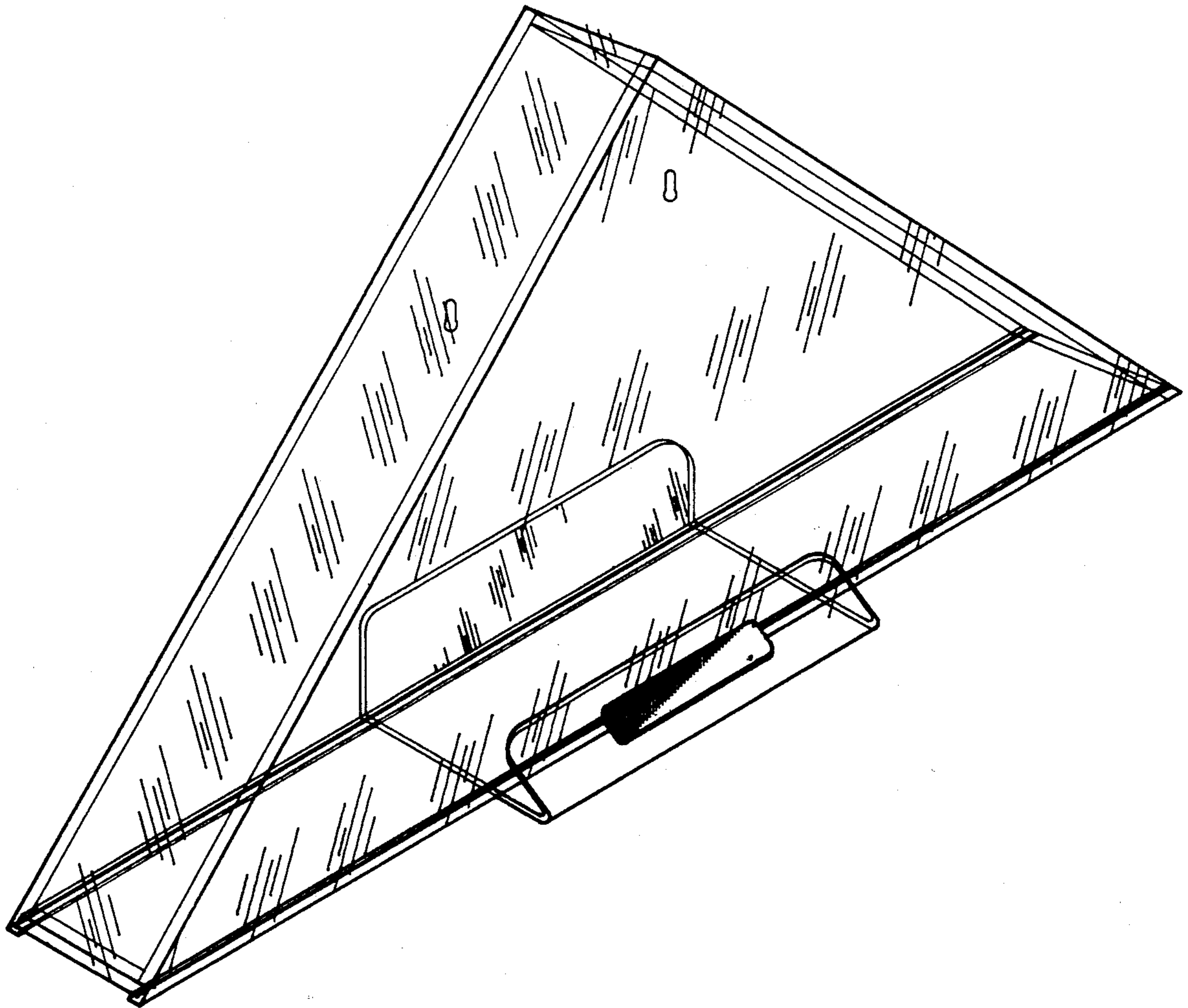
Assistant Examiner—Jeffrey Asch

[57] **CLAIM**

The ornamental design for a flag display and storage case, as shown.

DESCRIPTION

FIG. 1 is a front elevational view of a flag display and storage case showing our new design; FIG. 2 is a rear elevational view thereof; FIG. 3 is a top plan view thereof; FIG. 4 is a bottom plan view thereof; FIG. 5 is a left side elevational view thereof; FIG. 6 is a right side elevational view thereof; and, FIG. 7 is a perspective view thereof.



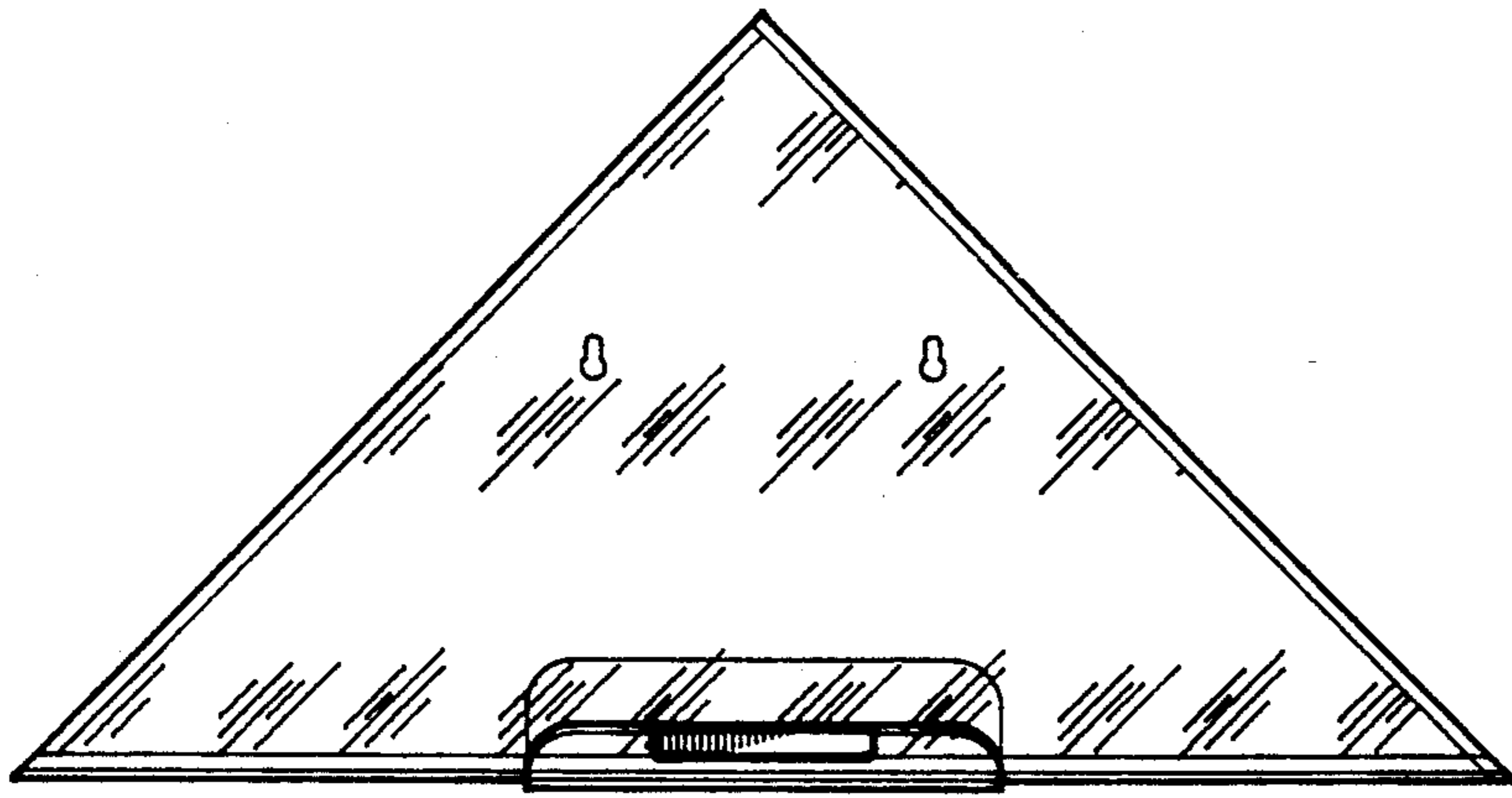


FIG. 1

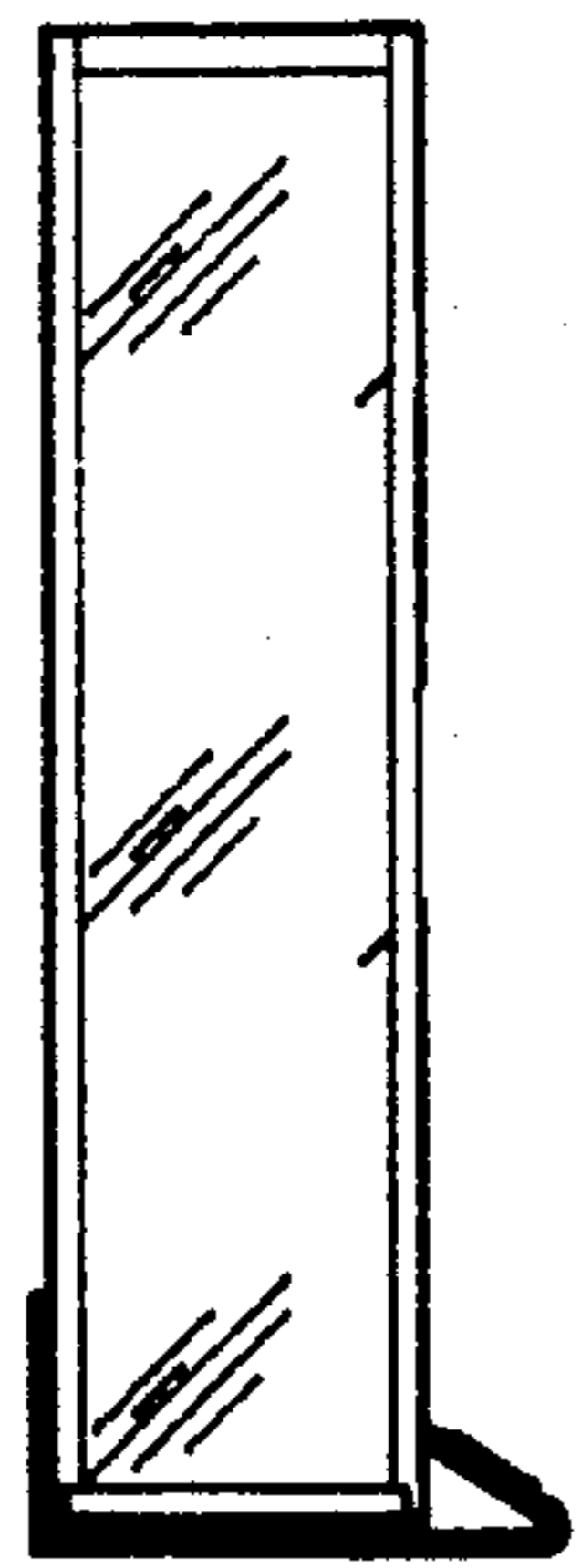


FIG. 5

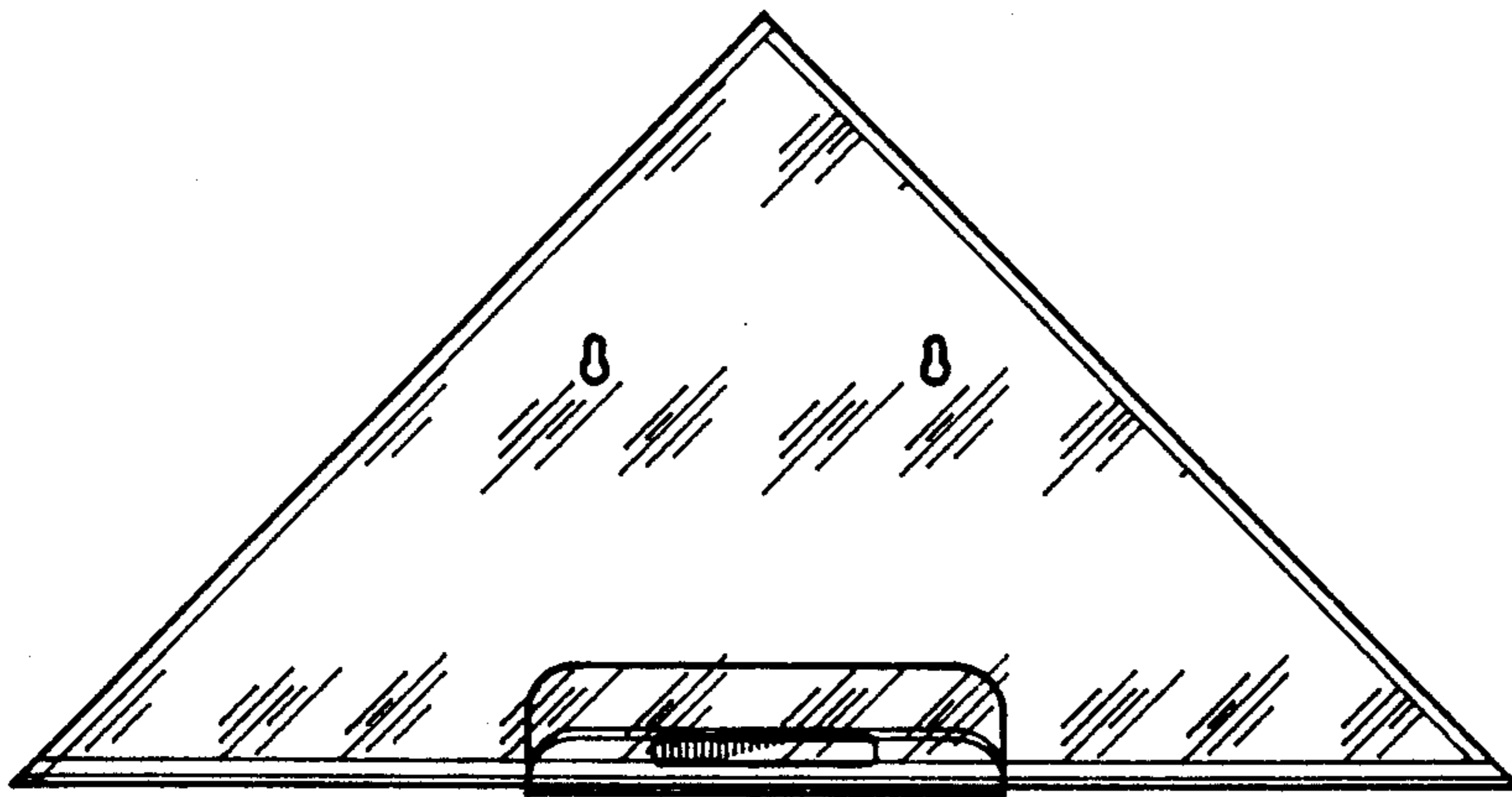


FIG. 2

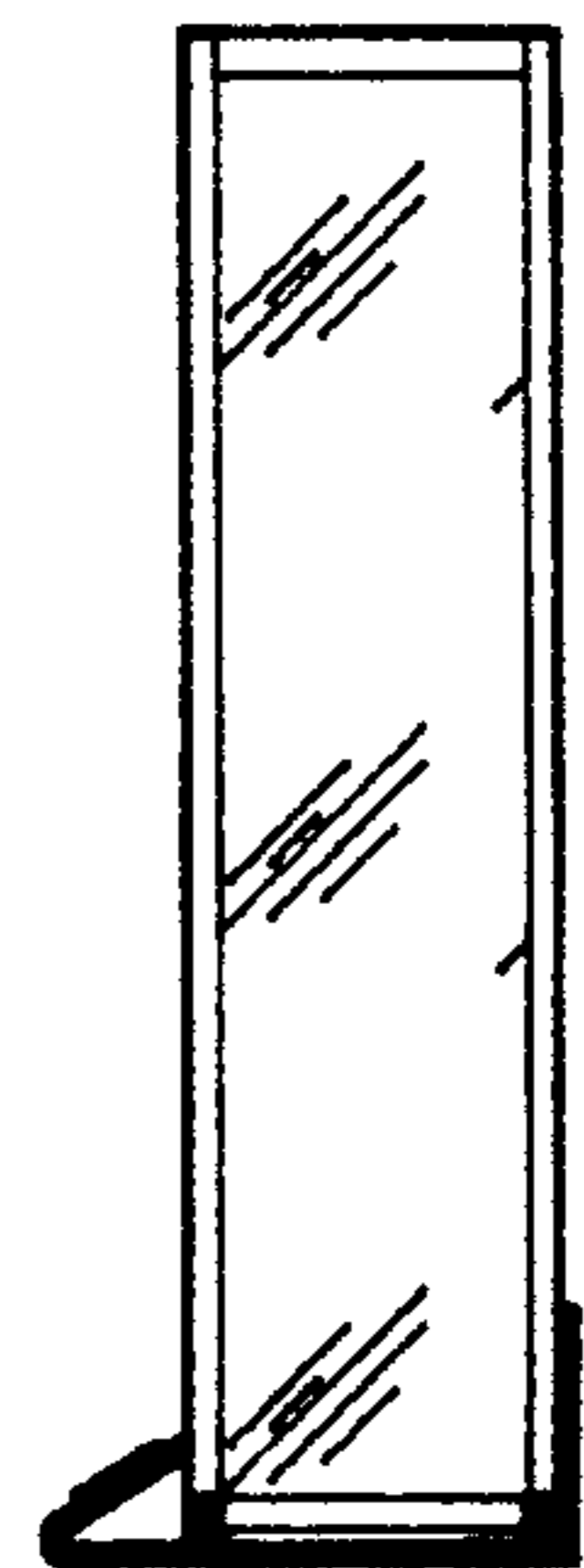


FIG. 6

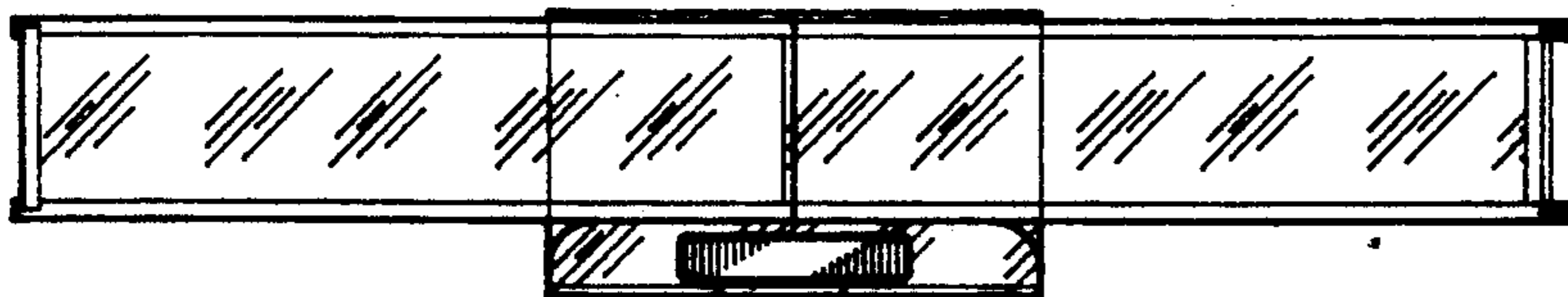


FIG. 3

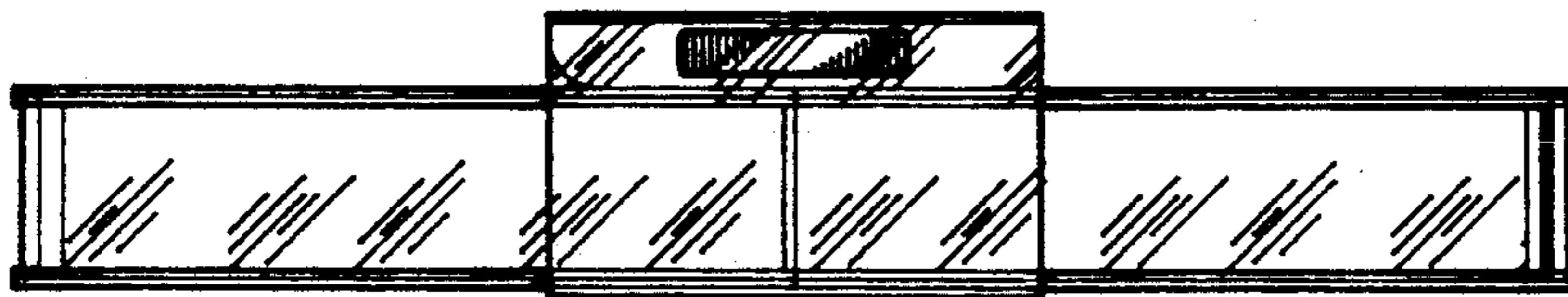


FIG. 4

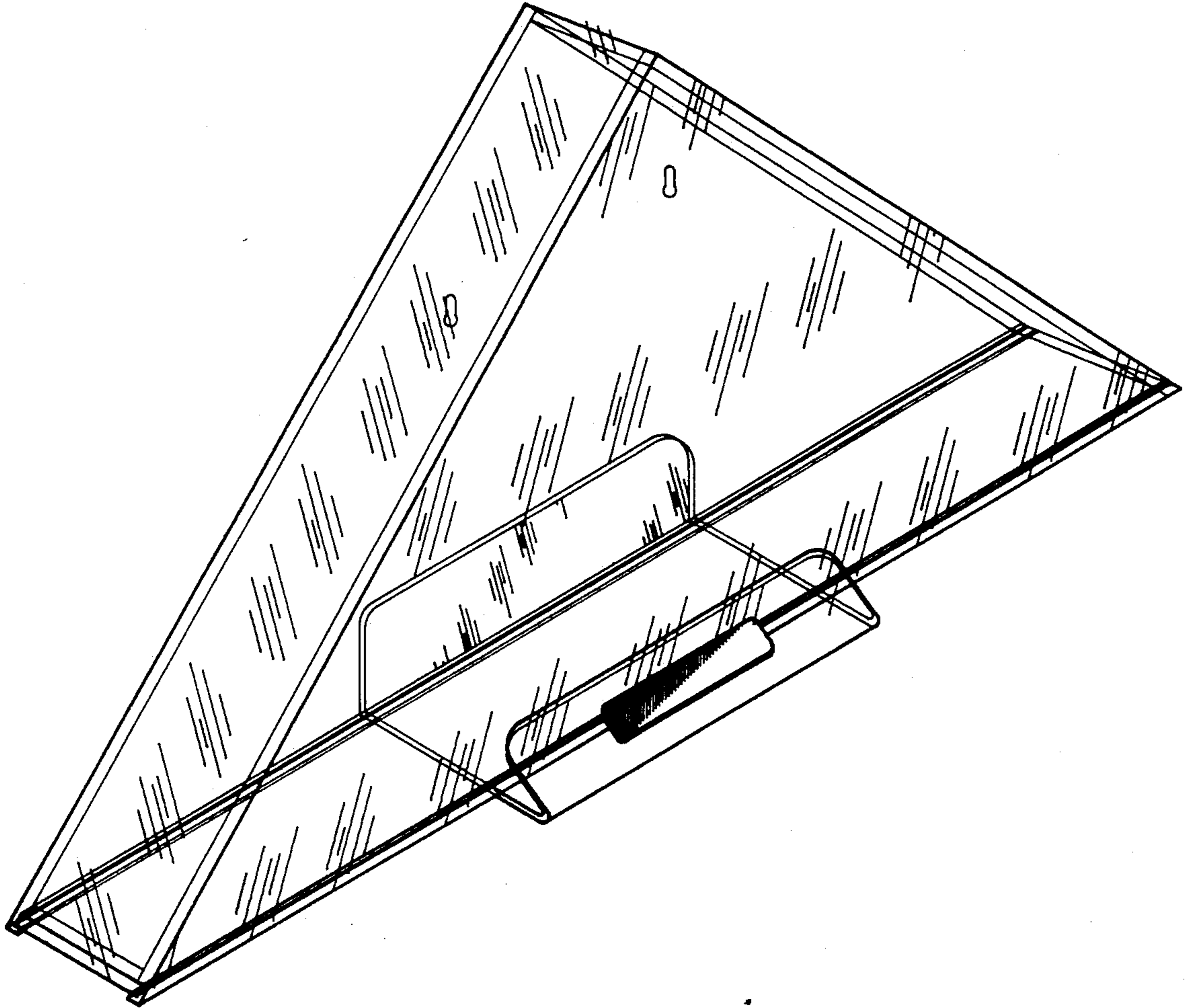


FIG. 7